



US00D629660S

(12) **United States Design Patent**  
**Holcomb**

(10) **Patent No.:** **US D629,660 S**

(45) **Date of Patent:** **\*\* Dec. 28, 2010**

(54) **SPOON**

(75) Inventor: **Christopher David Holcomb**, Sherrill,  
NY (US)

(73) Assignee: **Oneida, Ltd.**, Oneida, NY (US)

(\*\*) Term: **14 Years**

(21) Appl. No.: **29/335,914**

(22) Filed: **Apr. 24, 2009**

(51) **LOC (9) Cl.** ..... **07-03**

(52) **U.S. Cl.** ..... **D7/653; D7/401.2**

(58) **Field of Classification Search** ..... D7/368,  
D7/395, 401.2, 642-646, 649-654, 660-664,  
D7/669, 675-676, 683, 688-692, 695-696;  
30/137, 141-143, 147-150, 322-327, 329,  
30/340, 342-344; 416/70 R

See application file for complete search history.

(56) **References Cited**

**U.S. PATENT DOCUMENTS**

D110,647 S	*	7/1938	Petterson	.....	D7/653
D431,758 S	*	10/2000	Junko	.....	D7/653
D489,942 S	*	5/2004	Shane-Schuldt	.....	D7/653
D490,662 S	*	6/2004	Shane-Schuldt	.....	D7/653
D510,504 S	*	10/2005	Shane-Schuldt	.....	D7/653
D535,531 S	*	1/2007	Shane-Schuldt	.....	D7/653
D545,144 S	*	6/2007	Thompson	.....	D7/653

D554,444 S	*	11/2007	Ito	.....	D7/653
D572,091 S	*	7/2008	Holcomb	.....	D7/653
D575,594 S	*	8/2008	Richmond	.....	D7/653
D578,357 S	*	10/2008	Shane-Schuldt	.....	D7/653
D605,473 S	*	12/2009	Richmond	.....	D7/653
D613,129 S	*	4/2010	Holcomb	.....	D7/653

\* cited by examiner

*Primary Examiner*—Ricky Pham

(74) *Attorney, Agent, or Firm*—Marjama Muldoon Blasiak & Sullivan LLP

(57) **CLAIM**

The ornamental design for a spoon, as shown and described.

**DESCRIPTION**

FIG. 1 is a top plan view of a spoon, illustrating my new Design;

FIG. 2 is a right side view thereof, the left side view being a mirror image thereof;

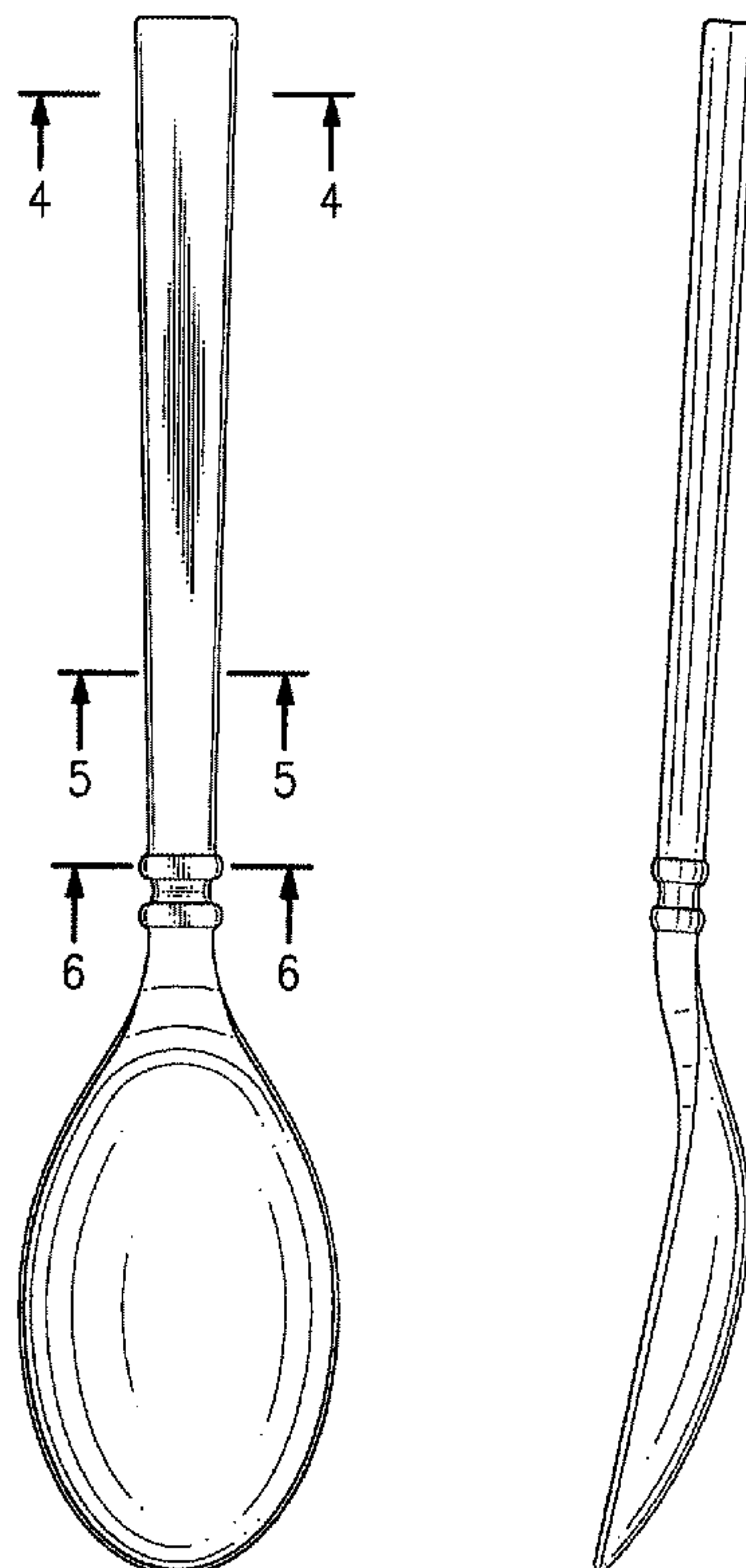
FIG. 3 is a bottom view thereof;

FIG. 4 is a cross-sectional view taken through line 4—4 of FIG. 1;

FIG. 5 is a cross-sectional view taken through line 5—5 of FIG. 1; and,

FIG. 6 is a cross-sectional view taken through line 6—6 of FIG. 1.

**1 Claim, 1 Drawing Sheet**



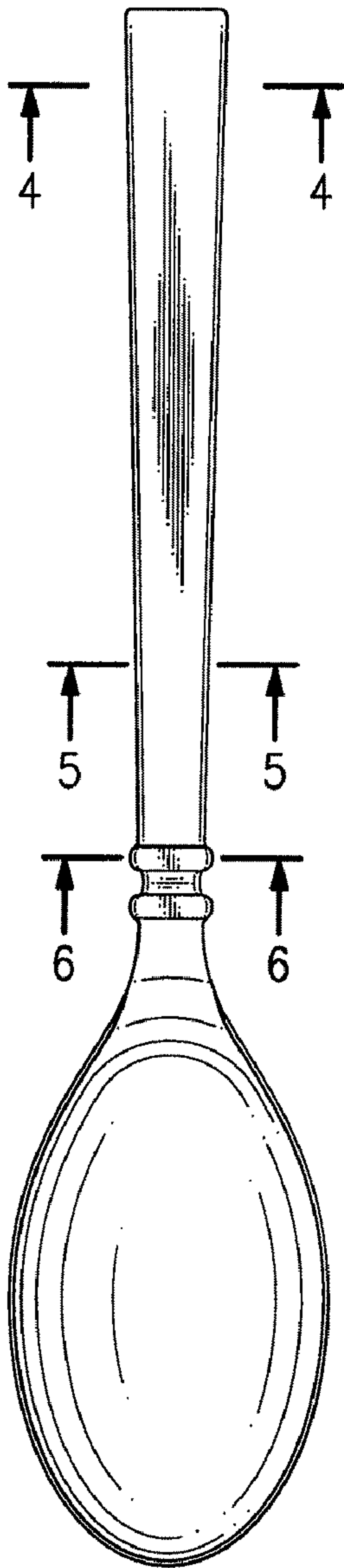


FIG. 1



FIG. 4

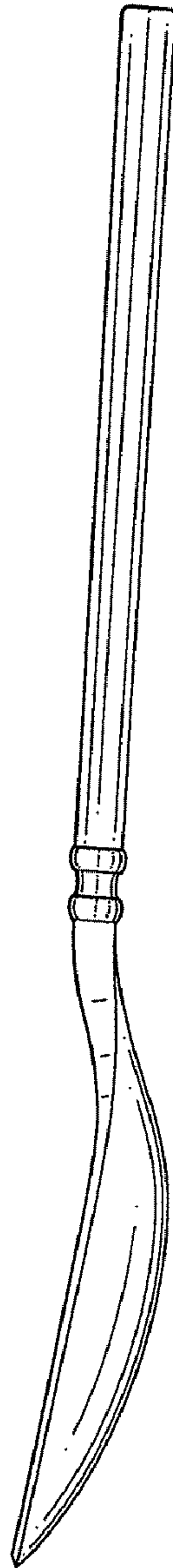


FIG. 2



FIG. 5

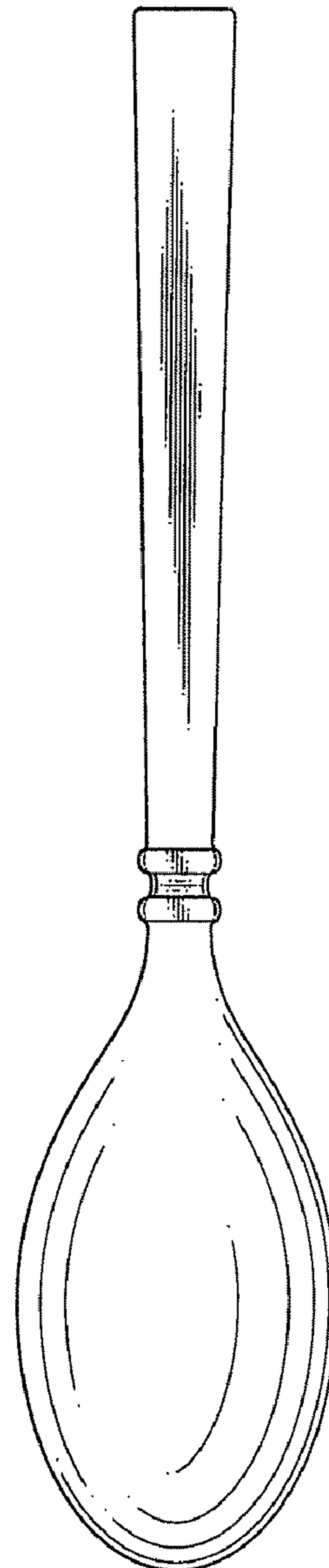


FIG. 3



FIG. 6