



US00D629653S

(12) **United States Design Patent**
Gullickson et al.

(10) **Patent No.:** **US D629,653 S**
(45) **Date of Patent:** **** Dec. 28, 2010**

(54) **WATER BOTTLE**

(76) Inventors: **Mark Gullickson**, 1018 Marine St., #8, Santa Monica, CA (US) 90405; **Erik R. Chin**, 1536 Champion Hills La., Las Vegas, NV (US) 89134; **Jeffrey A. Higashi**, 2815 Sepulveda Blvd., #10, Torrance, CA (US) 90505; **Tola I. Chin**, 1536 Champion Hills La., Las Vegas, NV (US) 89134

(**) Term: **14 Years**

(21) Appl. No.: **29/351,347**

(22) Filed: **Dec. 3, 2009**

(51) **LOC (9) Cl.** **07-01**

(52) **U.S. Cl.** **D7/510; D7/523; D7/511**

(58) **Field of Classification Search** D7/510, D7/505, 509, 624.2, 511, 523, 525, 619.1, D7/396.2, 900, 608, 507, 624.1, 529, 528; D9/716, 719, 516, 500, 549, 502, 504, 509, D9/529; 220/592.16, 592.17, 592.24, 737, 220/718, 739, 715, 288; 215/12.1; 219/387, 219/429; 229/403, 738, 739; 206/459.1

See application file for complete search history.

(56) **References Cited**

U.S. PATENT DOCUMENTS

590,336 A * 9/1897 Rossi 220/568

(Continued)

Primary Examiner—Rob Spear

Assistant Examiner—Cynthia Underwood

(74) *Attorney, Agent, or Firm*—Booth Udall, PLC; Steven J. Laureanti

(57) **CLAIM**

The ornamental design for a water bottle, as shown and described.

DESCRIPTION

FIG. 1 is a perspective view of the present invention;

FIG. 2 is a front view of the present invention;

FIG. 3 is a ride side view of the present invention;

FIG. 4 is a left side view of the present invention;

FIG. 5 is a back side view of the present invention;

FIG. 6 is a top view of the present invention; and

FIG. 7 is a bottom view of the present invention;

FIG. 8 is a perspective view of an alternate embodiment of the present invention;

FIG. 9 is a front view of an alternate embodiment of the present invention;

FIG. 10 is a ride side view of an alternate embodiment of the present invention;

FIG. 11 is a left side view of an alternate embodiment of the present invention;

FIG. 12 is a back side view of an alternate embodiment of the present invention;

FIG. 13 is a top view of an alternate embodiment of the present invention;

FIG. 14 is a bottom view of an alternate embodiment of the present invention;

FIG. 15 is a perspective view of another alternate embodiment of the present invention;

FIG. 16 is a front view of another alternate embodiment of the present invention;

FIG. 17 is a ride side view of another alternate embodiment of the present invention;

FIG. 18 is a left side view of another alternate embodiment of the present invention;

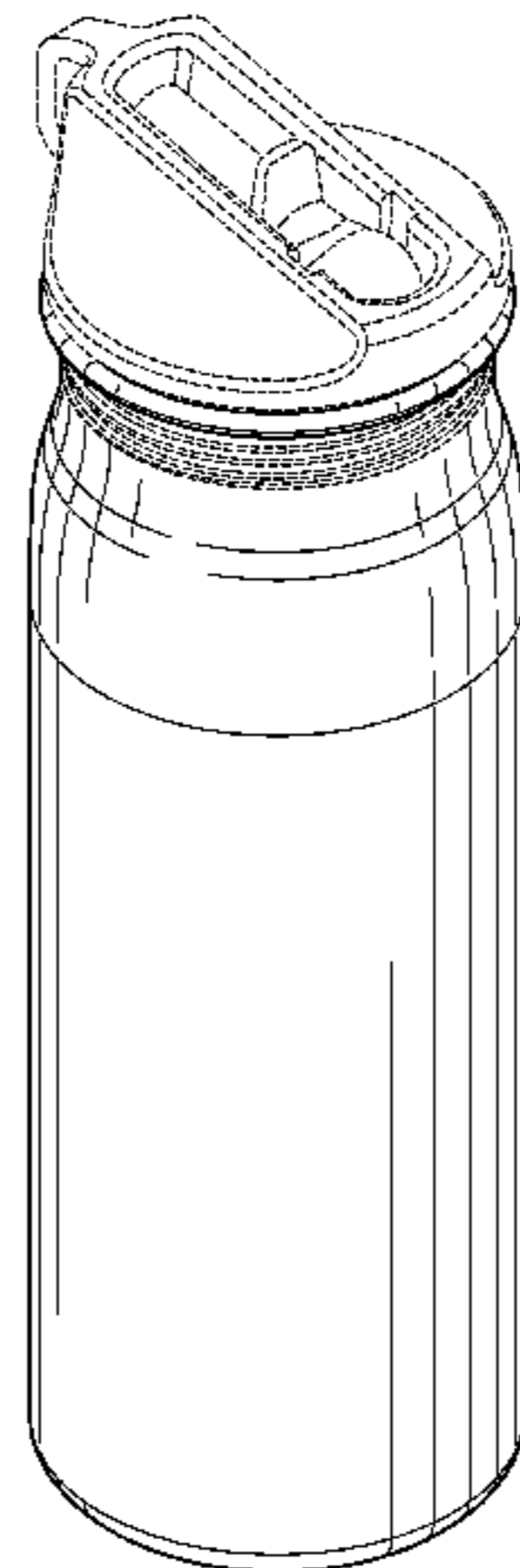
FIG. 19 is a back side view of another alternate embodiment of the present invention;

FIG. 20 is a top view of another alternate embodiment of the present invention; and,

FIG. 21 is a bottom view of another alternate embodiment of the present invention.

The broken lines in all Figures immediately adjacent the solid lines represent the bounds of the claim, and the broken lines and the area within the broken lines represent unclaimed portions of the present invention. None of the broken lines form a part of the claimed design.

1 Claim, 12 Drawing Sheets



US D629,653 S

Page 2

U.S. PATENT DOCUMENTS

1,749,313	A	*	3/1930	Burtchaell	215/11.1			
D224,646	S	*	8/1972	Vollquartz	D9/549			
4,717,037	A	*	1/1988	van der Meulen	220/703			
D300,495	S	*	4/1989	Minuti	D7/608			
D353,204	S	*	12/1994	Neff et al.	D24/197			
D403,426	S	*	12/1998	Fiaschetti	D24/197			
5,890,619	A	*	4/1999	Belanger	220/713			
D500,952	S	*	1/2005	Moore	D9/600			
D528,921	S	*	9/2006	Leoncavallo et al.	D9/530			
D534,396	S	*	1/2007	Kramer	D7/532			
D548,082	S	*	8/2007	Kingsley	D9/500			
D549,833	S	*	8/2007	Brown et al.	D24/197			
D556,576	S	*	12/2007	Webb	D9/500			
D557,560	S	*	12/2007	Wahl	D7/510			
D587,069	S	*	2/2009	Bodum	D7/510			
D614,918	S	*	5/2010	Chisholm	D7/510			
D619,417	S	*	7/2010	Goto et al.	D7/510			

* cited by examiner

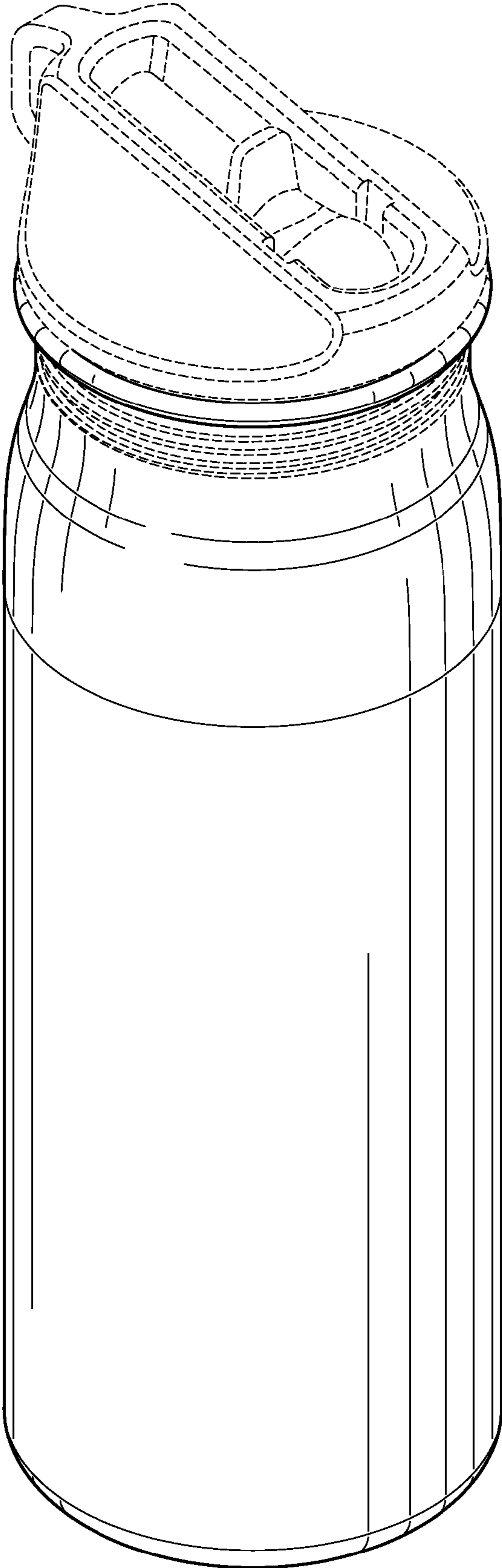


FIG. 1

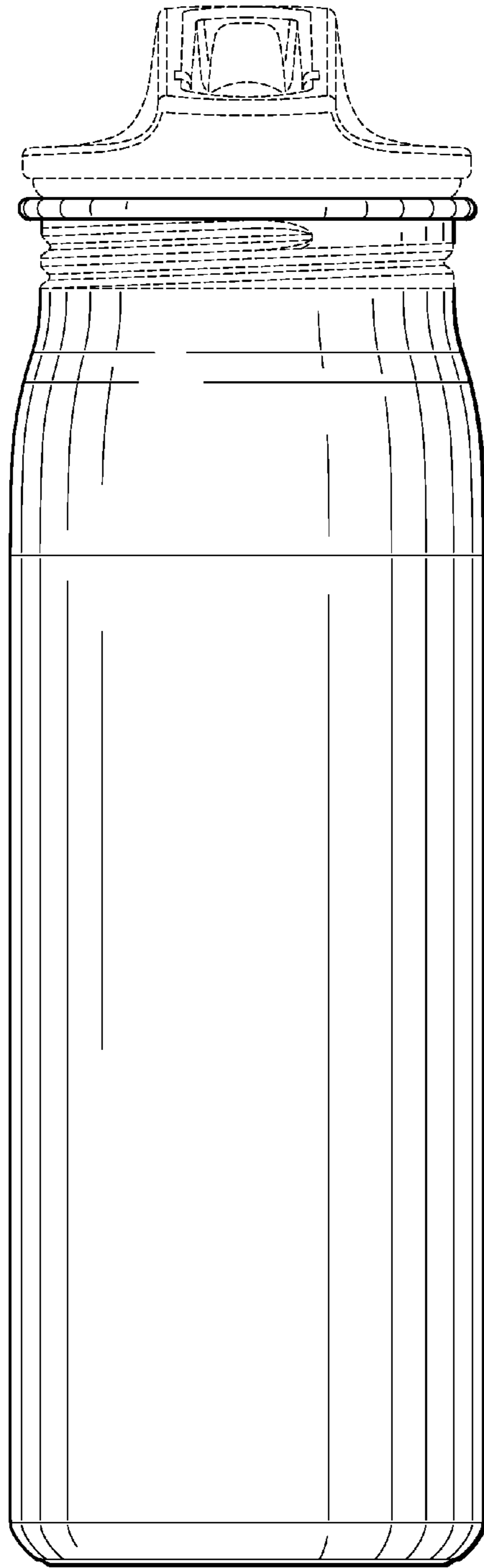


FIG. 2

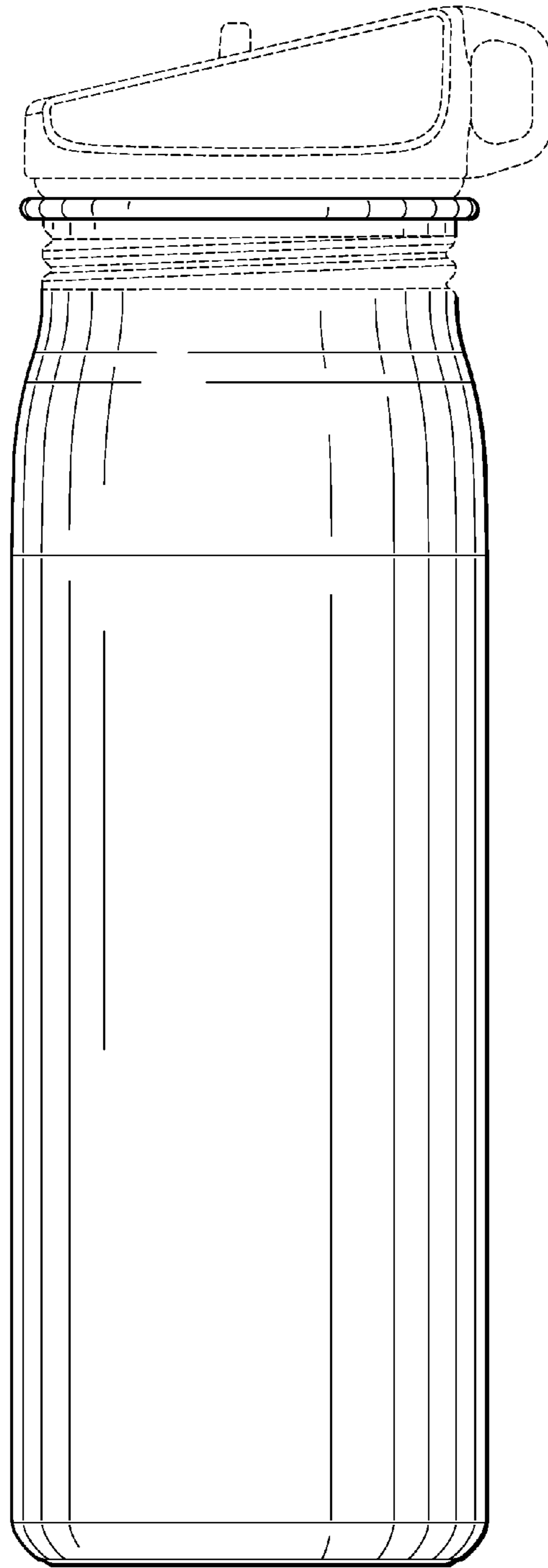


FIG. 3

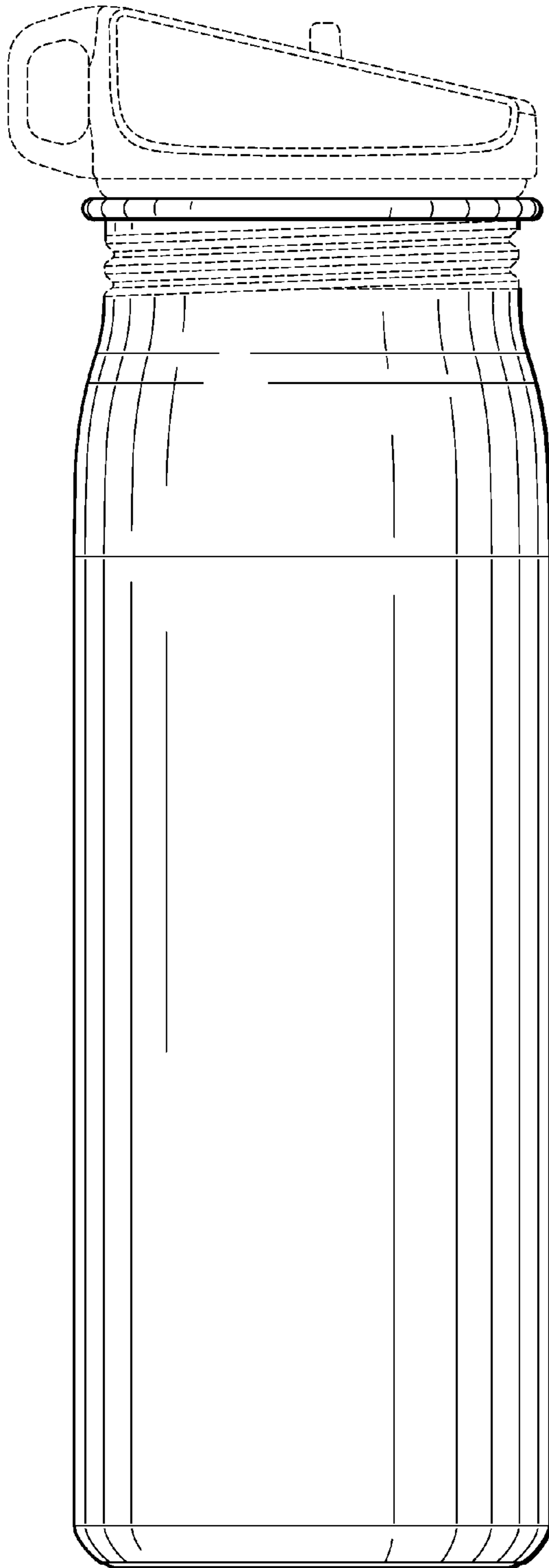


FIG. 4

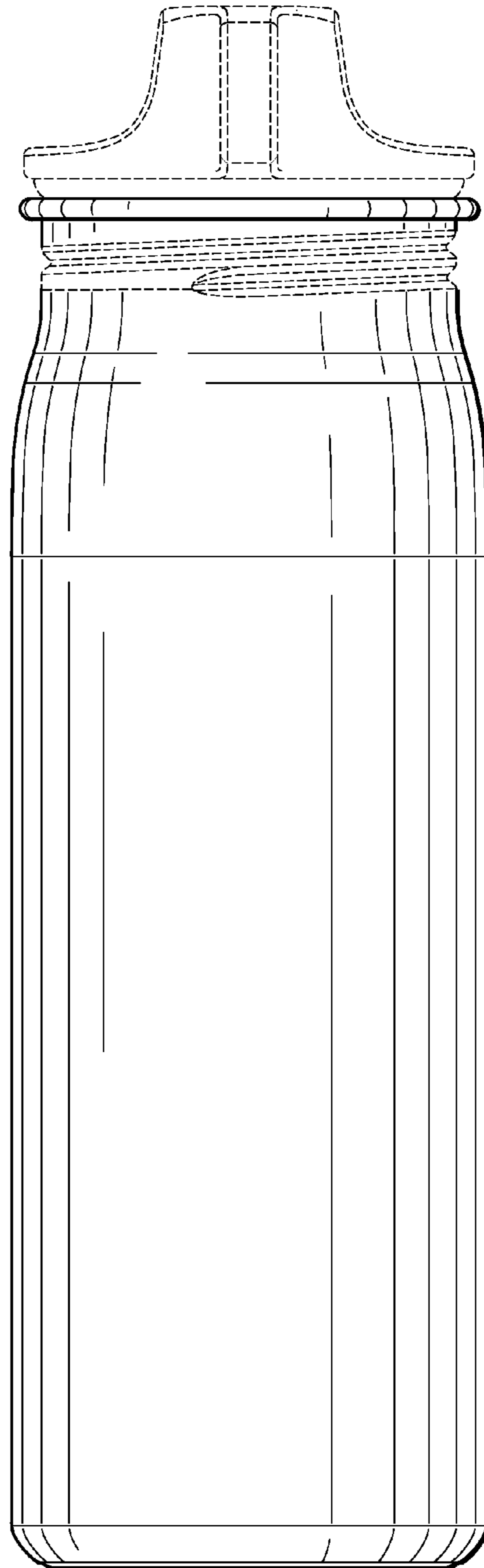


FIG. 5

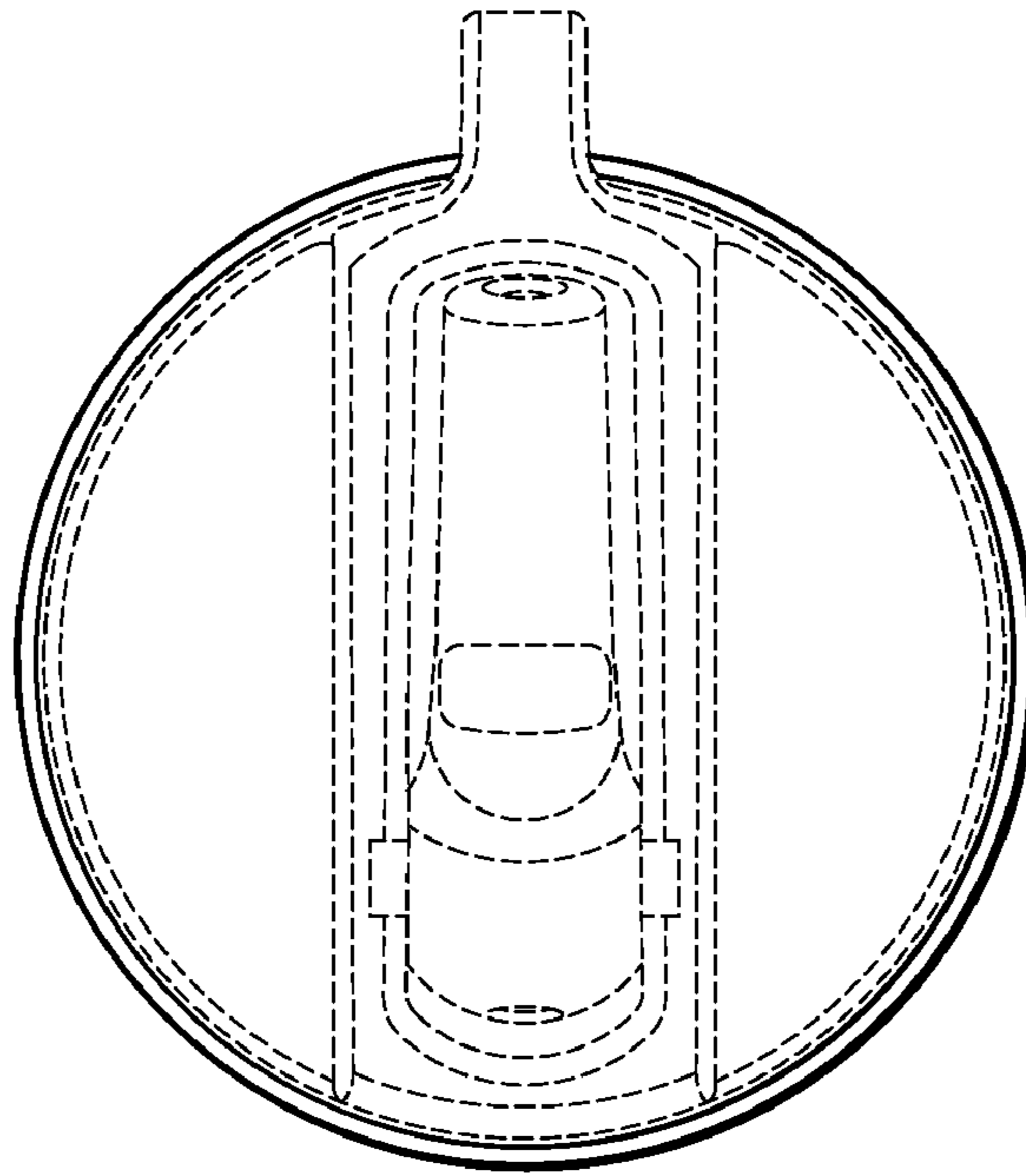


FIG. 6

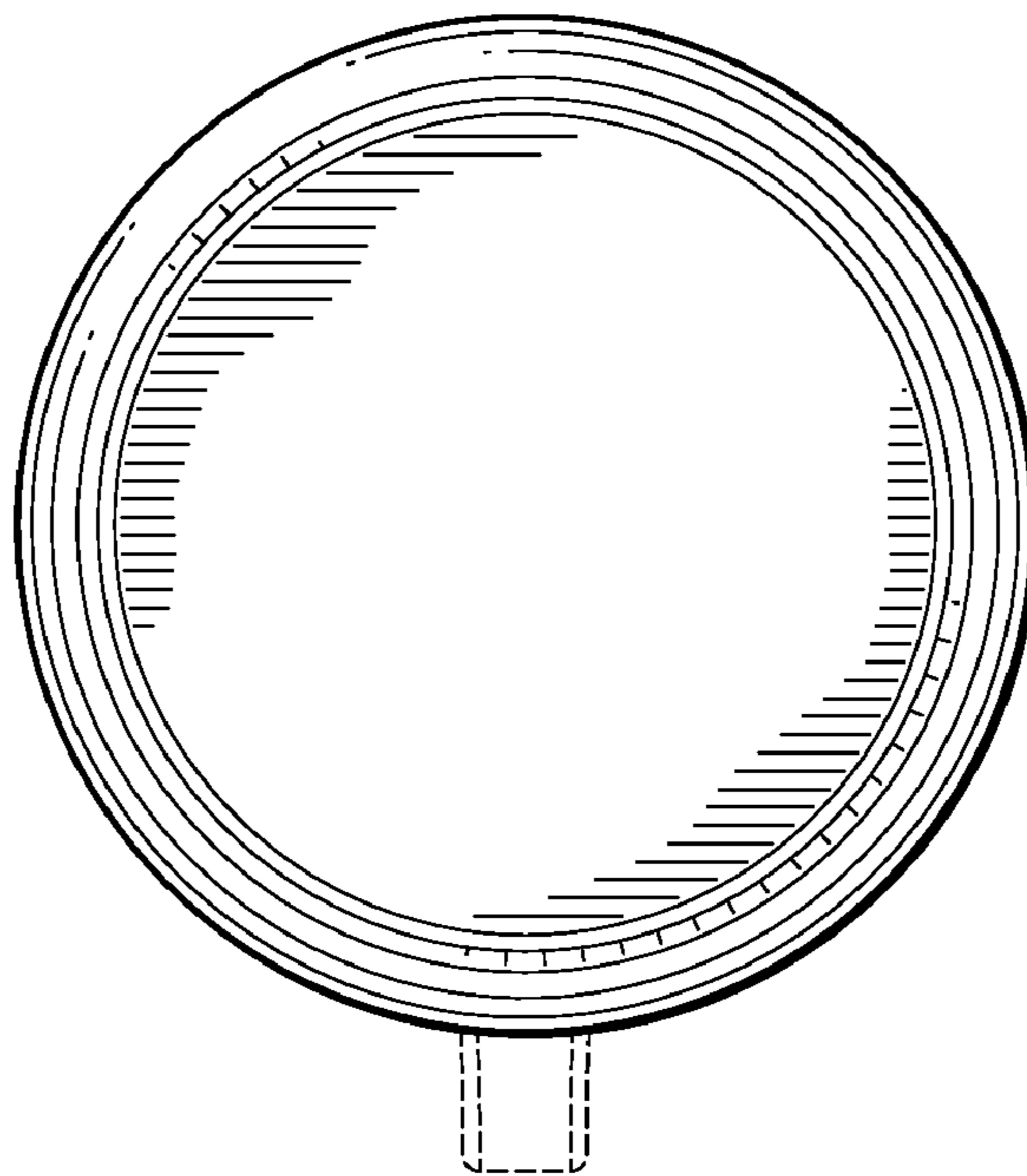


FIG. 7

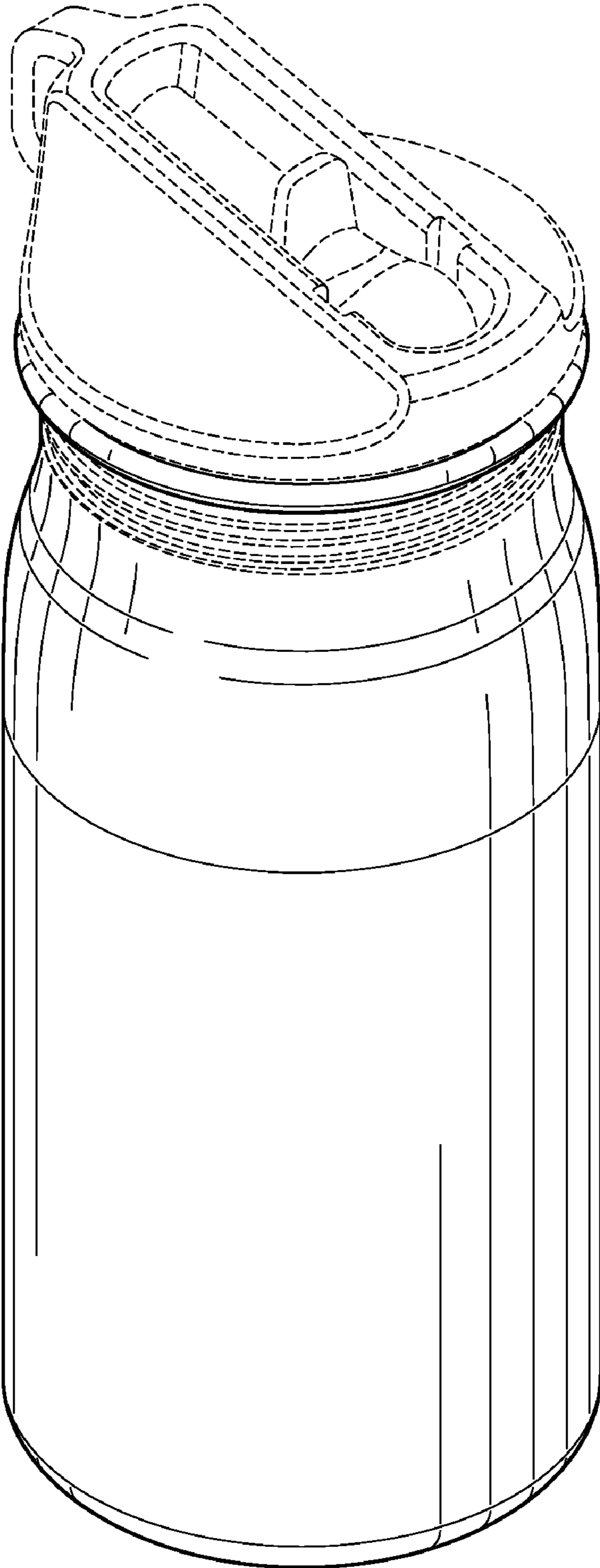


FIG. 8

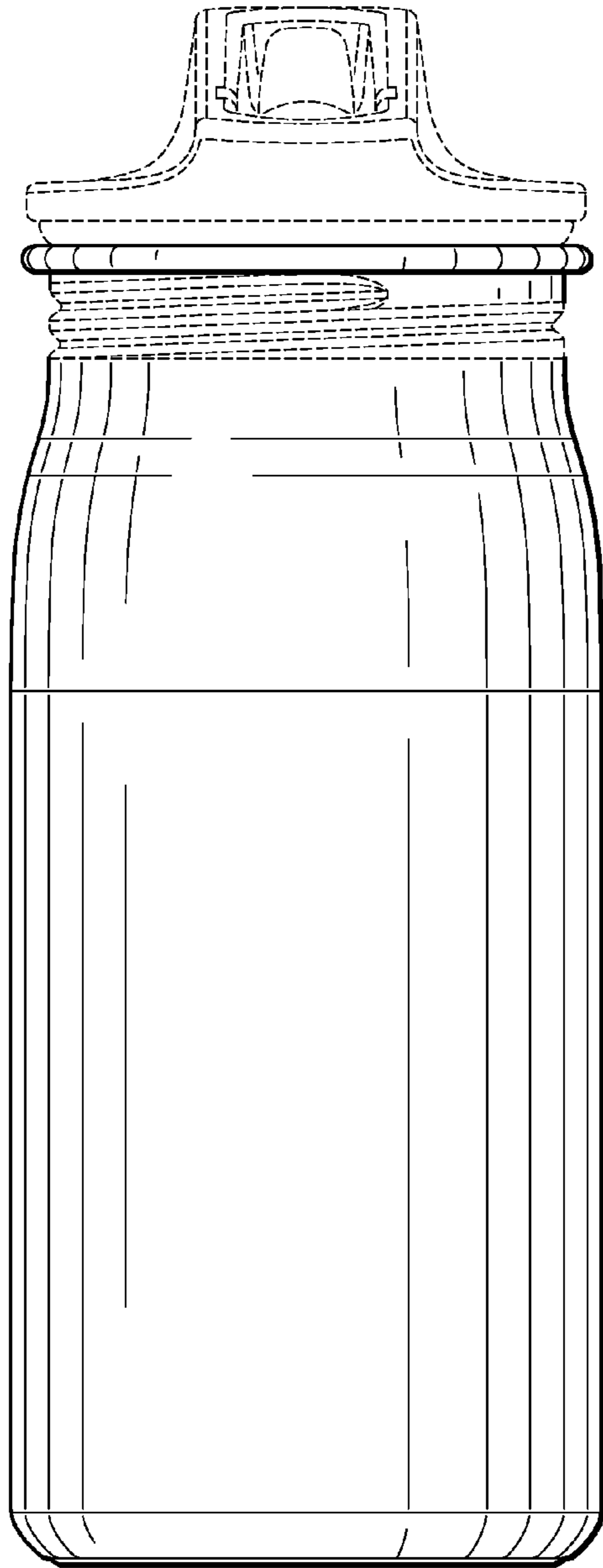


FIG. 9

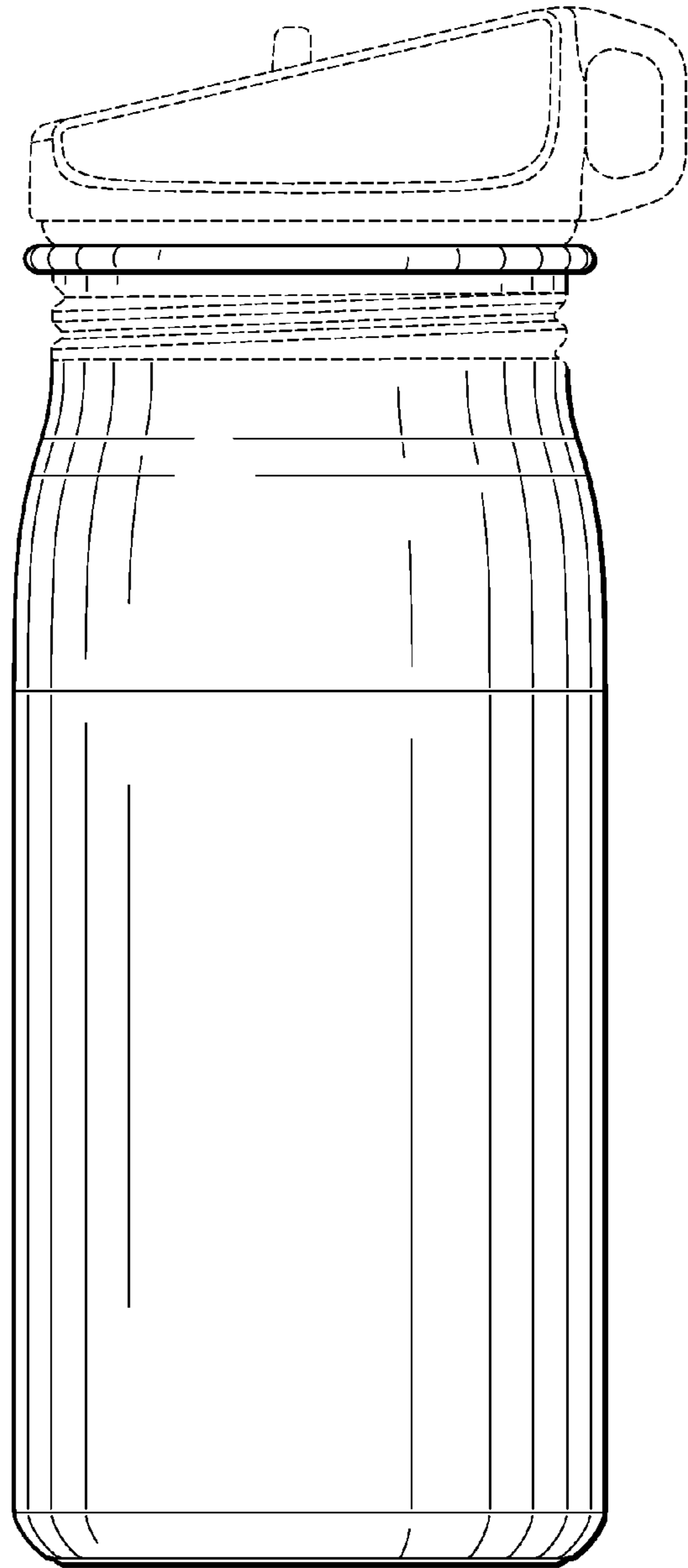


FIG. 10

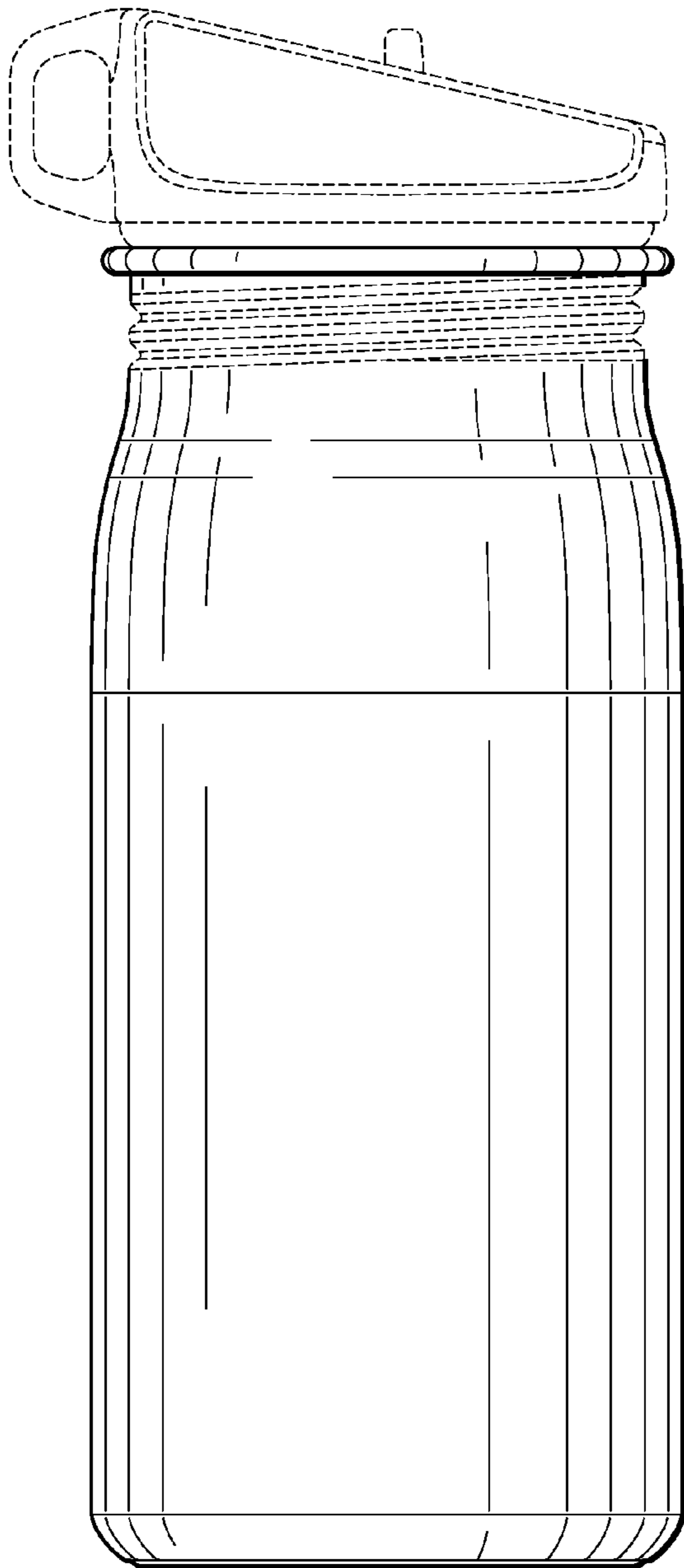


FIG. 11

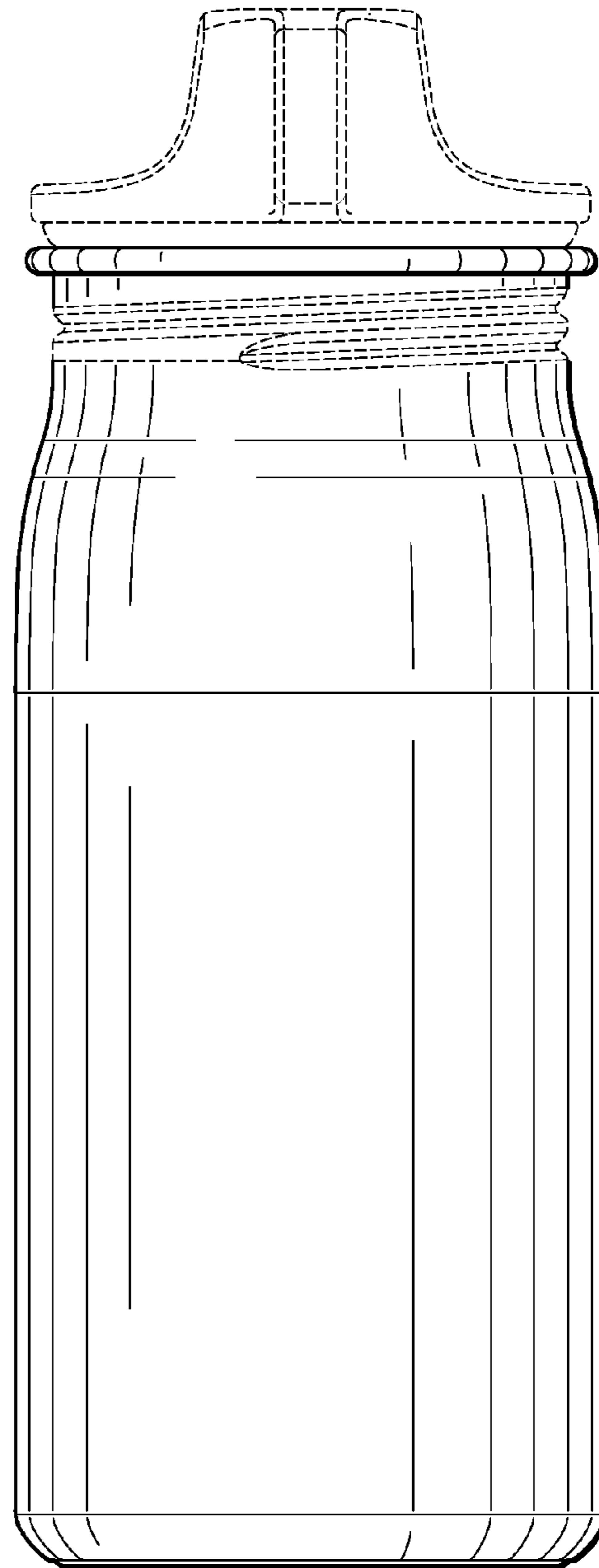


FIG. 12

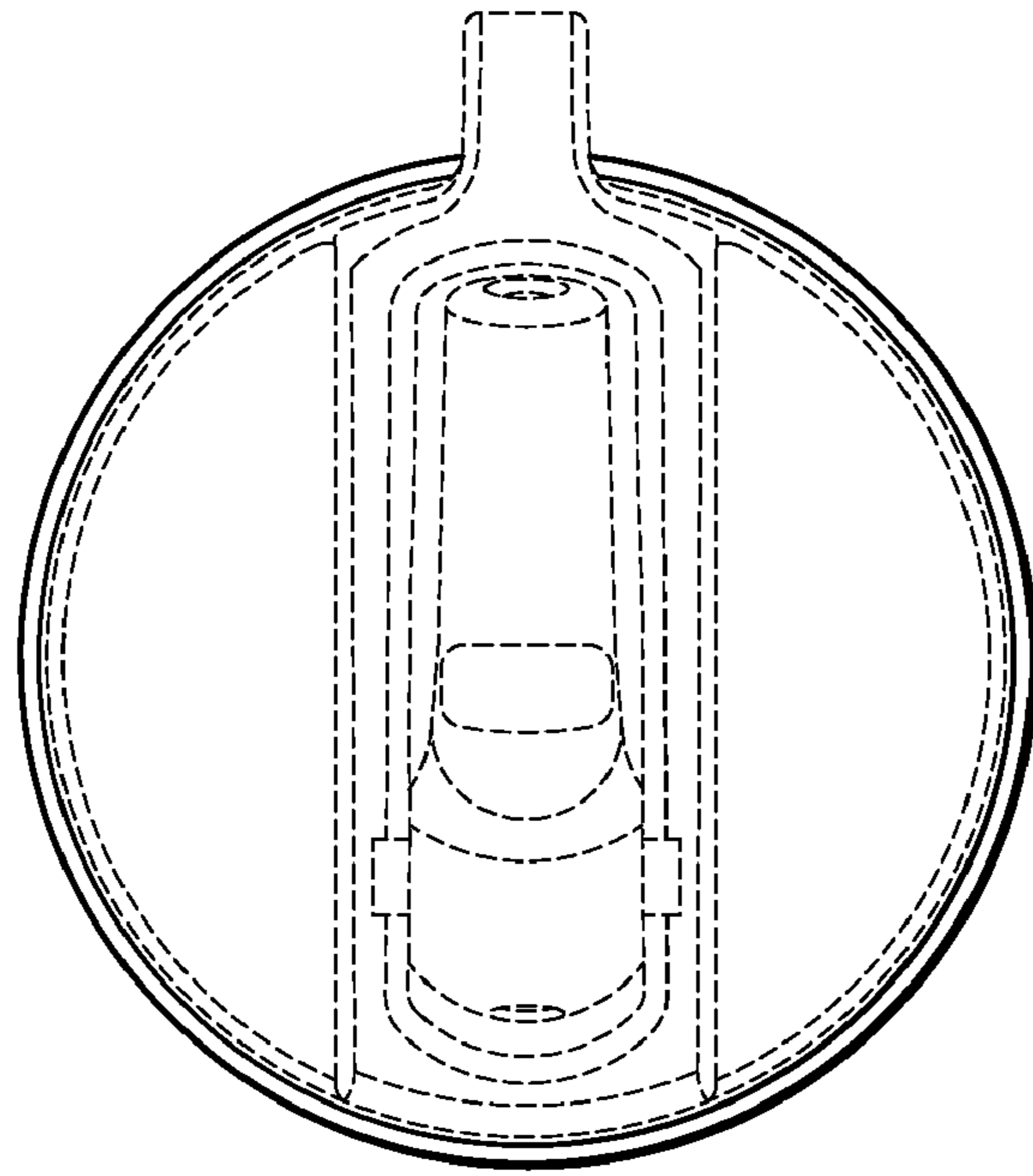


FIG. 13

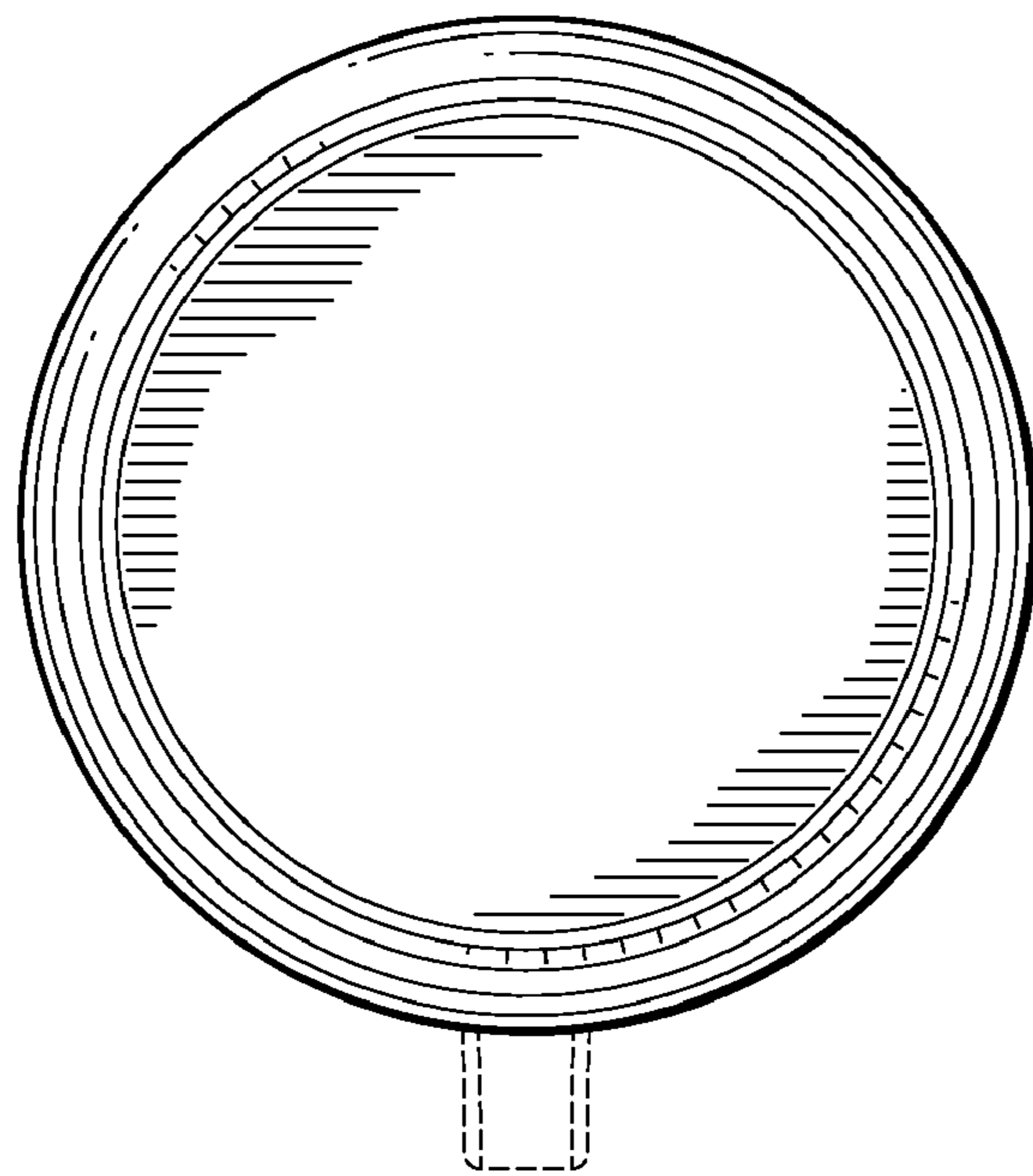


FIG. 14

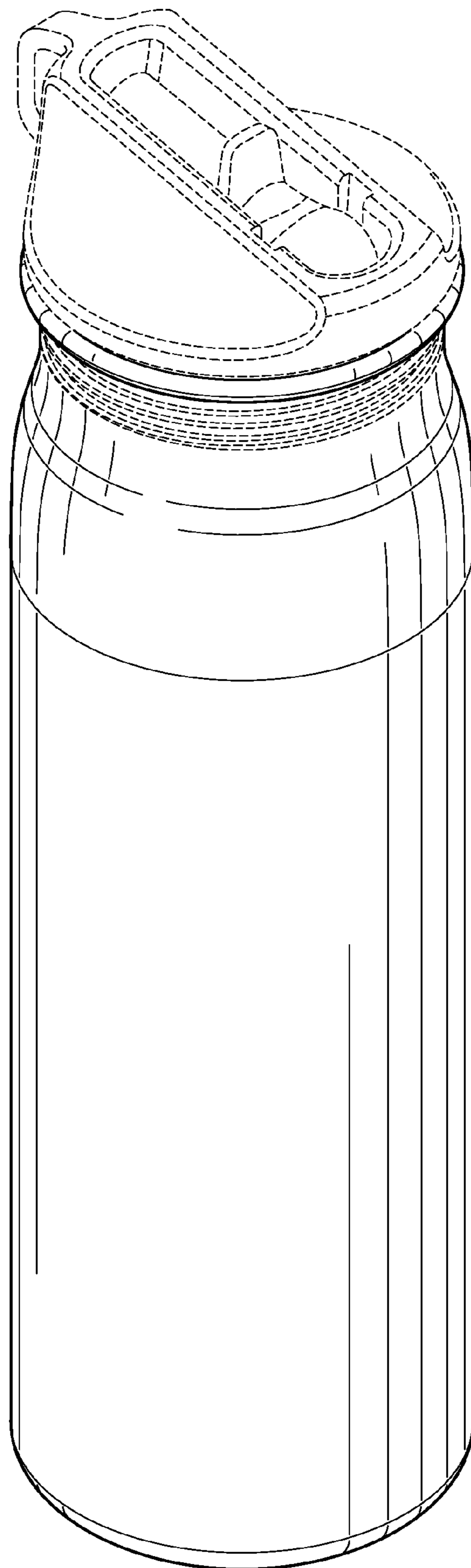


FIG. 15

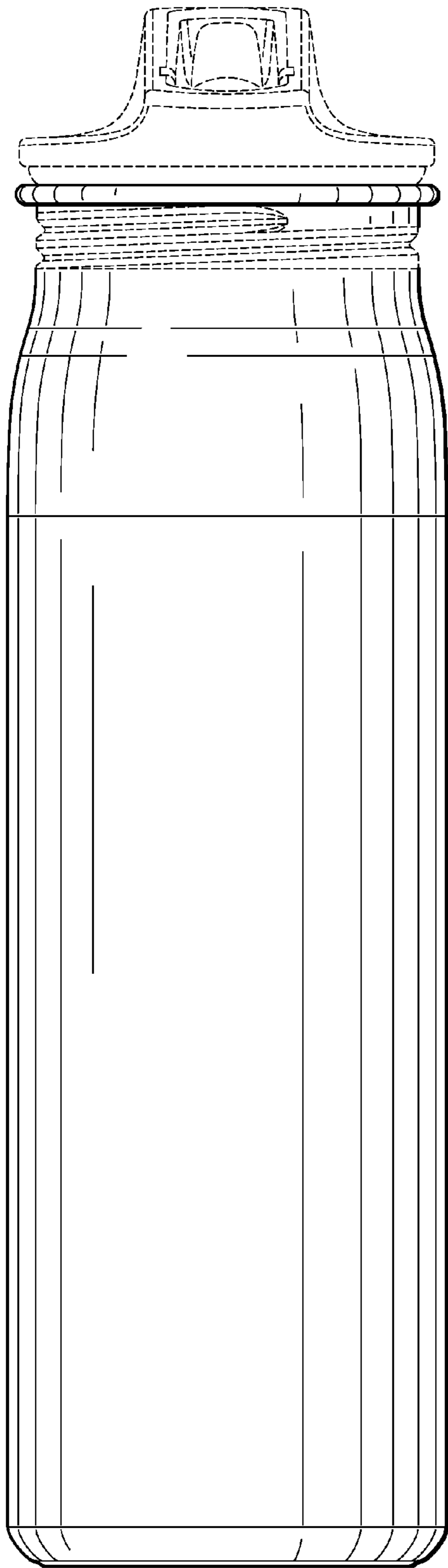


FIG. 16

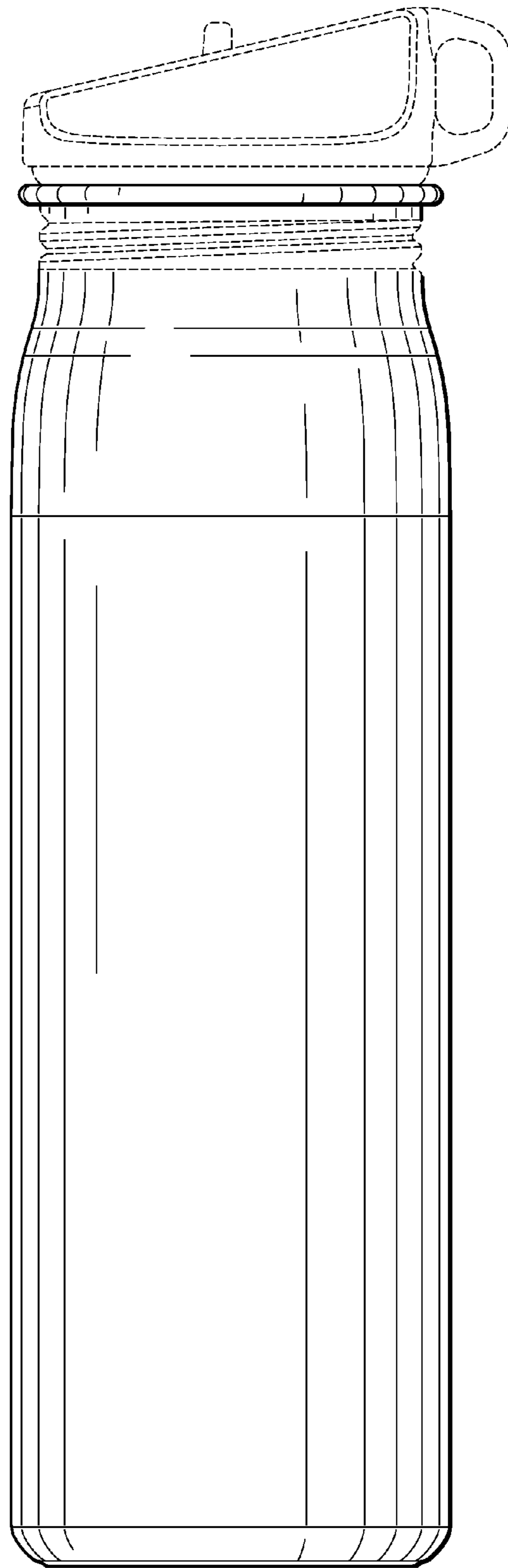


FIG. 17

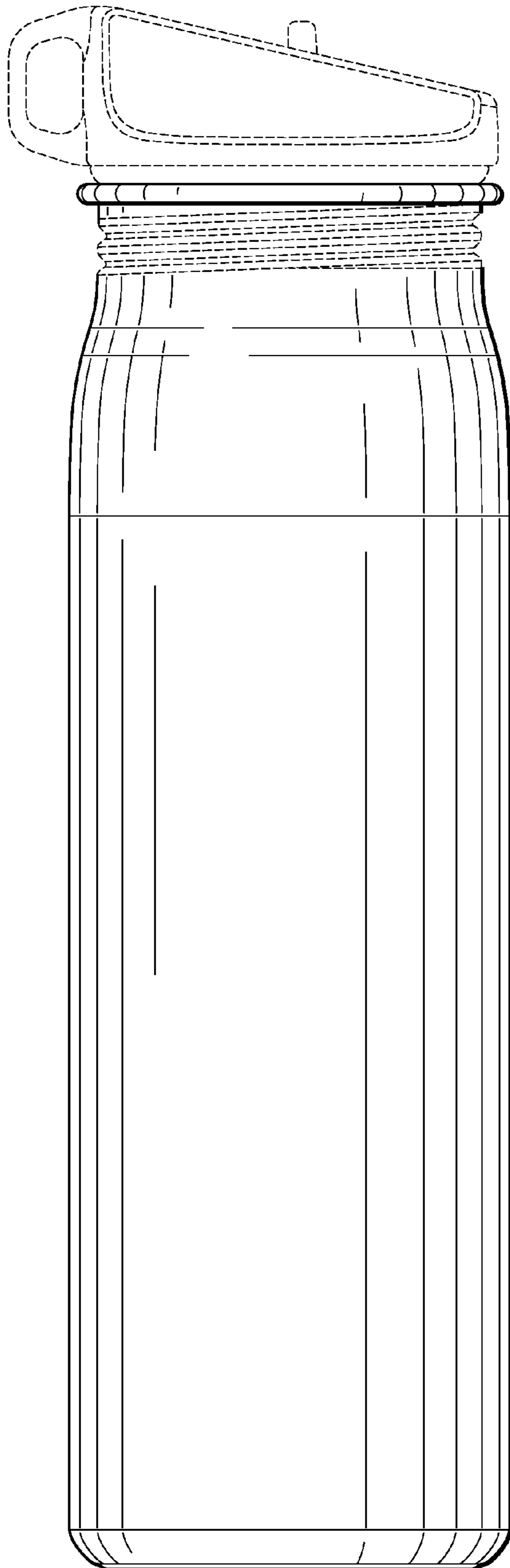


FIG. 18

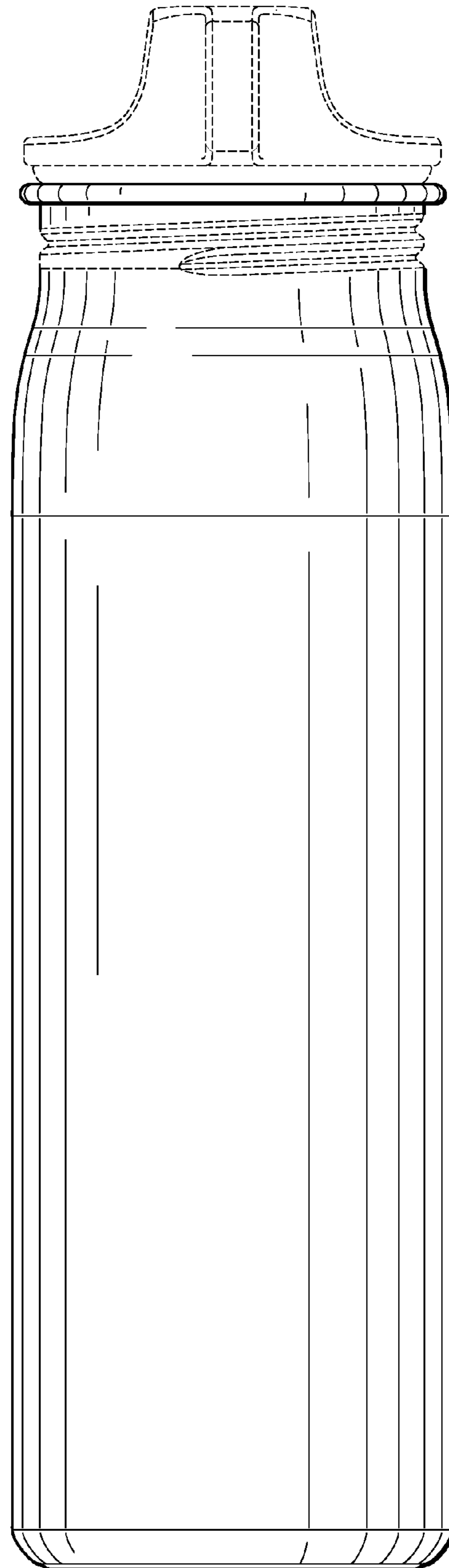


FIG. 19

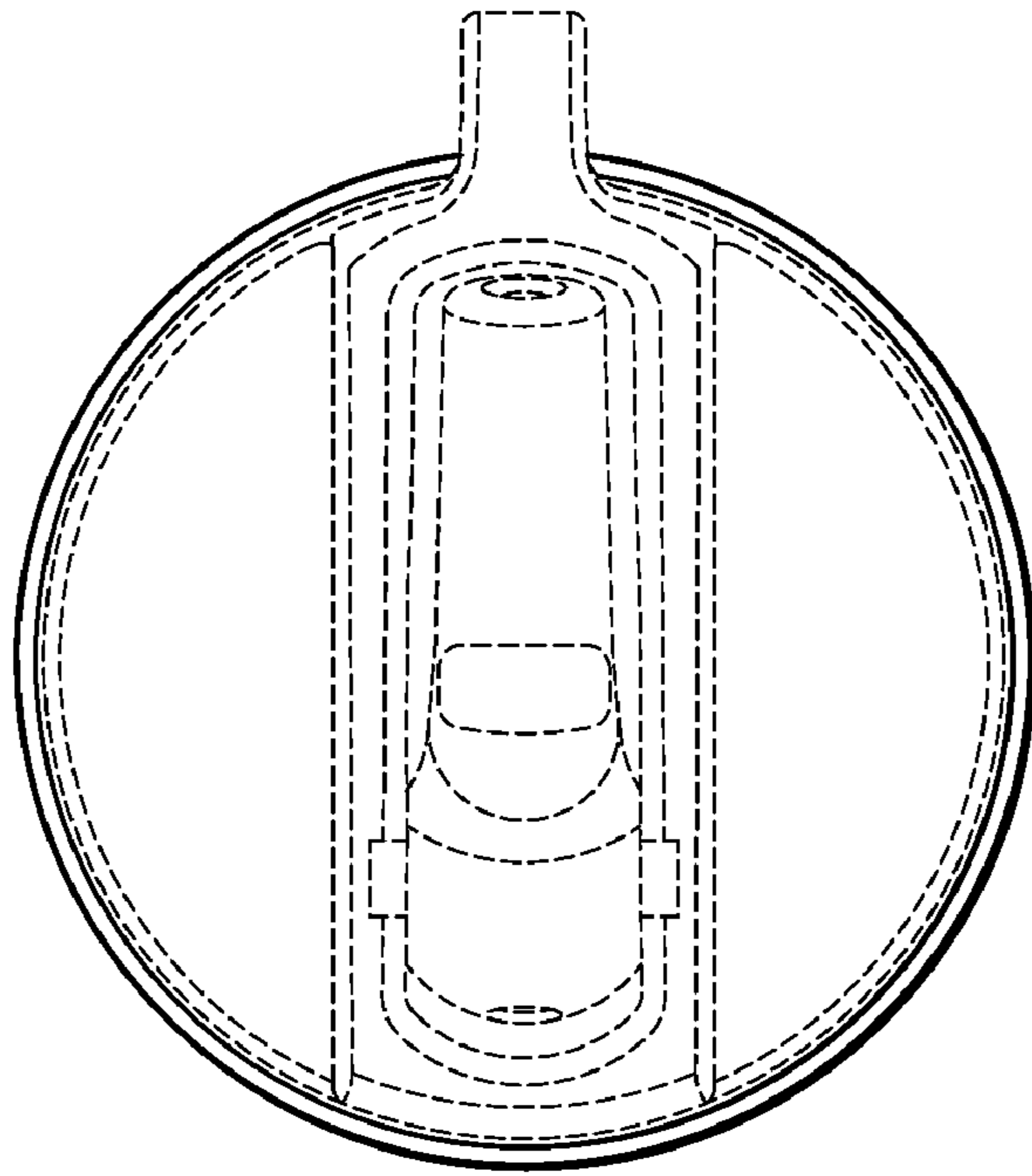


FIG. 20

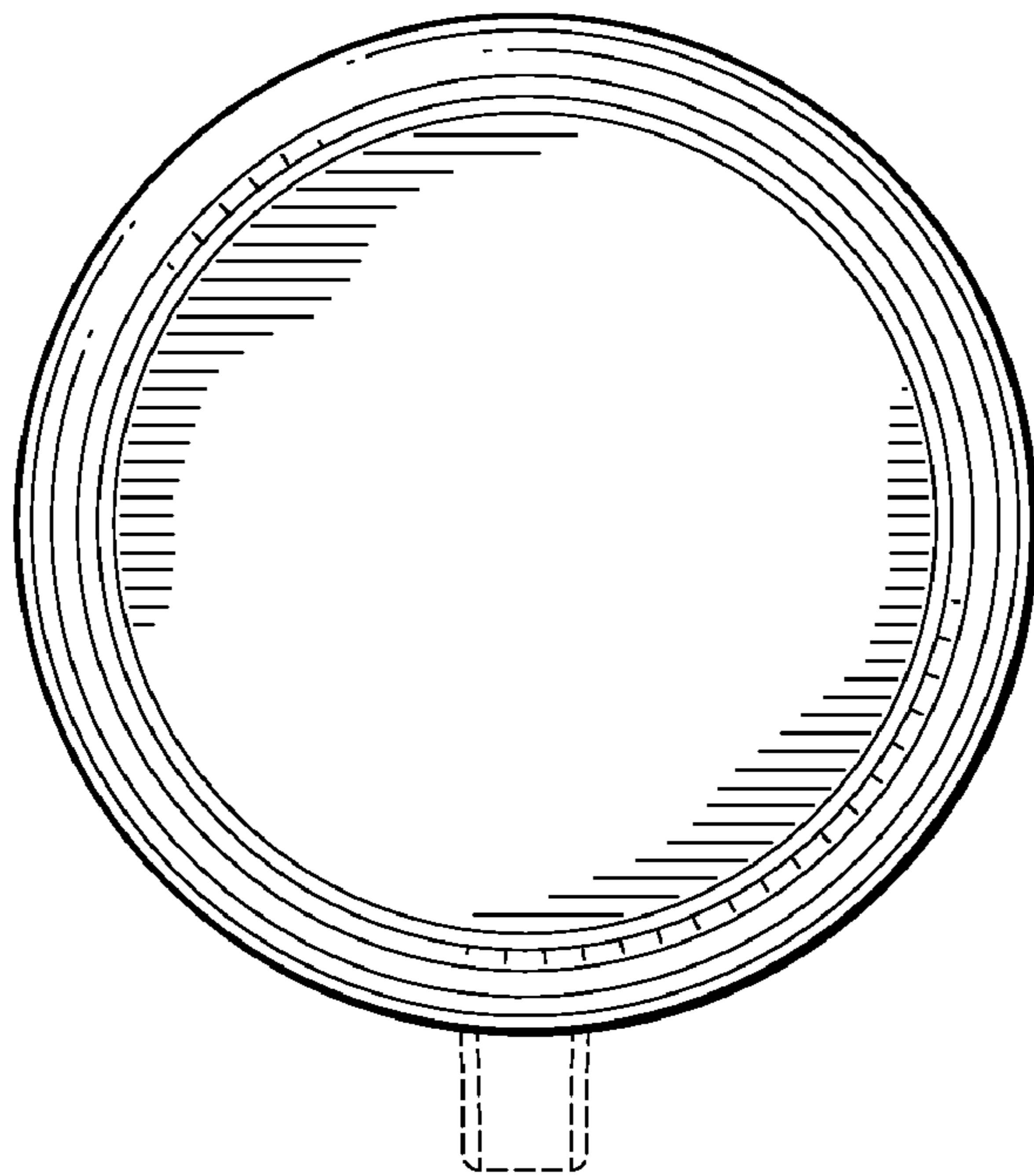


FIG. 21