



US00D629648S

(12) **United States Design Patent**
McDonald

(10) **Patent No.:** **US D629,648 S**

(45) **Date of Patent:** **** Dec. 28, 2010**

(54) **DISPENSING SPOUT**

(76) Inventor: **Michael McDonald**, 3 Nita St., East
Northport, NY (US) 11731

(**) Term: **14 Years**

(21) Appl. No.: **29/341,683**

(22) Filed: **Aug. 11, 2009**

Related U.S. Application Data

(60) Division of application No. 29/309,090, filed on Jun. 20, 2008, now Pat. No. Des. 597,789, which is a continuation-in-part of application No. 12/071,736, filed on Feb. 26, 2008, which is a continuation-in-part of application No. 29/236,621, filed on Aug. 19, 2005, now Pat. No. Des. 566,461.

(51) **LOC (9) Cl.** **07-99**

(52) **U.S. Cl.** **D7/398; D7/900; D7/396.2;**
D7/392.1; D9/441; D9/451

(58) **Field of Classification Search** **D7/392.1,**
D7/396.2, 300.2, 398, 515, 900, 901; D9/441,
D9/451, 440; D34/4; 220/705, 713; 215/388,
215/11.1

See application file for complete search history.

(56) **References Cited**

U.S. PATENT DOCUMENTS

D229,172 S *	11/1973	Khoury et al.	D9/440
D241,496 S *	9/1976	Grode et al.	D7/594
D327,817 S *	7/1992	Paullin	D7/515
D330,857 S *	11/1992	Kidd	D9/451
D379,023 S *	4/1997	August	D99/37
D379,149 S *	5/1997	Powell et al.	D9/451
D416,799 S *	11/1999	Adams	D9/451

D419,450 S *	1/2000	Adams	D9/451
D419,880 S *	2/2000	Adams	D9/451
D471,060 S *	3/2003	Salsman	D7/392.1
D507,181 S *	7/2005	Malik	D9/451
D558,748 S *	1/2008	Speiss	D14/253
D562,627 S *	2/2008	McDonald et al.	D7/398
D566,461 S *	4/2008	McDonald	D7/398
D583,231 S *	12/2008	Koehnke	D9/441
D586,621 S *	2/2009	Thompson	D7/515
D589,748 S *	4/2009	McDonald	D7/398
D596,363 S *	7/2009	Wolford et al.	D34/4
D596,462 S *	7/2009	Serruya et al.	D7/515
D596,670 S *	7/2009	Baker	D19/82
D597,789 S *	8/2009	McDonald	D7/398
D602,736 S *	10/2009	McDonald	D7/398
D616,169 S *	5/2010	Wolford et al.	D34/4

* cited by examiner

Primary Examiner—Marianne Pandozzi

(57) **CLAIM**

The ornamental design for a dispensing spout, as shown and described.

DESCRIPTION

FIG. 1 is a front perspective view of a dispensing spout showing my new design;

FIG. 2 is a rear perspective view thereof;

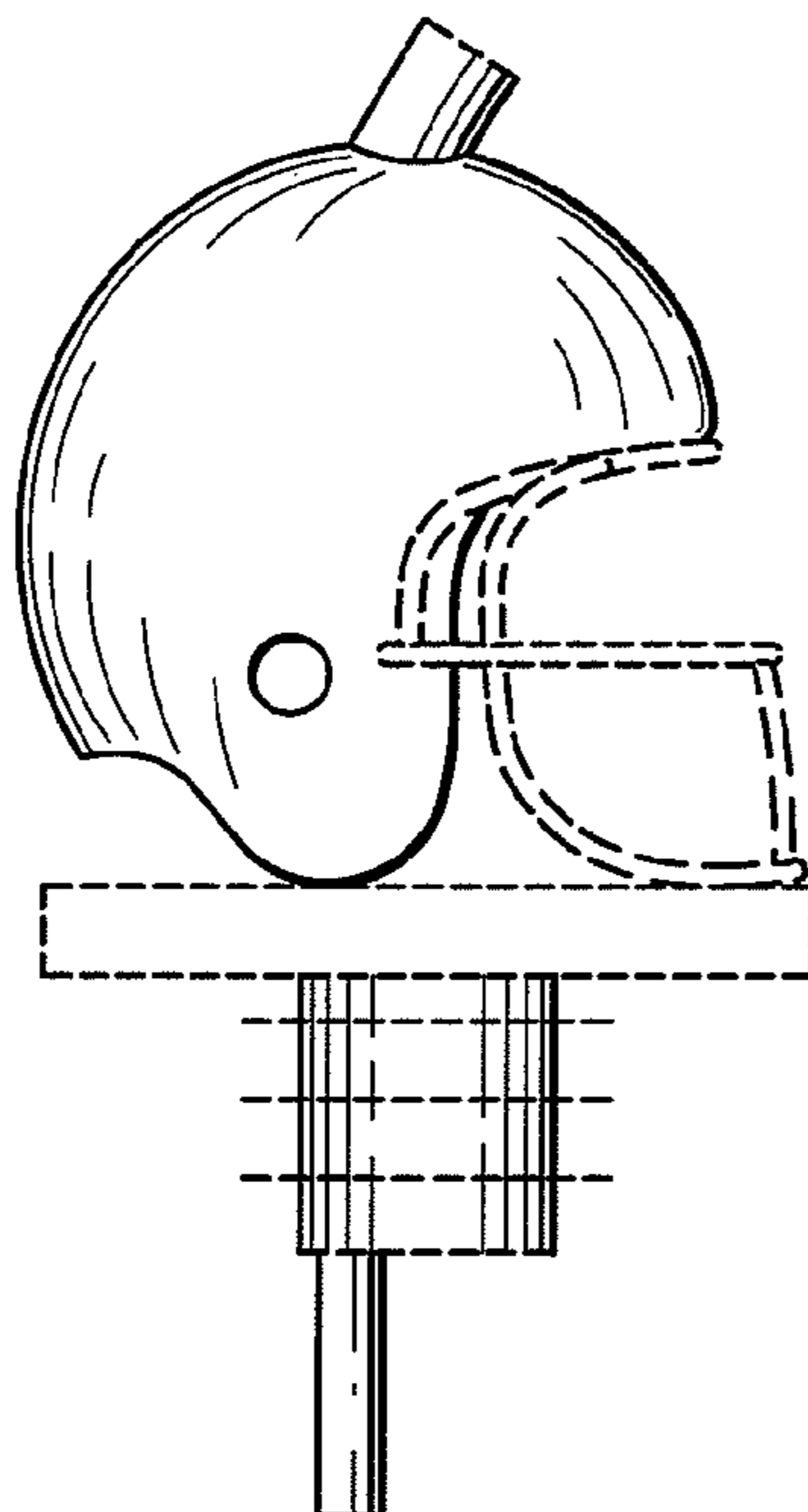
FIG. 3 is a right view of the dispensing spout, the left view being a mirror image;

FIG. 4 is a top view of the dispensing spout; and,

FIG. 5 is a bottom view of the dispensing spout.

The broken lines are for illustrative purposes only and do not form part of the claimed design.

1 Claim, 2 Drawing Sheets



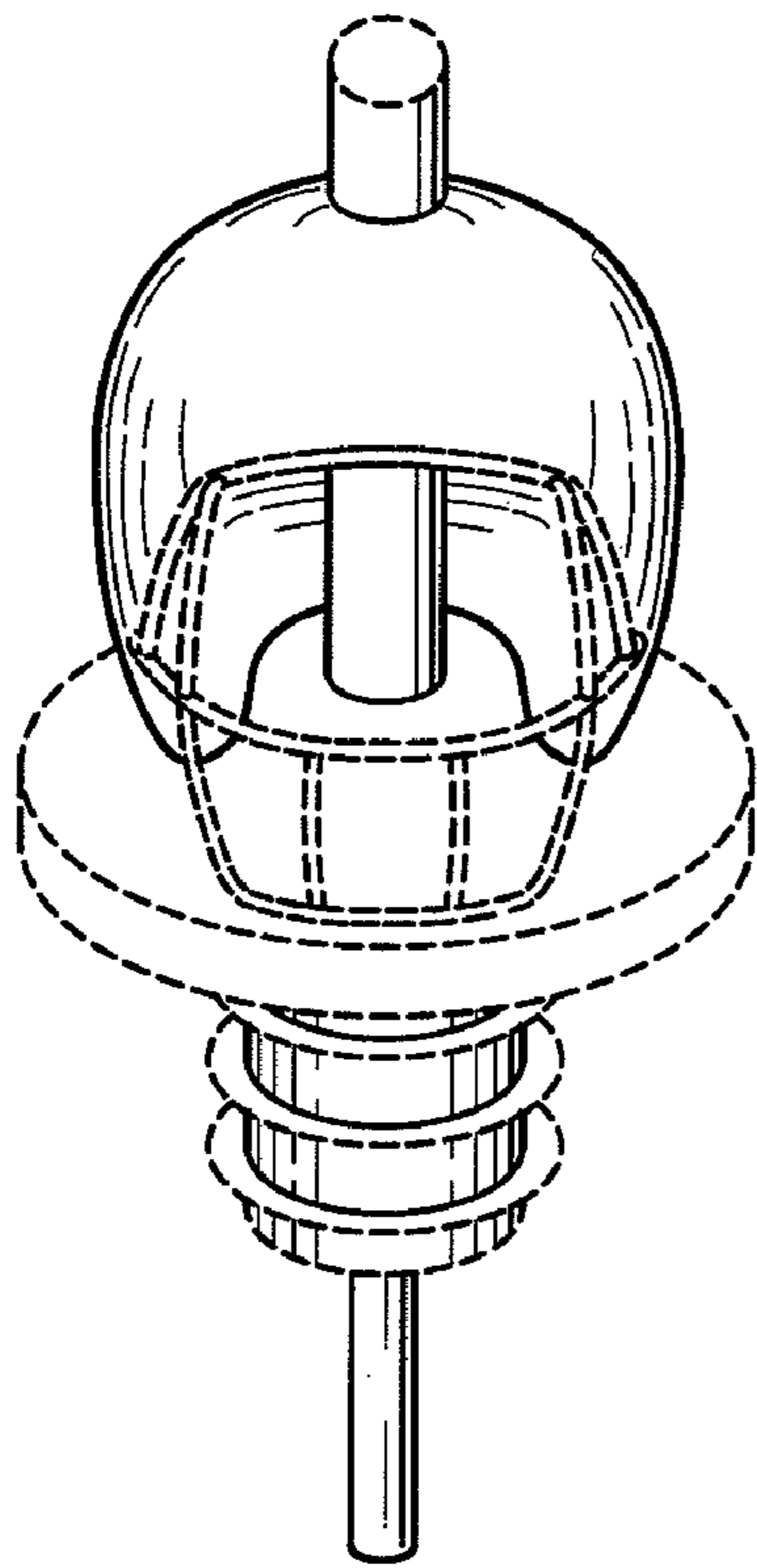


FIG. 1

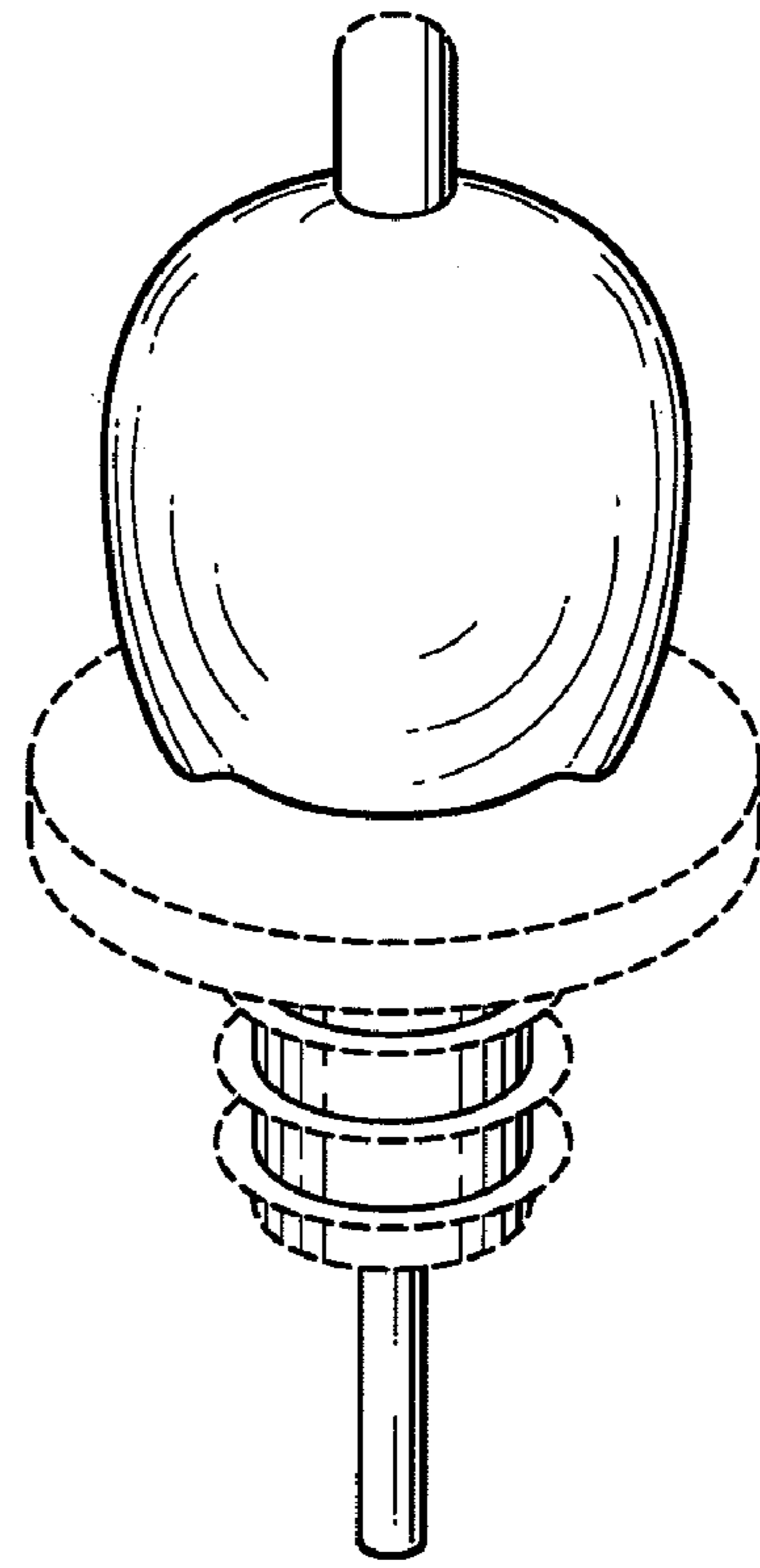


FIG. 2

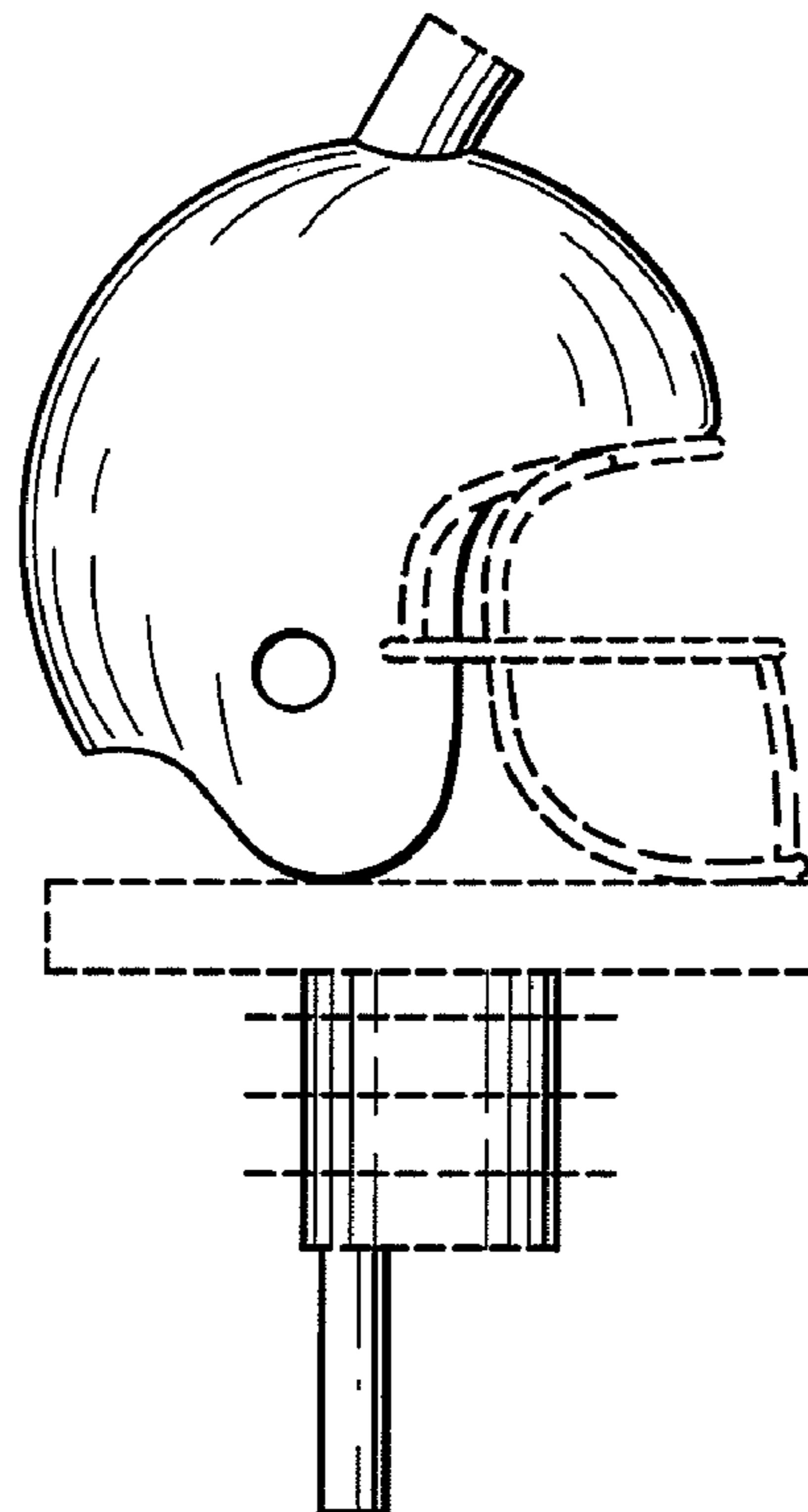


FIG. 3

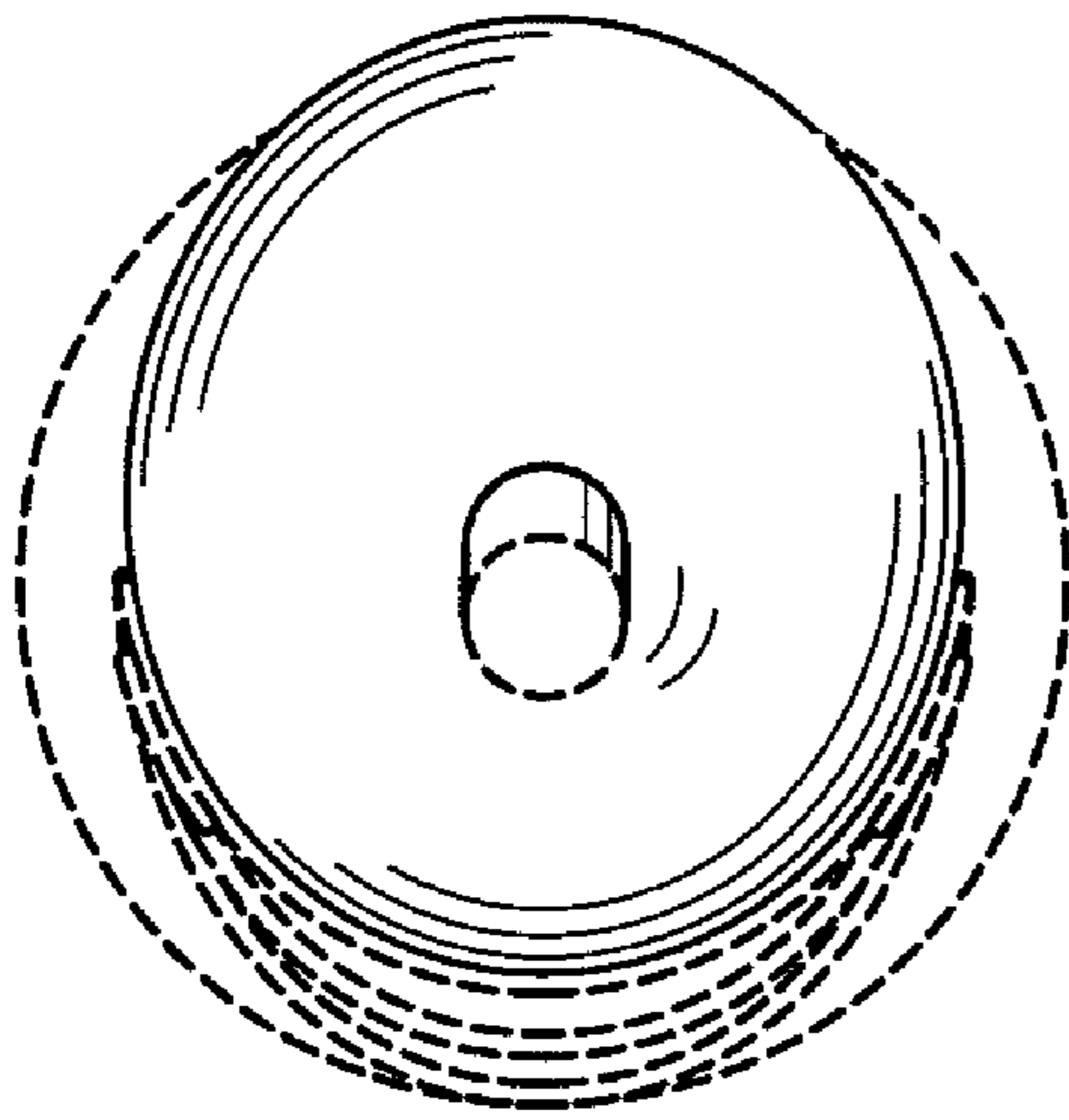


FIG. 4

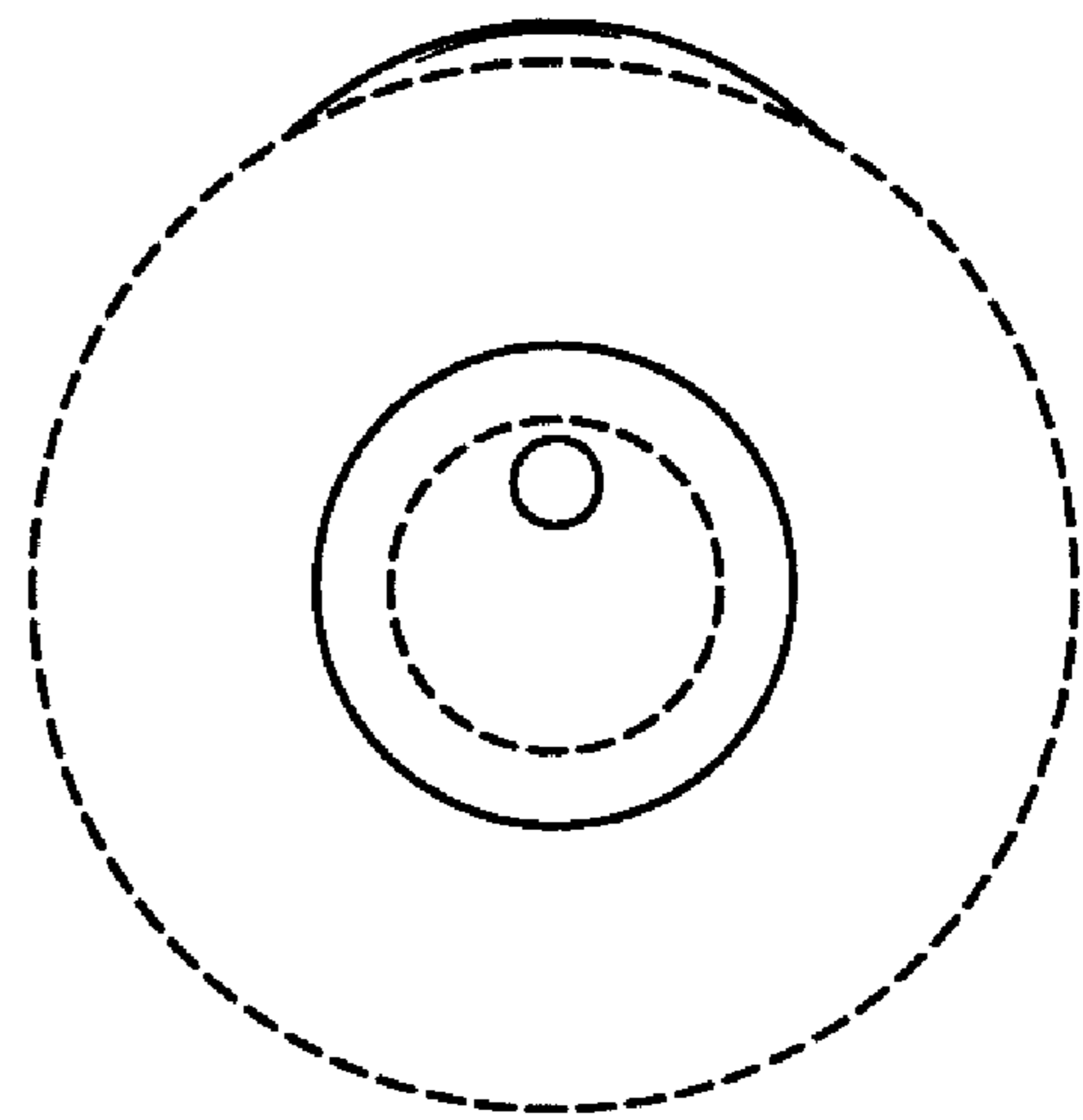


FIG. 5