



US00D629645S

(12) **United States Design Patent**  
**Chin et al.**

(10) **Patent No.:** **US D629,645 S**

(45) **Date of Patent:** **\*\* Dec. 28, 2010**

(54) **LID**

(76) Inventors: **Erik R. Chin**, 1536 Champion Hills Ln.,  
Las Vegas, NV (US) 89134; **Tola L. Chin**, 1536 Champion Hills Ln., Las  
Vegas, NV (US) 89134

(\*\*) Term: **14 Years**

(21) Appl. No.: **29/351,877**

(22) Filed: **Dec. 13, 2009**

(51) **LOC (9) Cl.** ..... **07-02**

(52) **U.S. Cl.** ..... **D7/392.1**

(58) **Field of Classification Search** ..... D7/300,  
D7/302, 303, 309, 316–319, 392, 392.1, 396.1,  
D7/396.2, 397, 398, 399, 511, 533, 629;  
D9/434, 435, 436, 443, 447, 449, 450; 215/200;  
220/200, 203.04, 203.05, 203.06, 203.09,  
220/212.5, 700, 711, 715; 222/568–570,  
222/470–474, 475.1

See application file for complete search history.

(56) **References Cited**

U.S. PATENT DOCUMENTS

D110,140 S *	6/1938	Gamble	.....	D7/392
D113,894 S *	3/1939	Hacmac	.....	D7/392
D128,618 S *	8/1941	Brickley	.....	D7/392
D199,041 S *	9/1964	Kitterman	.....	D7/317
D204,896 S *	5/1966	Schlessel	.....	D7/392
D208,567 S *	9/1967	Mitchell	.....	D7/318
D247,211 S *	2/1978	Young	.....	D7/392
D315,472 S *	3/1991	Balzano	.....	D7/317
D338,367 S *	8/1993	Fonville	.....	D7/317
D434,599 S *	12/2000	Brady et al.	.....	D7/392
D445,640 S *	7/2001	Cruz et al.	.....	D7/392

D490,266 S *	5/2004	Imai	.....	D7/318
D493,059 S *	7/2004	O'Connor et al.	.....	D7/319
D503,069 S *	3/2005	Dilollo et al.	.....	D7/392
D511,684 S *	11/2005	Guyot	.....	D9/443
D528,846 S *	9/2006	Tamura	.....	D7/318
D536,926 S *	2/2007	Schreitmuller	.....	D7/398
D557,060 S *	12/2007	Swiss et al.	.....	D7/319
D586,178 S *	2/2009	Ku	.....	D7/392.1

\* cited by examiner

*Primary Examiner*—Cynthia M Chin

(74) *Attorney, Agent, or Firm*—Booth Udall, PLC; Steven J. Laureanti

(57) **CLAIM**

The ornamental design for an lid, as shown and described.

**DESCRIPTION**

FIG. 1 is a reduced environmental perspective view of the present invention.

FIG. 2 is another perspective view of the present invention;

FIG. 3 is a front view of the present invention;

FIG. 4 is a right side view of the present invention;

FIG. 5 is a left side view of the present invention;

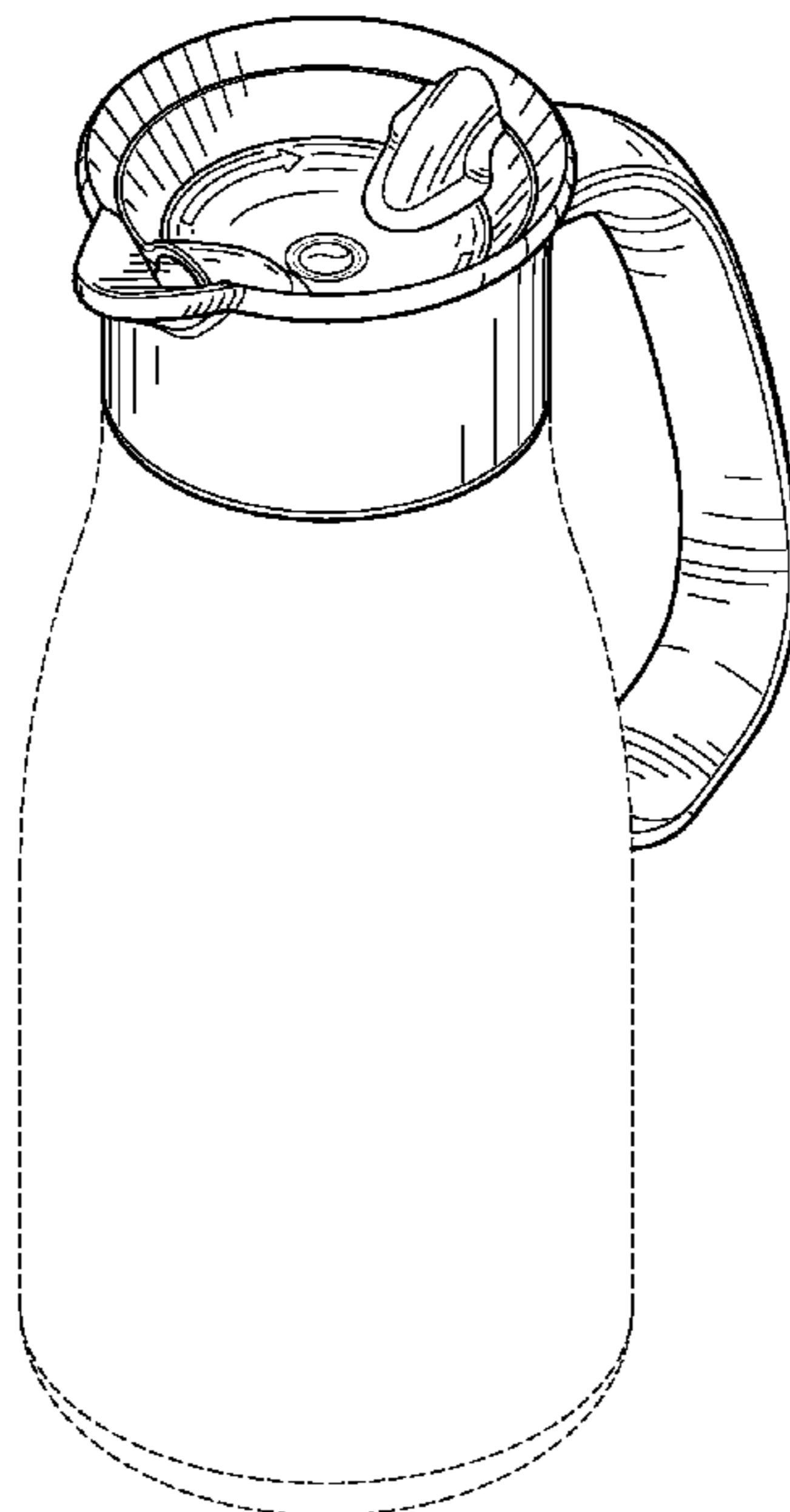
FIG. 6 is a back view of the present invention;

FIG. 7 is a top view of the present invention; and,

FIG. 8 is a bottom view of the present invention.

The broken lines in FIG. 1 represent the environment in which the design resides whereas the broken lines in FIG. 8 represent the bounds of the claim. None of the broken lines form a part of the claimed design.

**1 Claim, 4 Drawing Sheets**



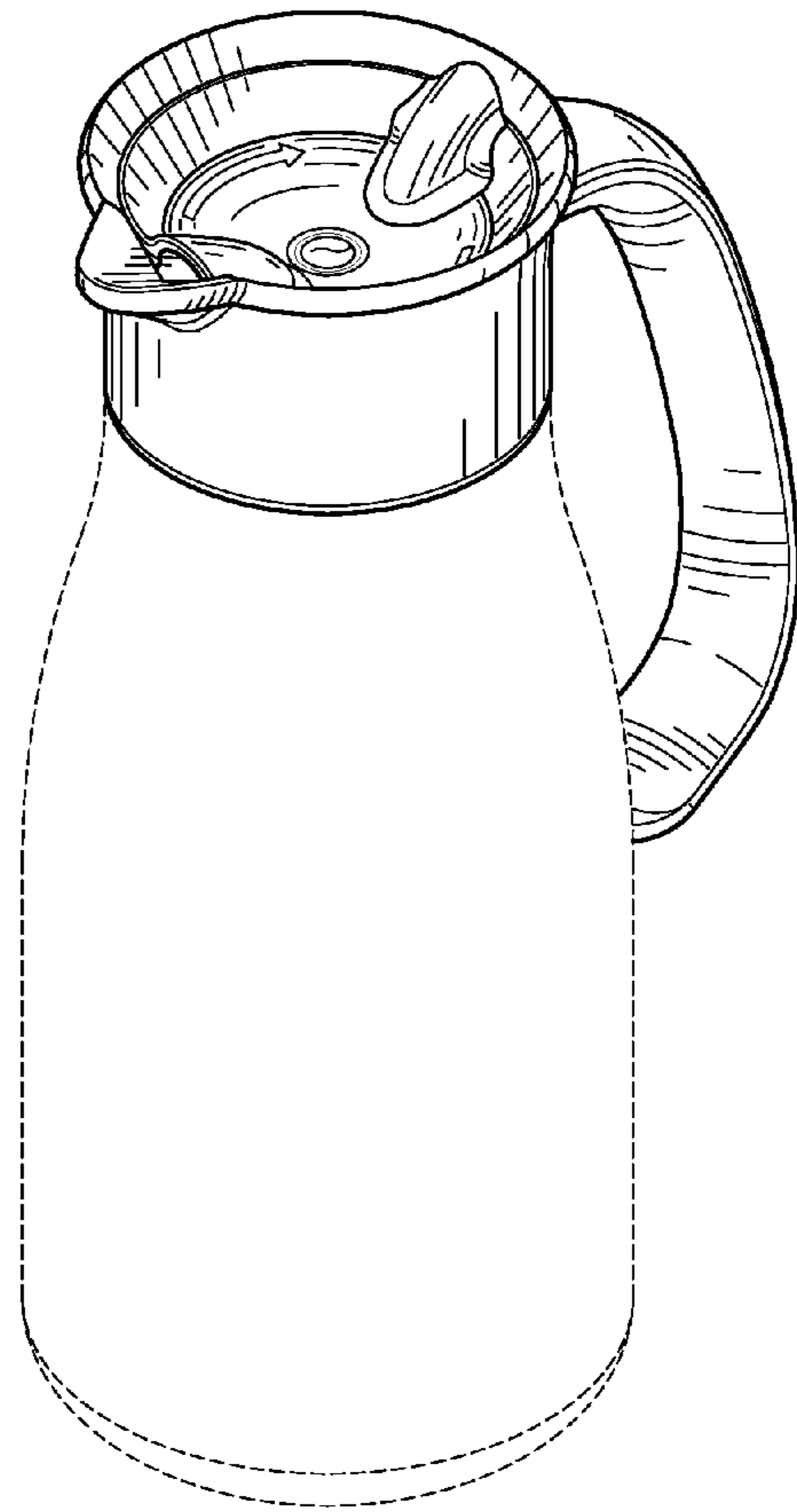


FIG. 1

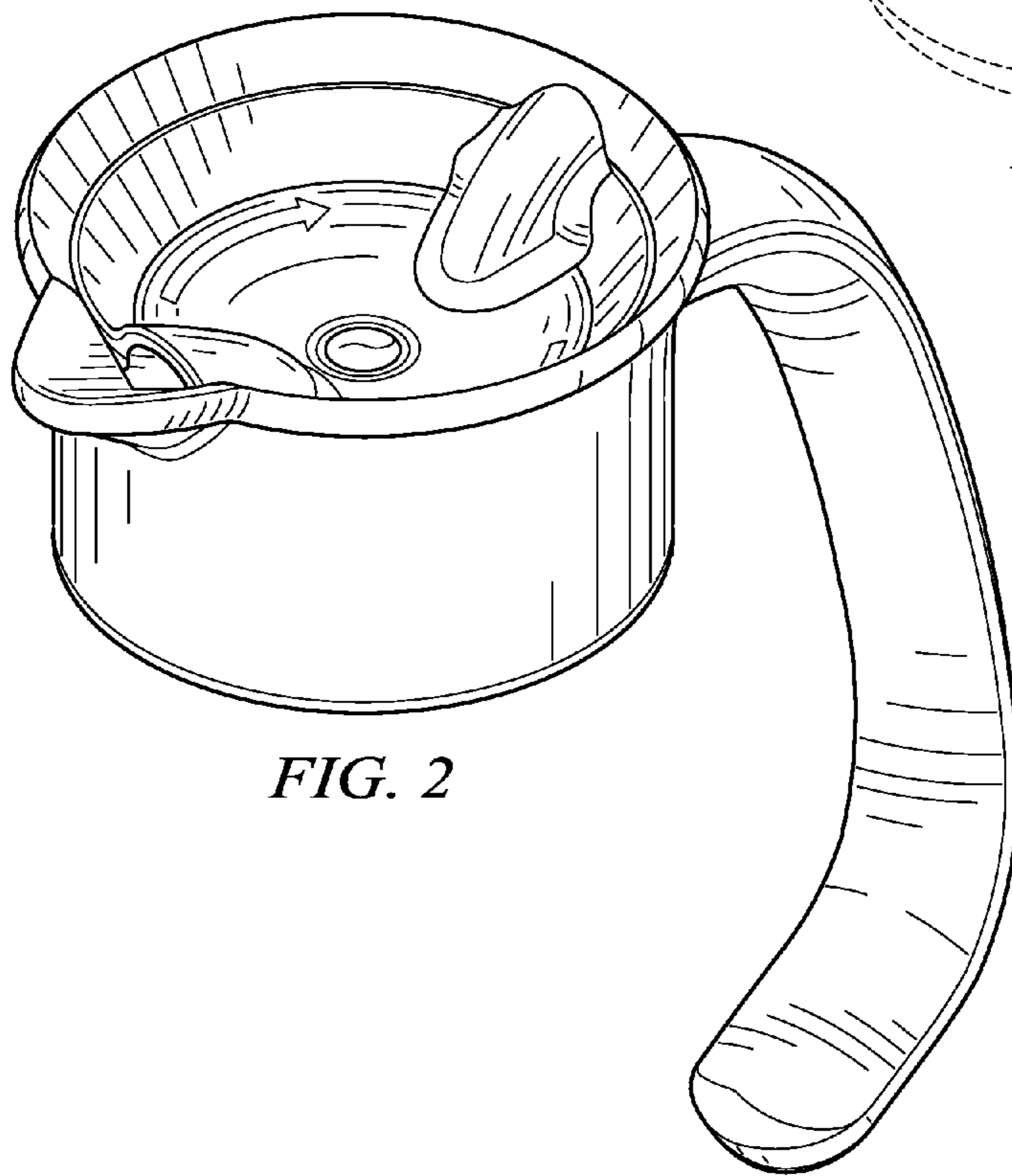


FIG. 2

FIG. 4

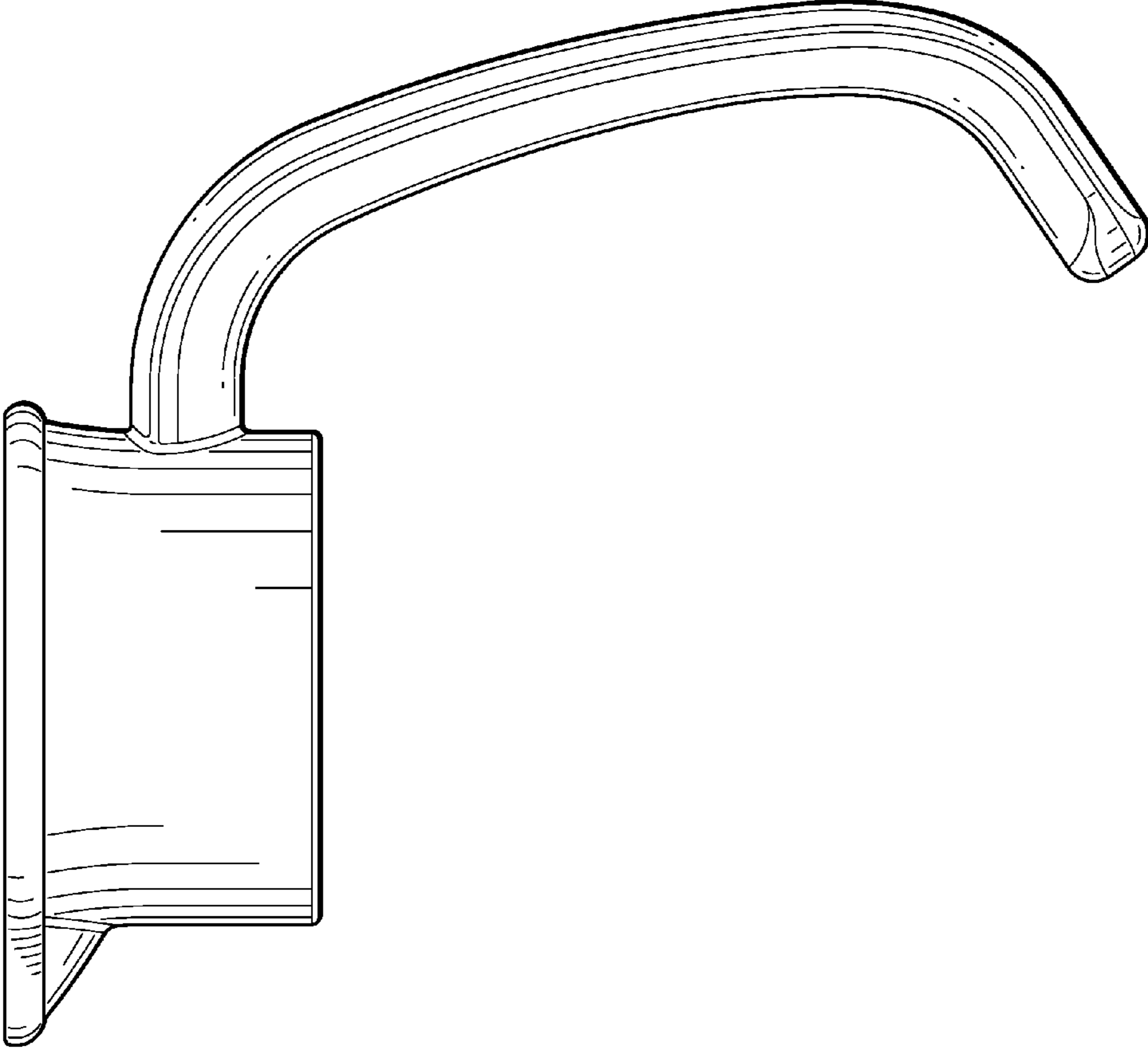


FIG. 3

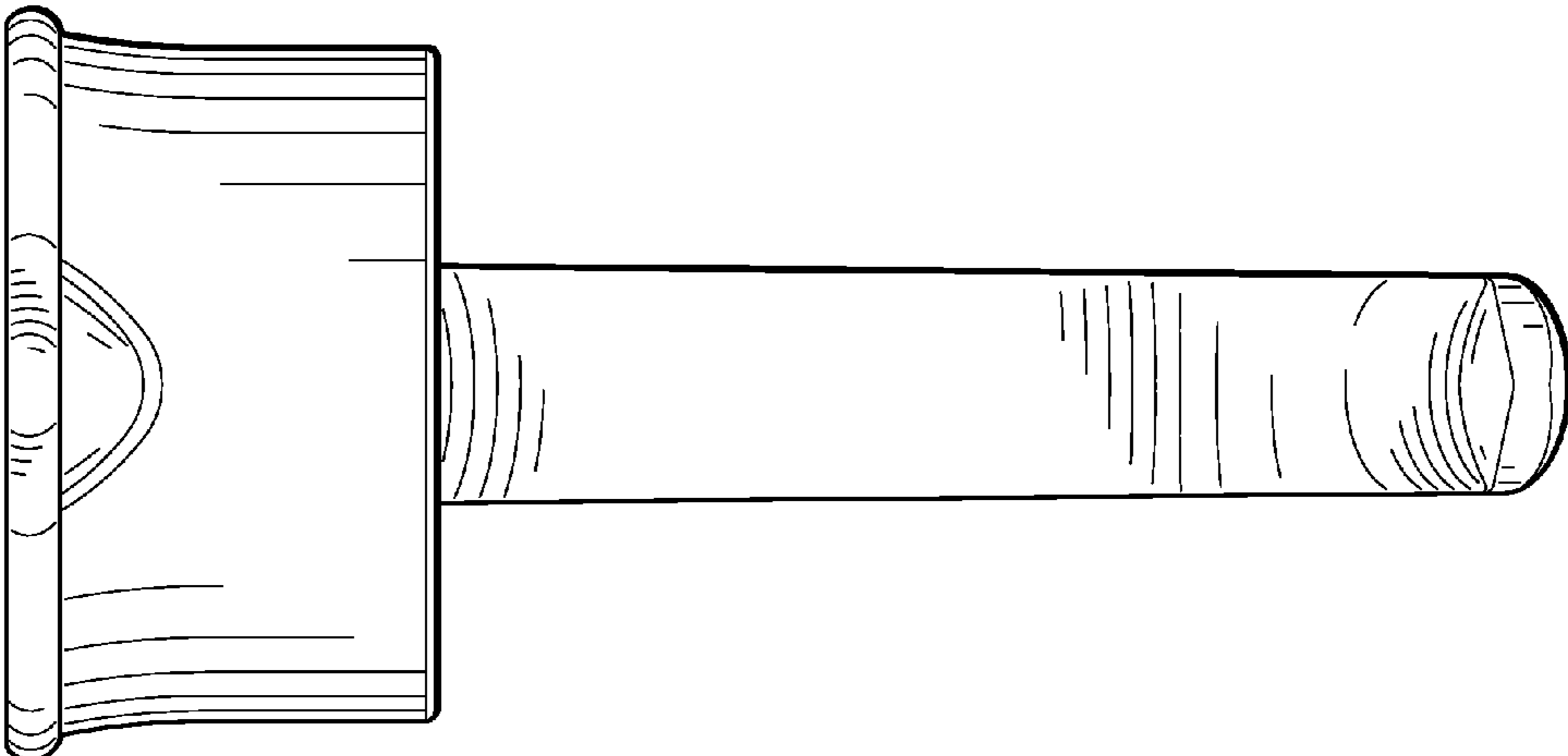


FIG. 6

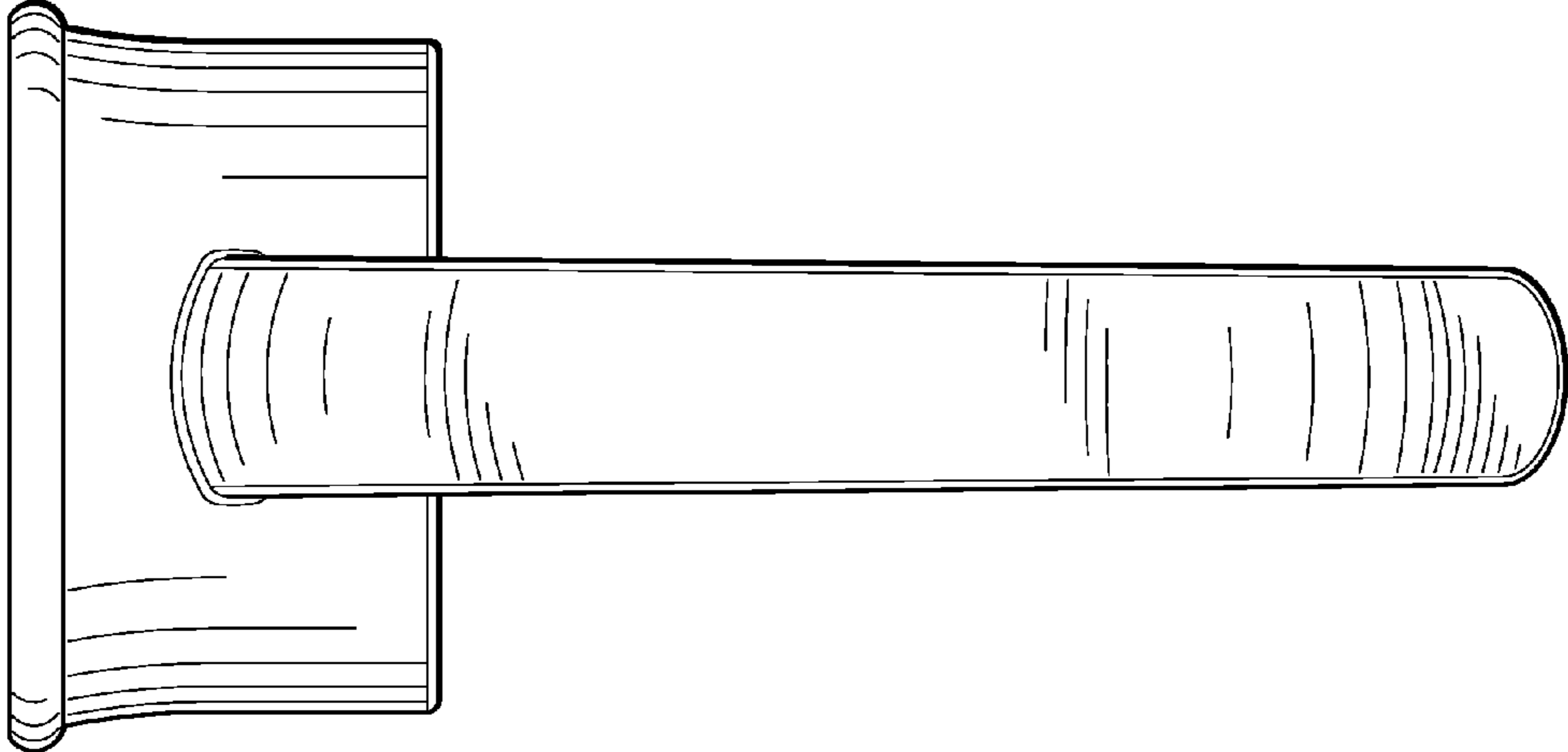


FIG. 5

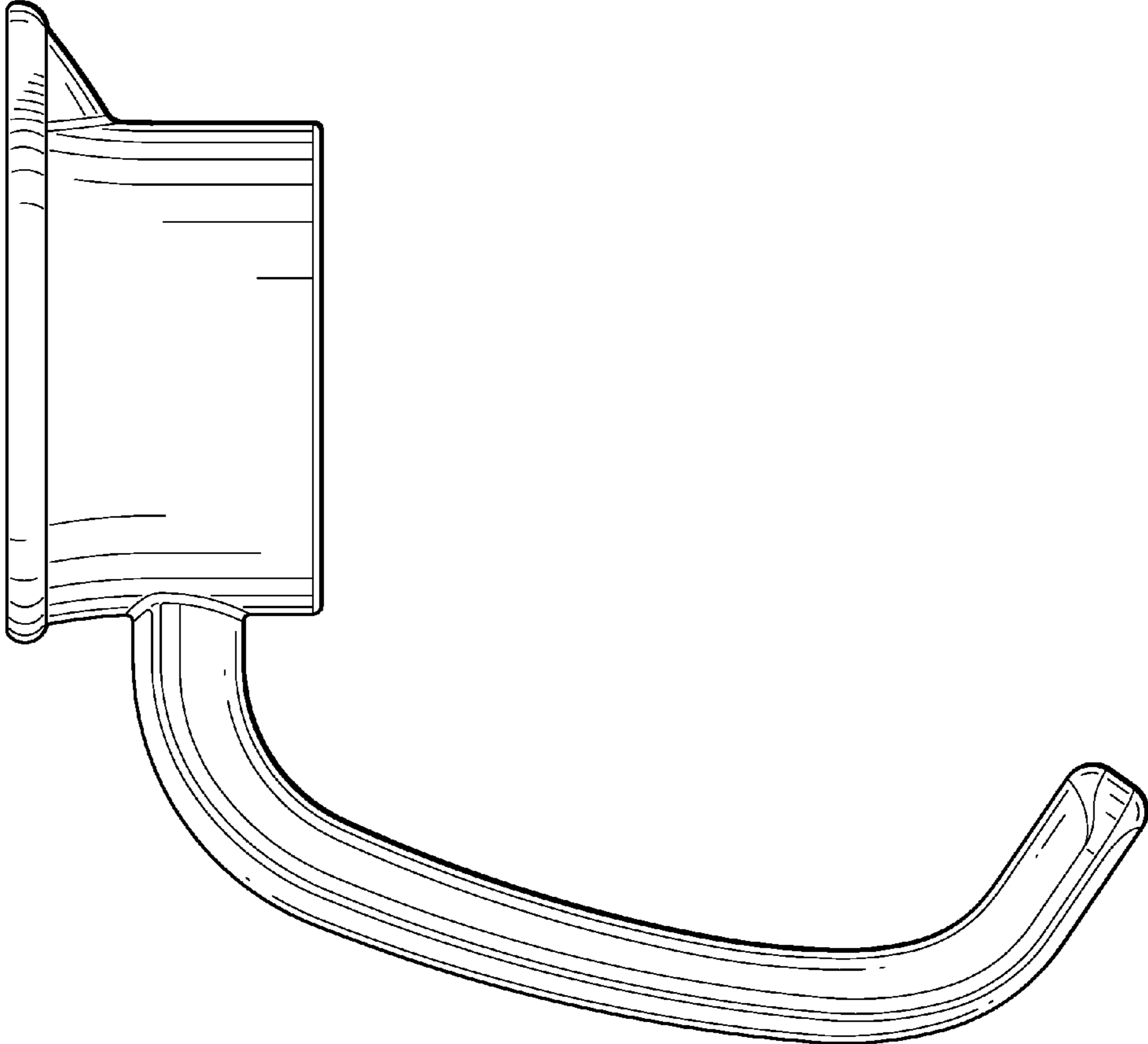


FIG. 7

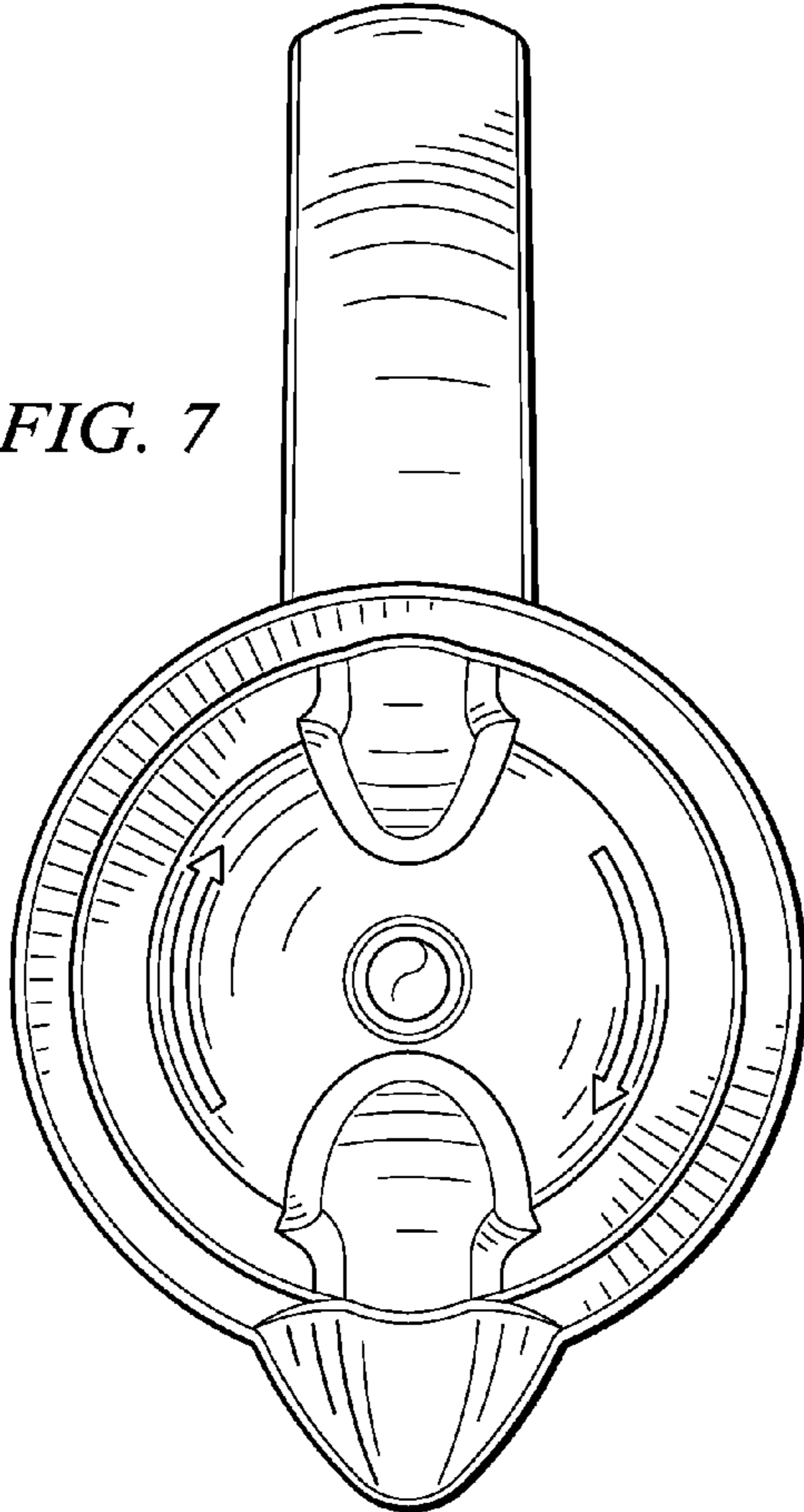
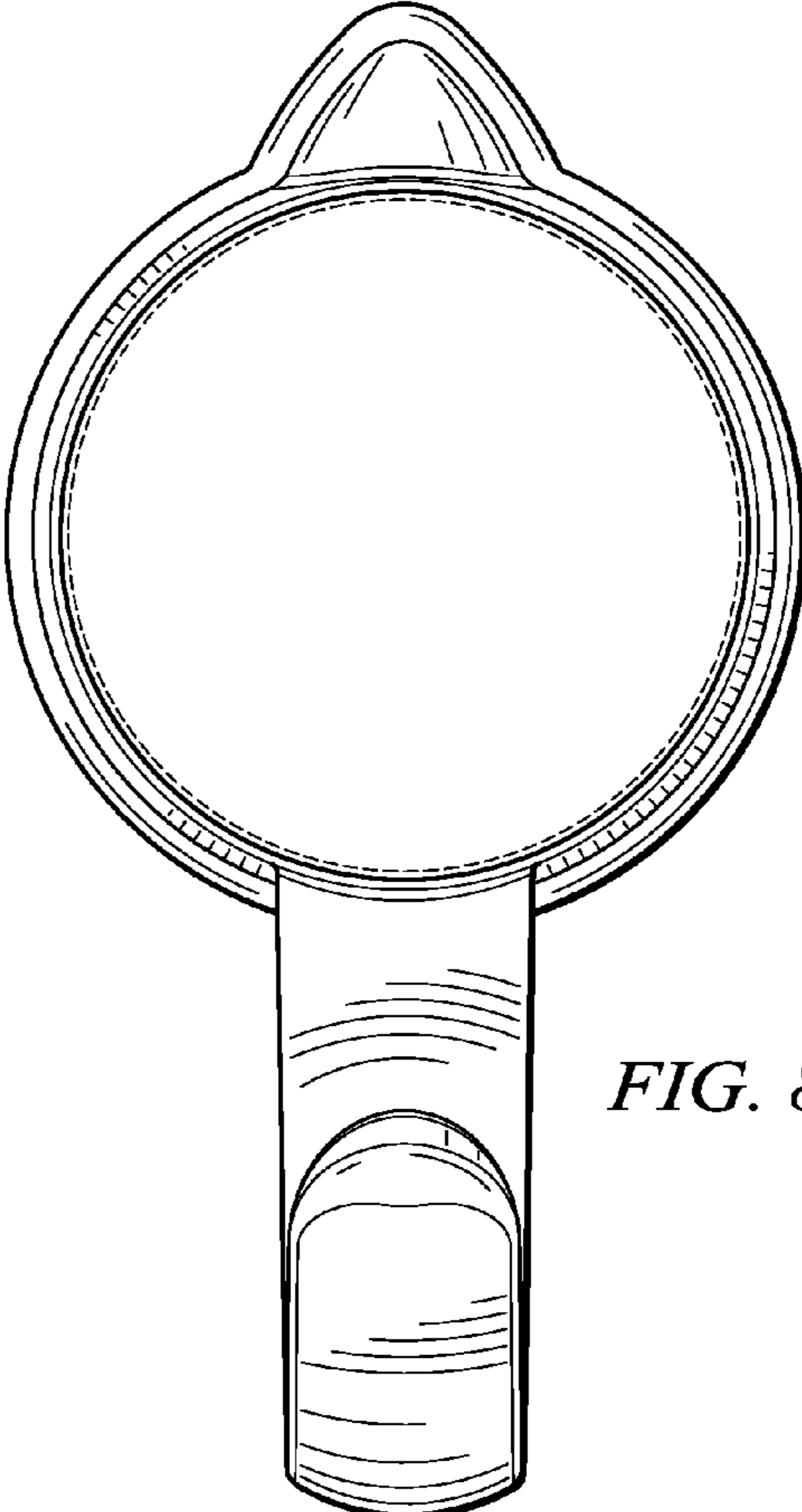


FIG. 8



UNITED STATES PATENT AND TRADEMARK OFFICE  
**CERTIFICATE OF CORRECTION**

PATENT NO. : D629,645 S  
APPLICATION NO. : 29/351877  
DATED : December 28, 2010  
INVENTOR(S) : Erik R. Chin and Tola I. Chin

Page 1 of 1

It is certified that error appears in the above-identified patent and that said Letters Patent is hereby corrected as shown below:

On the Title Page, Item (76)

Replace Tola L. Chin with

Tola I. Chin

Signed and Sealed this  
Fifteenth Day of March, 2011

A handwritten signature in black ink that reads "David J. Kappos". The signature is written in a cursive style with a large initial 'D' and 'K'.

David J. Kappos  
*Director of the United States Patent and Trademark Office*