



US00D629644S

(12) **United States Design Patent**
Zhuang et al.

(10) **Patent No.:** **US D629,644 S**
(45) **Date of Patent:** **** Dec. 28, 2010**

(54) **BOTTLE CAP WITH MISTER AND DRINKING SPOUT**

(76) Inventors: **York Zhuang**, A2 Building, Dahe Industrial Area, Huanguan South Road, Guan Lan, Shenzhen (CN) 518110; **Joe Zhou**, A2 Building, Dahe Industrial Area, Huanguan South Road, Guan Lan Town, Shenzhen, Guangdong Province (CN) 518110

(**) Term: **14 Years**

(21) Appl. No.: **29/312,052**

(22) Filed: **Sep. 29, 2008**

(51) **LOC (9) Cl.** **07-02**

(52) **U.S. Cl.** **D7/392.1**

(58) **Field of Classification Search** D7/507,
D7/510, 511, 638, 314, 392, 392.1, 396.1,
D7/396.2; D9/435, 436, 438, 439, 445, 447,
D9/449, 450, 452-454, 510, 709, 715, 718,
D9/781; 220/212, 241, 254.9, 270, 271,
220/345.1, 462, 547, 570, 575, 705, 715,
220/717, 708; 215/229, 309, 11.5, 313; 239/215,
239/289, 222.11

See application file for complete search history.

(56) **References Cited**

U.S. PATENT DOCUMENTS

2,608,841	A *	9/1952	Rice	215/309
D354,198	S *	1/1995	Chiang et al.	D7/510
D372,426	S *	8/1996	Garnett	D9/447
D373,928	S *	9/1996	Green	D7/392.1
D431,158	S *	9/2000	Schwab	D7/510
7,143,958	B1 *	12/2006	Dorney	215/229
D580,227	S *	11/2008	Roth et al.	D7/510
D586,183	S *	2/2009	Junkel	D7/511
D589,743	S *	4/2009	Pearson	D7/392

* cited by examiner

Primary Examiner—Cynthia M Chin
(74) *Attorney, Agent, or Firm*—Basil E. Demeur; Alan B. Samlan; David J. Hurley

(57) **CLAIM**

We claim the ornamental design for a bottle cap with mister and drinking spout, as shown and described.

DESCRIPTION

FIG. 1 is a front perspective view of the bottle cap with mister and drinking spout;

FIG. 2 is a rear perspective view of the bottle cap with mister and drinking spout shown in conjunction with a bottle in phantom;

FIG. 3 is a rear perspective view of the bottle cap with mister and drinking spout;

FIG. 4 is a front elevational view of the bottle cap with mister and drinking spout;

FIG. 5 is a rear elevational view of the bottle cap with mister and drinking spout;

FIG. 6 is a side elevational view of the bottle cap with mister and drinking spout;

FIG. 7 is a side elevational view of the opposed side of the bottle cap with mister and drinking spout;

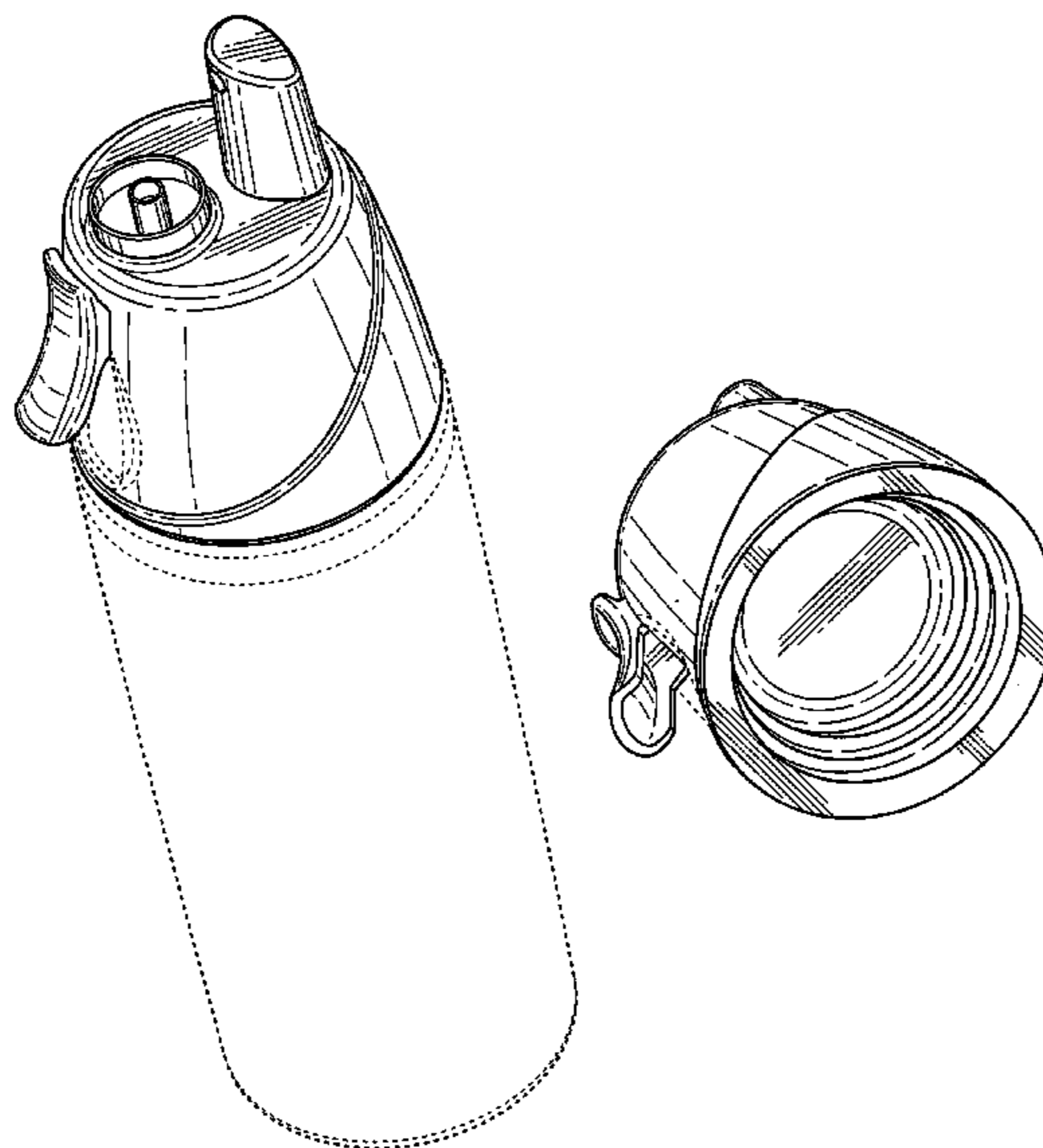
FIG. 8 is a top view of the bottle cap with mister and drinking spout;

FIG. 9 is a bottom view of the bottle cap with mister and drinking spout viewed with a bottle in phantom connected thereto; and,

FIG. 10 is a bottom view of the bottle cap with mister and drinking spout.

The broken lines represent portions of the design that form no part of the claim.

1 Claim, 8 Drawing Sheets



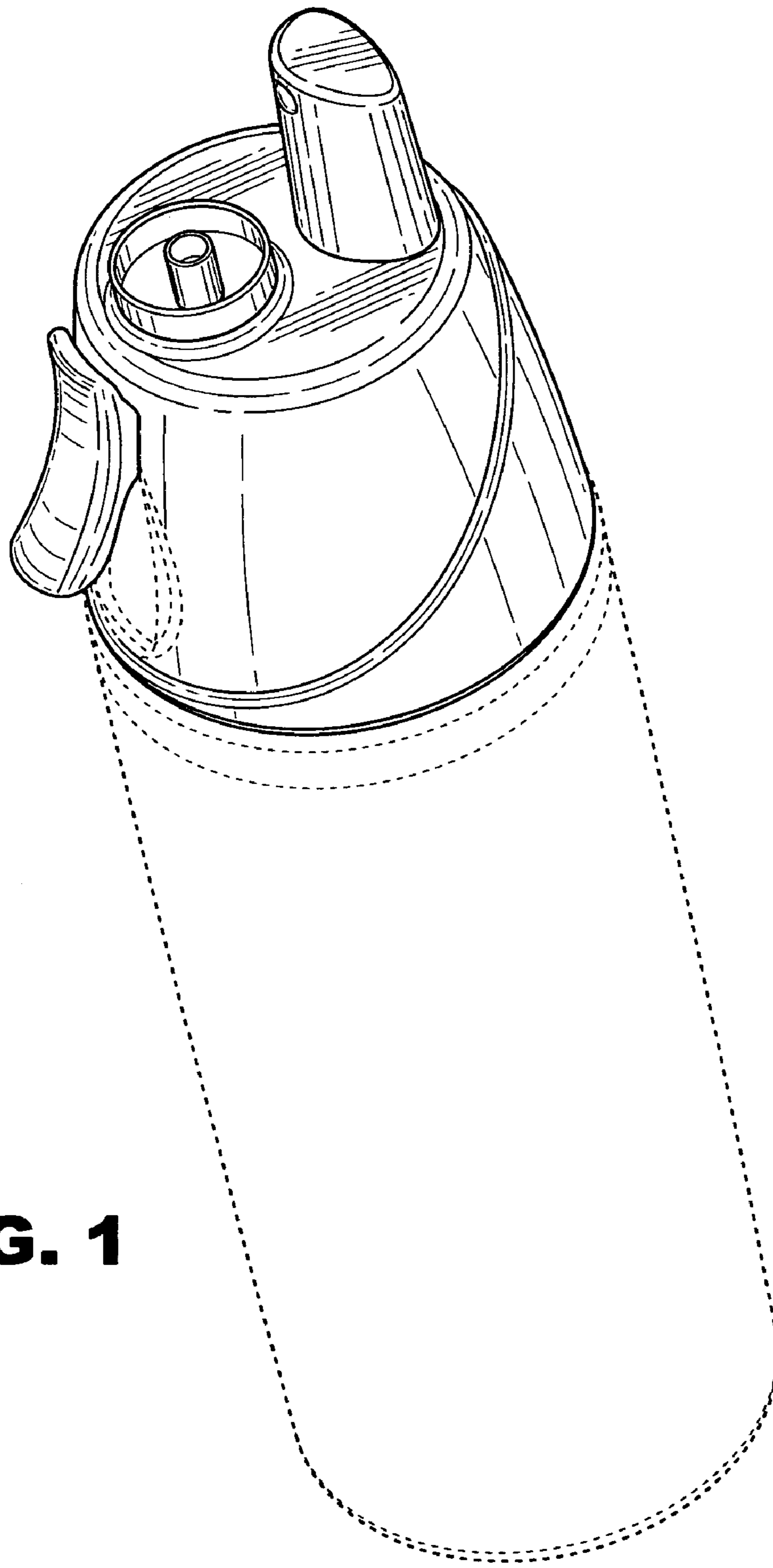


FIG. 1

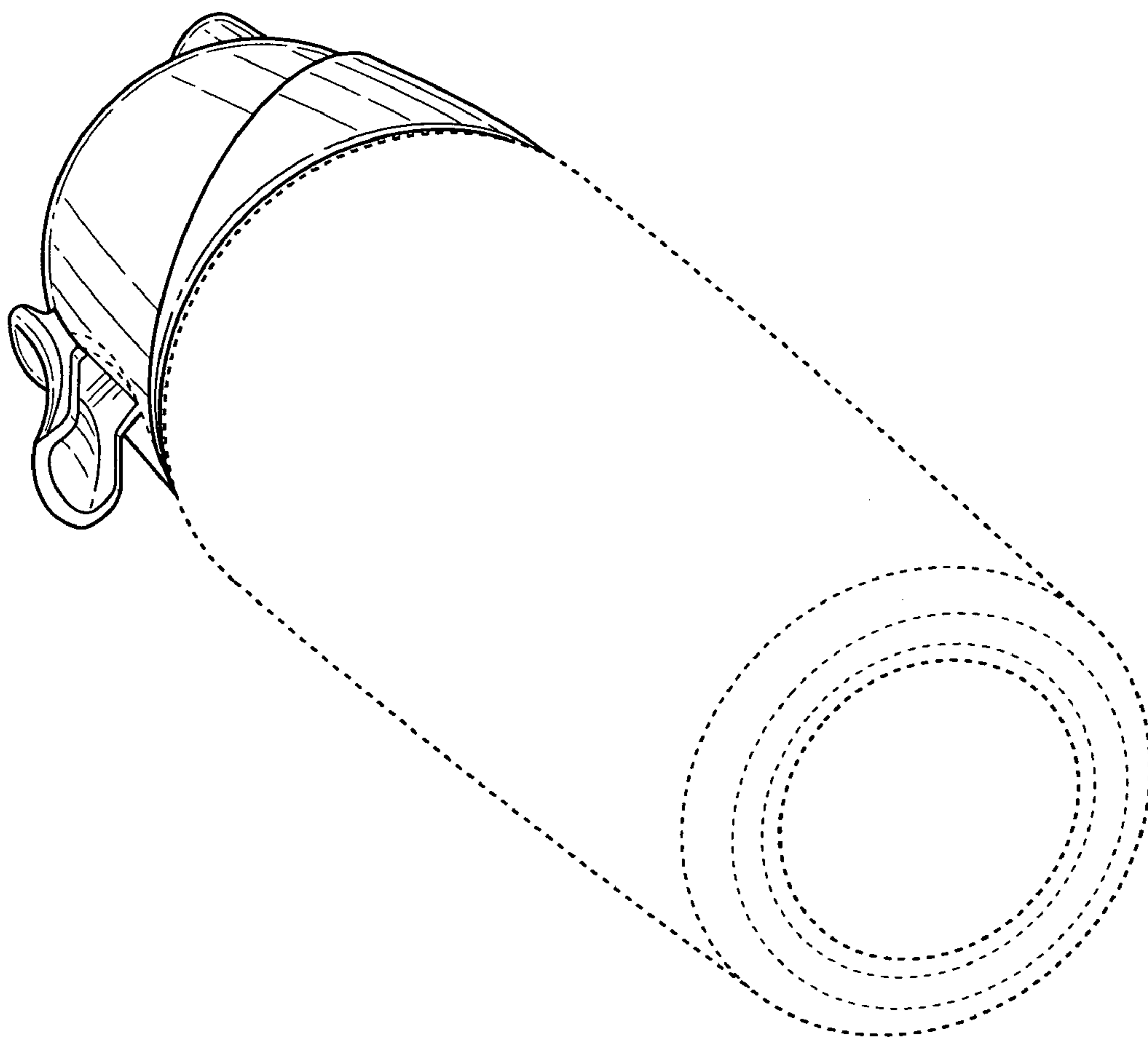


FIG. 2

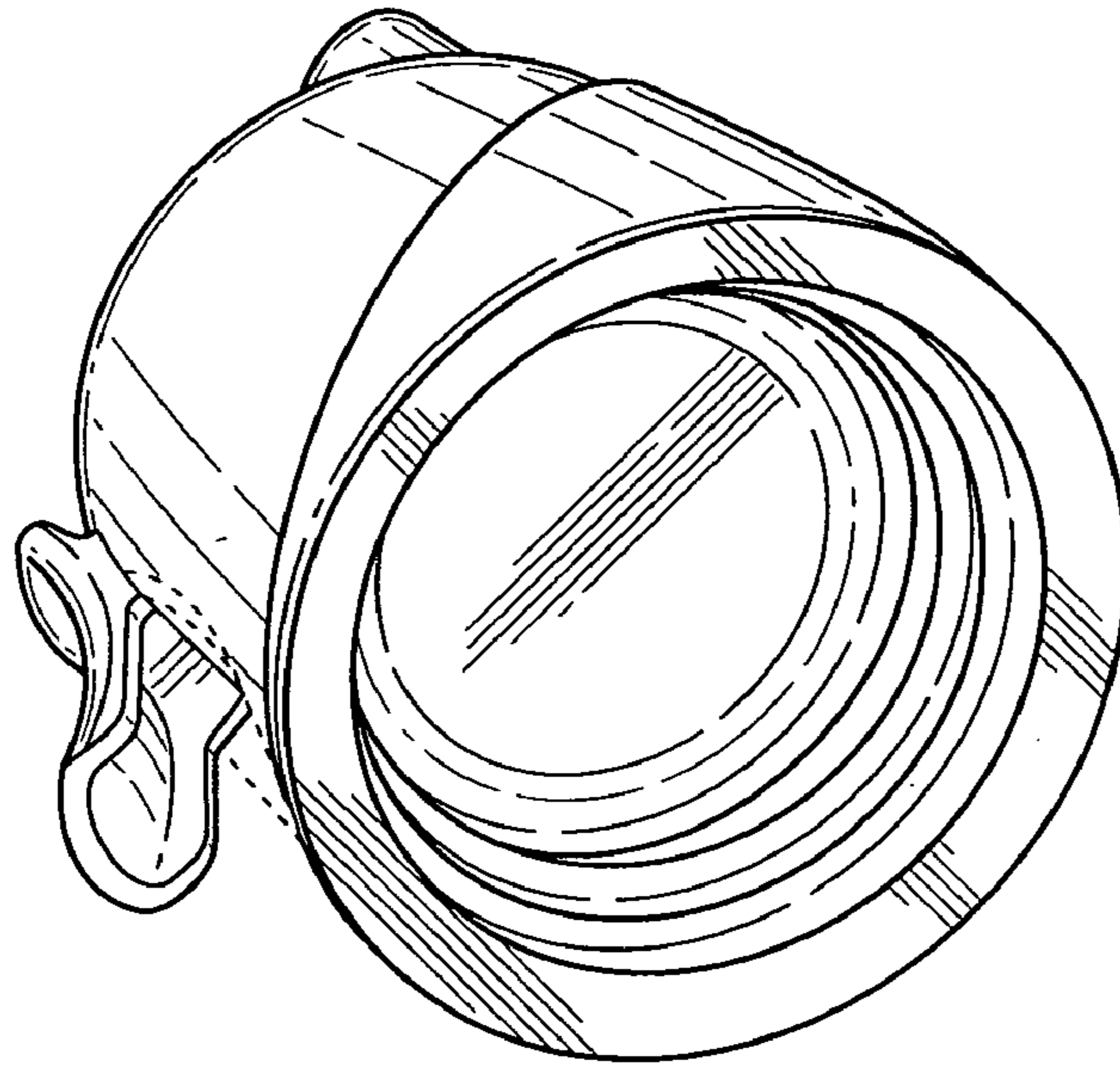


FIG. 3

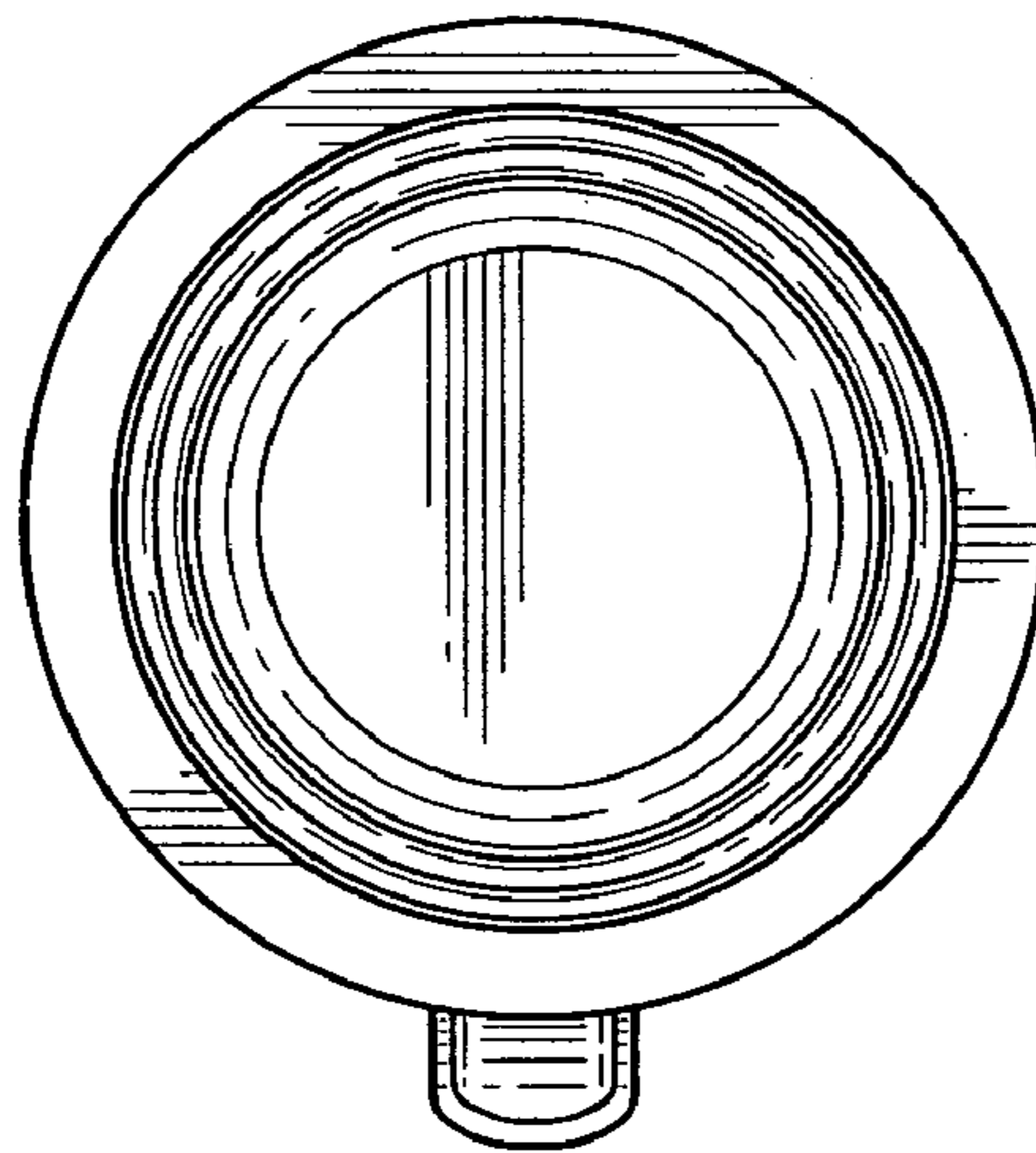


FIG. 10

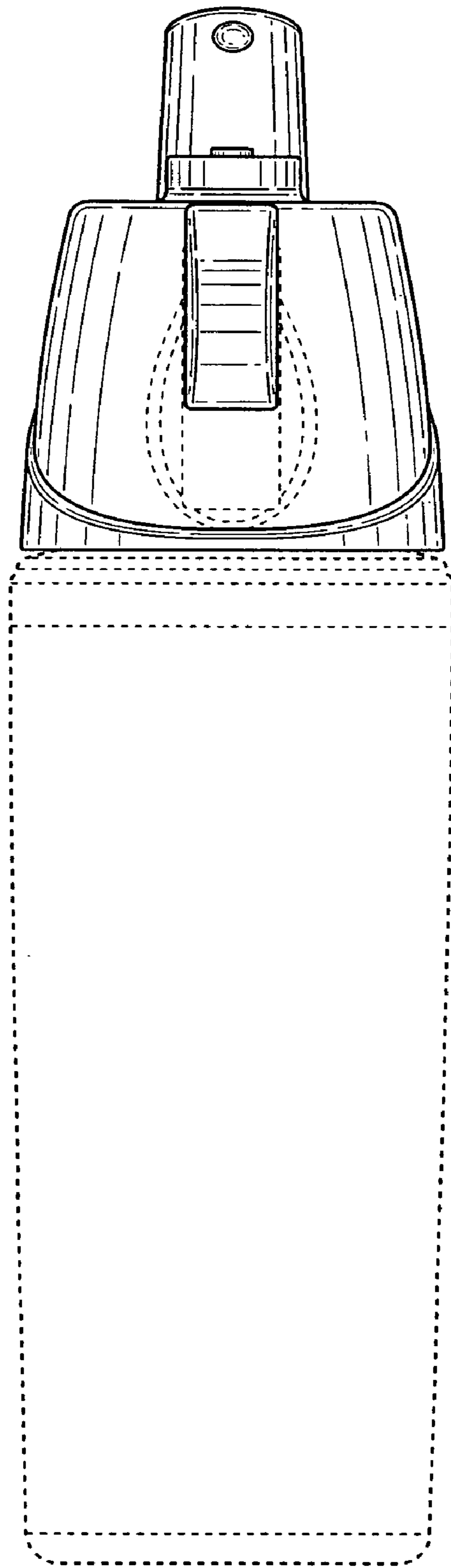


FIG. 4

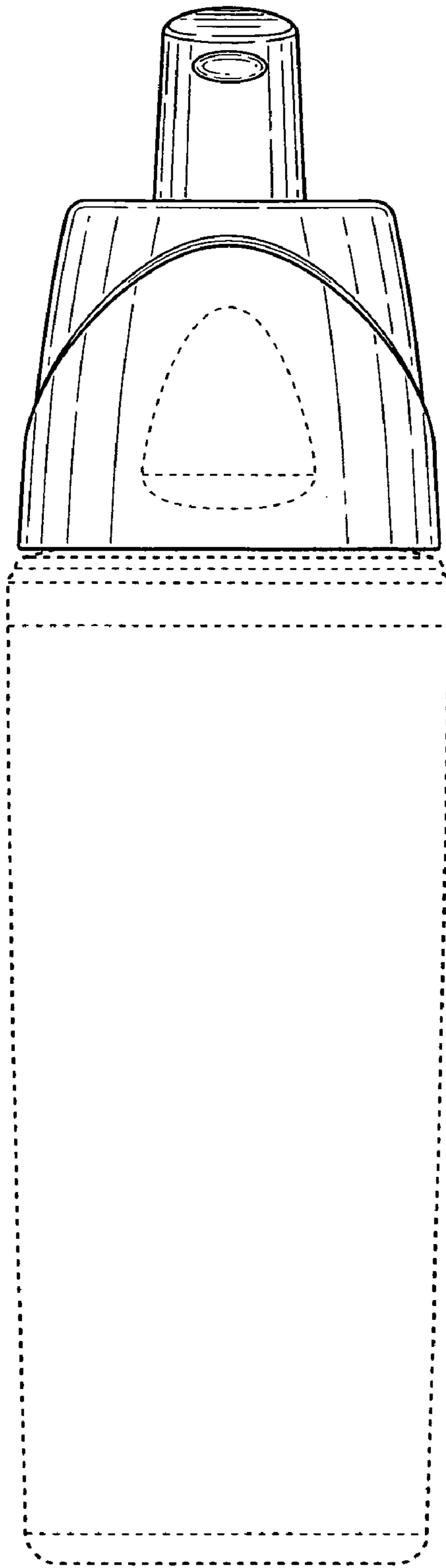


FIG. 5

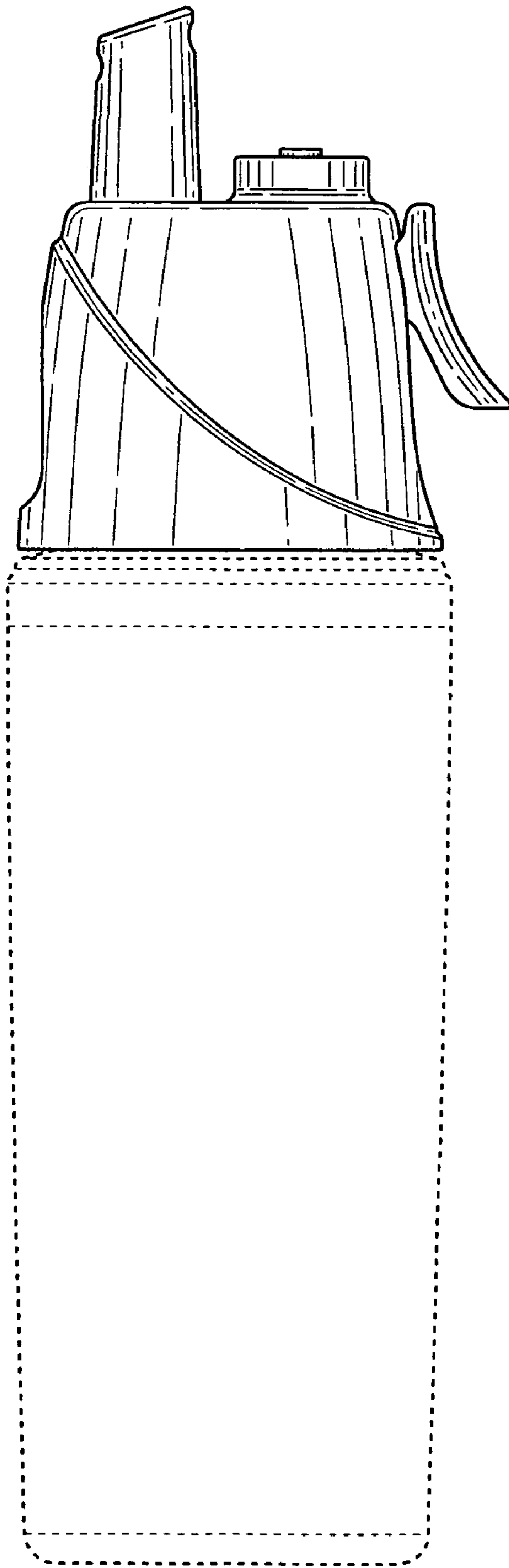


FIG. 6

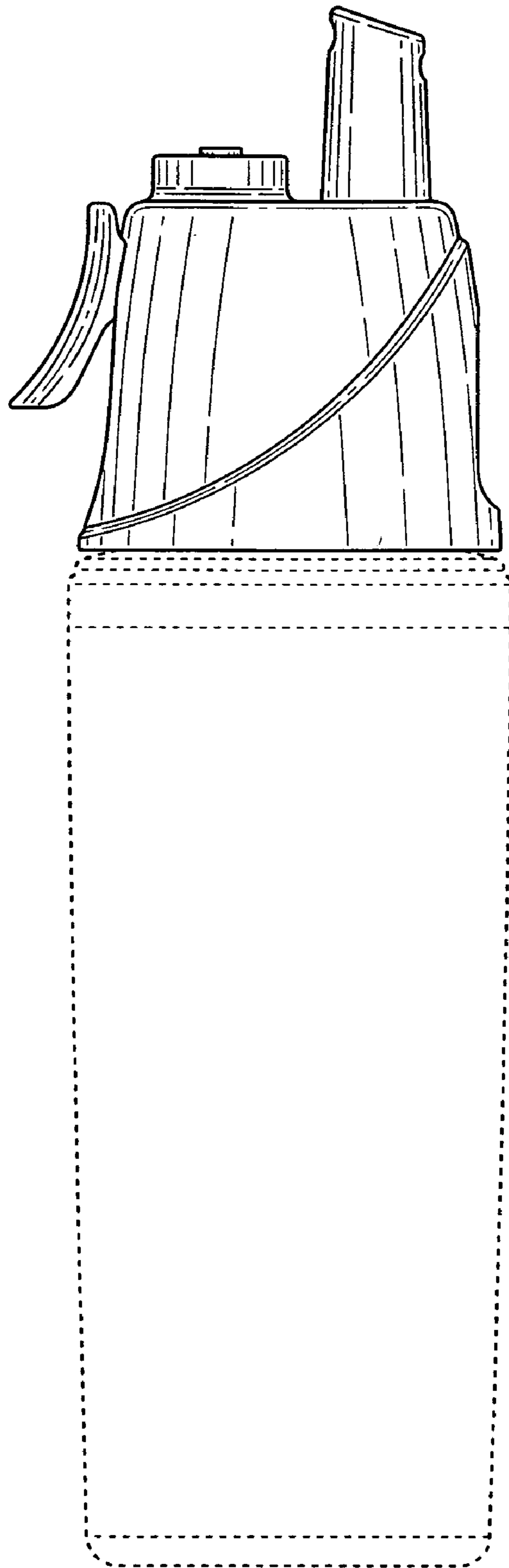


FIG. 7

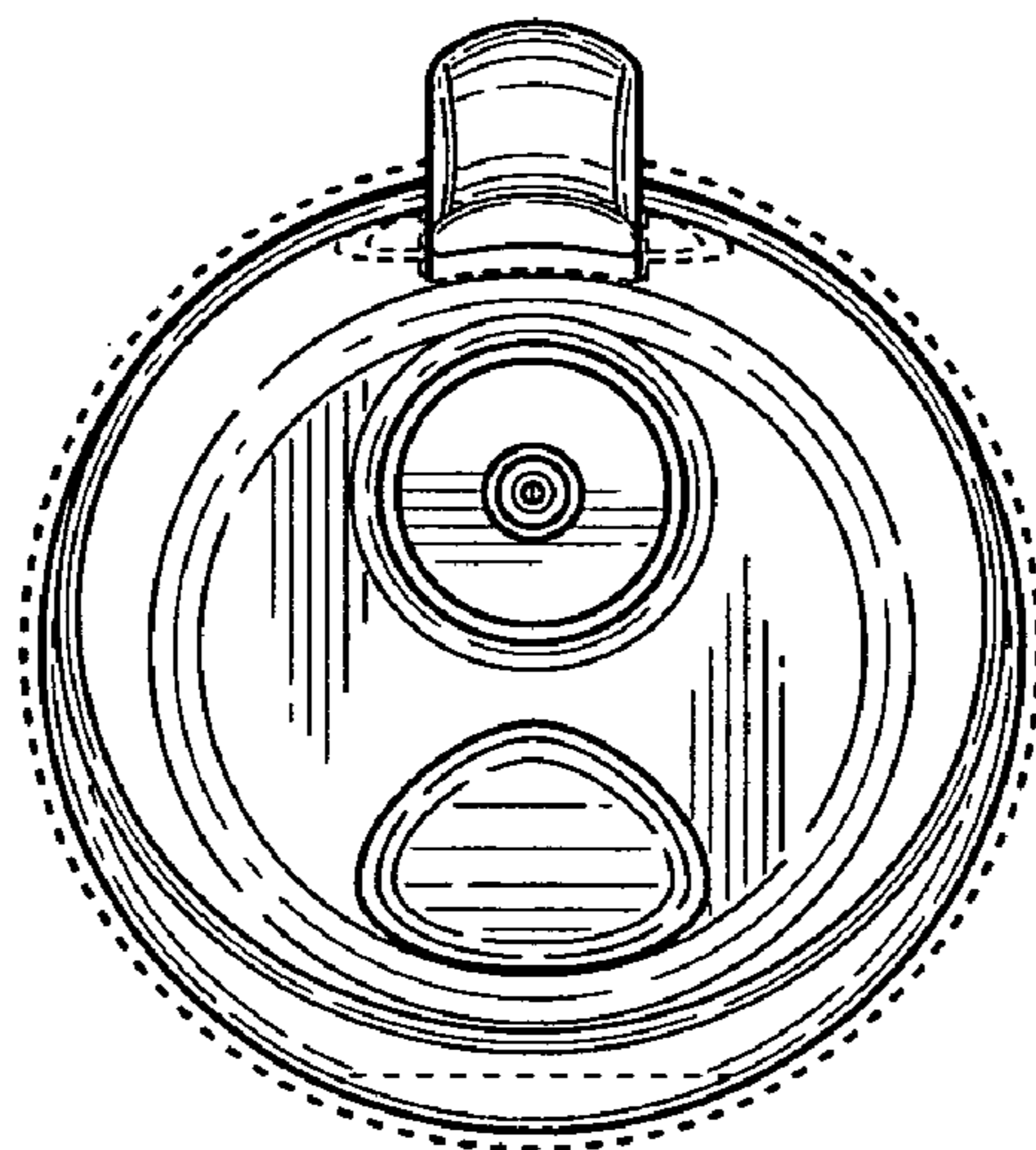


FIG. 8

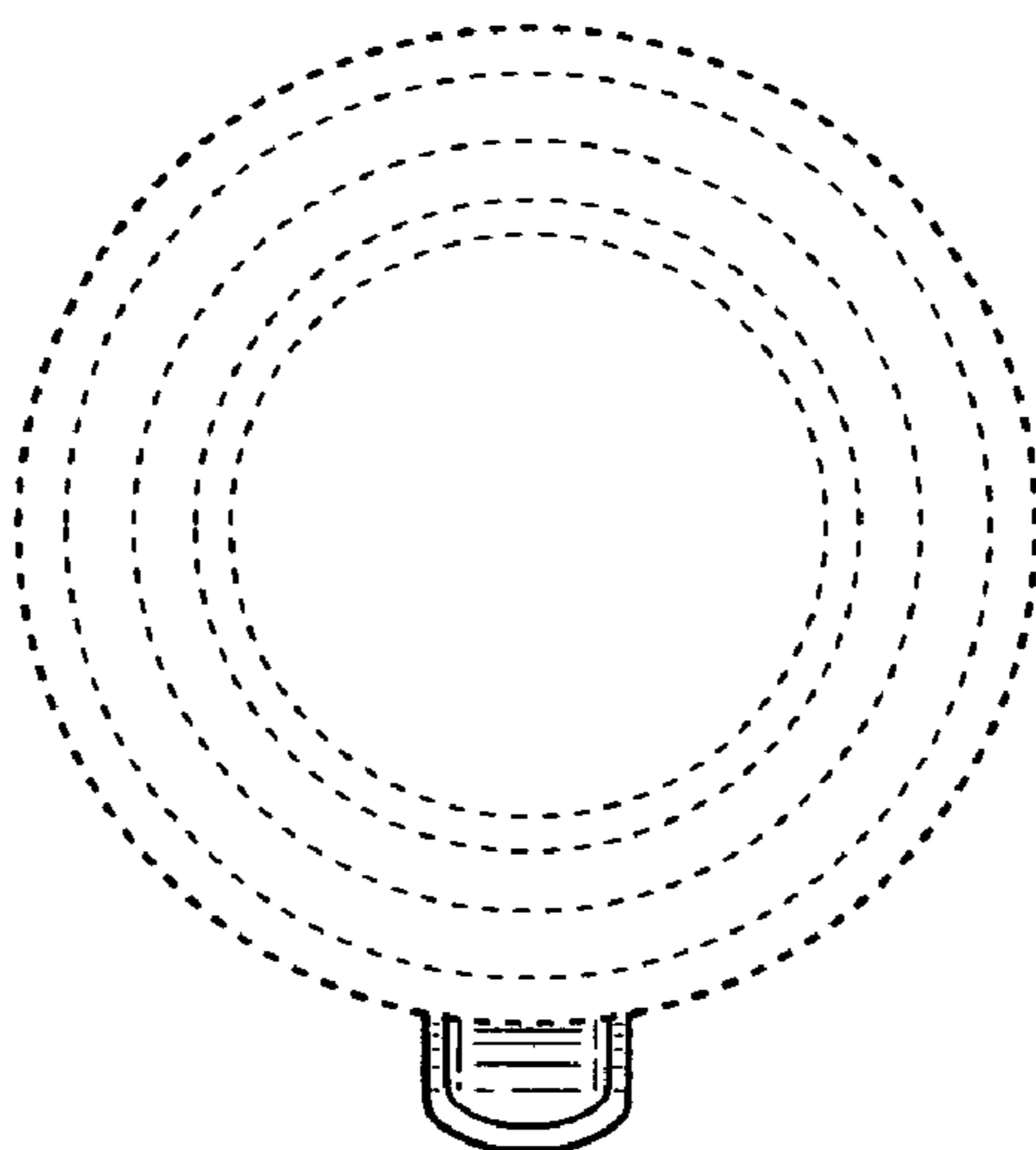


FIG. 9