



US00D629643S

(12) **United States Design Patent**  
**Bower**

(10) **Patent No.:** **US D629,643 S**

(45) **Date of Patent:** **\*\* Dec. 28, 2010**

(54) **COMBINED STEAMER AND BLENDER**

(75) Inventor: **Andrew Bower**, Cambridge (GB)

(73) Assignee: **Koninklijke Philips Electronics N.V.**,  
Eindhoven (NL)

(\*\*) Term: **14 Years**

(21) Appl. No.: **29/355,090**

(22) Filed: **Feb. 2, 2010**

(30) **Foreign Application Priority Data**

Aug. 7, 2009 (EM) ..... 001599275-0001

(51) **LOC (9) Cl.** ..... **31-00**

(52) **U.S. Cl.** ..... **D7/378; D7/376; D7/384**

(58) **Field of Classification Search** ..... D7/305-311,  
D7/317-318, 372-373, 376-386, 412-415,  
D7/665; 99/348, 509-511; 241/30-37.5,  
241/101.01-101.2, 166-169.1, 285.1-285.3,  
241/291, 292.1; 366/64-67, 98, 142, 197-211,  
366/241-254, 279-292, 341-347  
See application file for complete search history.

(56) **References Cited**

**U.S. PATENT DOCUMENTS**

D204,924 S \* 5/1966 De Sesa ..... D7/378  
D366,595 S \* 1/1996 Dobson et al. .... D7/384

D517,859 S \* 3/2006 Fung ..... D7/372  
D518,994 S \* 4/2006 Lin ..... D7/378  
D529,758 S \* 10/2006 Beesley et al. .... D7/378  
D543,072 S \* 5/2007 Ting et al. .... D7/378  
D549,043 S \* 8/2007 Beesley et al. .... D7/378  
D553,426 S \* 10/2007 Lin ..... D7/378  
D556,506 S \* 12/2007 Spagnolo ..... D7/378  
D578,340 S \* 10/2008 Picozza et al. .... D7/378  
D603,215 S \* 11/2009 Hollinger ..... D7/386  
D617,603 S \* 6/2010 Garman et al. .... D7/373  
D621,206 S \* 8/2010 Matta et al. .... D7/372

\* cited by examiner

*Primary Examiner*—Ricky Pham

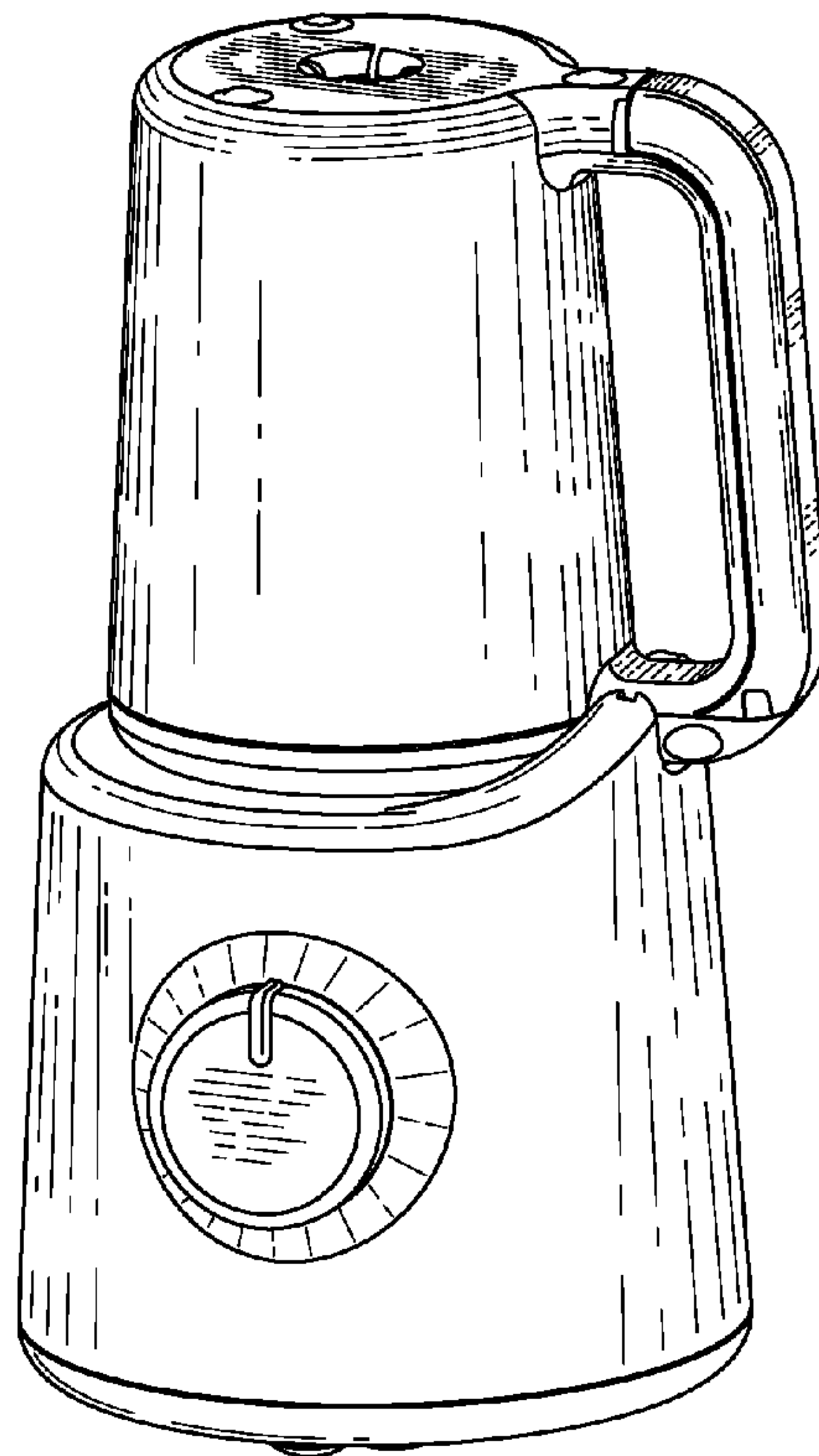
(57) **CLAIM**

The ornamental design for a combined steamer and blender,  
as shown.

**DESCRIPTION**

FIG. 1 is a perspective view showing my design;  
FIG. 2 is a front elevational view thereof;  
FIG. 3 is a rear elevational view thereof;  
FIG. 4 is a right side elevational view thereof;  
FIG. 5 is a left side elevational view thereof;  
FIG. 6 is a top plan view thereof; and,  
FIG. 7 is a bottom plan view thereof.

**1 Claim, 4 Drawing Sheets**



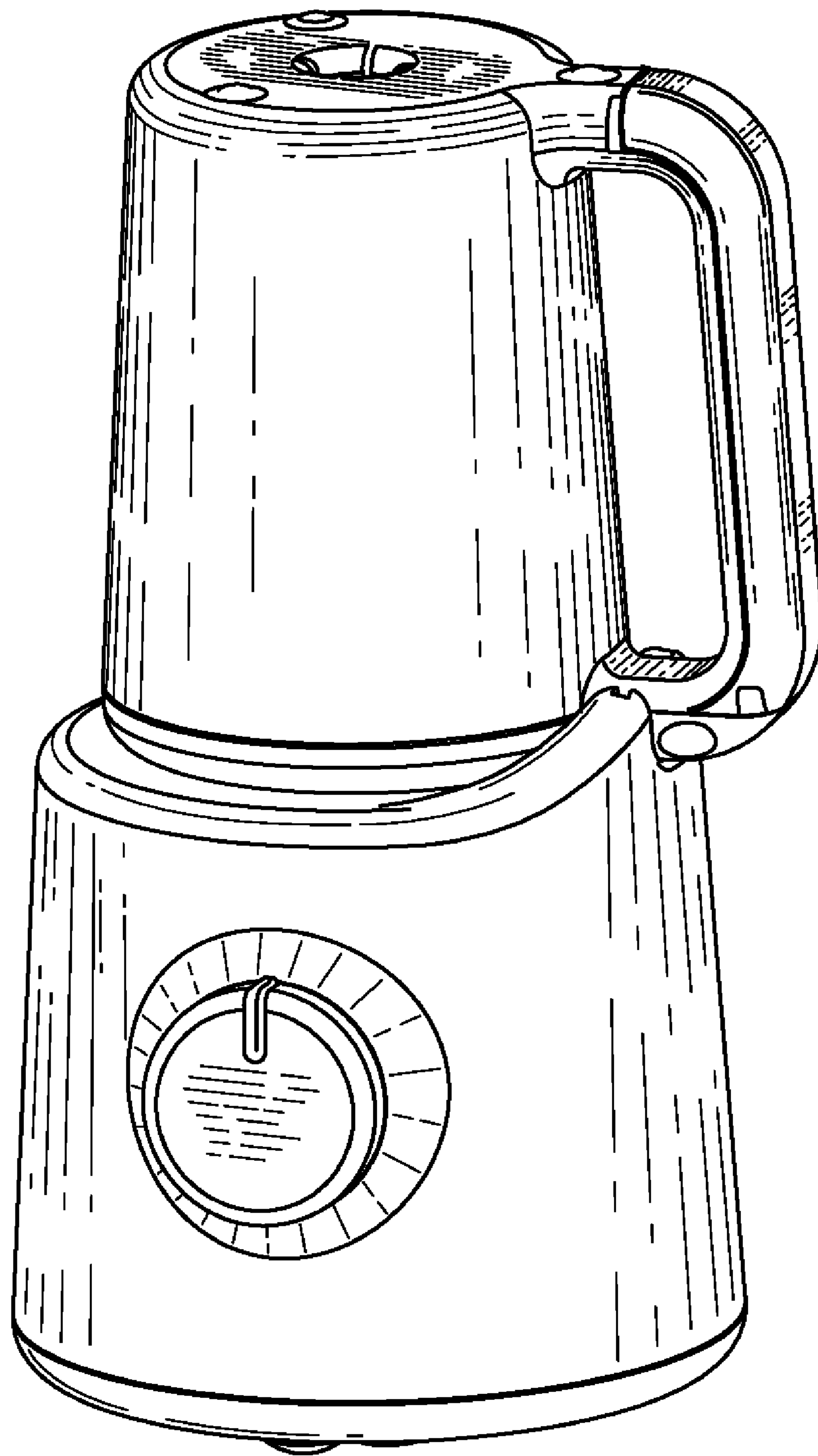


FIG. 1

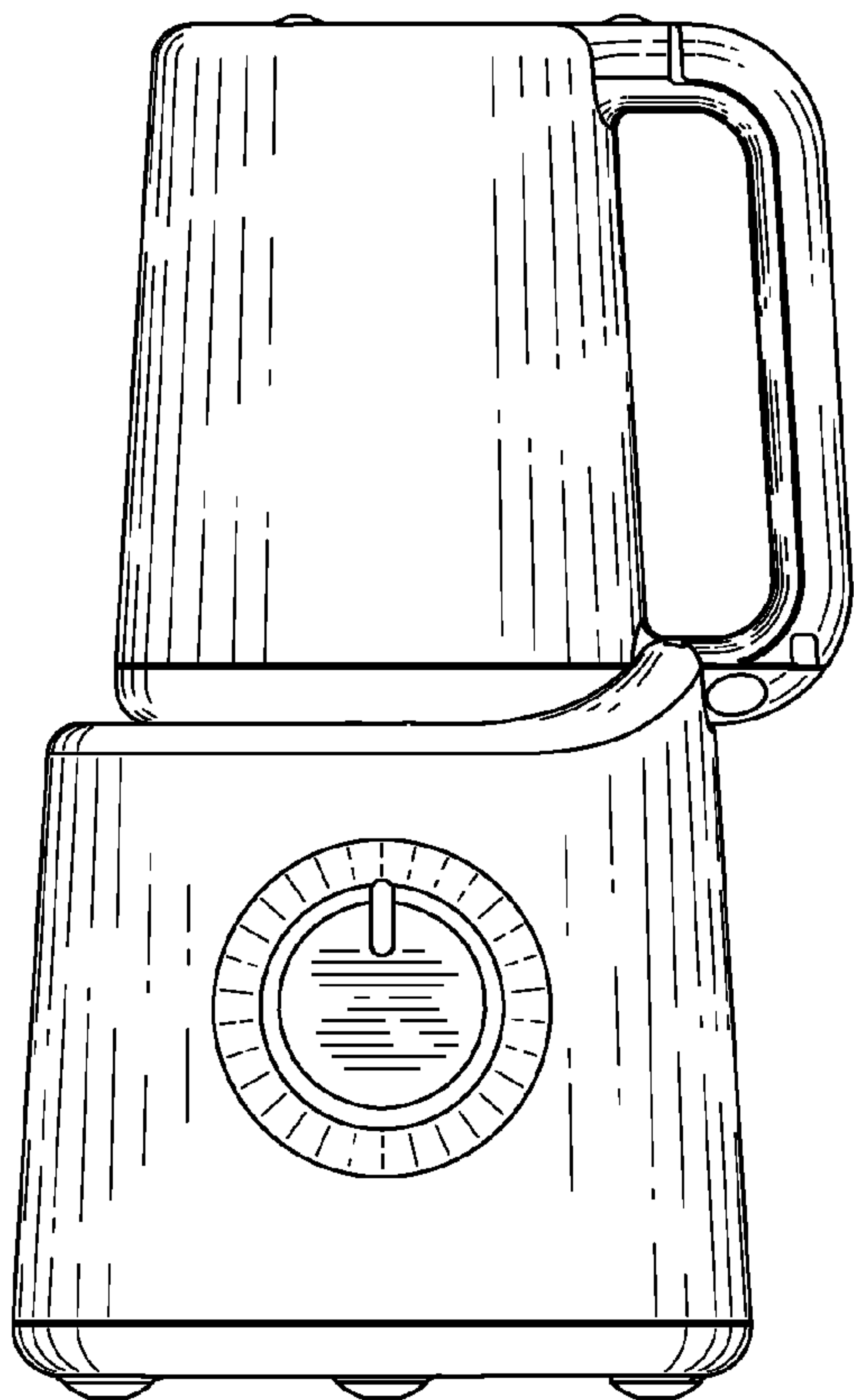


FIG. 2

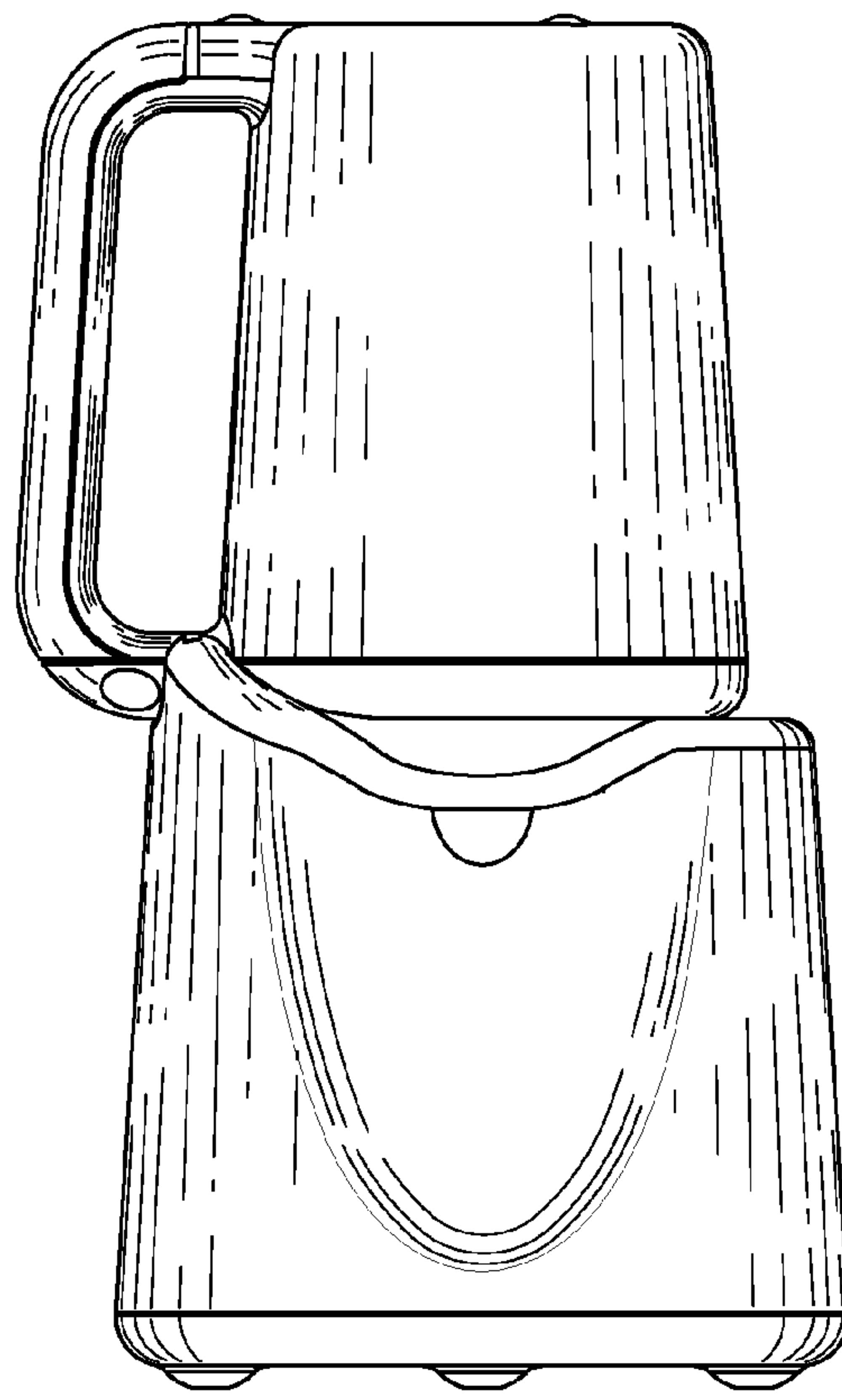


FIG. 3

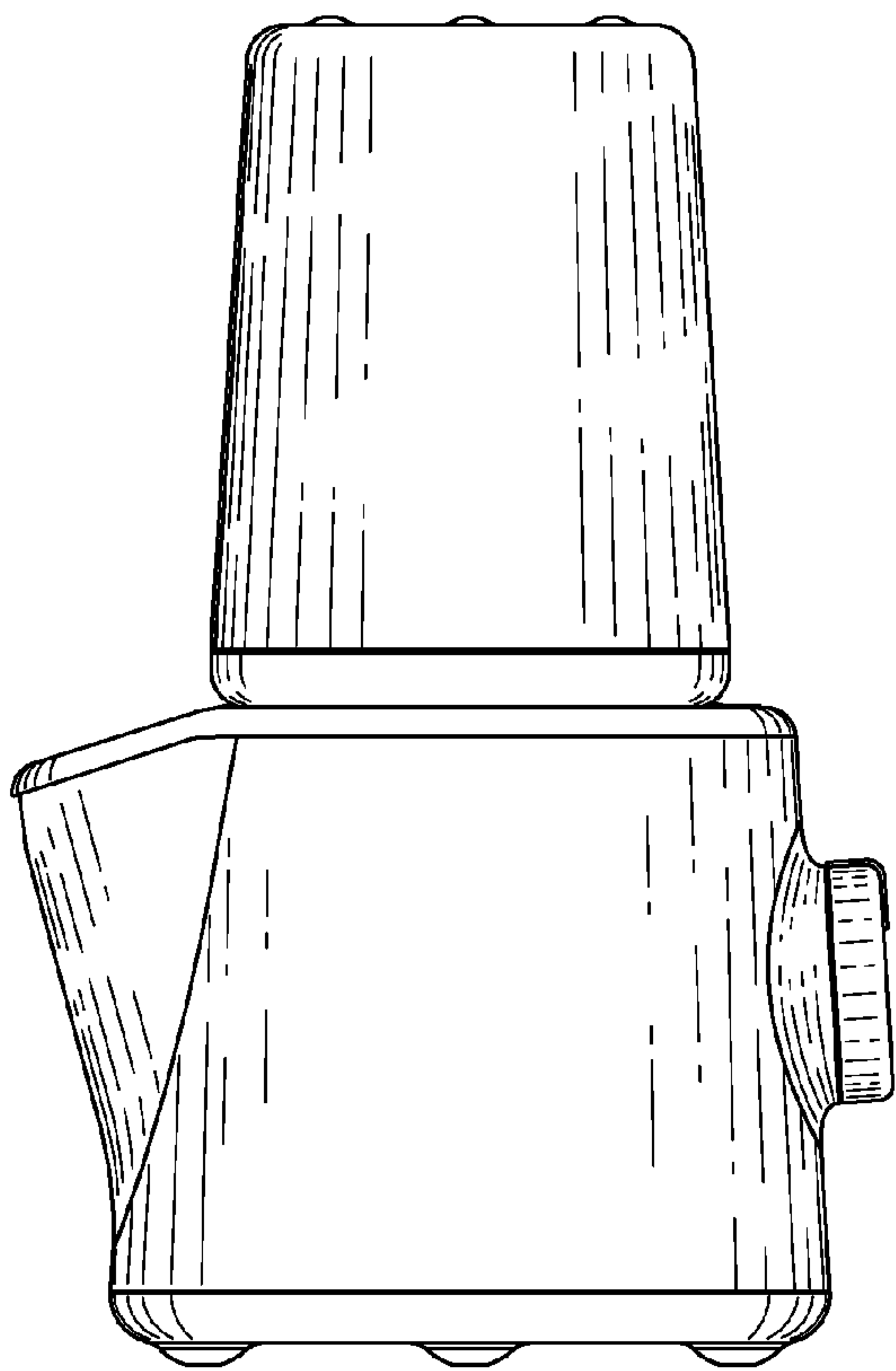


FIG. 4

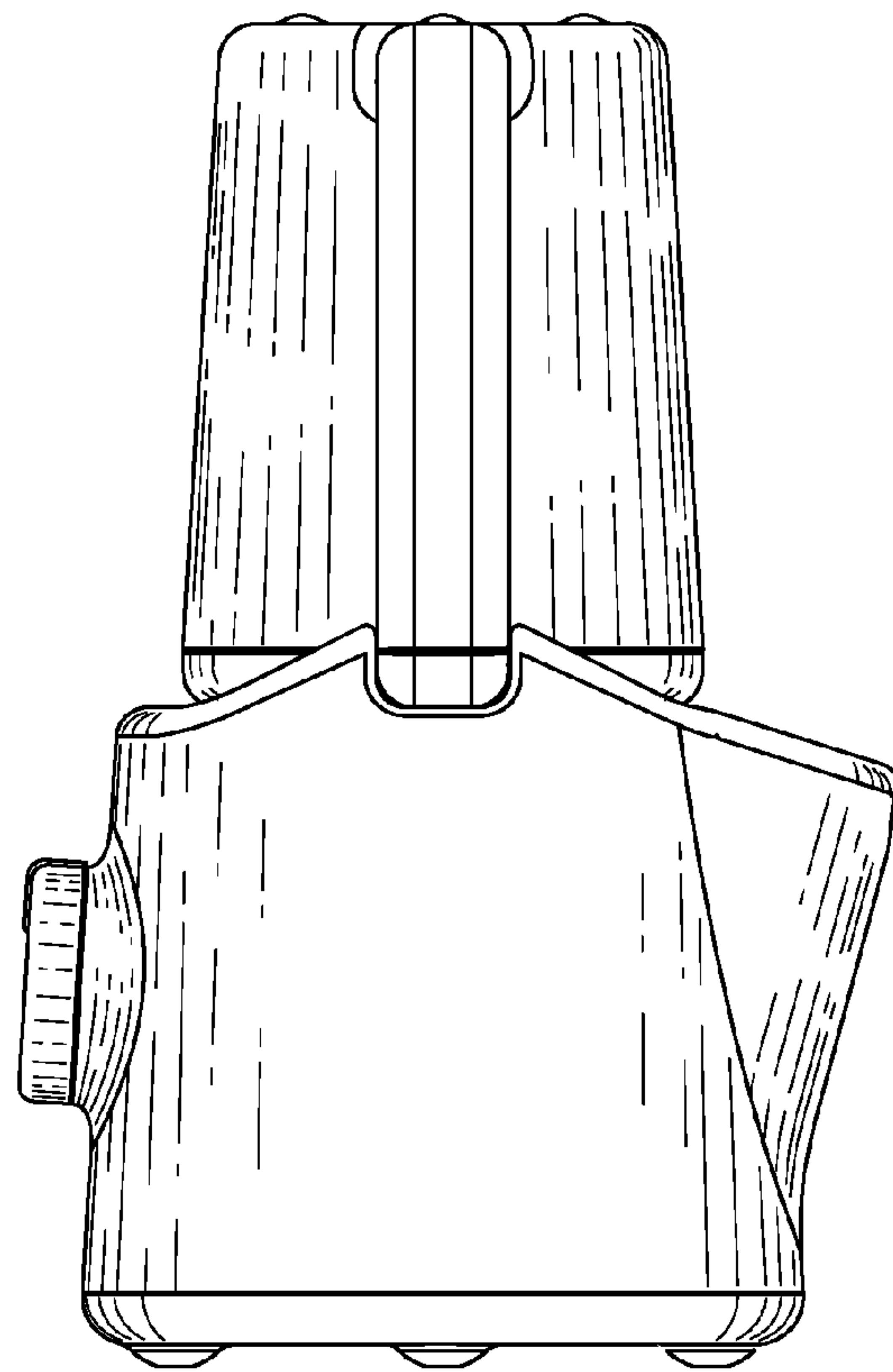


FIG. 5

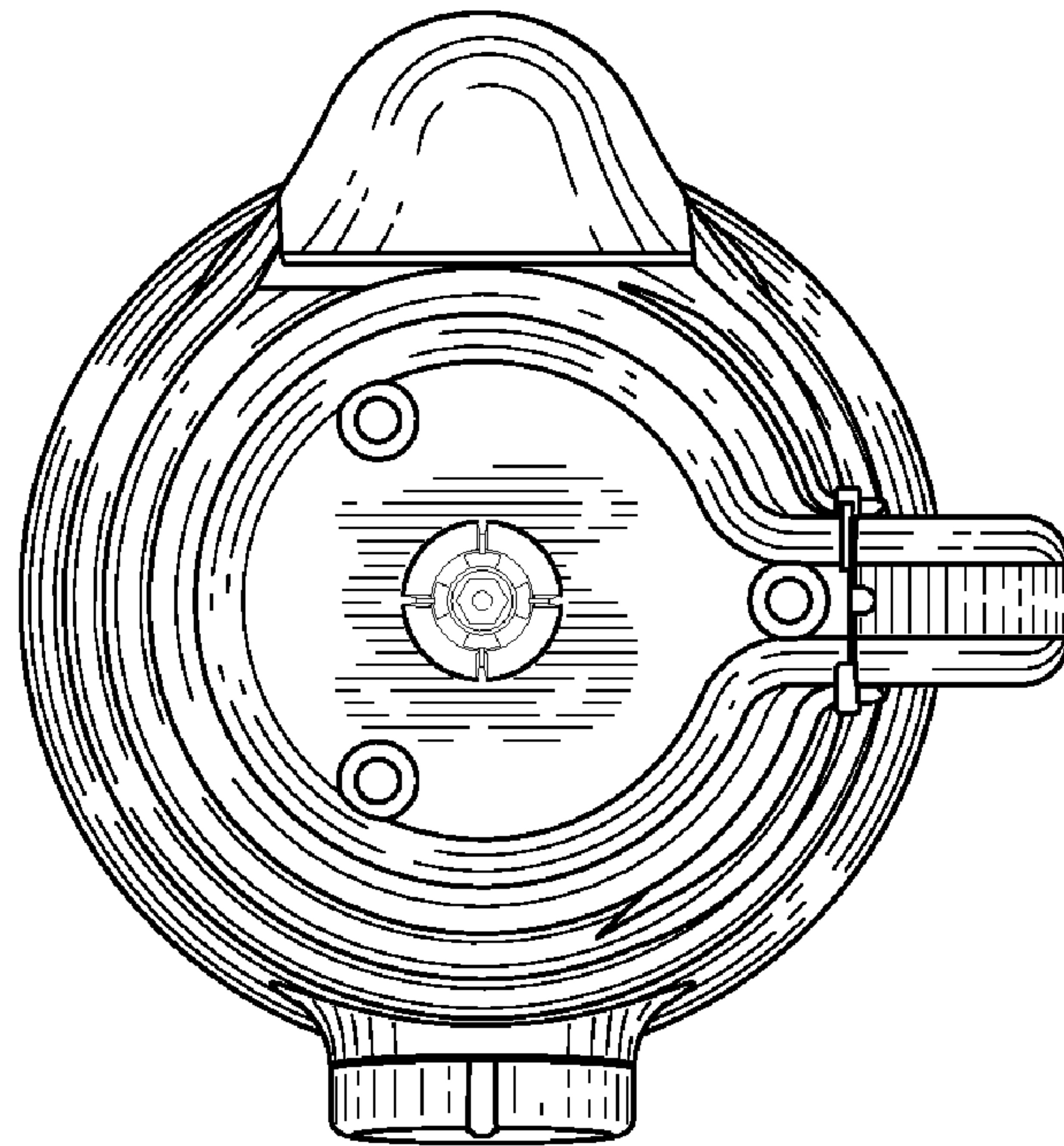


FIG. 6

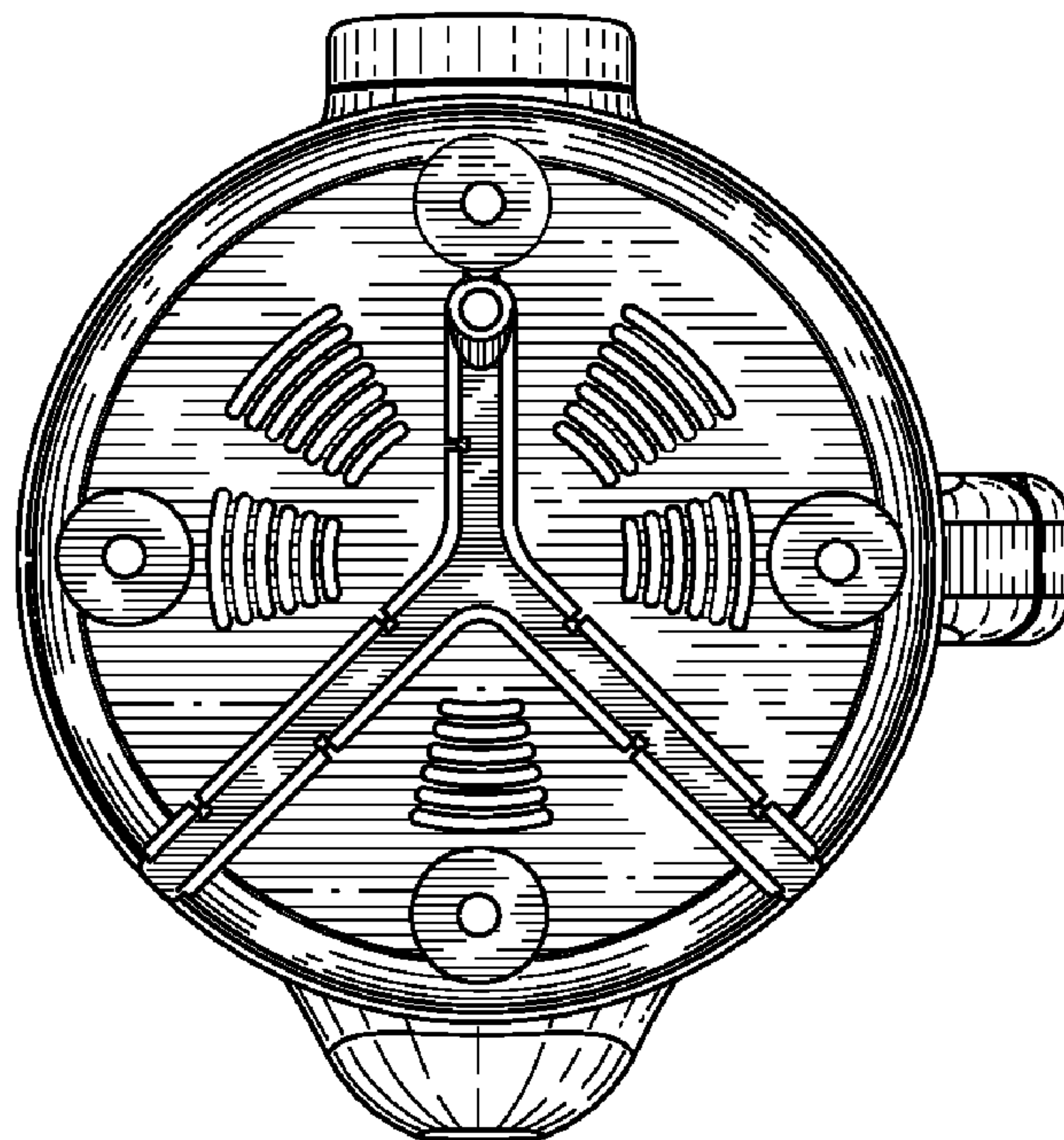


FIG. 7