



US00D629641S

(12) **United States Design Patent**
Kuan

(10) **Patent No.:** **US D629,641 S**

(45) **Date of Patent:** **** Dec. 28, 2010**

(54) **CAKE BAKING CUP WITH PORTABLE CAP**

(76) Inventor: **Huo Feng Hsia Kuan**, No. 32, Lane 2,
Show-Gang Wu Street, Hsin-Tieñ, Taipei
Hsien (TW)

(**) Term: **14 Years**

(21) Appl. No.: **29/366,833**

(22) Filed: **Jul. 30, 2010**

(51) **LOC (9) Cl.** **07-02**

(52) **U.S. Cl.** **D7/354**

(58) **Field of Classification Search** D1/101–102,
D1/105–106, 118, 122, 127, 129; D3/271.1;
D7/323, 354–363, 402, 523, 526, 530, 554.2,
D7/554.4, 560–566, 584–588, 601–602, 604,
D7/606, 610, 628, 672–677; D9/420, 428–429,
D9/643; D11/164; D21/402; D23/367;
D25/7, 10; D34/4; 220/573.1–573.3, 912;
249/58, 117, 119, 121, 136

See application file for complete search history.

(56) **References Cited**

U.S. PATENT DOCUMENTS

D151,559 S *	10/1948	Sachs	D25/10
D229,924 S *	1/1974	Brown	D25/7
D268,059 S *	2/1983	Kracke	D34/4
D288,486 S *	2/1987	Skinner	D25/10
D289,100 S *	4/1987	Frisch	D1/127
D325,112 S *	4/1992	Thompson	D1/118
D328,705 S *	8/1992	Krupa	D9/420
D375,683 S *	11/1996	Schoff	D9/429
D395,230 S *	6/1998	Slater	D9/643
D398,135 S *	9/1998	Biniaris	D1/101
D404,535 S *	1/1999	Biniaris	D1/101
D420,440 S *	2/2000	El-Assir	D23/367

D434,698 S *	12/2000	Weder et al.	D11/164
6,176,375 B1 *	1/2001	Truscello et al.	206/776
D452,821 S *	1/2002	Westphal	D9/429
D498,031 S *	11/2004	Diamond et al.	D1/102
D510,960 S *	10/2005	Choi	D21/402
D521,872 S *	5/2006	Wu	D9/643
D527,520 S *	9/2006	Green	D3/271.1
D531,496 S *	11/2006	Mansuino	D9/428
D594,285 S *	6/2009	Merey	D7/610
D600,496 S *	9/2009	Fernandes	D7/354
D601,379 S *	10/2009	De Leo	D7/354
D609,963 S *	2/2010	Braden	D7/359
D616,260 S *	5/2010	Facey et al.	D7/675

* cited by examiner

Primary Examiner—Ricky Pham

(74) *Attorney, Agent, or Firm*—Guice Patents PLLC

(57) **CLAIM**

The ornamental design for a cake baking cup with portable cap, as shown and described.

DESCRIPTION

FIG. 1 is a perspective view of a cake baking cup with portable cap showing the design;

FIG. 2 is an exploded perspective view of the design of FIG. 1, shown with the cap removed for completeness of illustration;

FIG. 3 is a front side view thereof;

FIG. 4 is a right side view thereof;

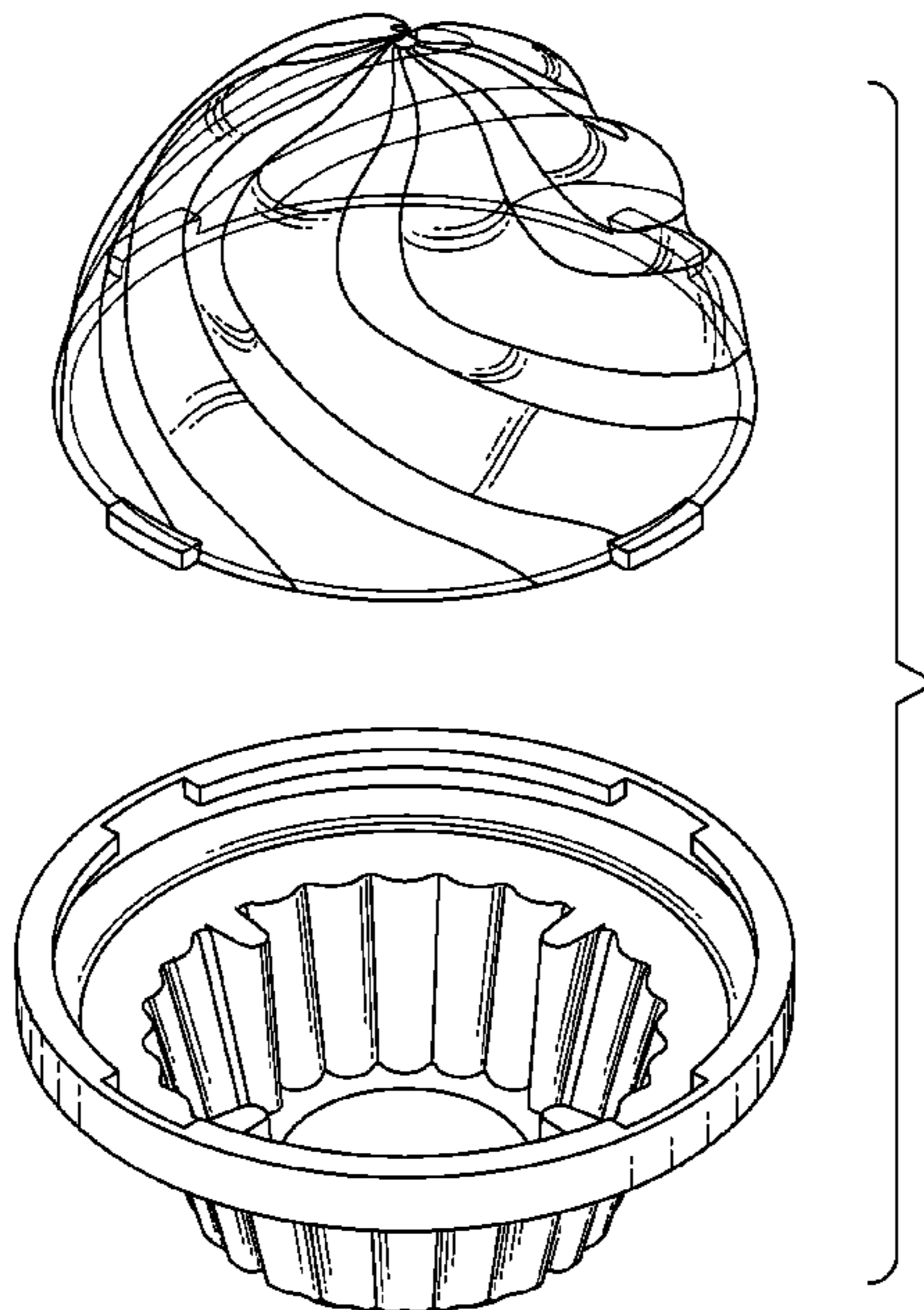
FIG. 5 is a top plan view thereof;

FIG. 6 is a bottom plan view thereof;

FIG. 7 is a rear side view thereof; and,

FIG. 8 is a left side view thereof.

1 Claim, 5 Drawing Sheets



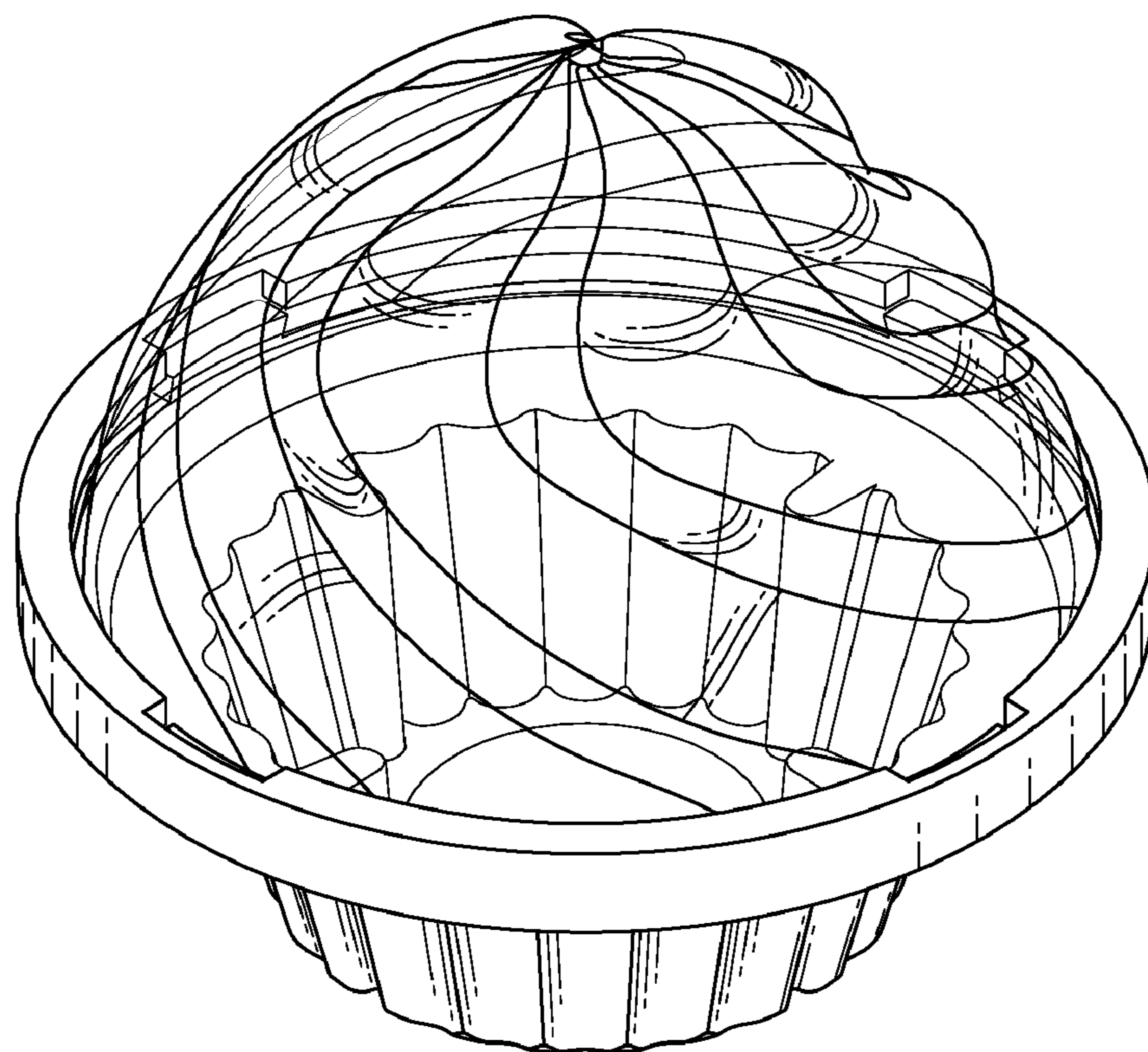


FIG. 1

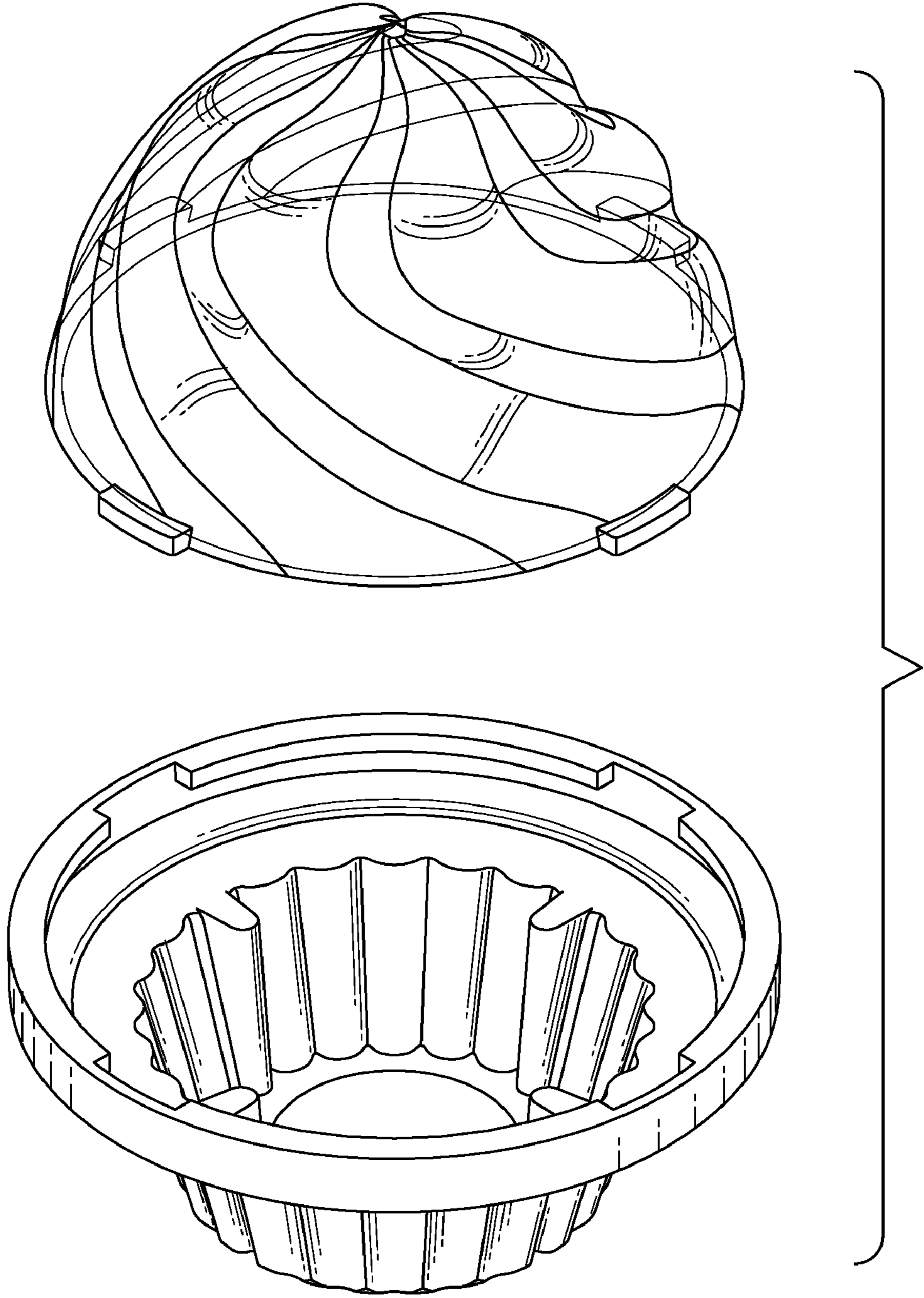


FIG. 2

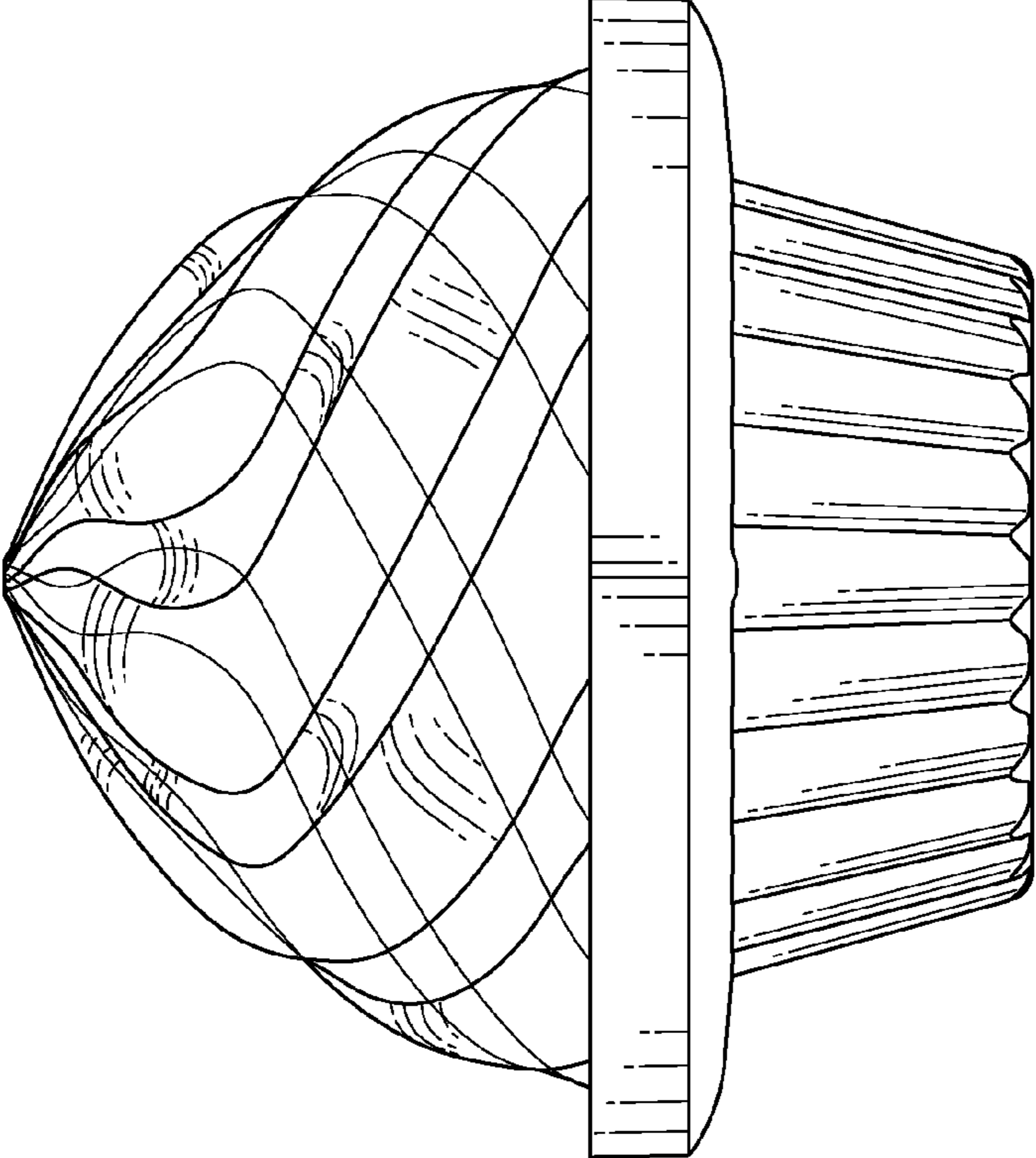


FIG. 3

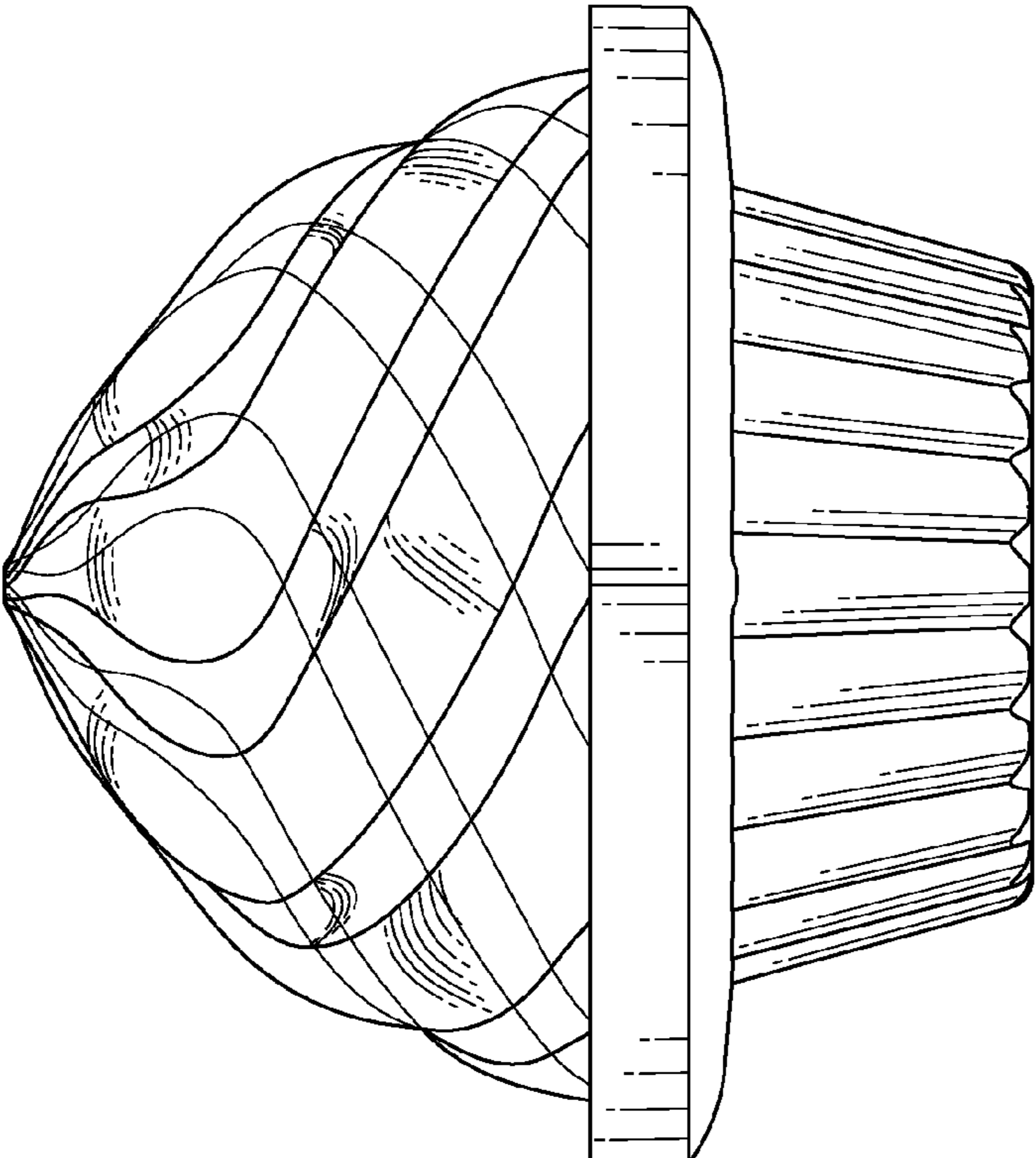


FIG. 4

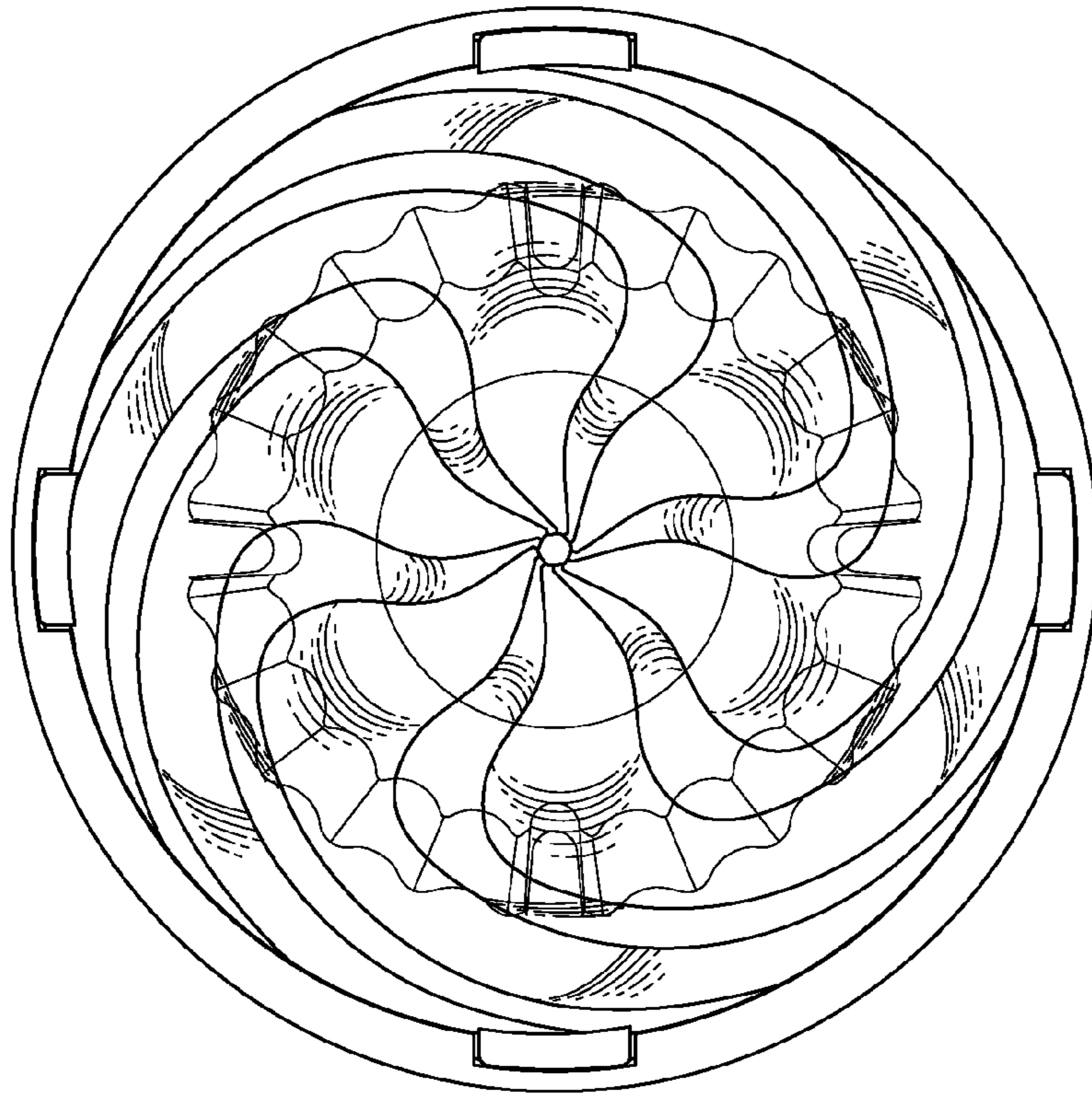


FIG. 5

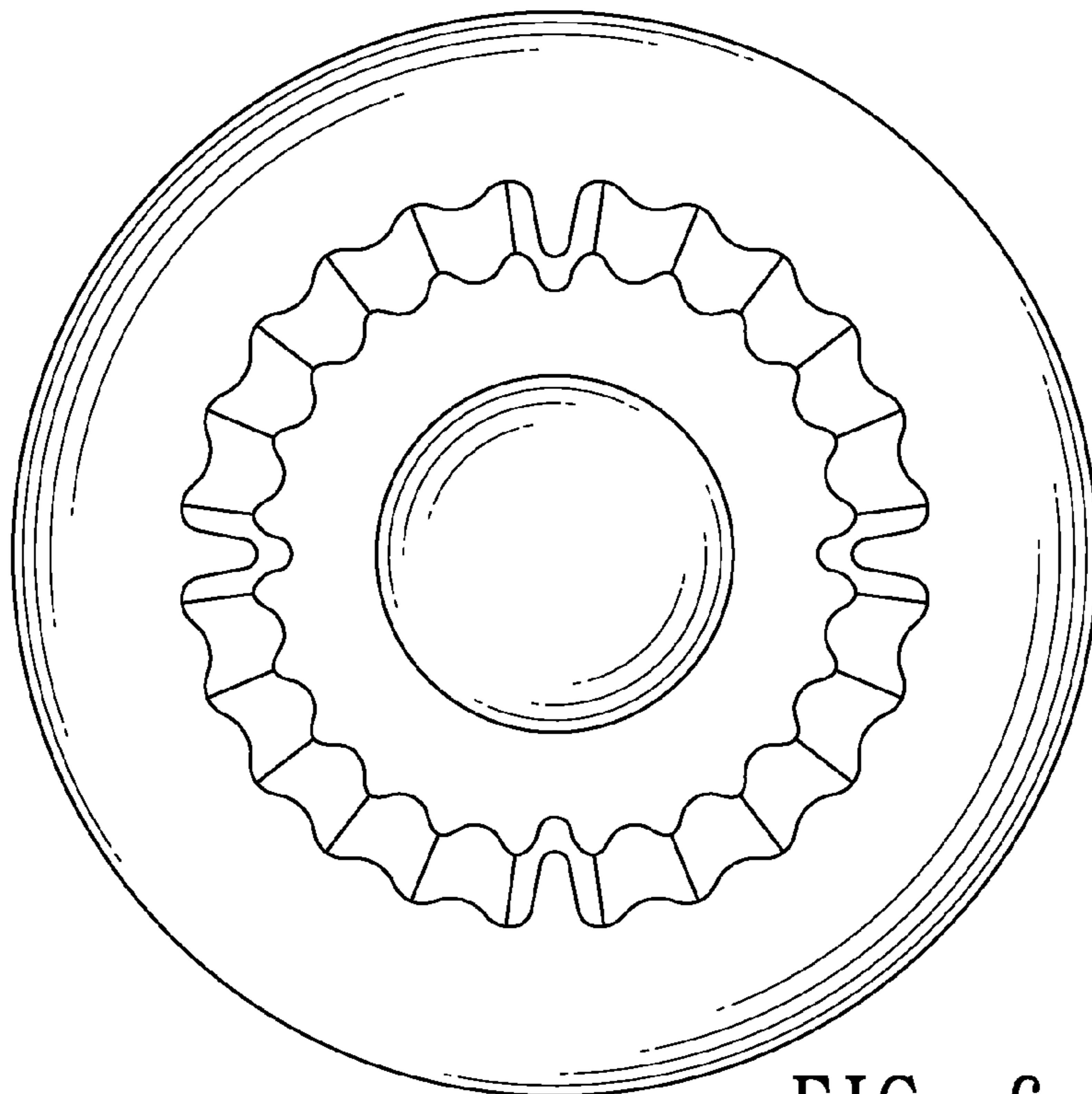


FIG. 6

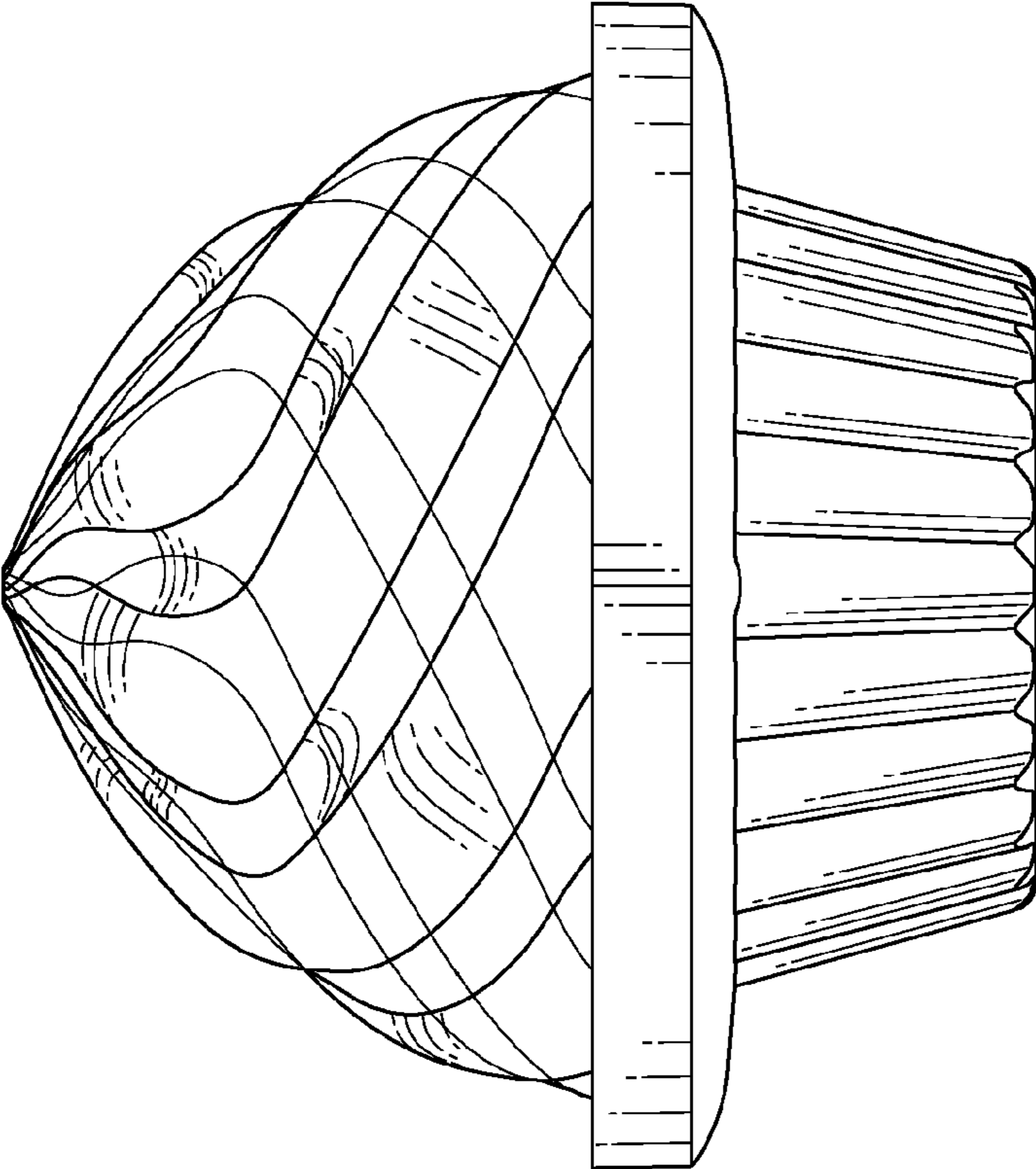


FIG. 8

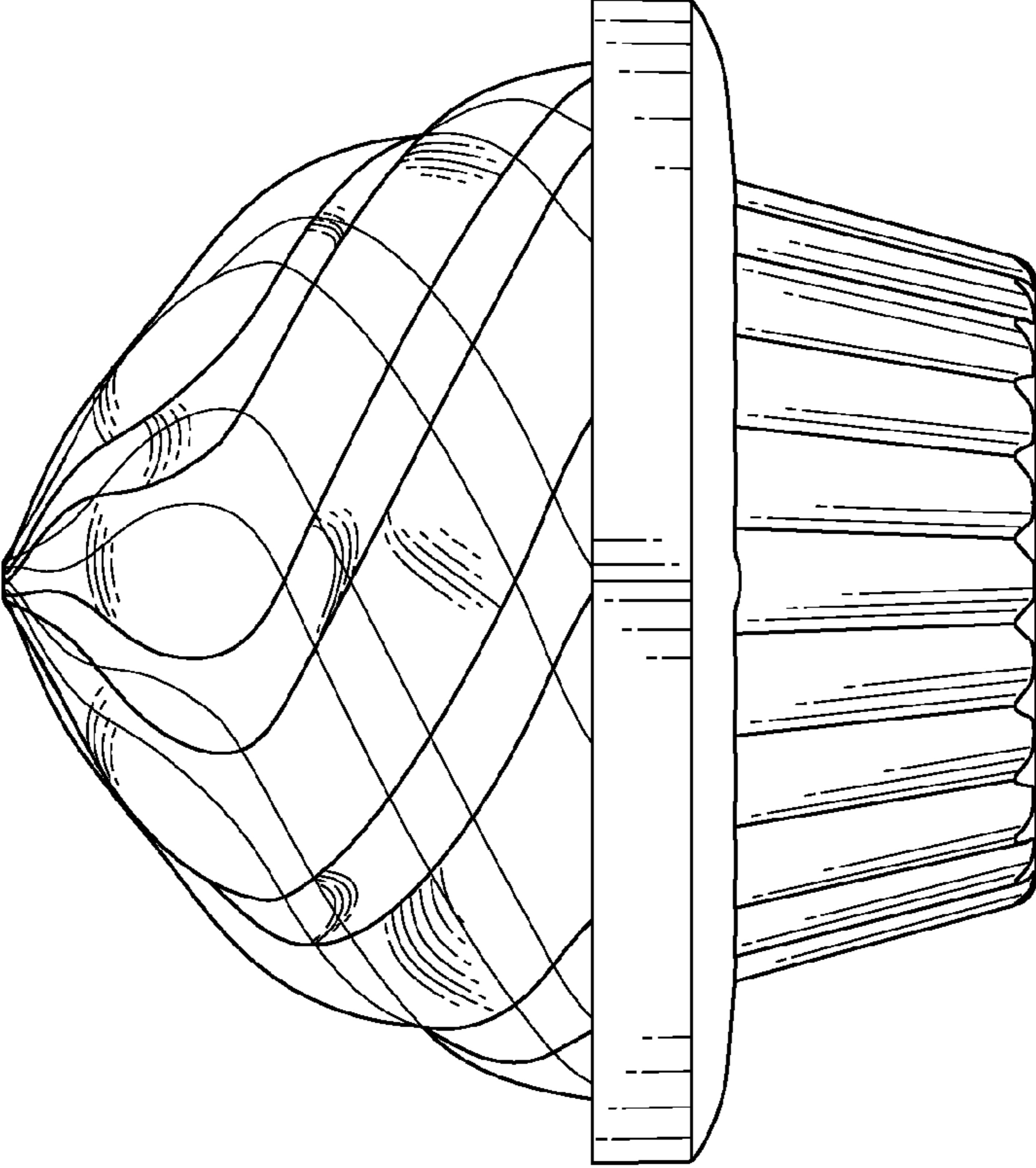


FIG. 7