



US00D629640S

(12) **United States Design Patent**
Tsai

(10) **Patent No.:** **US D629,640 S**

(45) **Date of Patent:** **** Dec. 28, 2010**

(54) **FRENCH FRIES MAKER**

(75) Inventor: **Kunyu Tsai**, Taipei (TW)

(73) Assignee: **Tsann Kuen (Zhangzhou) Enterprise Co., Ltd.**, Zhangzhou (CN)

(**) Term: **14 Years**

(21) Appl. No.: **29/363,023**

(22) Filed: **Jun. 3, 2010**

(30) **Foreign Application Priority Data**

Dec. 18, 2009 (CN) 2009 3 0329574

(51) **LOC (9) Cl.** **07-02**

(52) **U.S. Cl.** **D7/354**

(58) **Field of Classification Search** D7/309,
D7/323, 328-340, 347-348, 350.1-350.4,
D7/354-363; 99/324-325, 331-332, 337-339,
99/369, 403-418; 219/438-442, 620-624,
219/725, 730-735; 426/438, 441

See application file for complete search history.

(56) **References Cited**

U.S. PATENT DOCUMENTS

D131,508 S * 3/1942 Eddy D7/338

D282,618 S * 2/1986 McBrien D7/323
D295,489 S * 5/1988 Ayukawa D7/338
D343,981 S * 2/1994 Ferrara, Jr. D7/309
D451,331 S * 12/2001 Su D7/338

* cited by examiner

Primary Examiner—Ricky Pham

(74) *Attorney, Agent, or Firm*—Rabin & Berdo, P.C.

(57) **CLAIM**

The ornamental design for a French fries maker, as shown and described.

DESCRIPTION

FIG. 1 is a front view of a French fries maker showing my new design;

FIG. 2 is a rear view thereof;

FIG. 3 is a right side view thereof;

FIG. 4 is a left side view thereof;

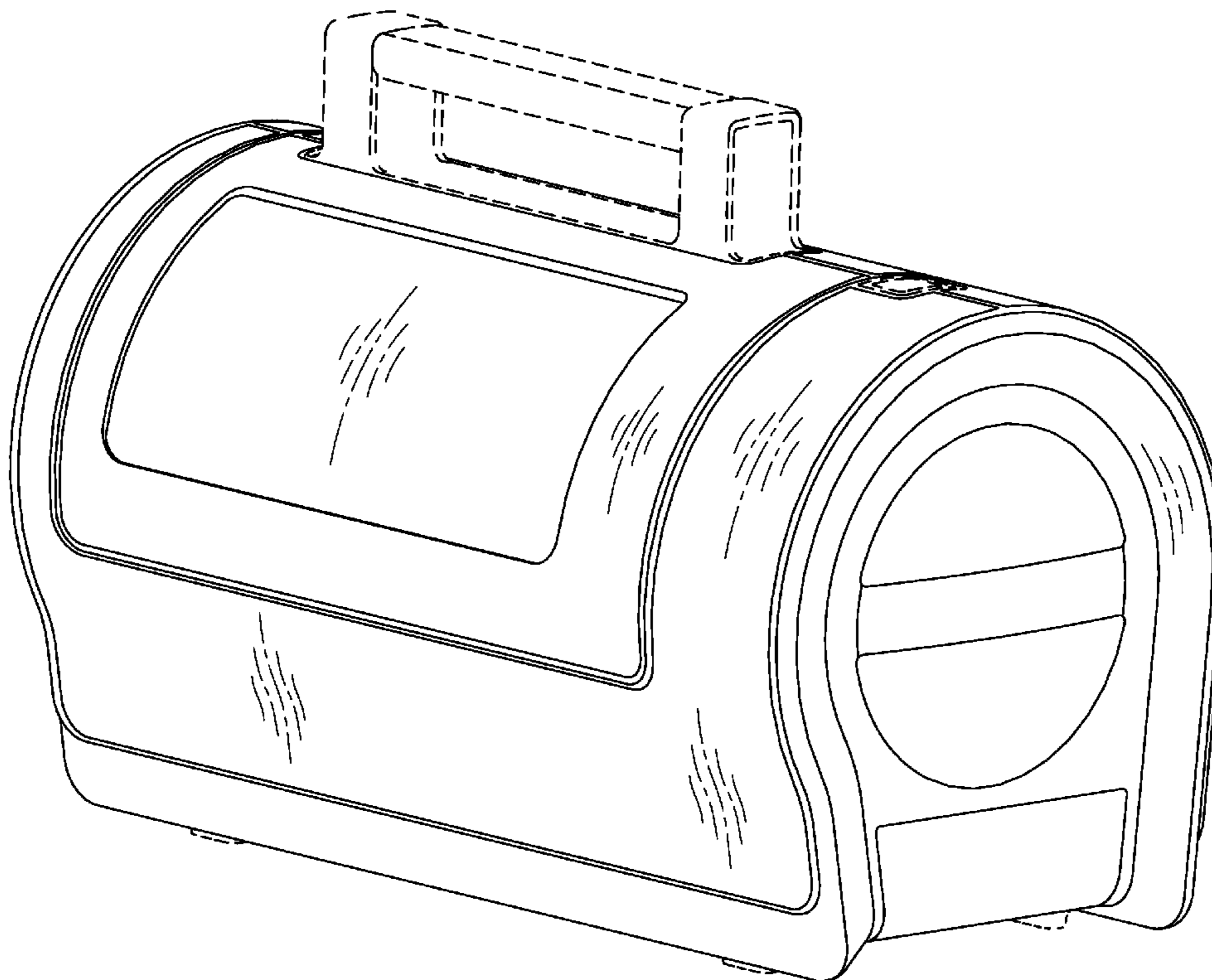
FIG. 5 is a top plan view thereof;

FIG. 6 is a bottom plan view thereof; and,

FIG. 7 is a perspective view thereof.

The broken line showing in Figures is for illustrative purposes only and forms no part of the claimed design.

1 Claim, 7 Drawing Sheets



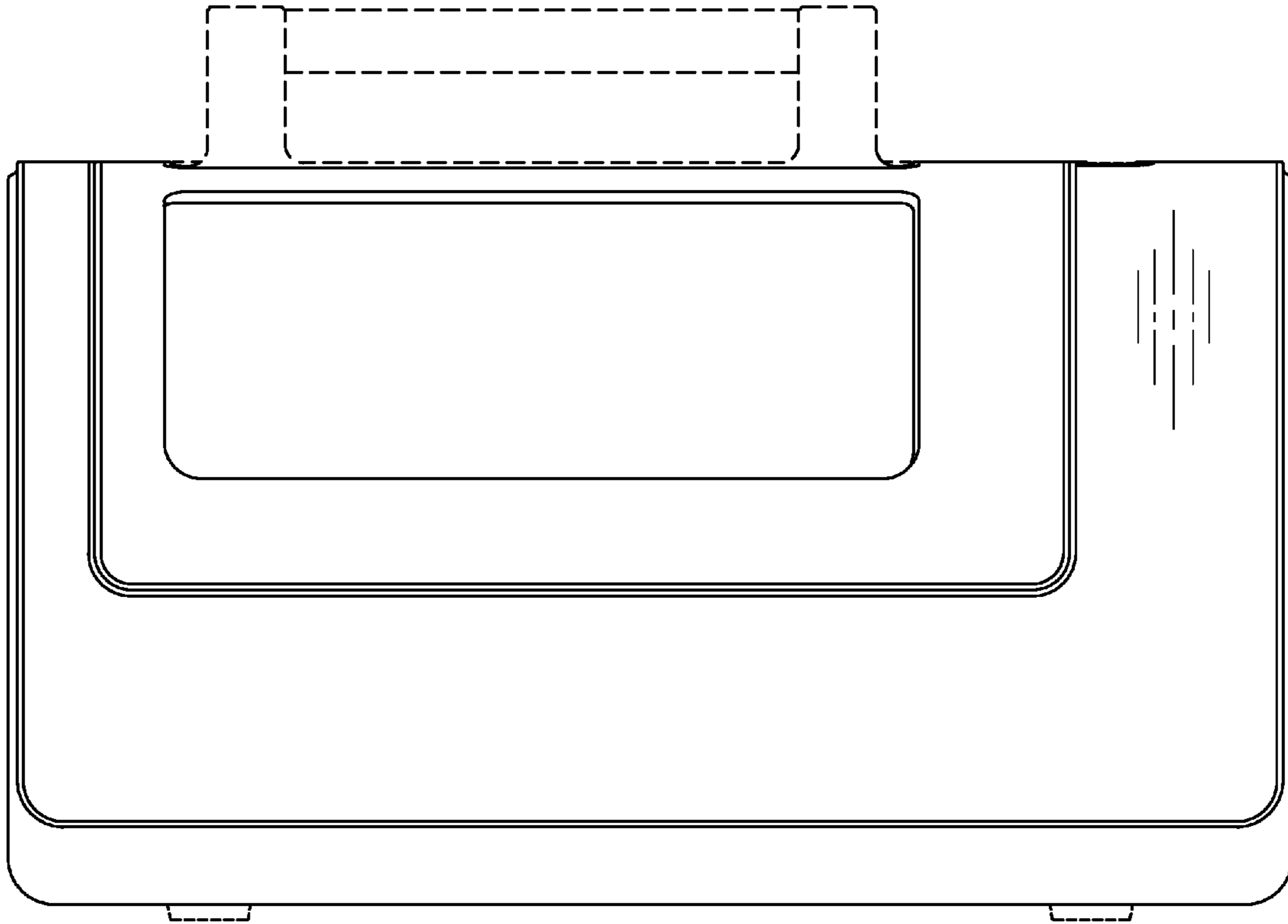


FIG. 1

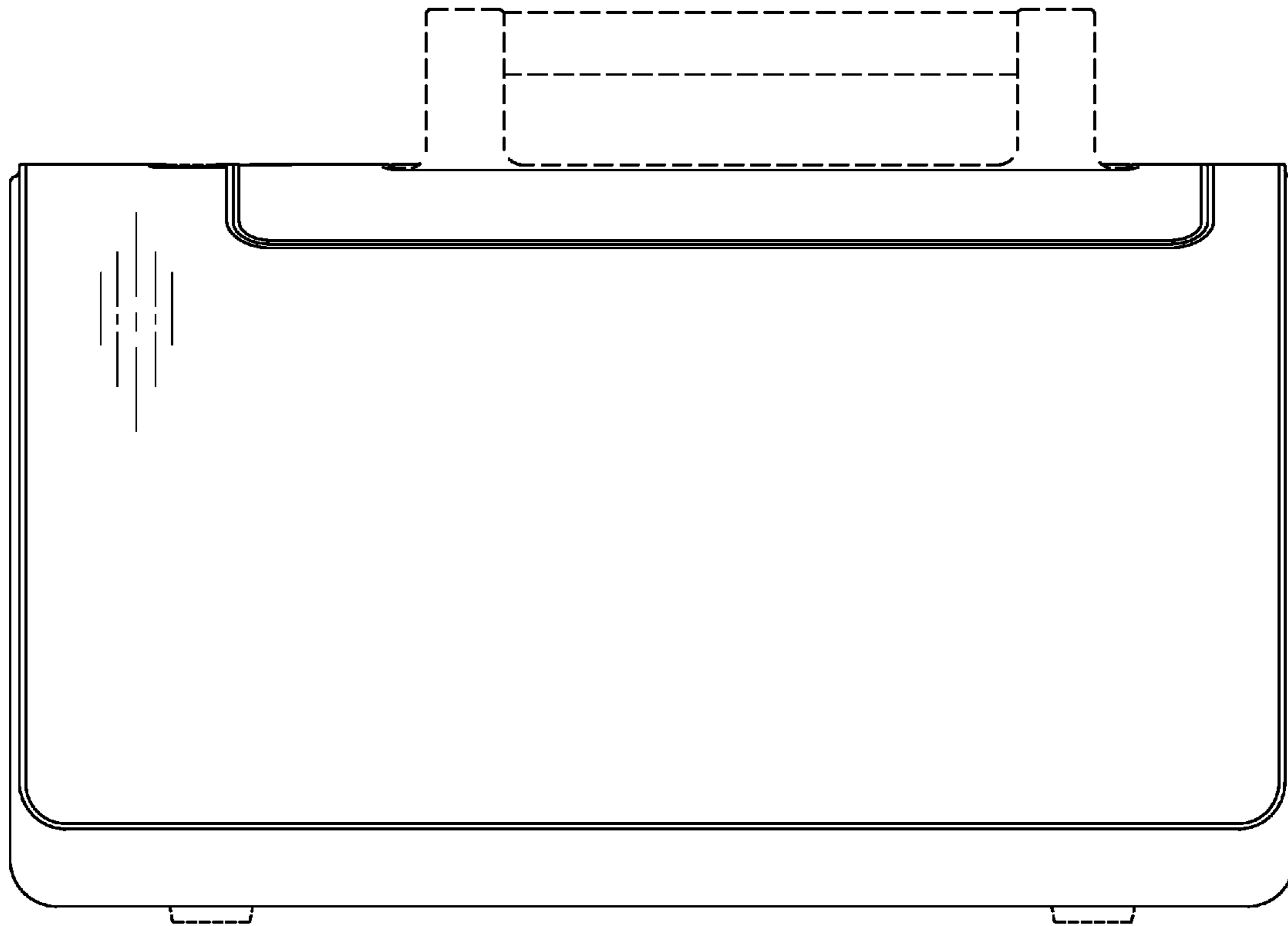


FIG. 2

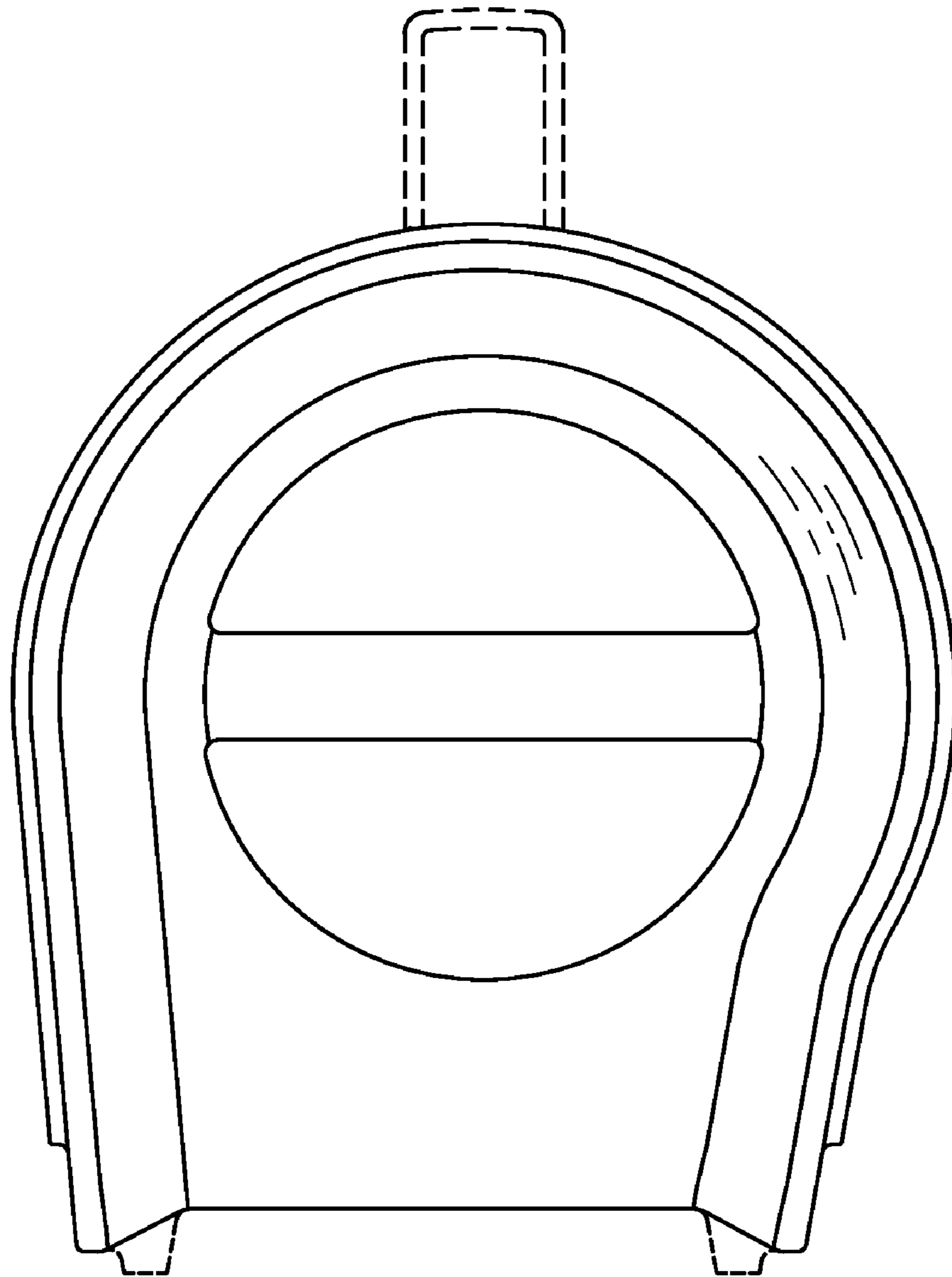


FIG. 3

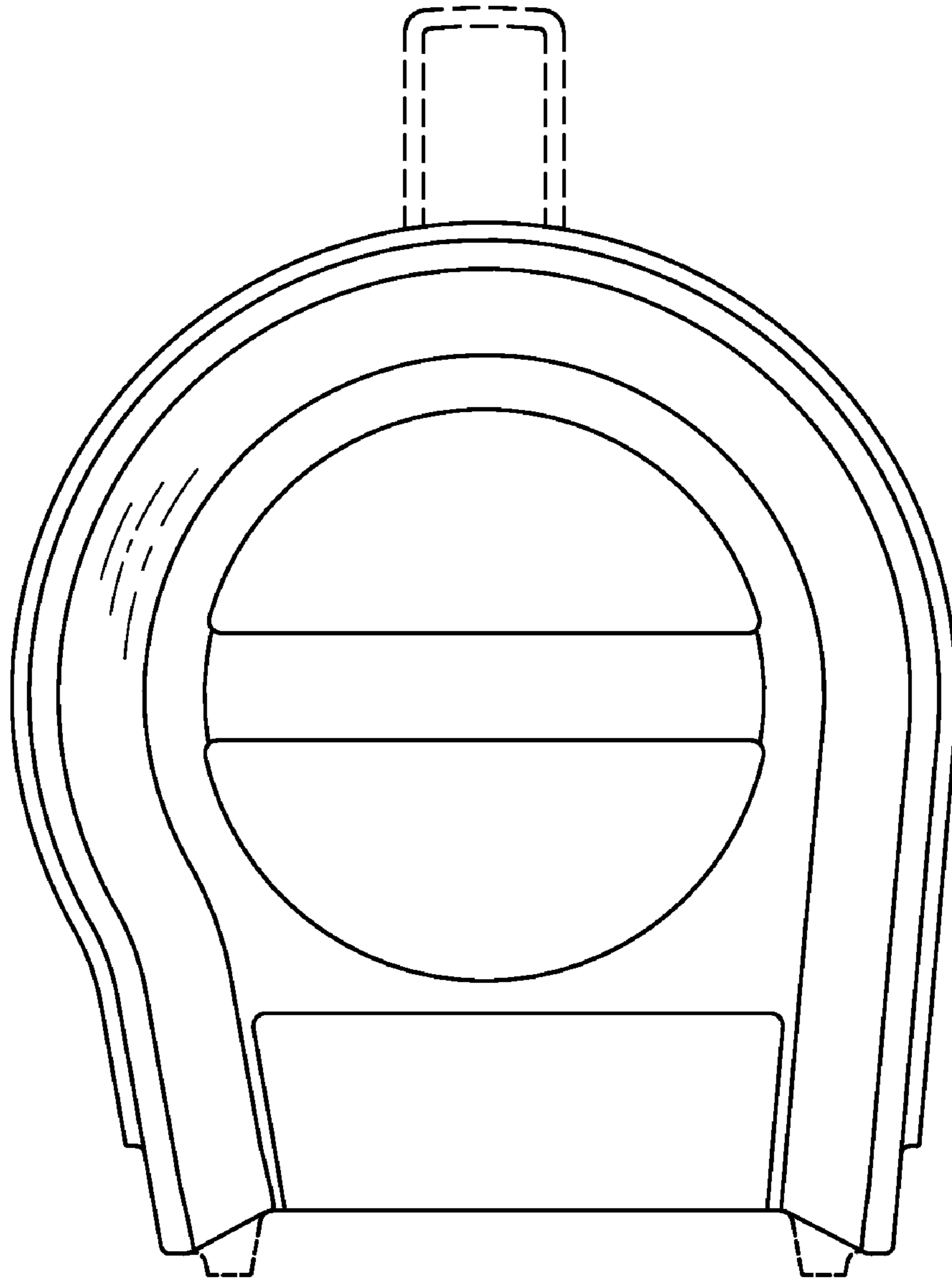


FIG. 4

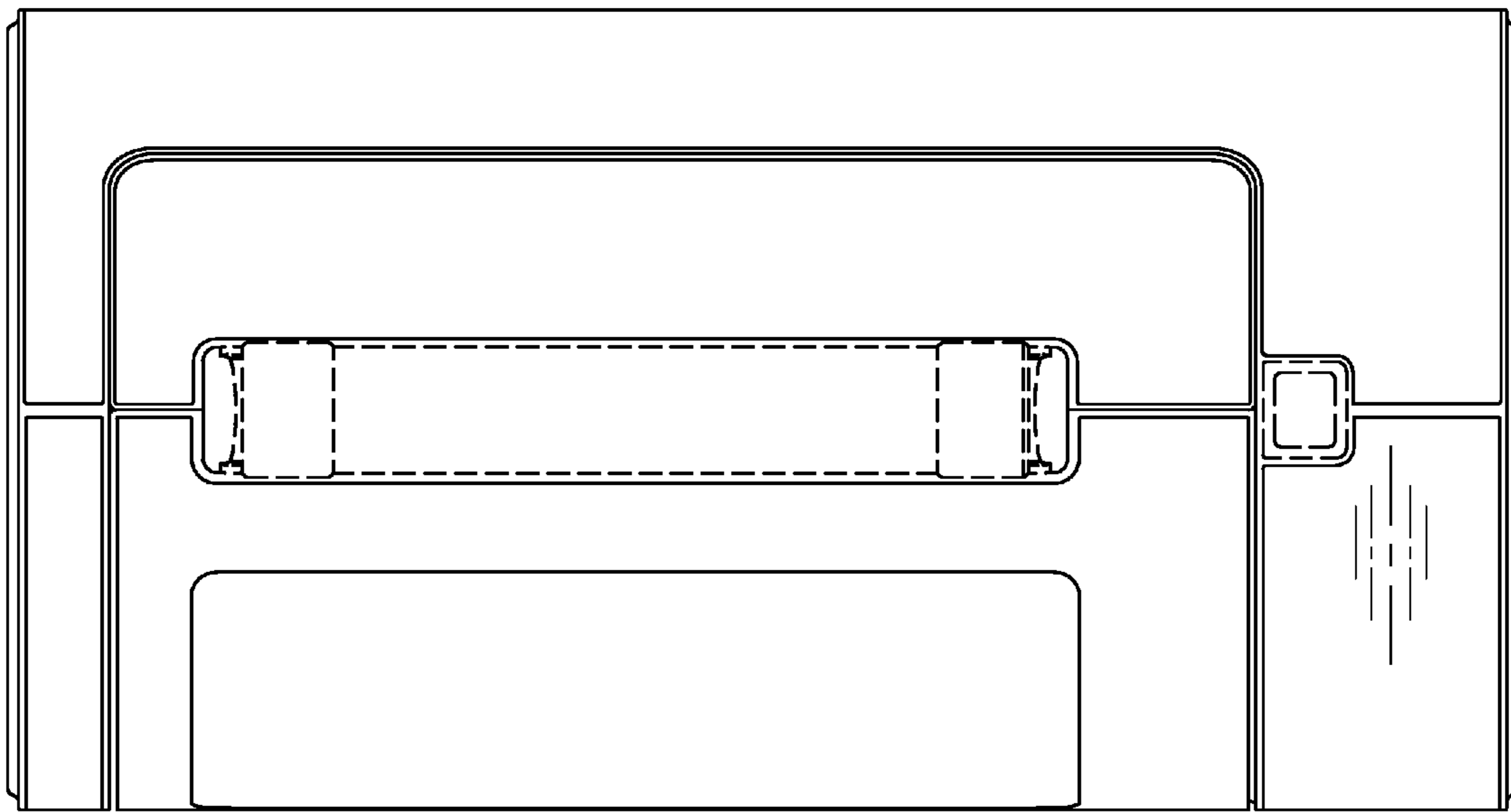


FIG. 5

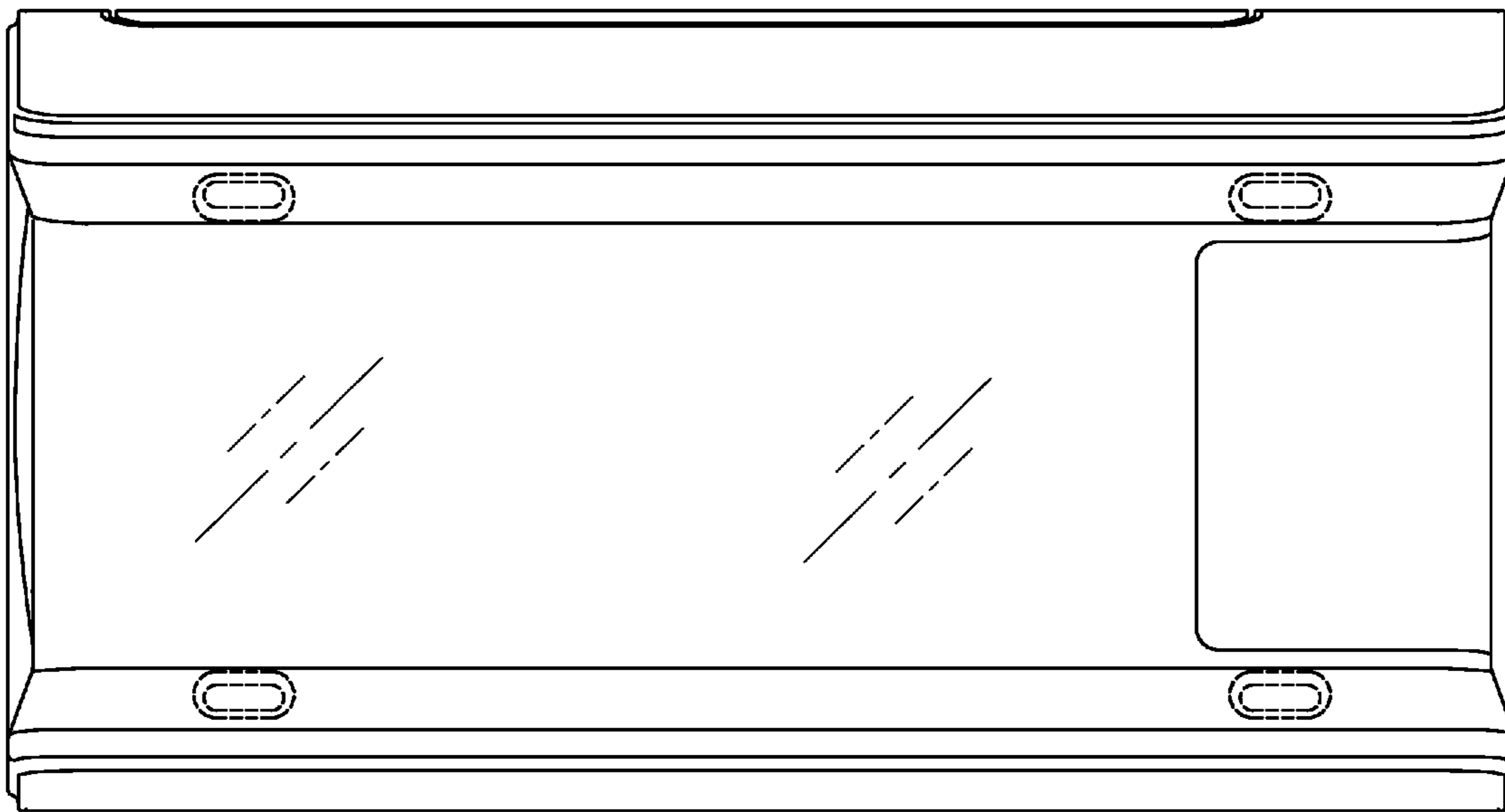


FIG. 6

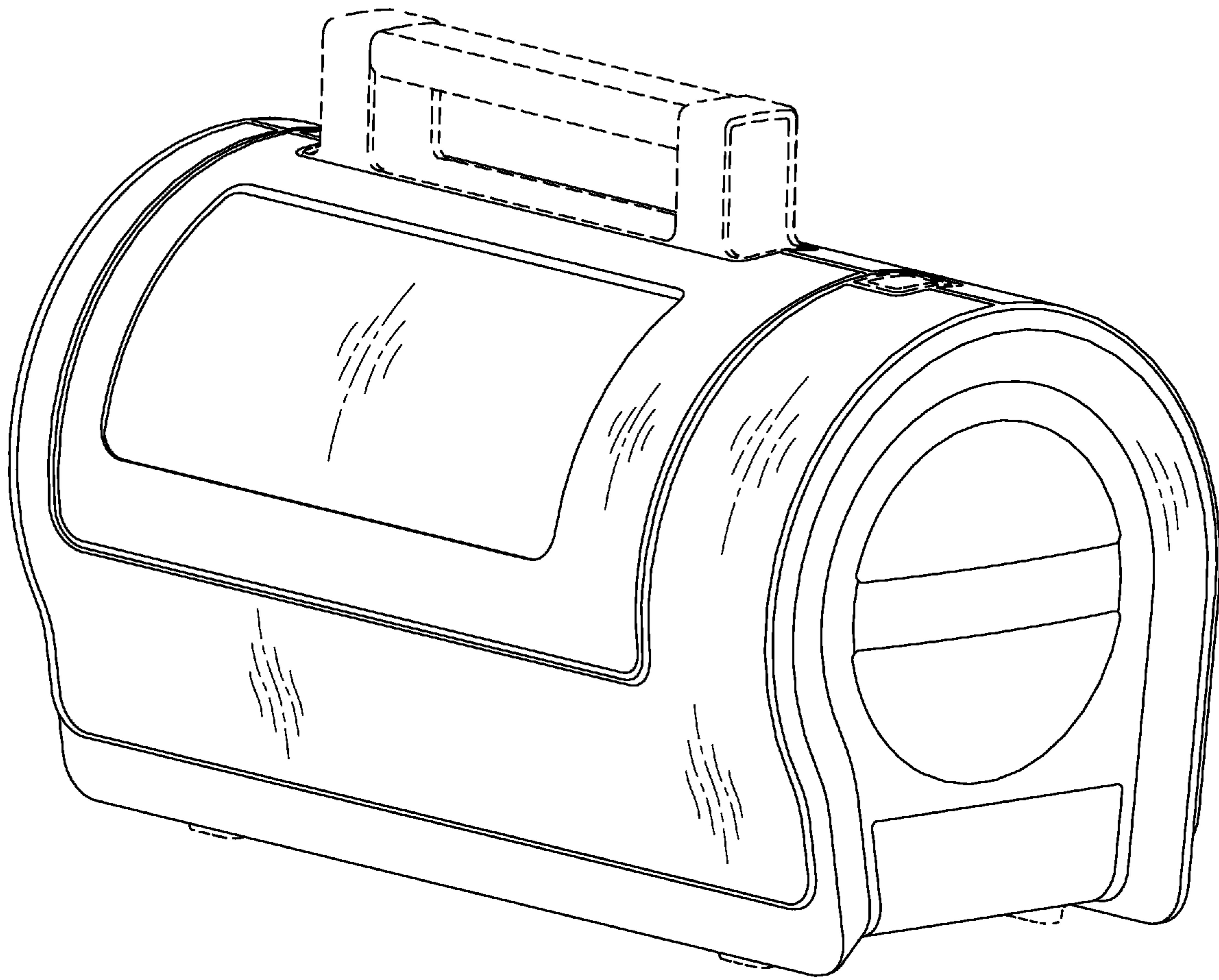


FIG. 7