



US00D629639S

(12) **United States Design Patent**
Fernandez et al.

(10) **Patent No.:** **US D629,639 S**
(45) **Date of Patent:** **** Dec. 28, 2010**

(54) **ELECTRIC OVEN WITH ADJUSTABLE HEATING ELEMENT**

(76) Inventors: **Juan Fernandez**, P.O. Box 312, Towaco, NJ (US) 07082; **Juan David Londoño Restrepo**, Av. Campones 34, Nave 8, Gijon (ES) 33211

(**) Term: **14 Years**

(21) Appl. No.: **29/348,248**

(22) Filed: **Dec. 14, 2009**

(51) **LOC (9) Cl.** **07-02**

(52) **U.S. Cl.** **D7/350.1**

(58) **Field of Classification Search** D7/350.1, D7/350.3, 350.4, 351, 402, 405-406; 219/678, 219/756-758, 740; 126/19 M, 275 E, 273 A
See application file for complete search history.

(56) **References Cited**

U.S. PATENT DOCUMENTS

D380,643	S	*	7/1997	Piret	D7/350.4
D412,637	S	*	8/1999	Piret	D7/350.4
D420,245	S	*	2/2000	De'Longhi	D7/350.4
6,250,214	B1		6/2001	Backus		
D466,757	S	*	12/2002	Hsu	D7/350.1
D481,582	S	*	11/2003	Seum et al.	D7/350.1
D521,799	S	*	5/2006	Ledingham et al.	D7/350.1
7,105,778	B1		9/2006	DeLong et al.		
D533,012	S	*	12/2006	Massaloux et al.	D7/350.1
D540,613	S	*	4/2007	Jeon	D7/350.1

7,317,174	B2		1/2008	Lau		
D567,013	S	*	4/2008	Choya	D7/350.1
D568,675	S	*	5/2008	Kawata	D7/350.1
D586,180	S	*	2/2009	Pino et al.	D7/405
D586,619	S	*	2/2009	Pino et al.	D7/405
D587,959	S	*	3/2009	Hensel	D7/350.1
D602,306	S	*	10/2009	Lavy	D7/350.1
D614,906	S	*	5/2010	Fiorotto	D7/350.1
2007/0241094	A1		10/2007	Lau		
2009/0107343	A1		4/2009	De' Longhi		

* cited by examiner

Primary Examiner—Ruth McInroy
(74) *Attorney, Agent, or Firm*—Gearhart Law, LLC.

(57) **CLAIM**

We claim the ornamental design for an electric oven with adjustable heating element, as shown and described.

DESCRIPTION

FIG. 1 is a front perspective view of an electric oven with adjustable heating element showing our new design.

FIG. 2 is a front view thereof;

FIG. 3 is a rear view thereof;

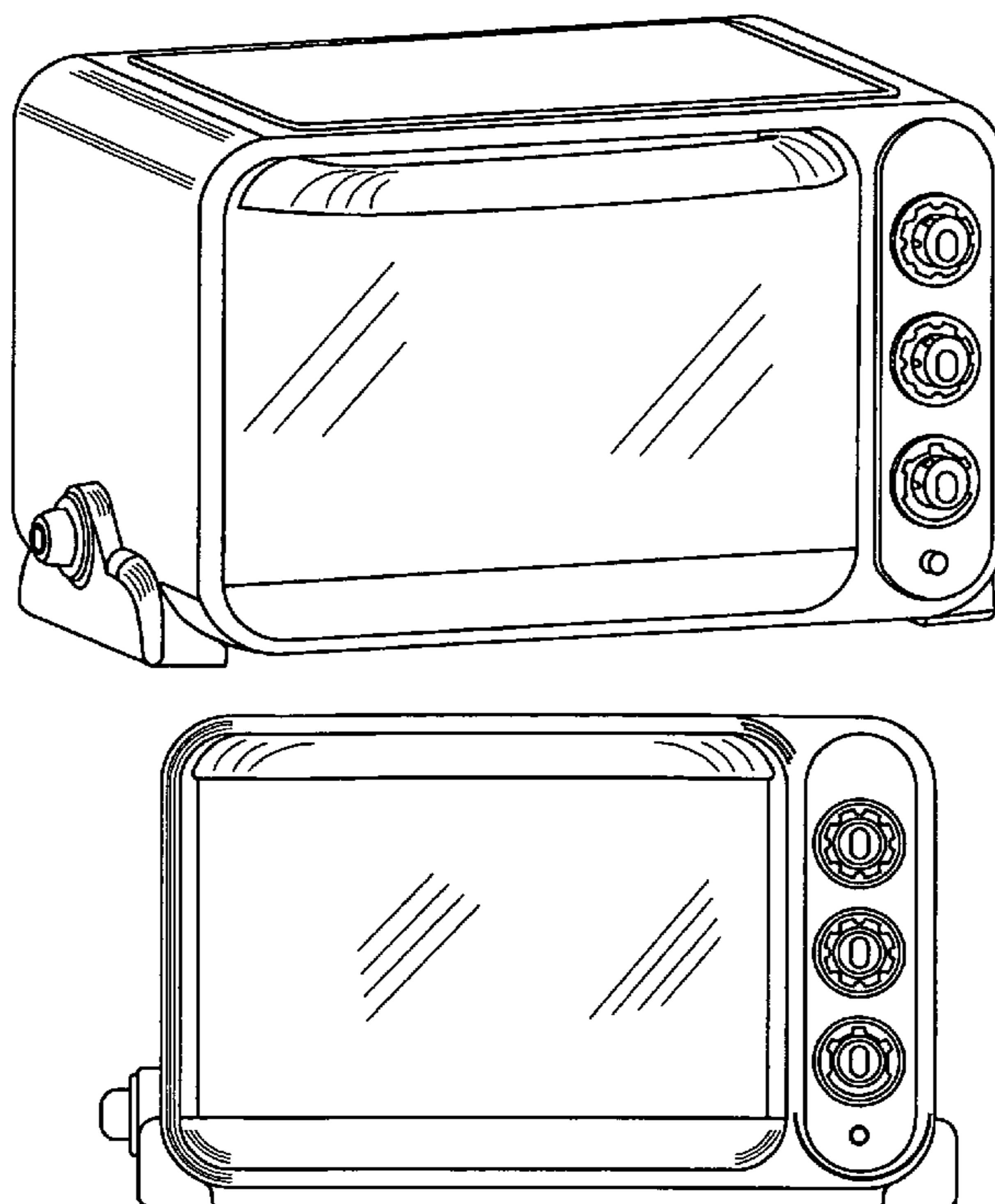
FIG. 4 is a right side view thereof;

FIG. 5 is a left side view thereof;

FIG. 6 is a top plan view thereof; and,

FIG. 7 is a bottom plan view thereof.

1 Claim, 4 Drawing Sheets



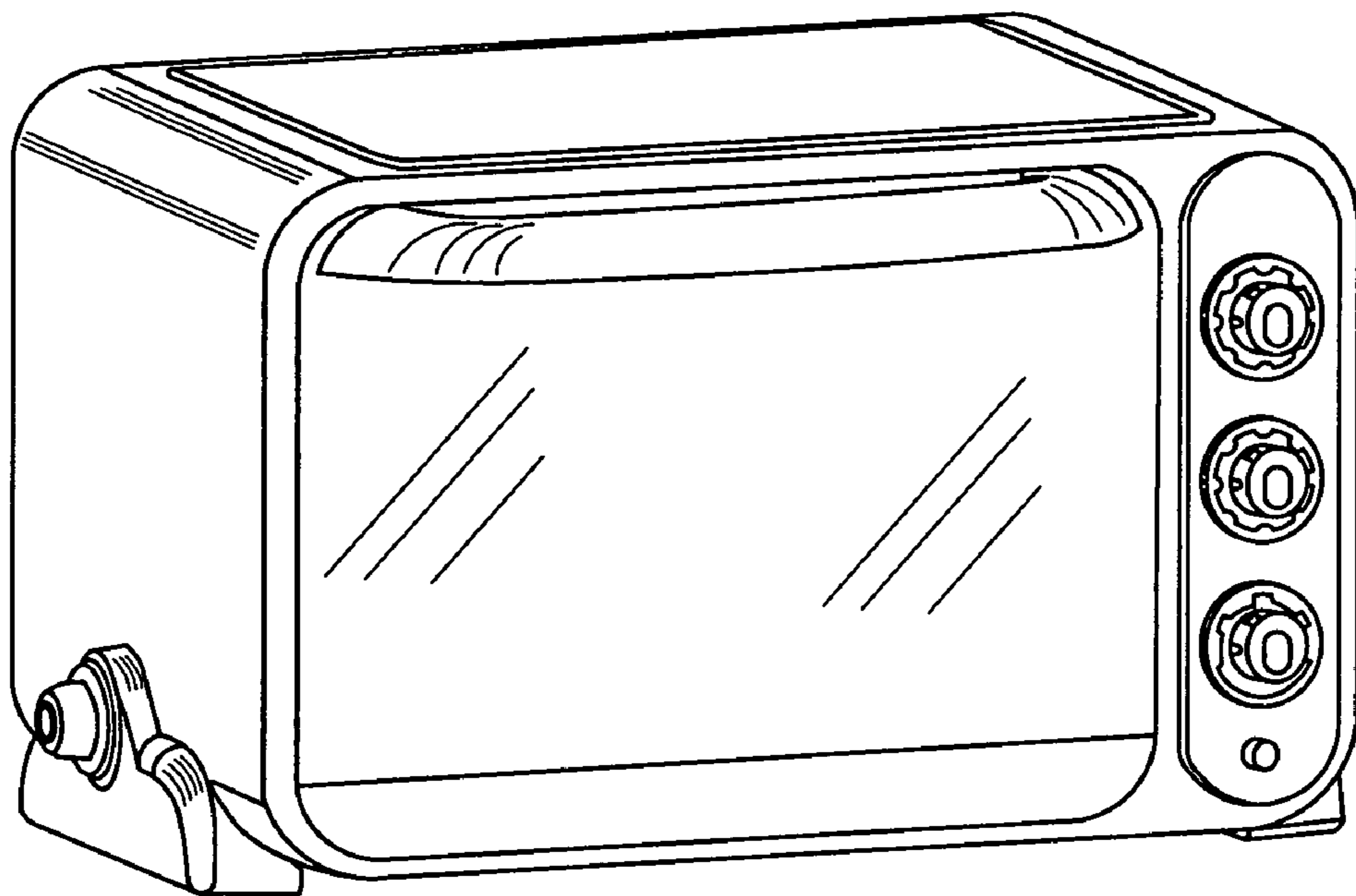


FIG. 1

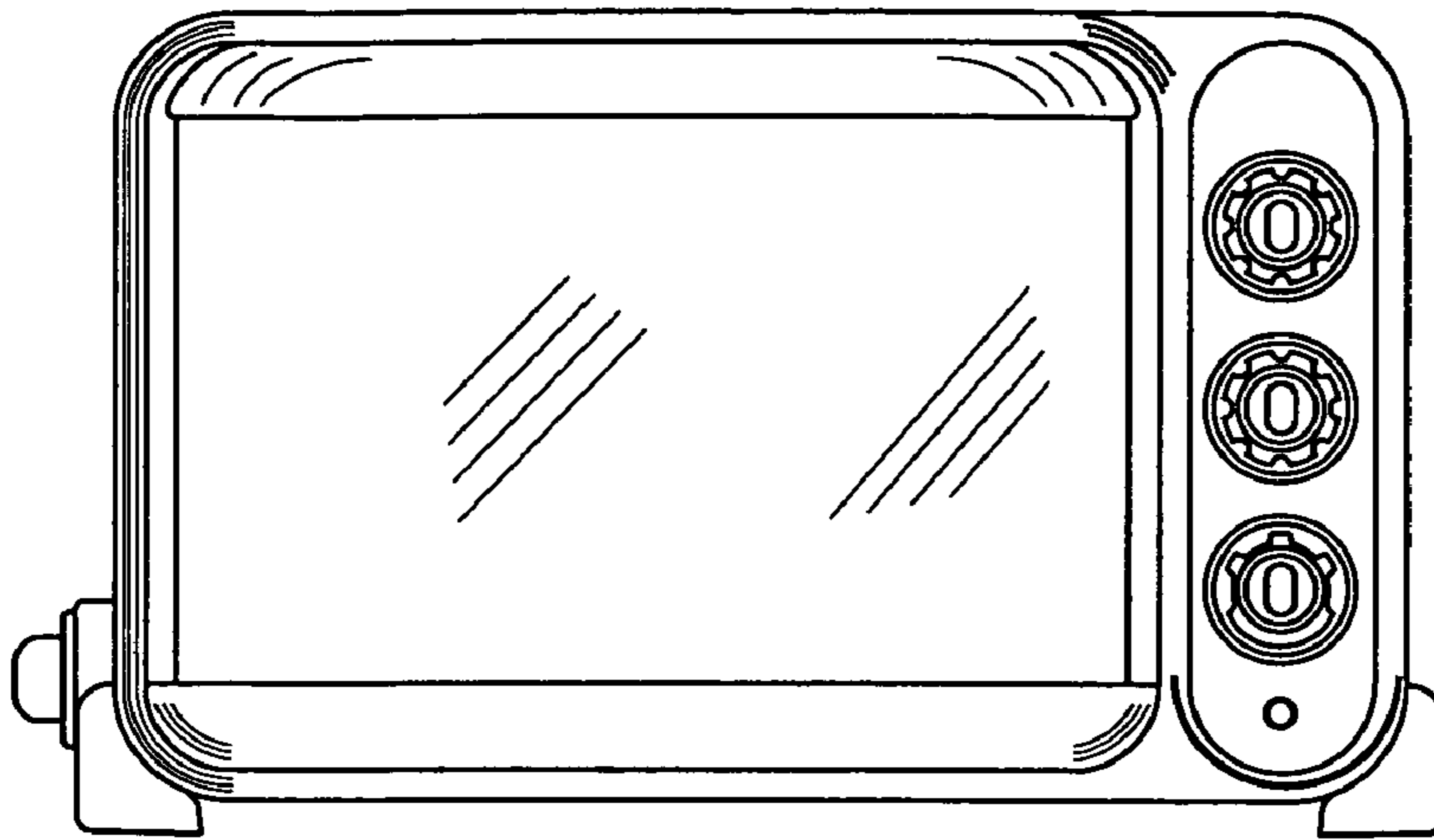


FIG. 2

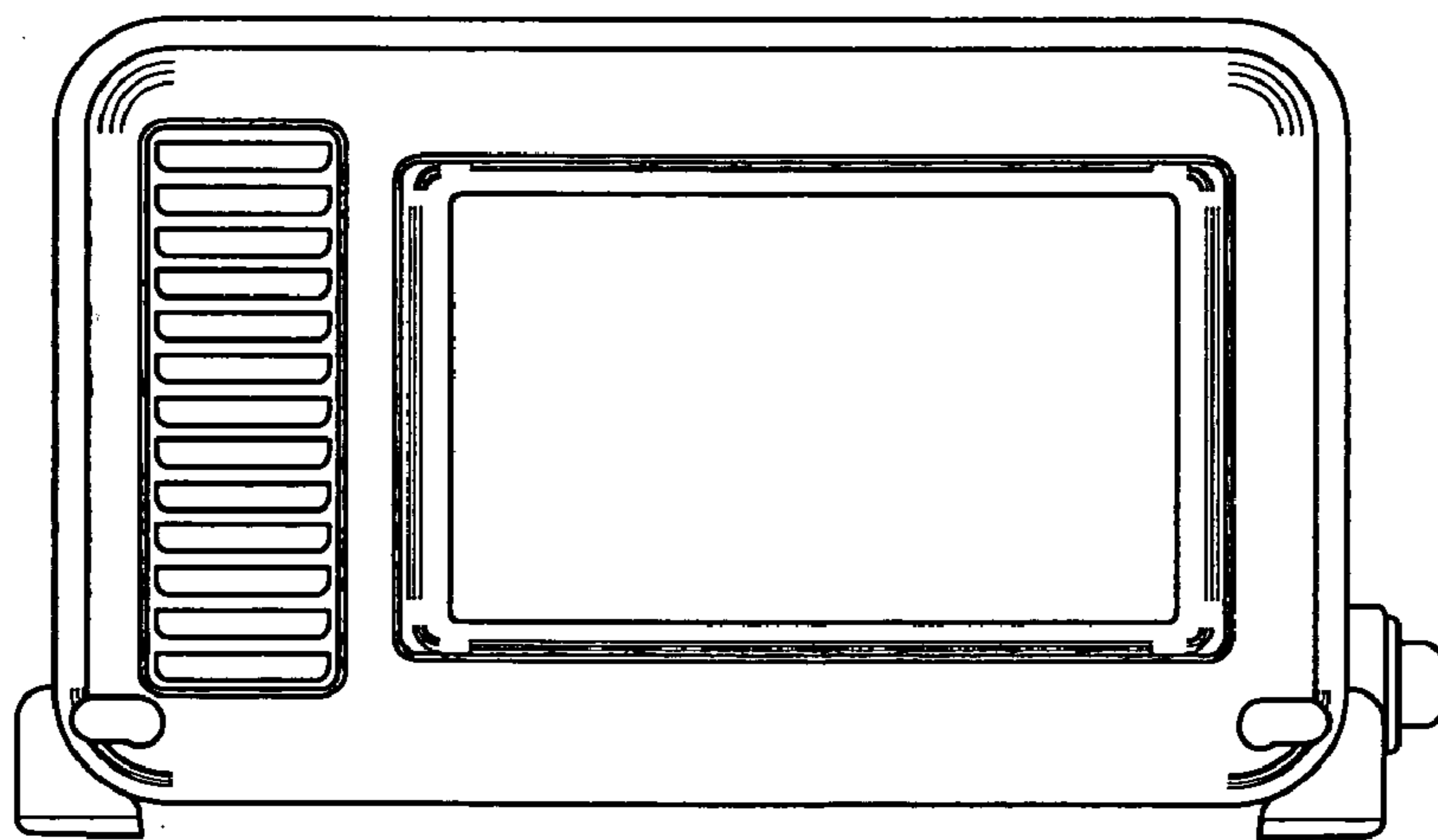


FIG. 3

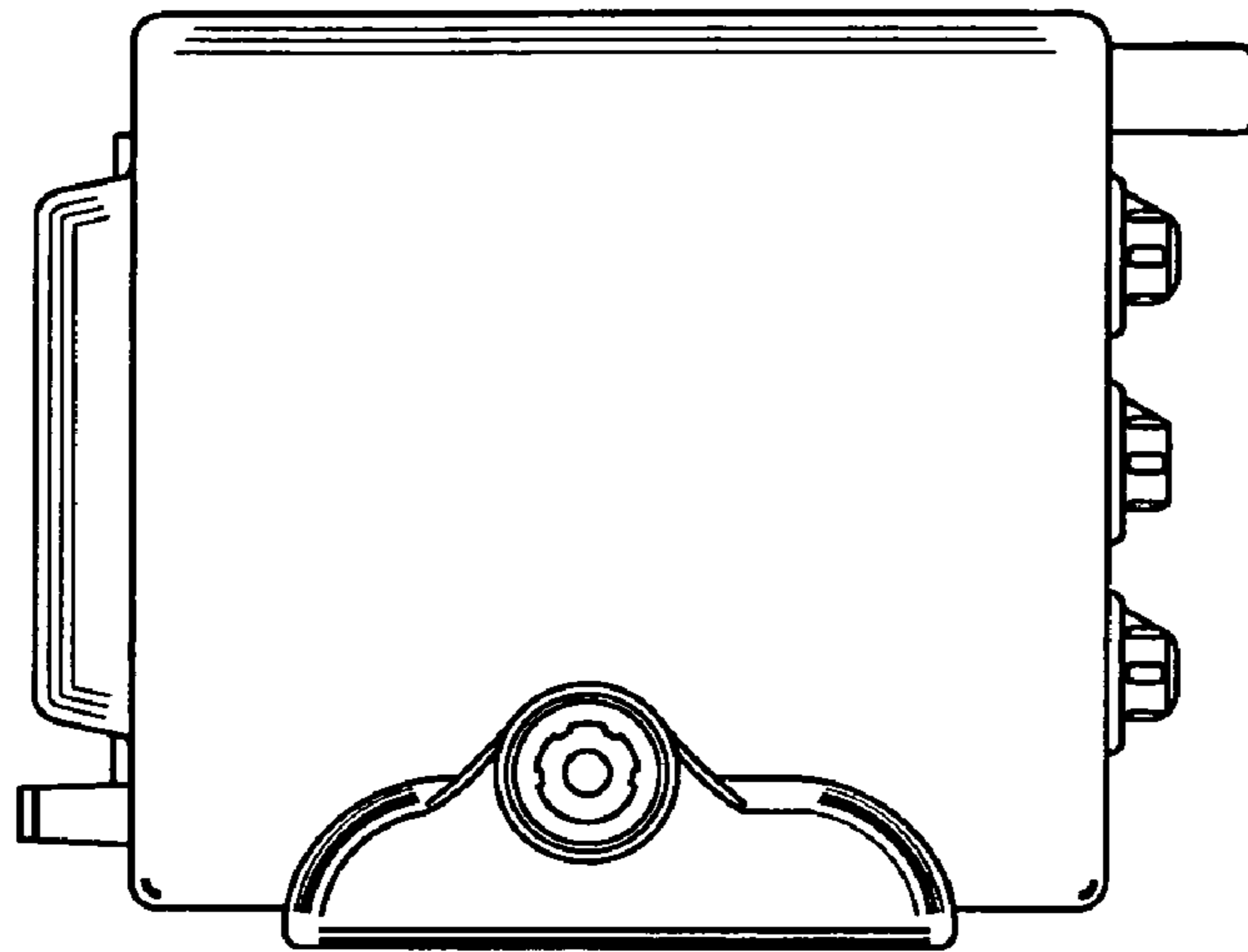


FIG. 4

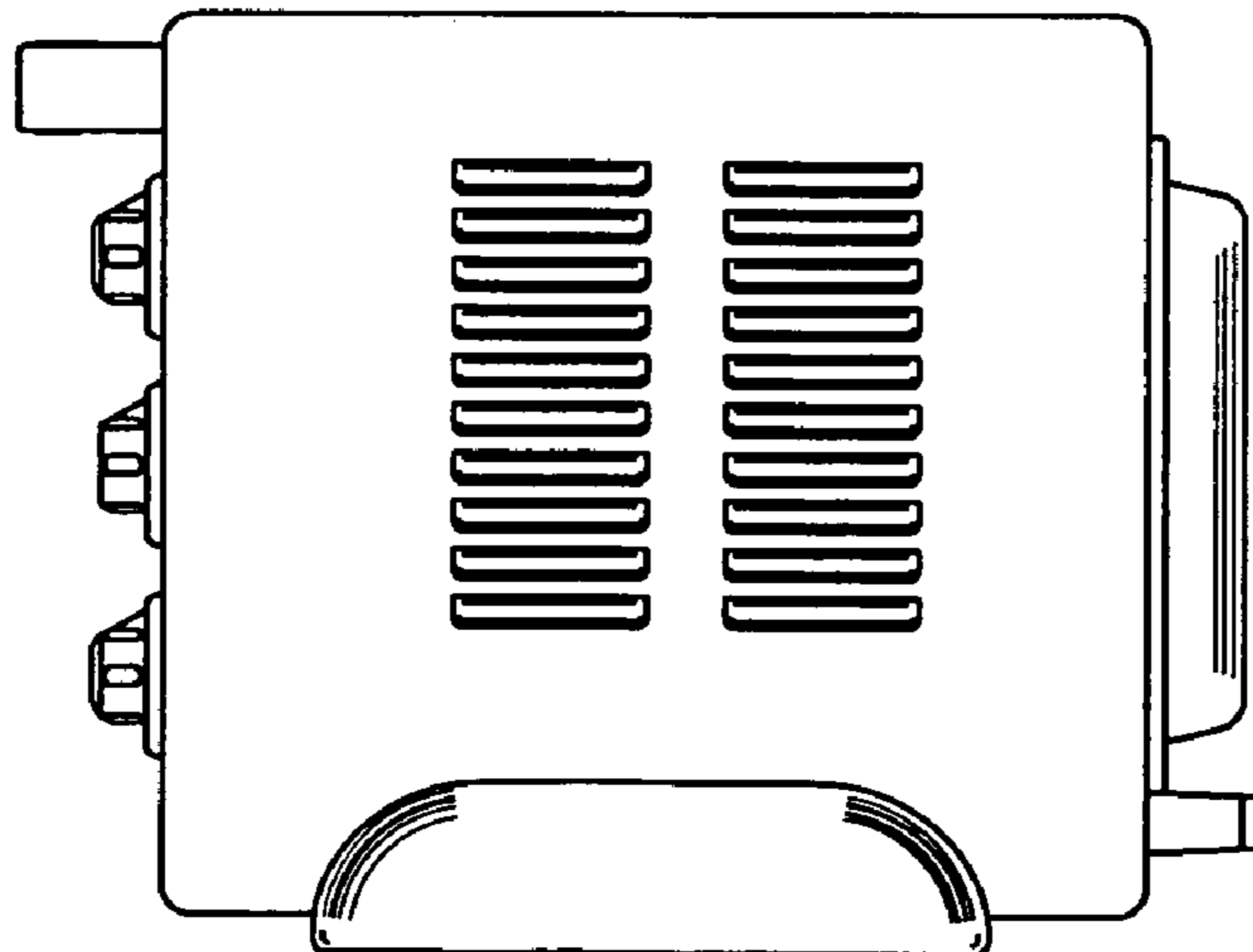


FIG. 5

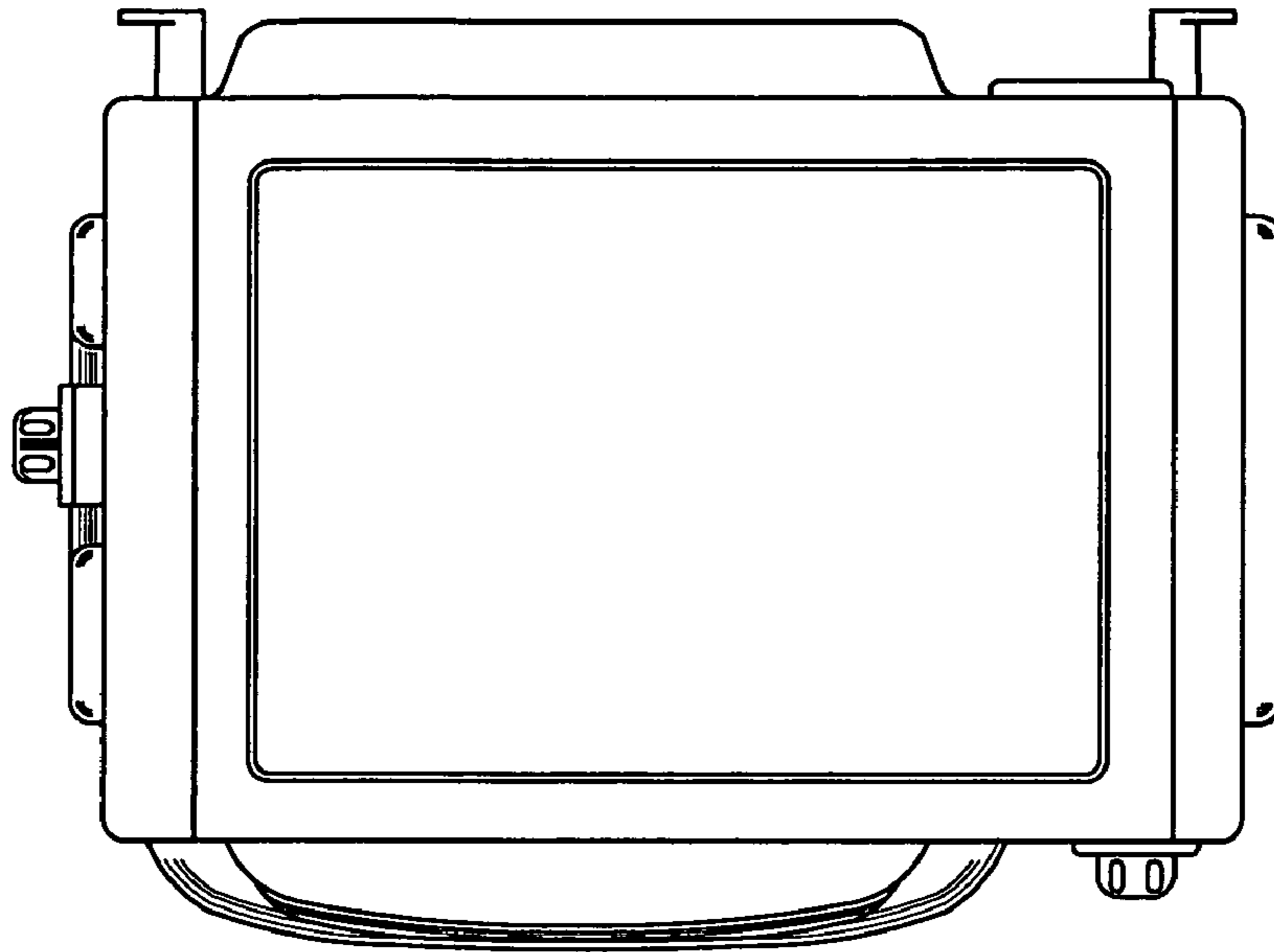


FIG. 6

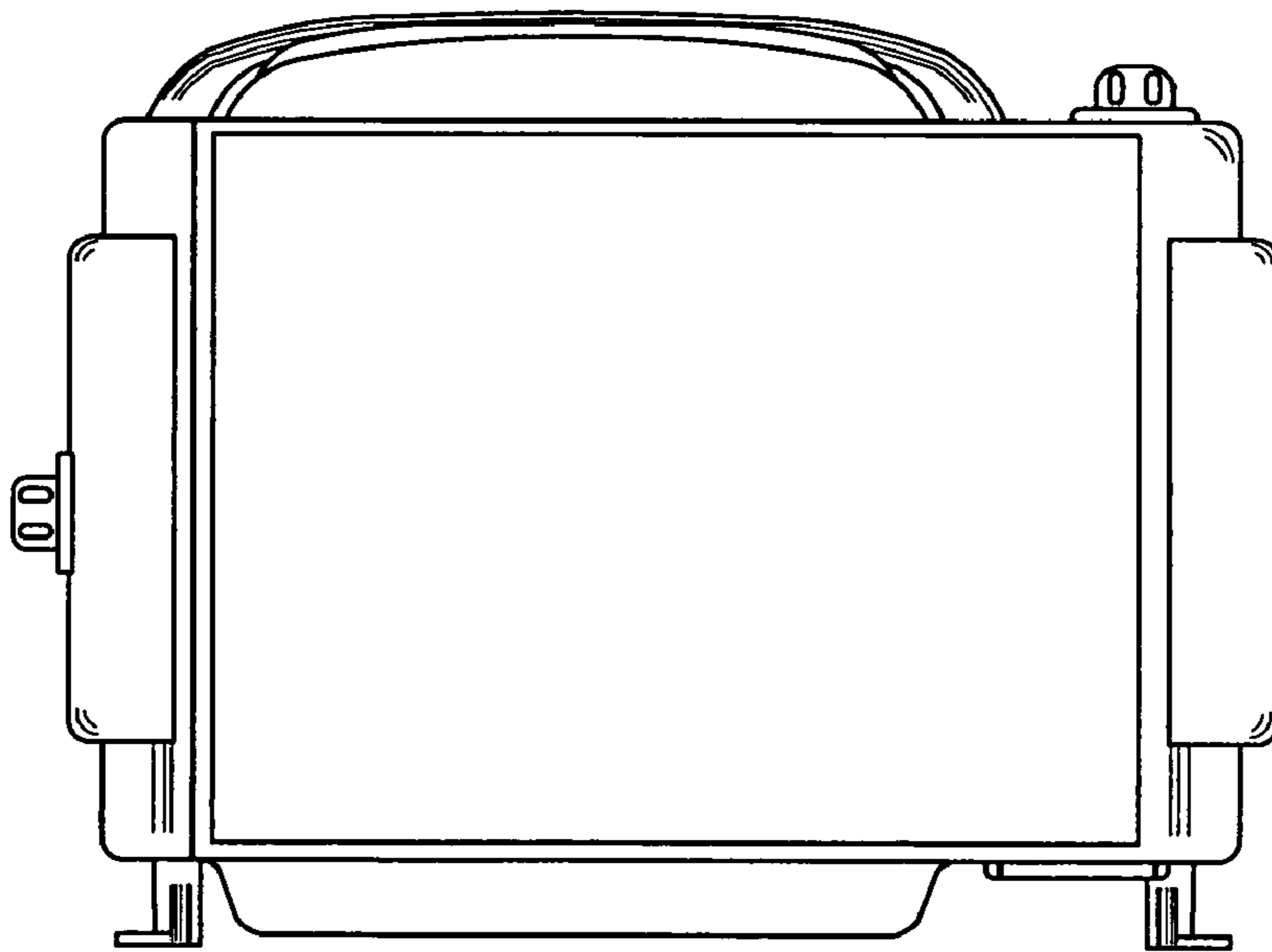


FIG. 7