



US00D629638S

(12) **United States Design Patent**  
**Funnell et al.**

(10) **Patent No.:** **US D629,638 S**

(45) **Date of Patent:** **\*\* Dec. 28, 2010**

(54) **GAS COOKTOP AND/OR GRATE THEREOF**

(75) Inventors: **Richard Funnell**, New Bern, NC (US);  
**Graham Sadtler**, New Bern, NC (US)

(73) Assignee: **BSH Home Appliances Corporation**,  
Huntington Beach, CA (US)

(\*\*) Term: **14 Years**

(21) Appl. No.: **29/351,038**

(22) Filed: **Nov. 30, 2009**

(51) **LOC (9) Cl.** ..... **07-02**

(52) **U.S. Cl.** ..... **D7/346**

(58) **Field of Classification Search** ..... D7/346-348,  
D7/336-339, 402-408; 126/39 R, 39 BA,  
126/39 G, 40, 211, 214 R, 214 C  
See application file for complete search history.

(56) **References Cited**

**U.S. PATENT DOCUMENTS**

- D461,090 S \* 8/2002 Rummel et al. .... D7/346
- D468,161 S \* 1/2003 Goodwin ..... D7/408
- D489,933 S \* 5/2004 Rummel et al. .... D7/346
- D495,202 S \* 8/2004 Becker et al. .... D7/408

- D495,203 S \* 8/2004 Becker et al. .... D7/408
- D524,601 S \* 7/2006 Vetter ..... D7/408
- D550,031 S \* 9/2007 Pino et al. .... D7/408

\* cited by examiner

*Primary Examiner*—Catherine R Oliver

(74) *Attorney, Agent, or Firm*—James E. Howard; Andre Pallapies

(57) **CLAIM**

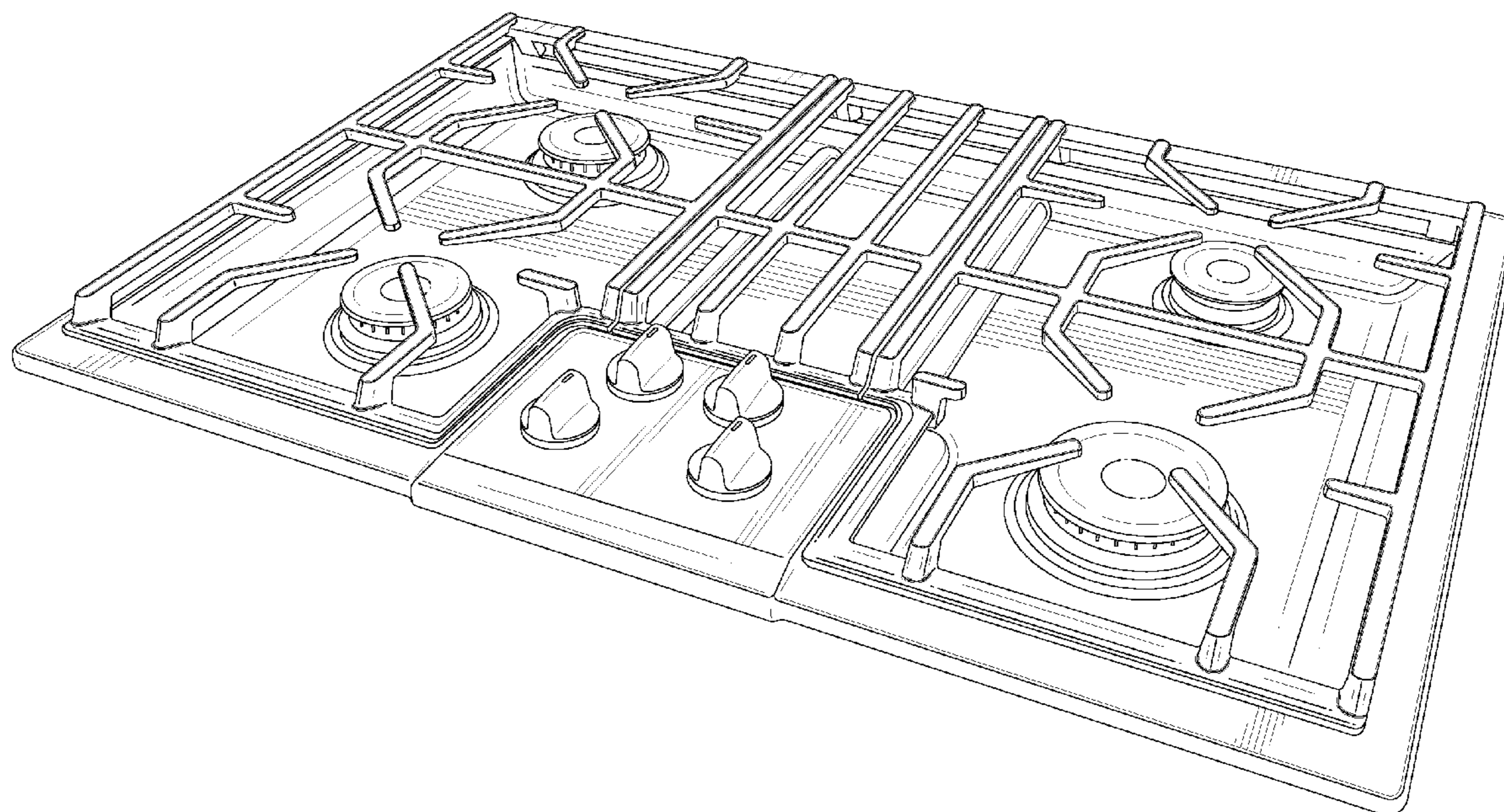
The ornamental design for a gas cooktop and/or grate thereof, as shown and described.

**DESCRIPTION**

FIG. 1 is a front perspective view of a gas cooktop from the top, right corner, according to an embodiment of our design; FIG. 2 is a front view thereof; FIG. 3 is a rear view thereof; FIG. 4 is a top view thereof; and, FIG. 5 is a right side view thereof, with the left side view thereof being a mirror image thereof.

The bottom view of each design is not shown and is not claimed.

**1 Claim, 3 Drawing Sheets**



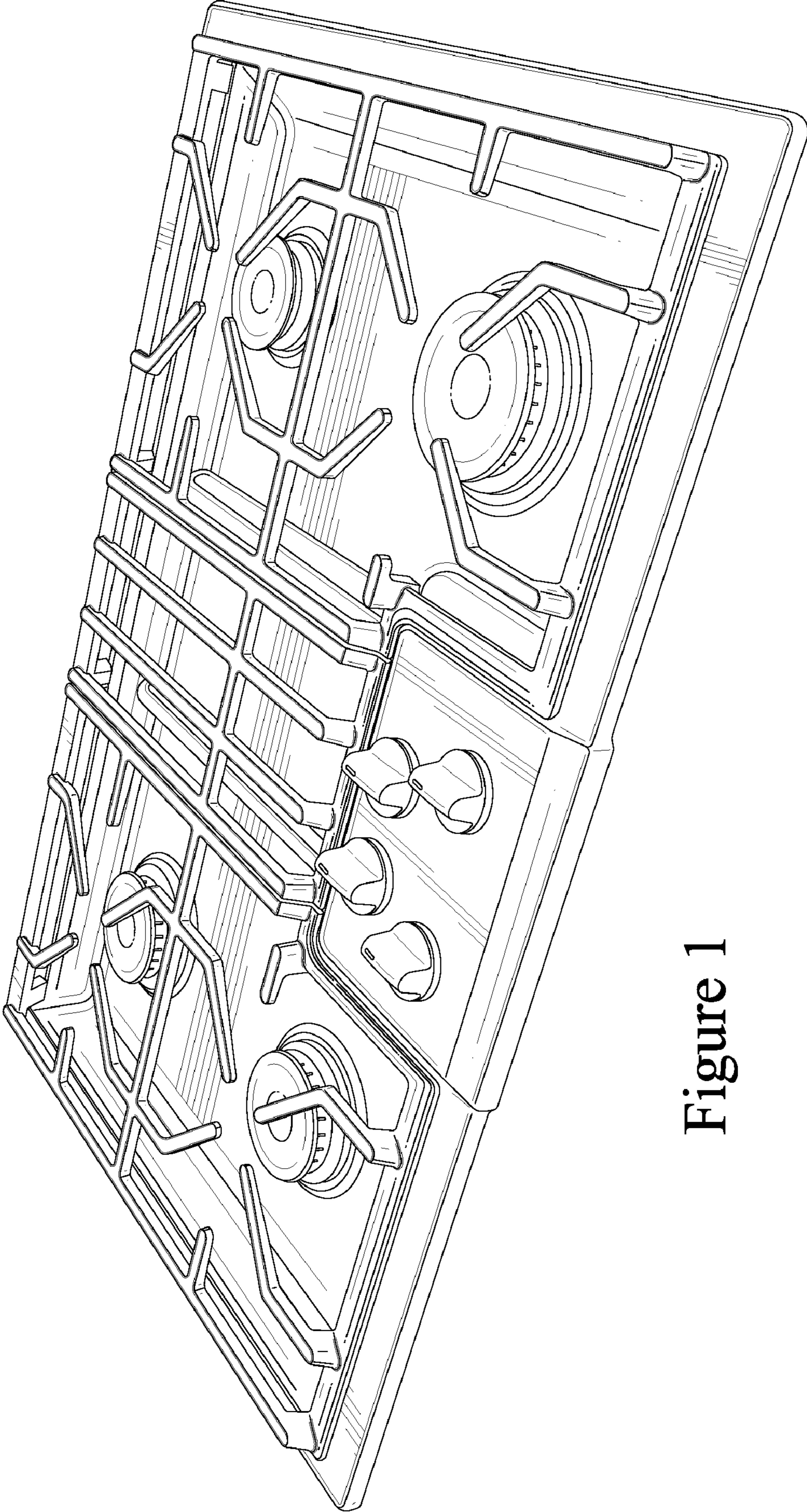


Figure 1

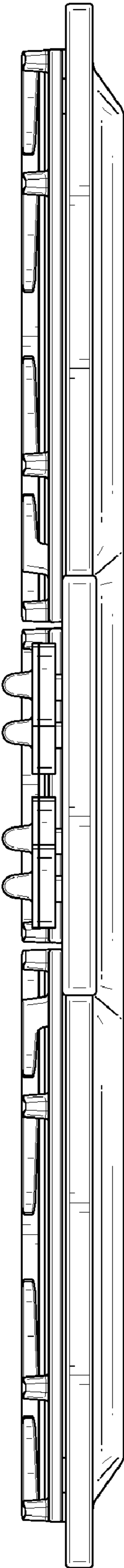


Figure 2

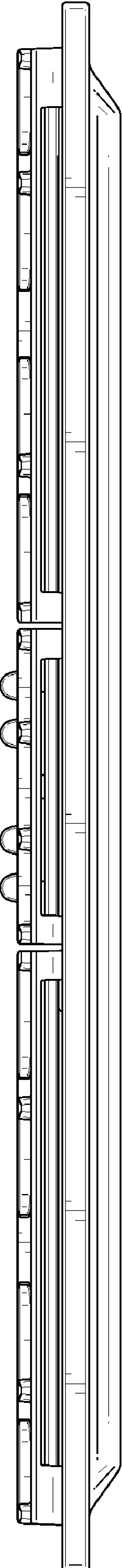


Figure 3

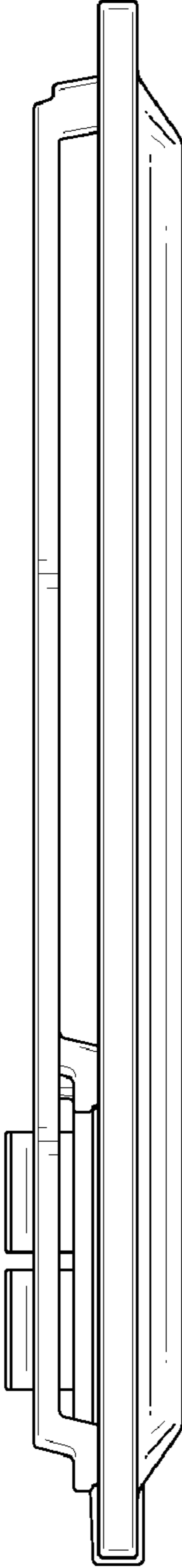


Figure 5

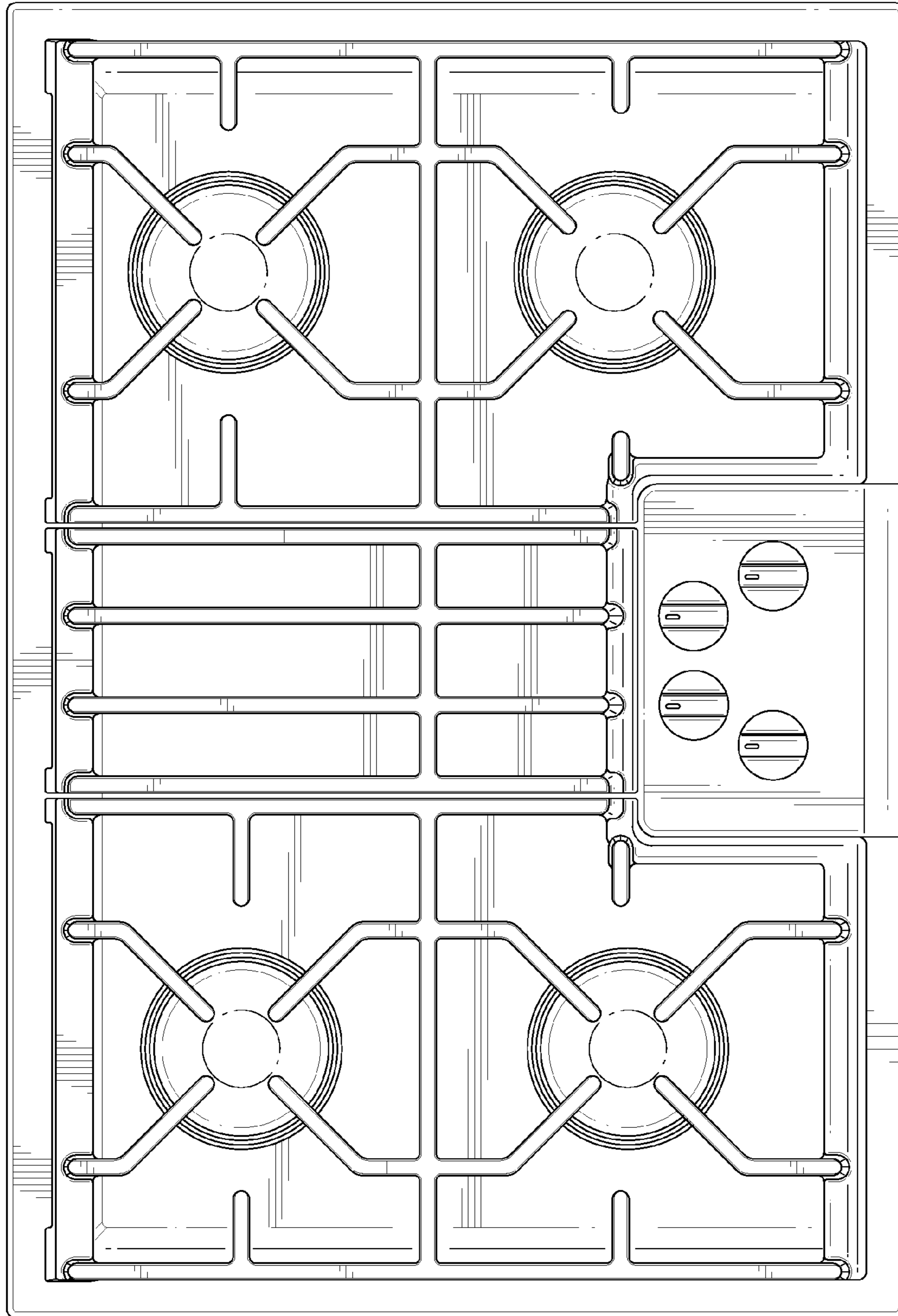


Figure 4