



US00D629637S

(12) **United States Design Patent**  
**Hunt et al.**

(10) **Patent No.:** **US D629,637 S**  
(45) **Date of Patent:** **\*\* Dec. 28, 2010**

(54) **MEDIA STORAGE ORGANIZER**

(75) Inventors: **Thomas A. Hunt**, Encinitas, CA (US);  
**Thomas E. Veloskey**, San Marcos, CA (US)

(73) Assignee: **Spectrum Concepts, Inc.**, Carlsbad, CA (US)

(\*\*) Term: **14 Years**

(21) Appl. No.: **29/341,659**

(22) Filed: **Aug. 10, 2009**

(51) **LOC (9) Cl.** ..... **06-04**

(52) **U.S. Cl.** ..... **D6/629**

(58) **Field of Classification Search** ..... D6/407,  
D6/629-630, 464-466, 468; 211/40; 312/9.1,  
312/9.9, 9.47, 9.48, 9.51, 9.52, 9.64  
See application file for complete search history.

(56) **References Cited**

**U.S. PATENT DOCUMENTS**

D275,058	S	*	8/1984	Flum	.....	D6/467
4,685,647	A	*	8/1987	Calhoun	.....	248/444.1
D358,524	S	*	5/1995	Sedon et al.	.....	D6/629
D358,525	S	*	5/1995	Sedon et al.	.....	D6/629
D358,526	S	*	5/1995	Sedon et al.	.....	D6/629
D404,956	S	*	2/1999	Cheris et al.	.....	D6/629
D404,957	S	*	2/1999	Cheris et al.	.....	D6/629
D470,354	S	*	2/2003	Udommahuntisuk	.....	D6/629
D485,725	S	*	1/2004	Real	.....	D6/629
D493,659	S	*	8/2004	Ohayon	.....	D6/629
D507,145	S	*	7/2005	Prata dos Santos	.....	D6/629
D510,673	S	*	10/2005	Prata dos Santos	.....	D6/629
D513,008	S	*	12/2005	Takizawa et al.	.....	D14/447
D522,790	S	*	6/2006	Hunt et al.	.....	D6/629
D524,586	S	*	7/2006	Menard	.....	D6/629
D543,068	S	*	5/2007	Ng	.....	D6/634
D551,892	S	*	10/2007	Huang	.....	D6/629
D552,378	S	*	10/2007	Hussaini et al.	.....	D6/467
D552,399	S	*	10/2007	Jaricot	.....	D6/629
D564,763	S	*	3/2008	Yue	.....	D6/313
D588,139	S	*	3/2009	Fujino et al.	.....	D14/447

2008/0061207 A1\* 3/2008 Panziera et al. .... 248/346.01

\* cited by examiner

*Primary Examiner*—Caron Veynar

*Assistant Examiner*—Kelley A Donnelly

(74) *Attorney, Agent, or Firm*—Bernard L. Kleinke; Duckor Spradling Metzger & Wynne

(57) **CLAIM**

The ornamental design for a media storage organizer, as shown and described.

**DESCRIPTION**

FIG. 1 is a right top perspective view of a first embodiment of a media storage organizer;

FIG. 2 is a left top perspective view thereof;

FIG. 3 is a left rear perspective view thereof;

FIG. 4 is a right rear perspective view thereof;

FIG. 5 is an elevational view of the front side thereof;

FIG. 6 is an elevational view of the rear side thereof;

FIG. 7 is an elevational view of the left side thereof;

FIG. 8 is an elevational view of the right side thereof;

FIG. 9 is a top plan view thereof;

FIG. 10 is a left top perspective view of a second embodiment of a media storage organizer;

FIG. 11 is a right top perspective view thereof;

FIG. 12 is a right rear perspective view thereof;

FIG. 13 is a left rear perspective view thereof;

FIG. 14 is an elevational view of the front side thereof;

FIG. 15 is an elevational view of the rear side thereof;

FIG. 16 is an elevational view of the left side thereof;

FIG. 17 is an elevational view of the right side thereof; and,

FIG. 18 is a top plan view thereof.

The broken lines in the drawings form no part of the claimed design.

**1 Claim, 10 Drawing Sheets**

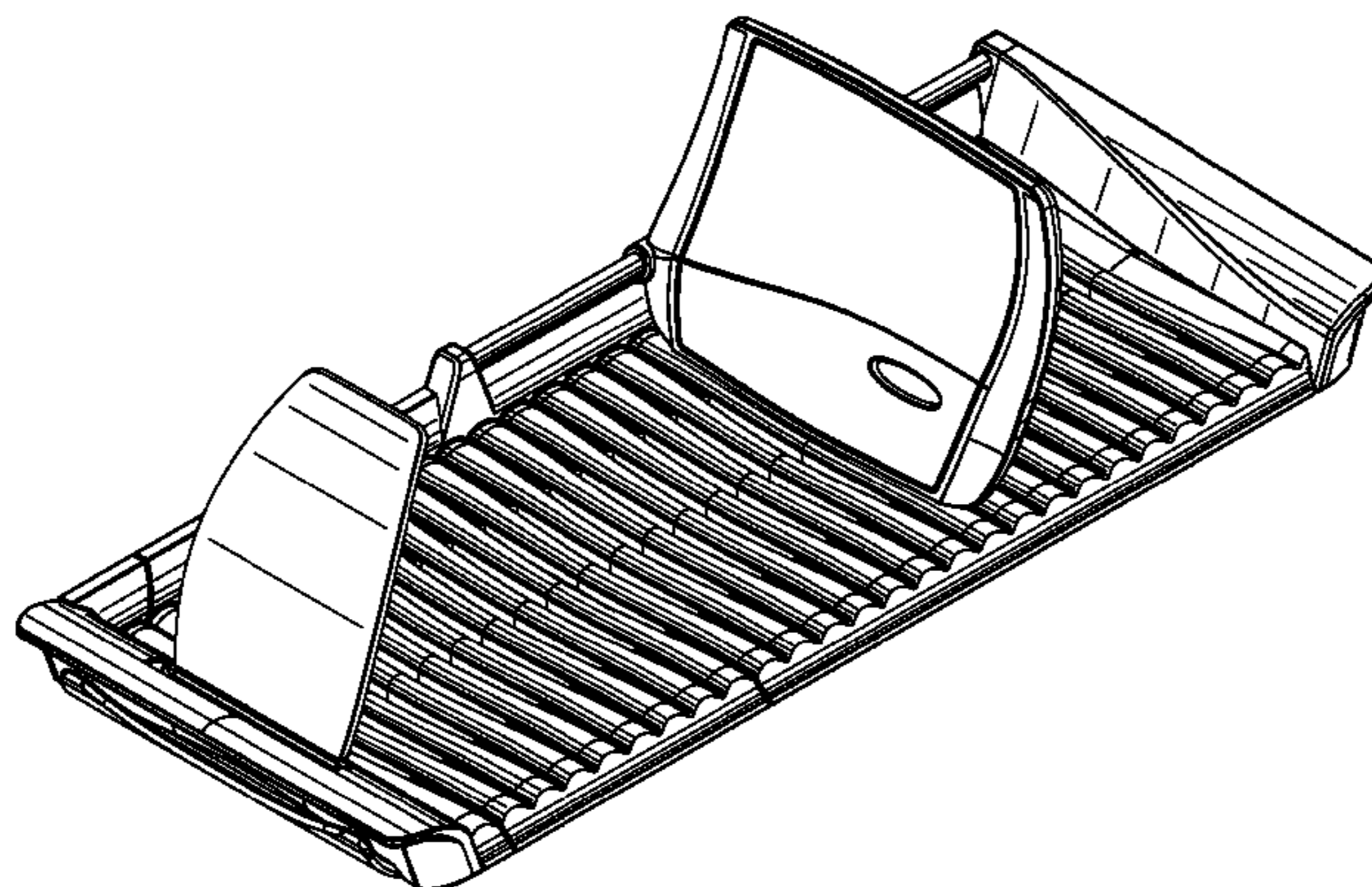


Fig. 1

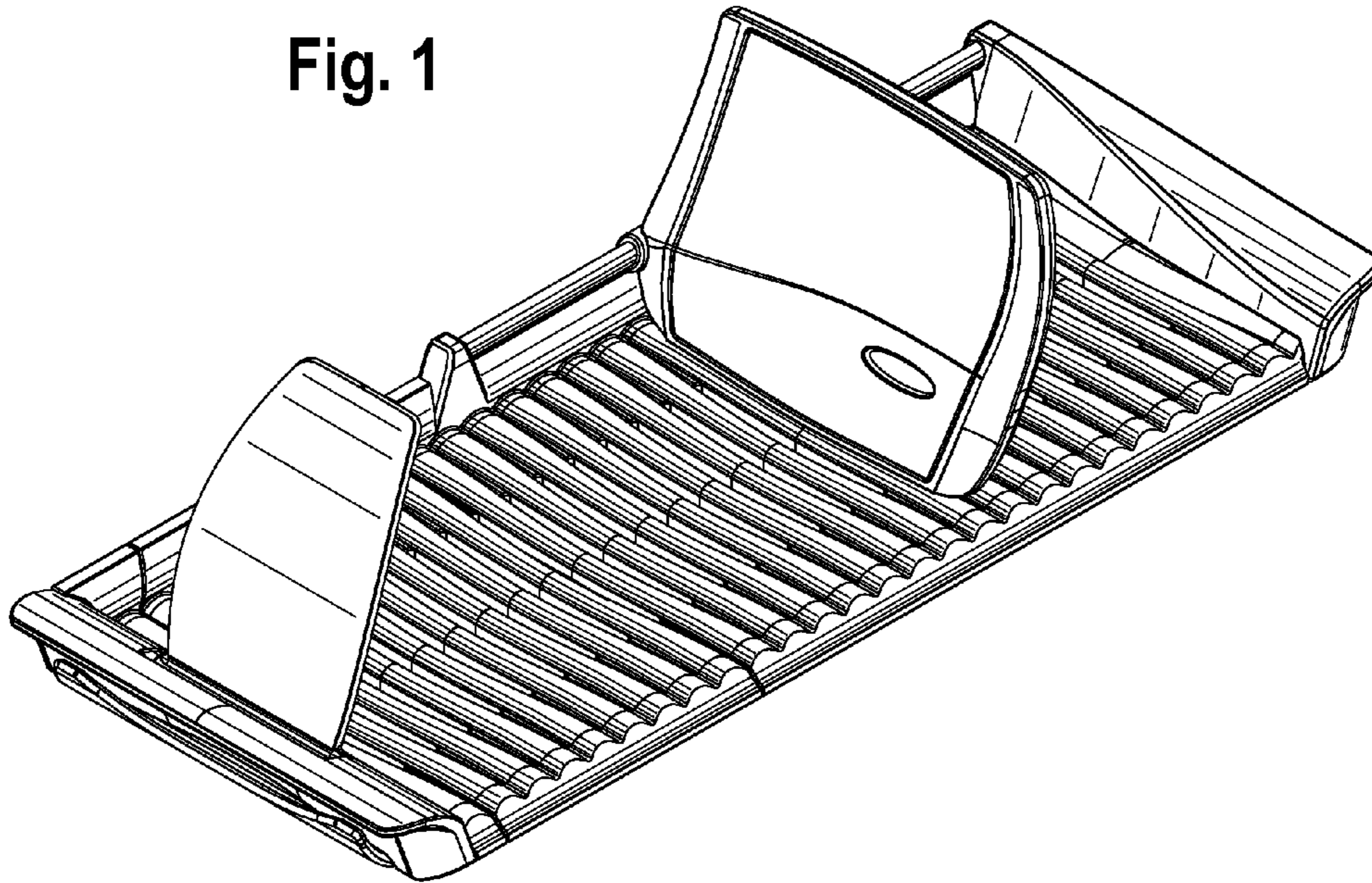


Fig. 2

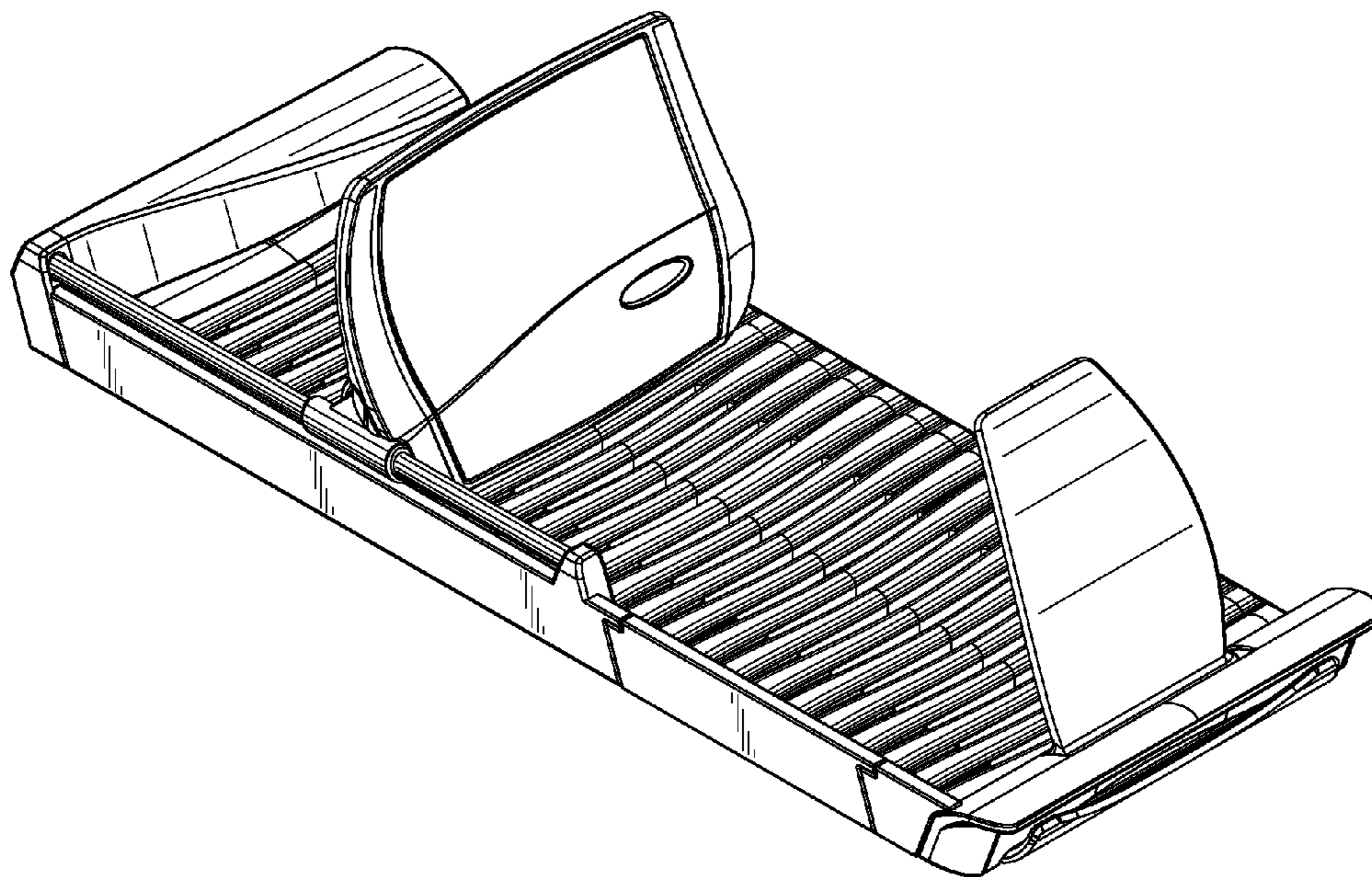


Fig. 3

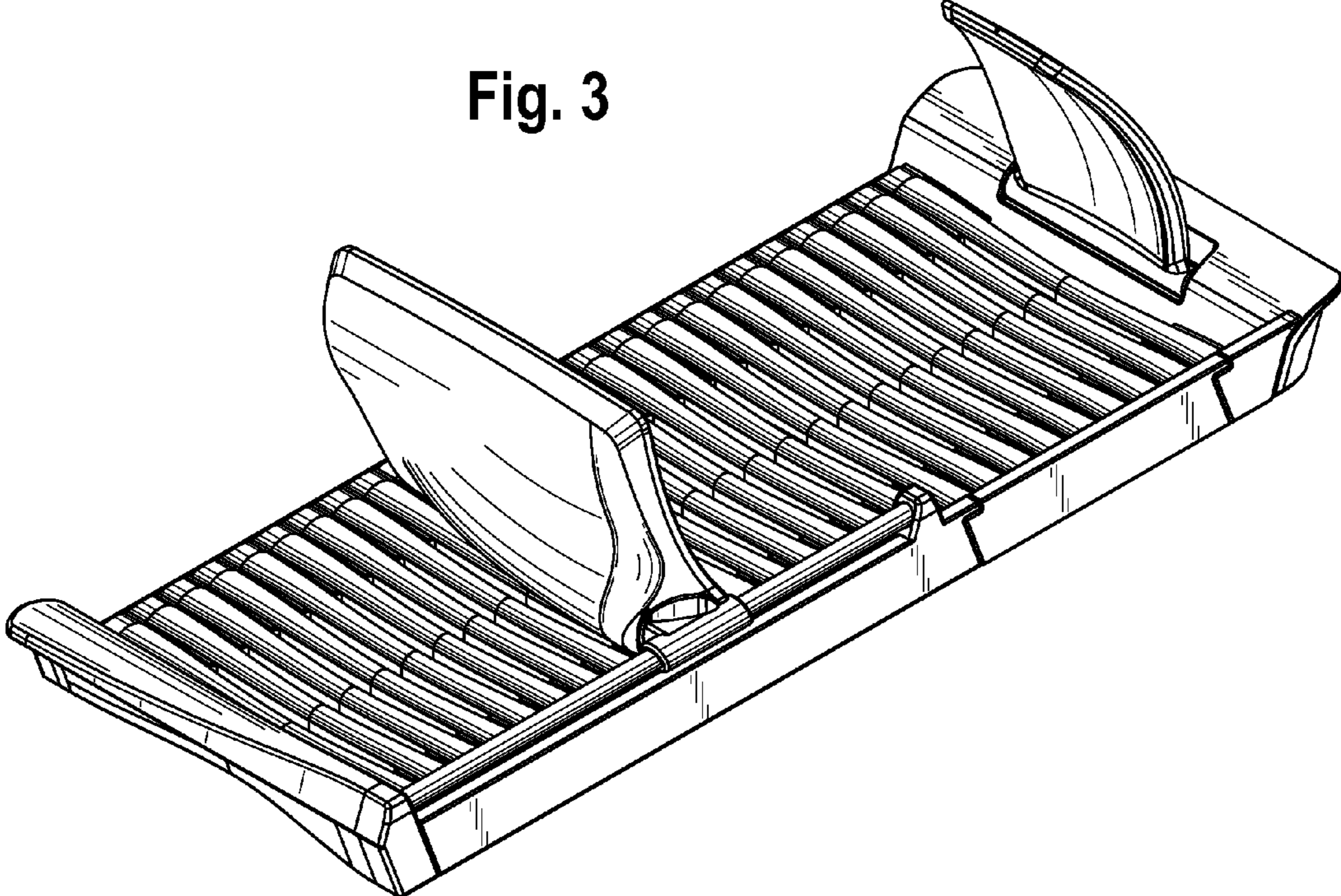
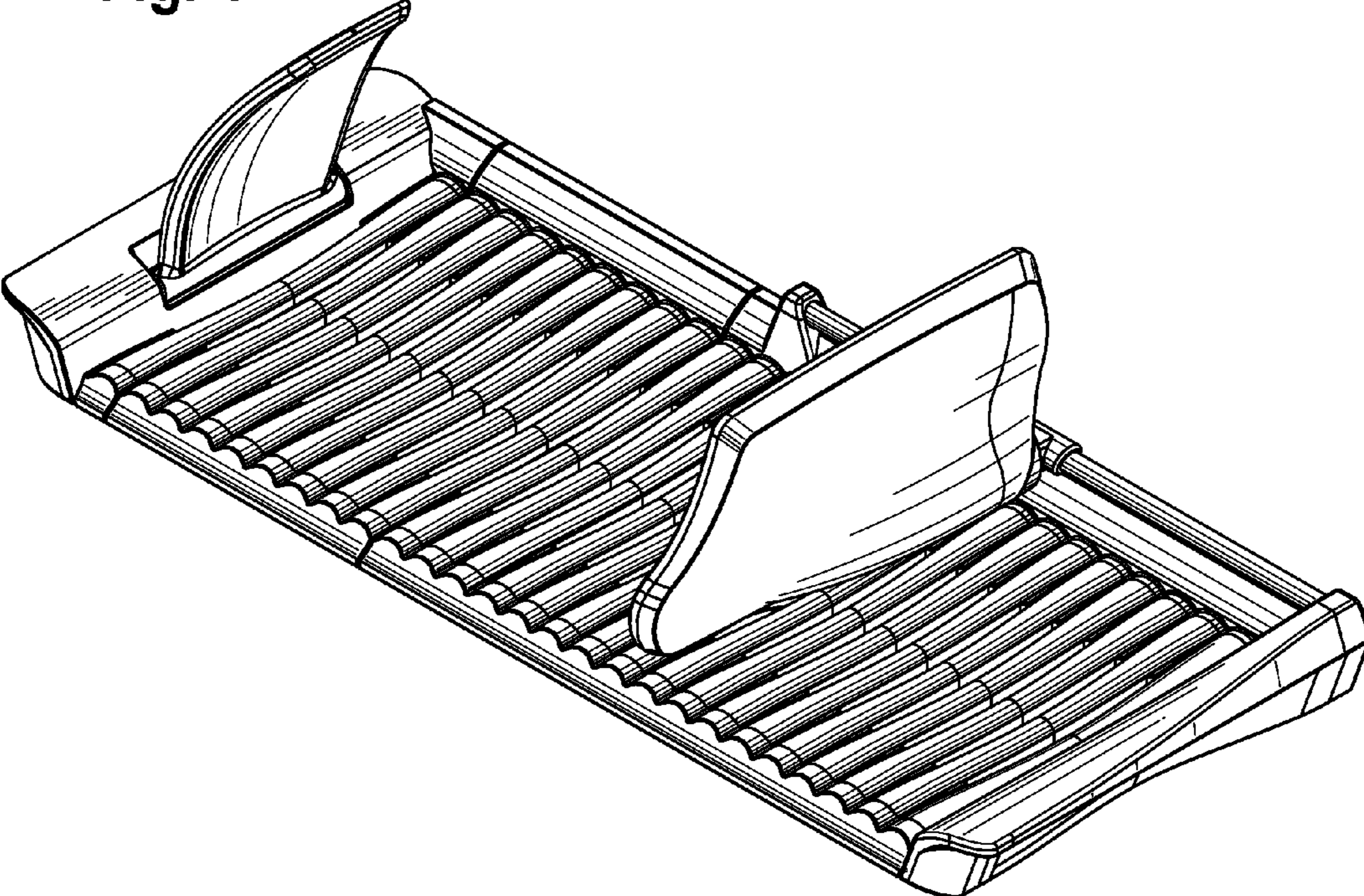
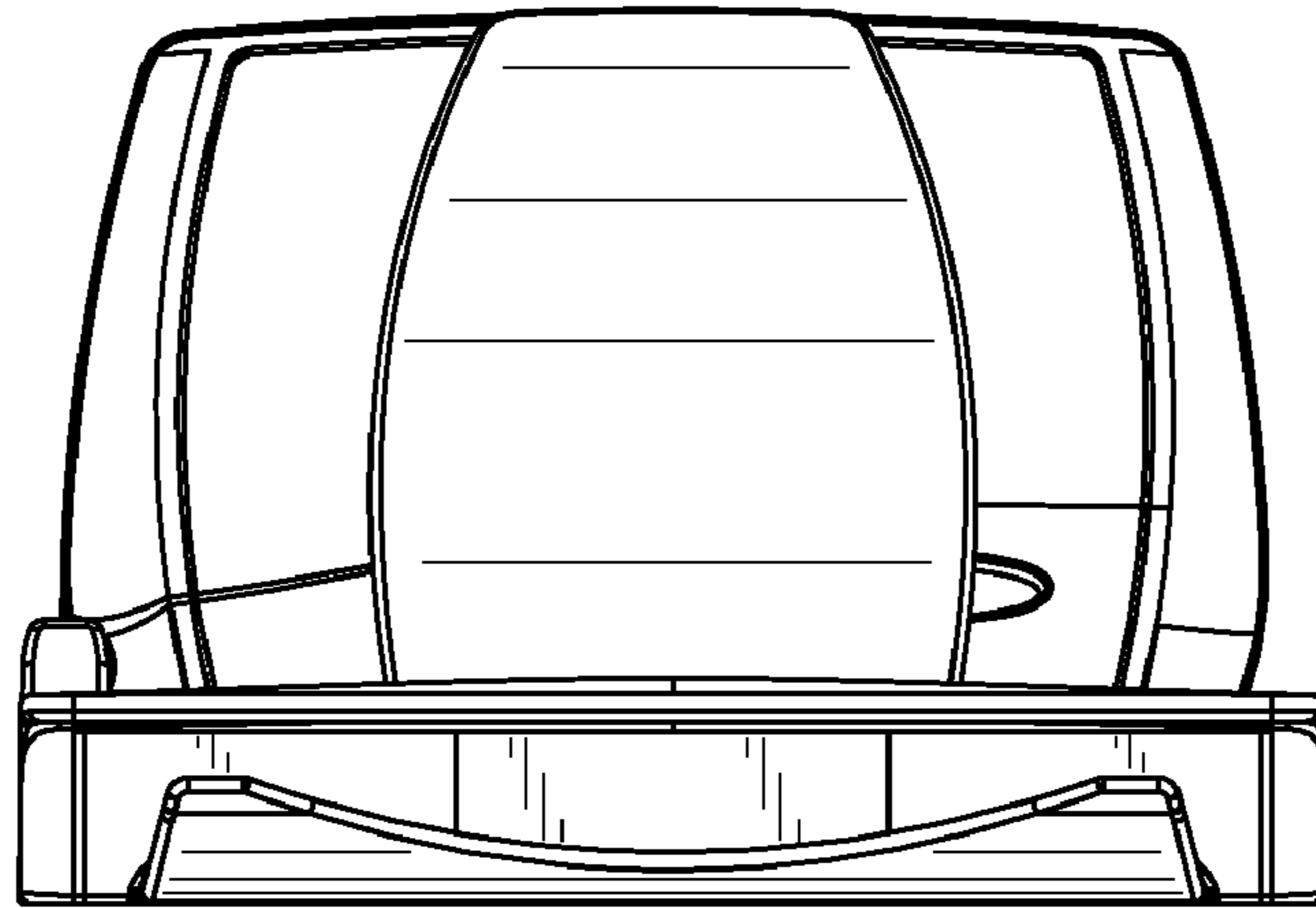


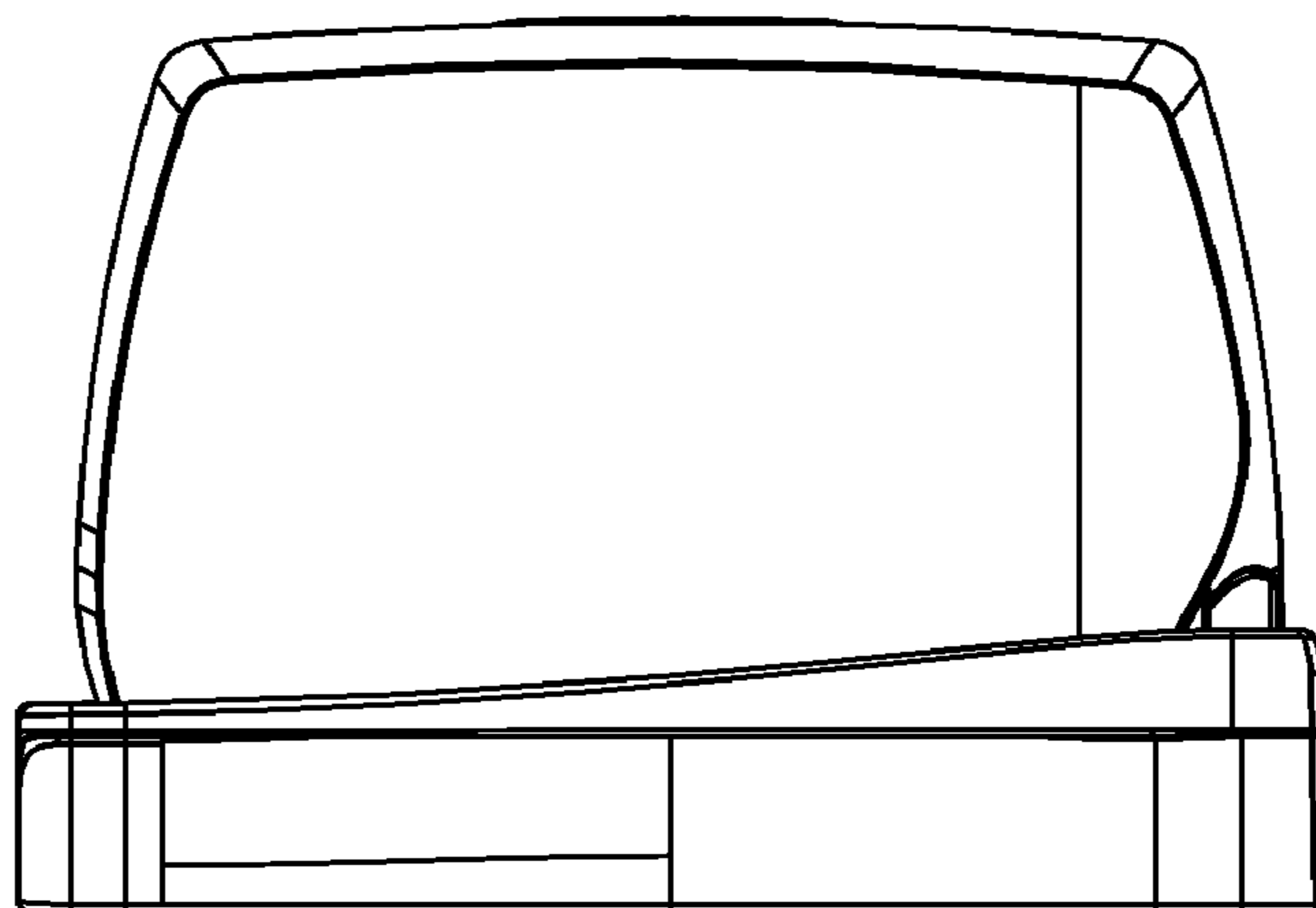
Fig. 4



**Fig. 5**



**Fig. 6**



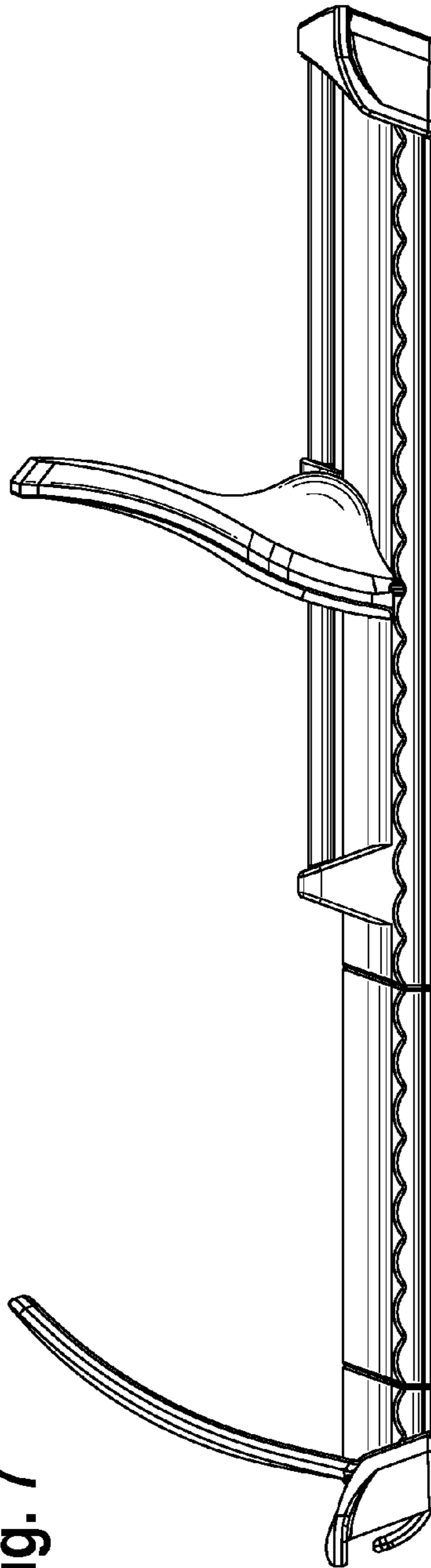


Fig. 7

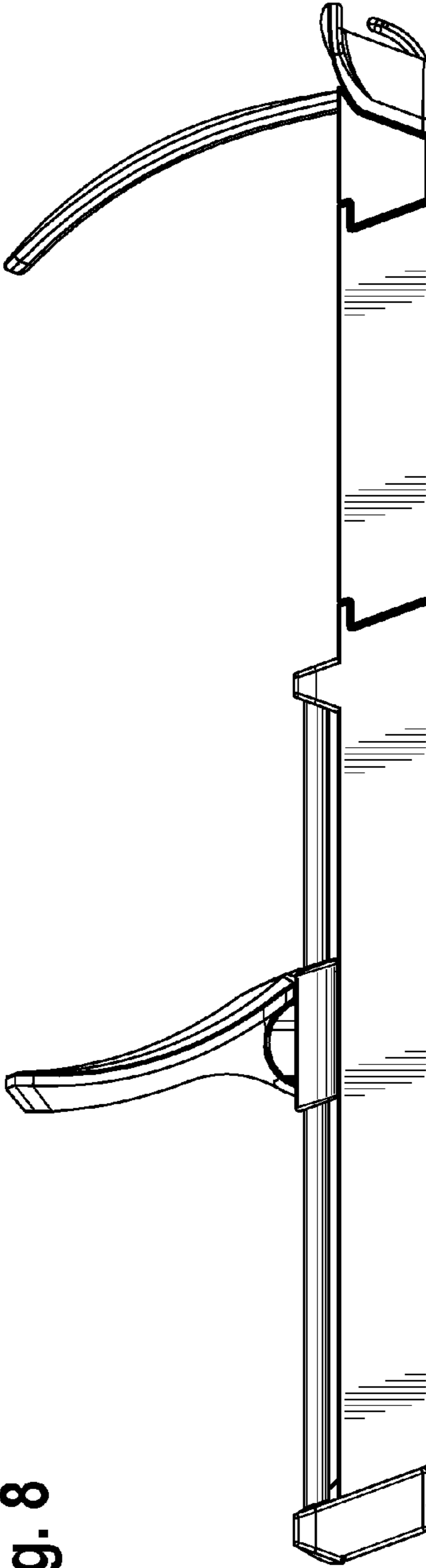


Fig. 8

Fig. 9

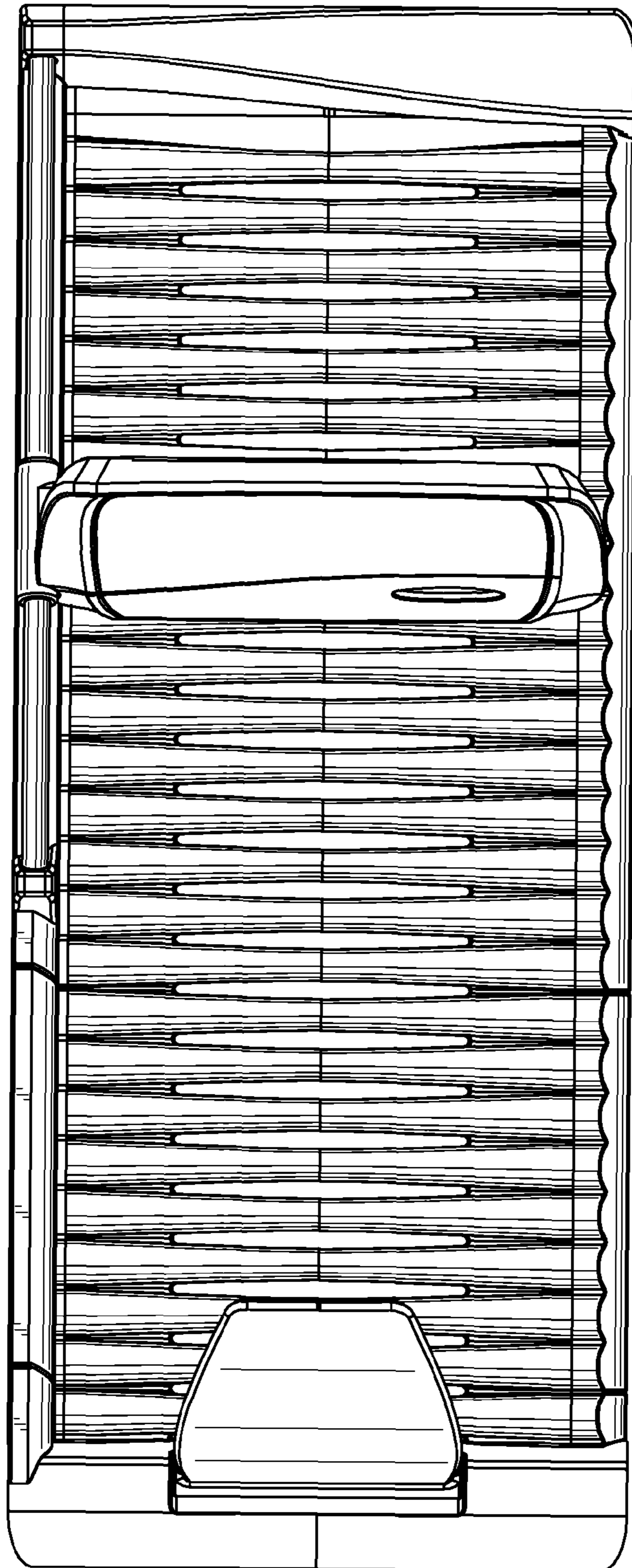


Fig. 10

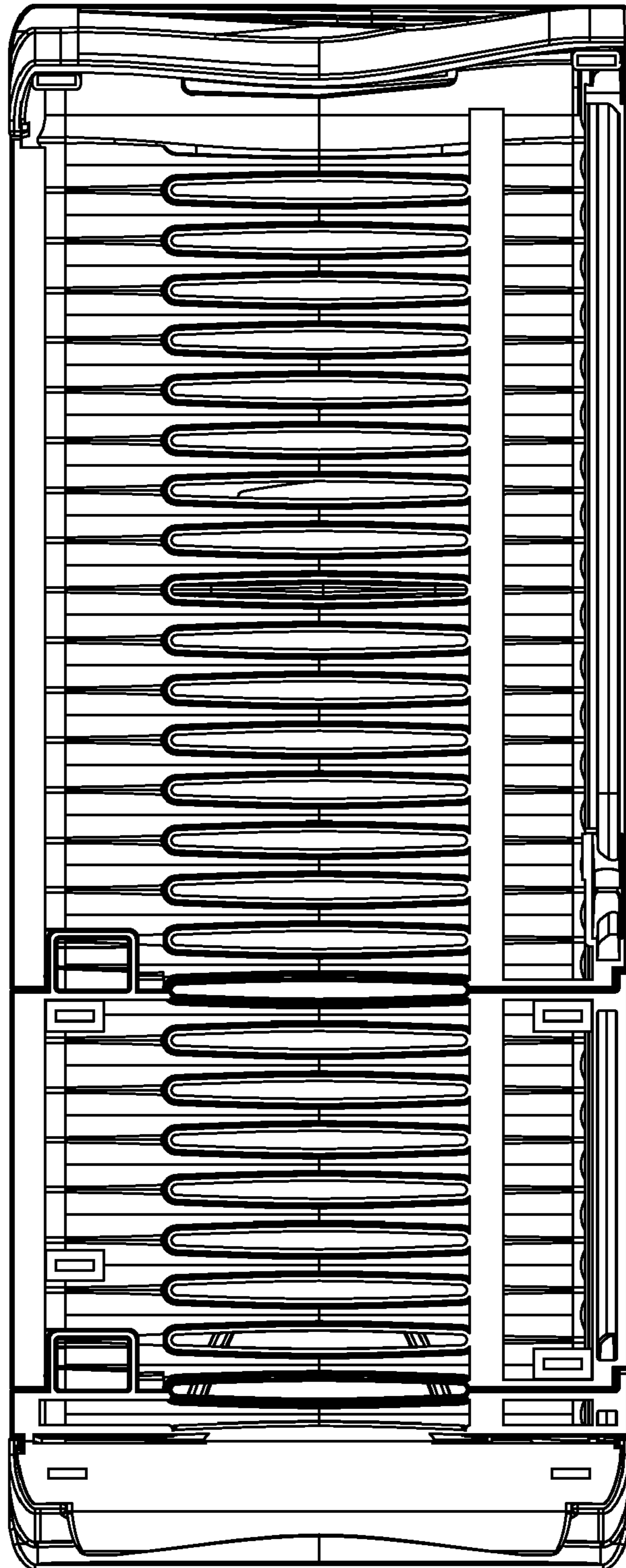


Fig. 11

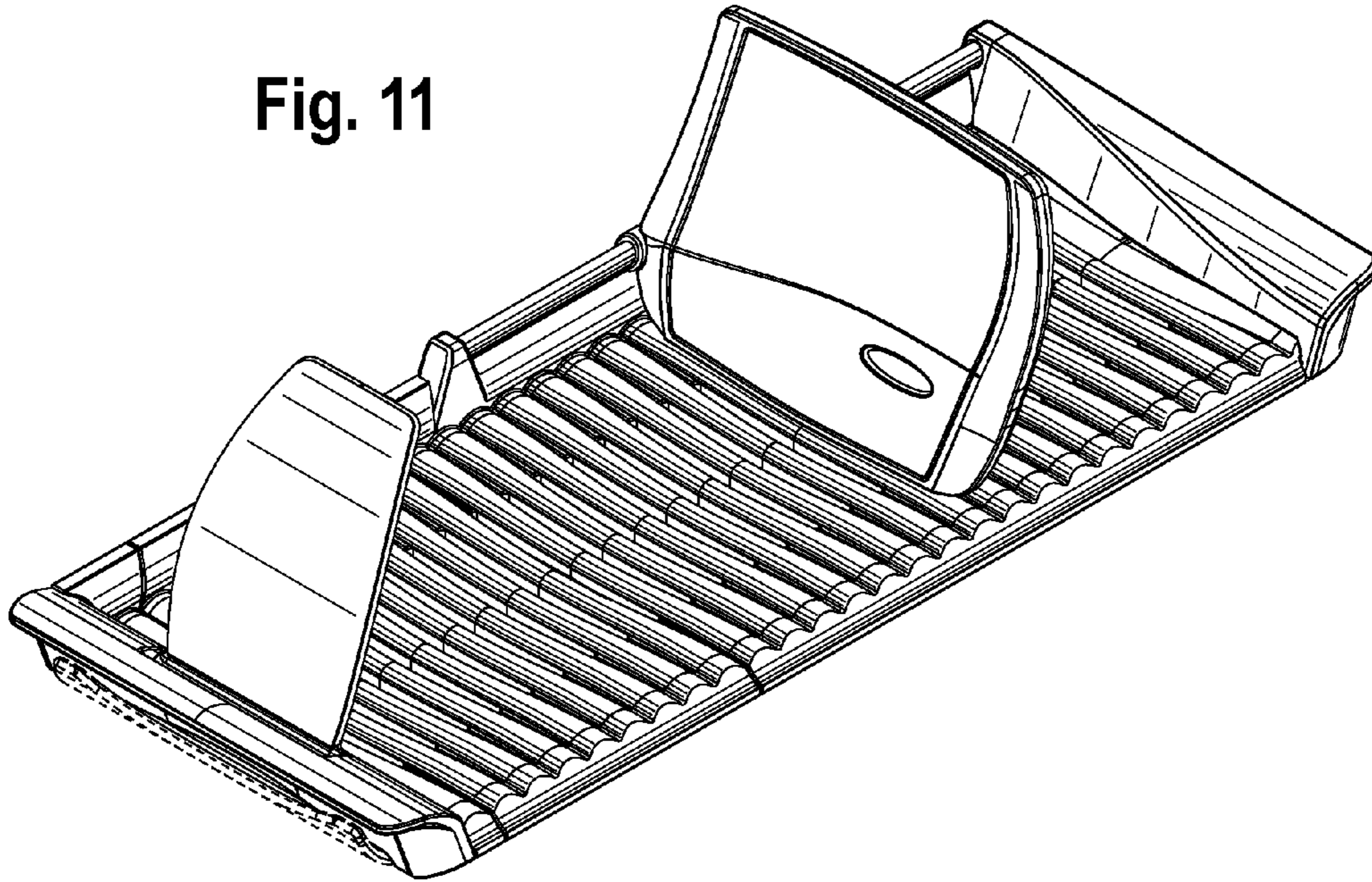


Fig. 12

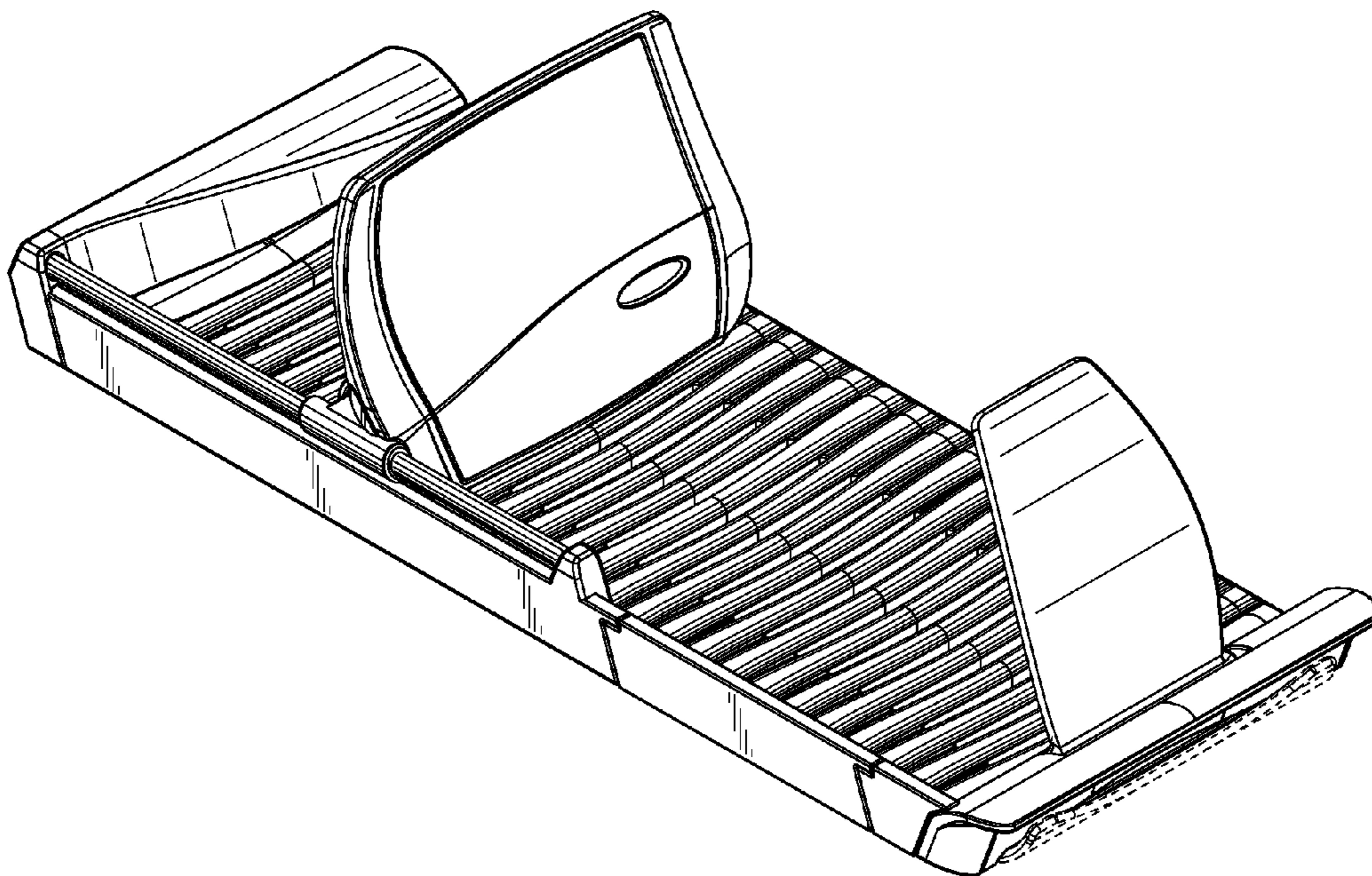




Fig. 13

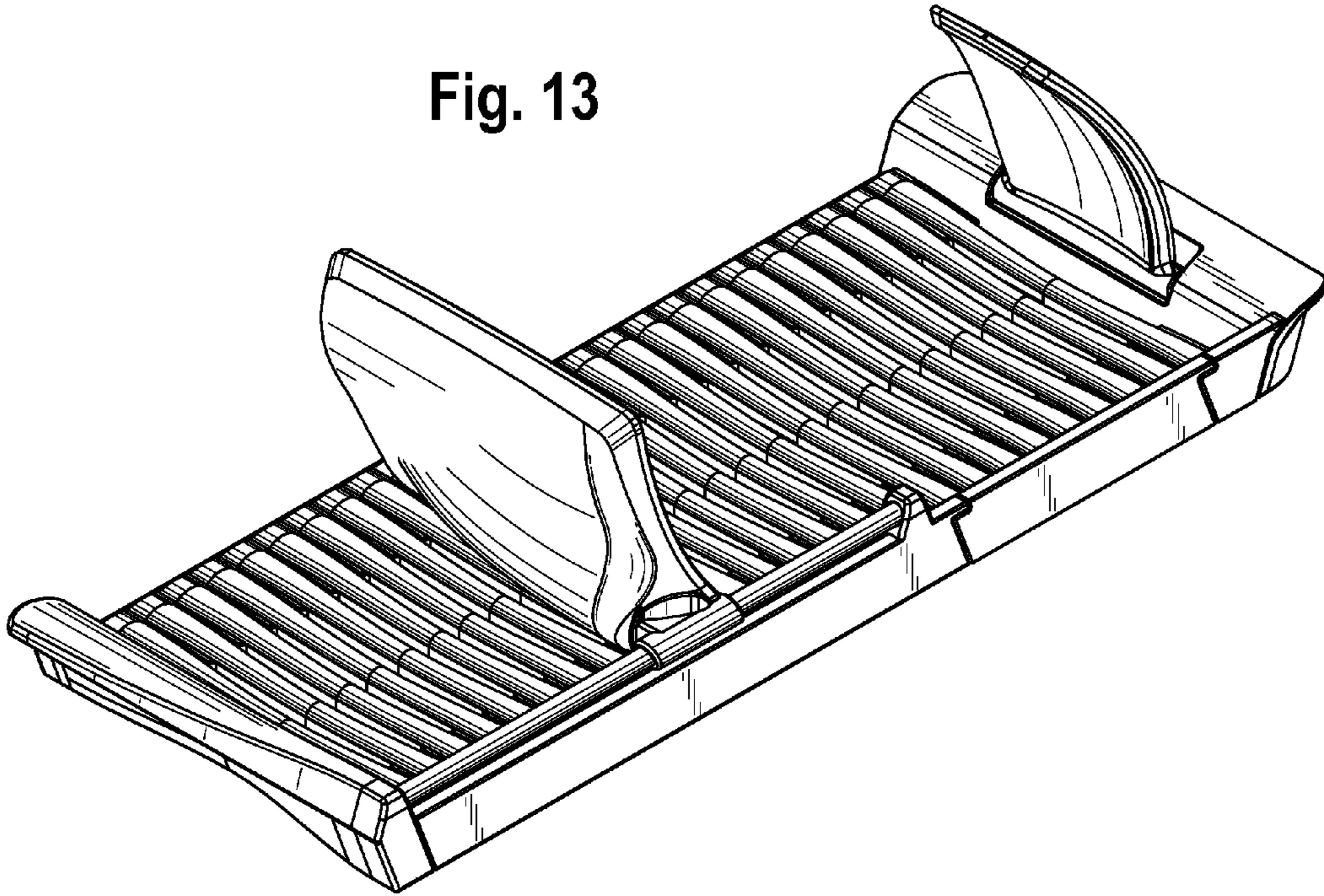
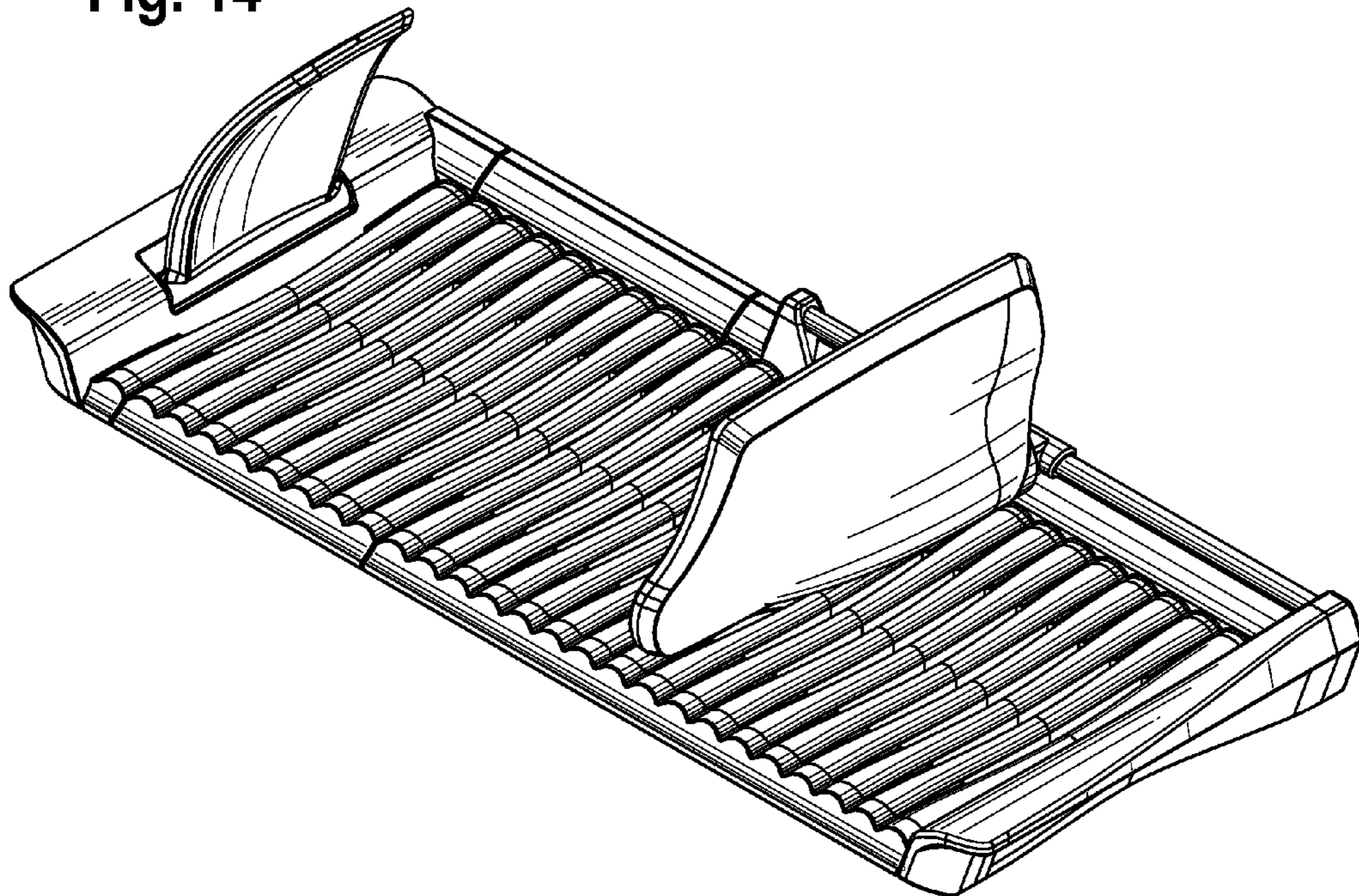
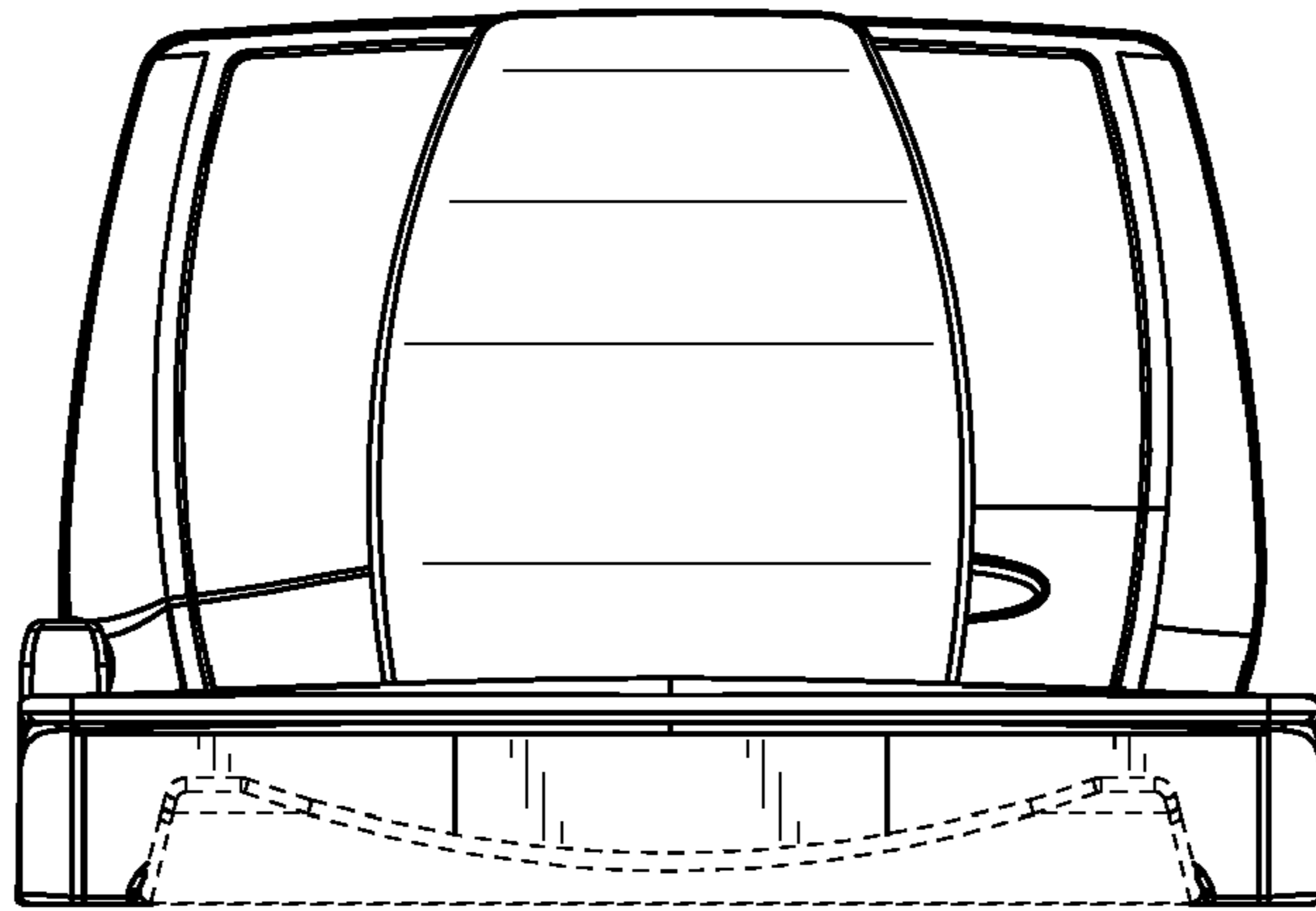


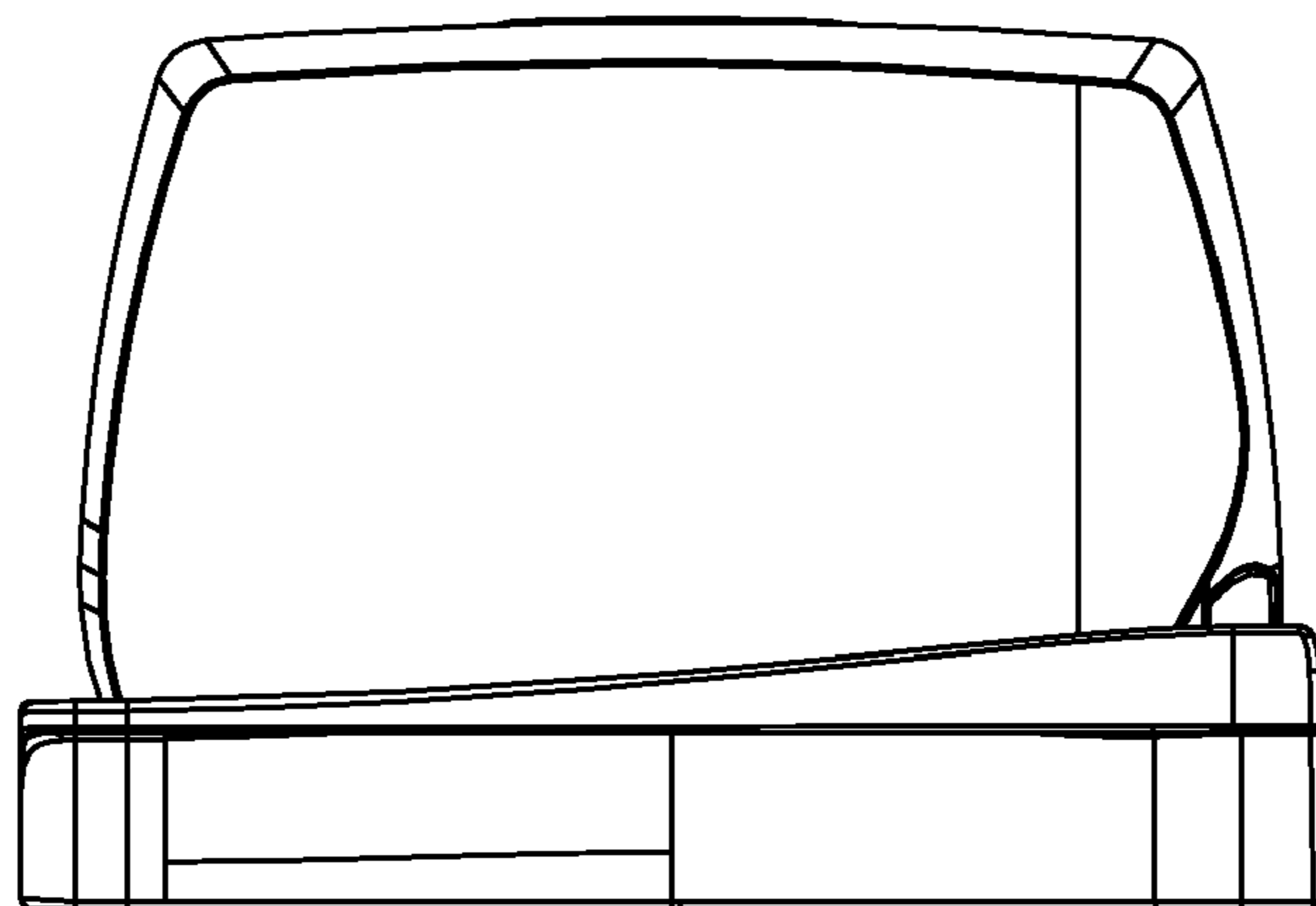
Fig. 14



**Fig. 15**



**Fig. 16**



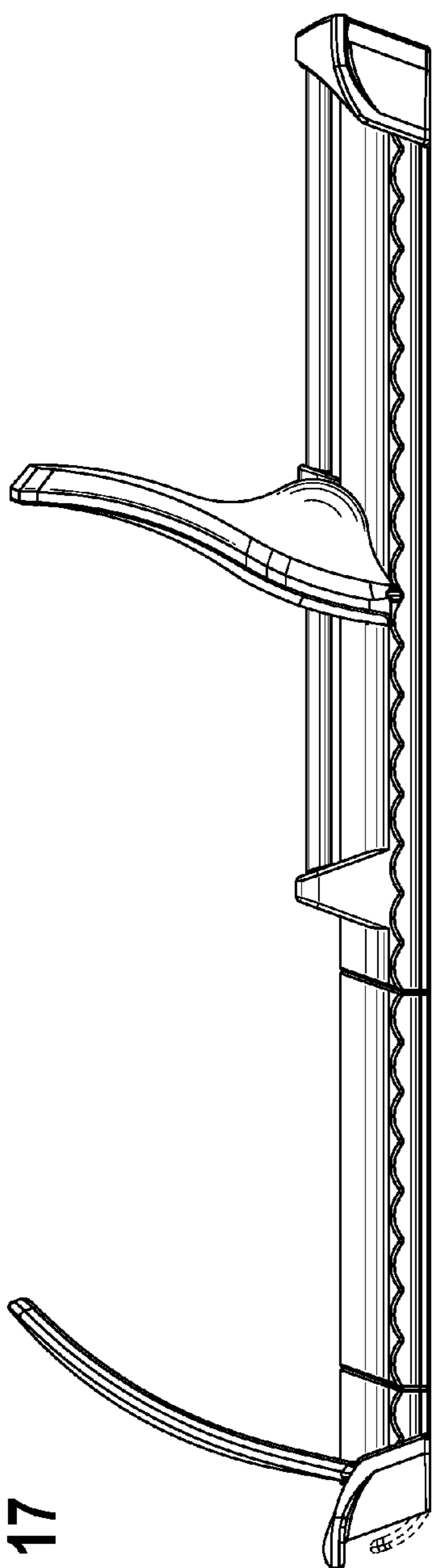


Fig. 17

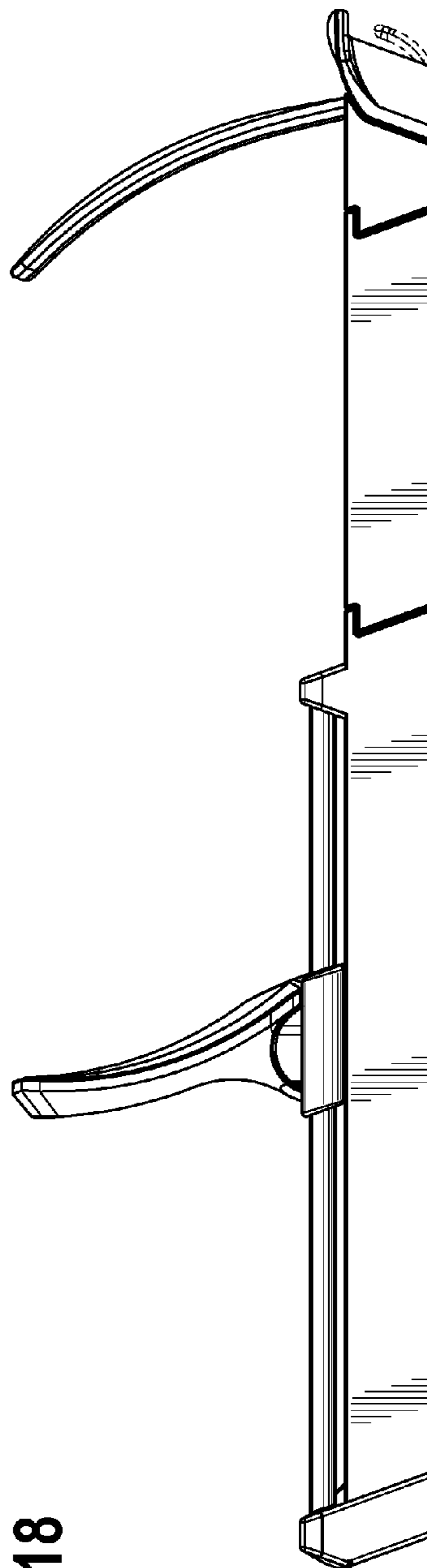


Fig. 18