

US00D629633S

(12) **United States Design Patent**  
**Aldred**

(10) **Patent No.:** **US D629,633 S**  
(45) **Date of Patent:** **\*\* Dec. 28, 2010**

(54) **FOLDING TABLE**

FOREIGN PATENT DOCUMENTS

(75) Inventor: **Darren Aldred**, Morristown, TN (US)

WO WO/2009/011185 1/2008

(73) Assignee: **Meco Corporation**, Greeneville, TN (US)

(Continued)

(\*\*) Term: **14 Years**

OTHER PUBLICATIONS

(21) Appl. No.: **29/345,896**

Brown Jordan c1986, p. 27, table at top of page.\*

(22) Filed: **Oct. 23, 2009**

*Primary Examiner*—Janice E Seeger  
(74) *Attorney, Agent, or Firm*—McGuireWoods LLP

(51) **LOC (9) Cl.** ..... **06-03**

(57) **CLAIM**

(52) **U.S. Cl.** ..... **D6/488**

I claim the ornamental design for a folding table, as shown and described.

(58) **Field of Classification Search** ..... D6/480–489,  
D6/495–499, 511, 429–431; 108/150, 153.1,  
108/155, 156, 157.1, 161, 115, 118, 119,  
108/120, 125, 126, 129, 130, 131; 248/188,  
248/188.1, 188.8

**DESCRIPTION**

See application file for complete search history.

FIG. 1 is a top perspective view of the folding table;  
FIG. 2 is a bottom perspective view of the folding table shown in FIG. 1;  
FIG. 3 is a front view of the folding table shown in FIG. 1;  
FIG. 4 is a back view of the folding table shown in FIG. 1;  
FIG. 5 is a left side view of the folding table shown in FIG. 1;  
FIG. 6 is a right side view of the folding table shown in FIG. 1;  
FIG. 7 is a top view of the folding table shown in FIG. 1;  
FIG. 8 is a bottom view of the folding table shown in FIG. 1;  
FIG. 9 is a bottom perspective view of the folding table shown in FIG. 1 with its legs rotated; and,  
FIG. 10 is a bottom perspective view of the folding table shown in FIG. 1 with its legs rotated and folded.  
The details shown in broken lines form no part of the claimed design.

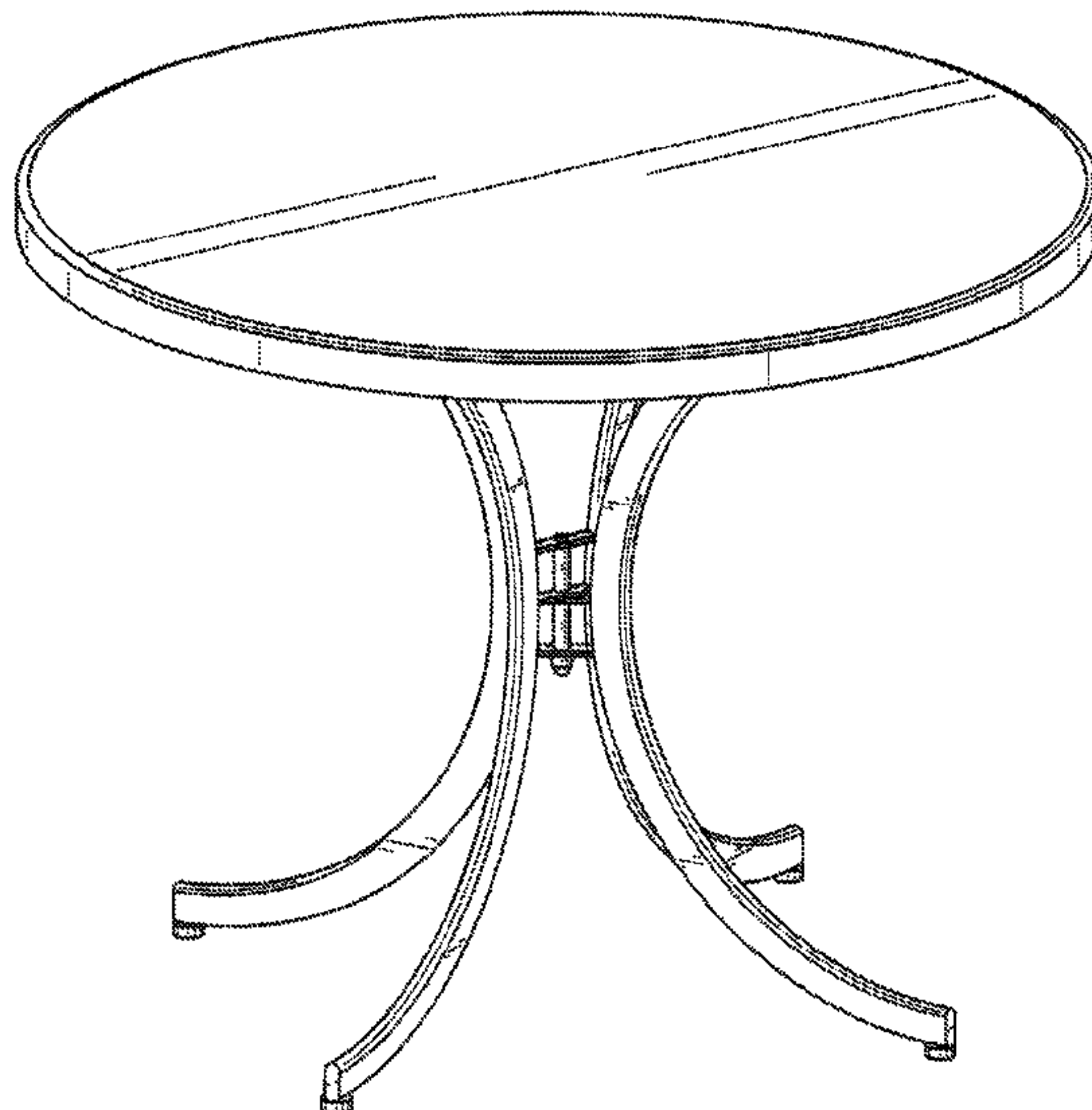
(56) **References Cited**

U.S. PATENT DOCUMENTS

1,203,783	A	11/1916	Reischmann	
1,583,999	A	5/1926	Scheibe et al.	
1,959,725	A	5/1934	Lindsay	
1,970,266	A	8/1934	Allerding	
2,088,644	A	8/1937	Erpelding	
D109,745	S *	5/1938	Trudo	D6/486
2,128,209	A	8/1938	Johannsen	
2,241,881	A	5/1941	Hanley	
2,459,529	A	1/1949	Jogwick et al.	
2,465,003	A	3/1949	Bartlett	
2,633,901	A	4/1953	Norquist	
3,120,976	A	2/1964	Van Syoc	
3,227,243	A	1/1966	Bates et al.	
3,366,079	A *	1/1968	Koransky et al.	108/157.15

(Continued)

**1 Claim, 10 Drawing Sheets**



# US D629,633 S

Page 2

## U.S. PATENT DOCUMENTS

3,695,567 A 10/1972 Weagle  
3,765,718 A 10/1973 Chen  
D235,953 S \* 7/1975 Uyeda ..... D6/487  
3,945,328 A 3/1976 Hendrickson et al.  
D280,274 S \* 8/1985 Criqui et al. .... D6/487  
D280,275 S \* 8/1985 Criqui et al. .... D6/487  
4,542,558 A 9/1985 Brockhaus  
4,561,622 A 12/1985 Heinzl  
4,838,180 A 6/1989 Gutgsell  
D335,789 S \* 5/1993 Adams ..... D6/495  
5,323,713 A 6/1994 Luyk et al.  
5,357,872 A 10/1994 Wilmore  
5,528,997 A 6/1996 Miller  
5,638,761 A 6/1997 Berkowitz et al.  
5,673,633 A 10/1997 Pfister

5,941,181 A 8/1999 Hornberger et al.  
6,056,353 A 5/2000 Meara  
6,257,153 B1 7/2001 Portugal  
6,736,076 B2 5/2004 Kaltenmark et al.  
7,350,469 B2 4/2008 Koning et al.  
D600,048 S \* 9/2009 Weissenrieder ..... D6/487  
2003/0167980 A1 9/2003 Suzuki  
2008/0042475 A1 2/2008 Wright  
2009/0114127 A1 5/2009 Wright  
2009/0151608 A1 6/2009 Aldred  
2009/0179464 A1 7/2009 Wright

## FOREIGN PATENT DOCUMENTS

WO WO/2009/076607 6/2009

\* cited by examiner

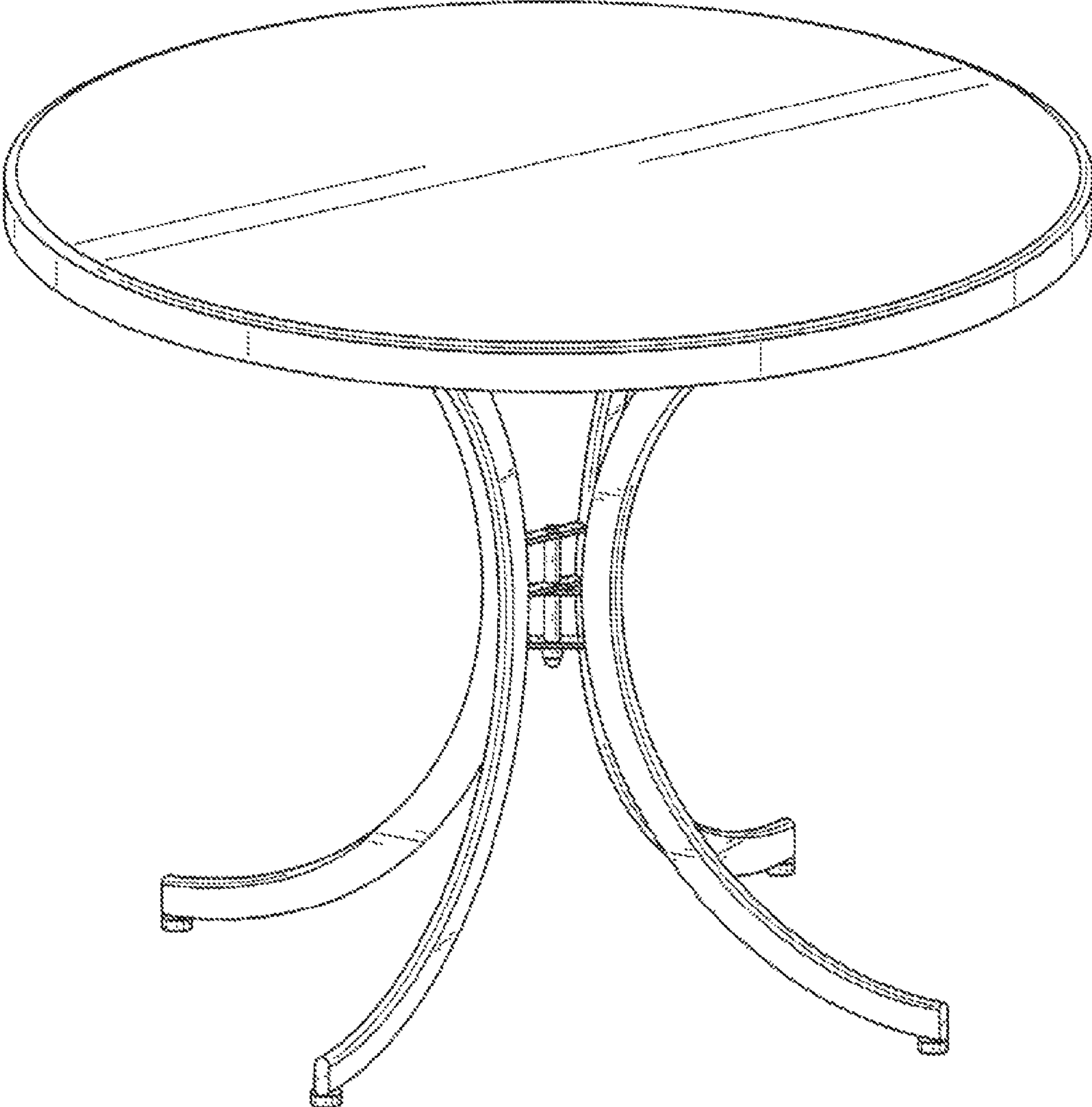


FIG. 1



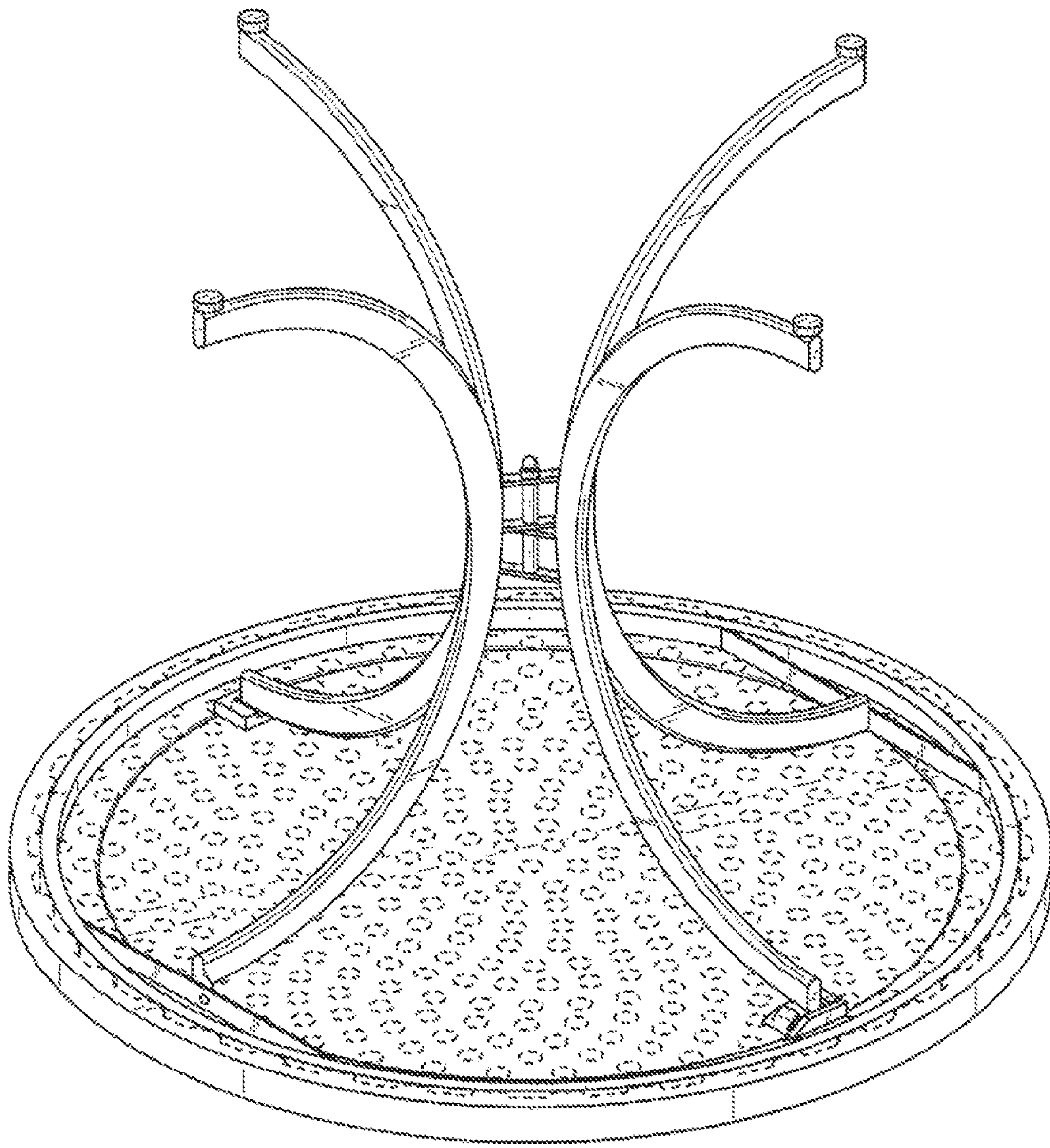


FIG. 2

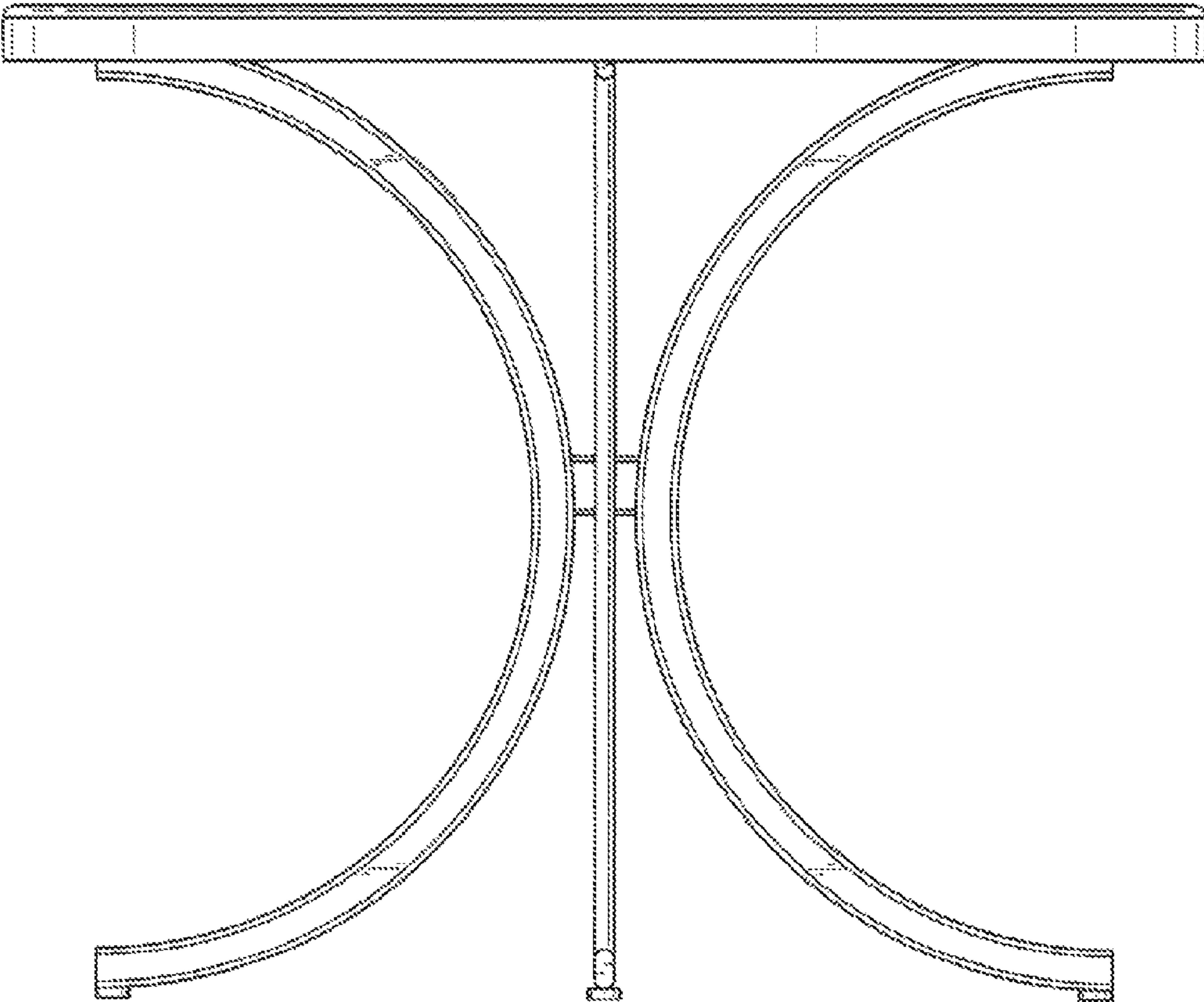


FIG. 3

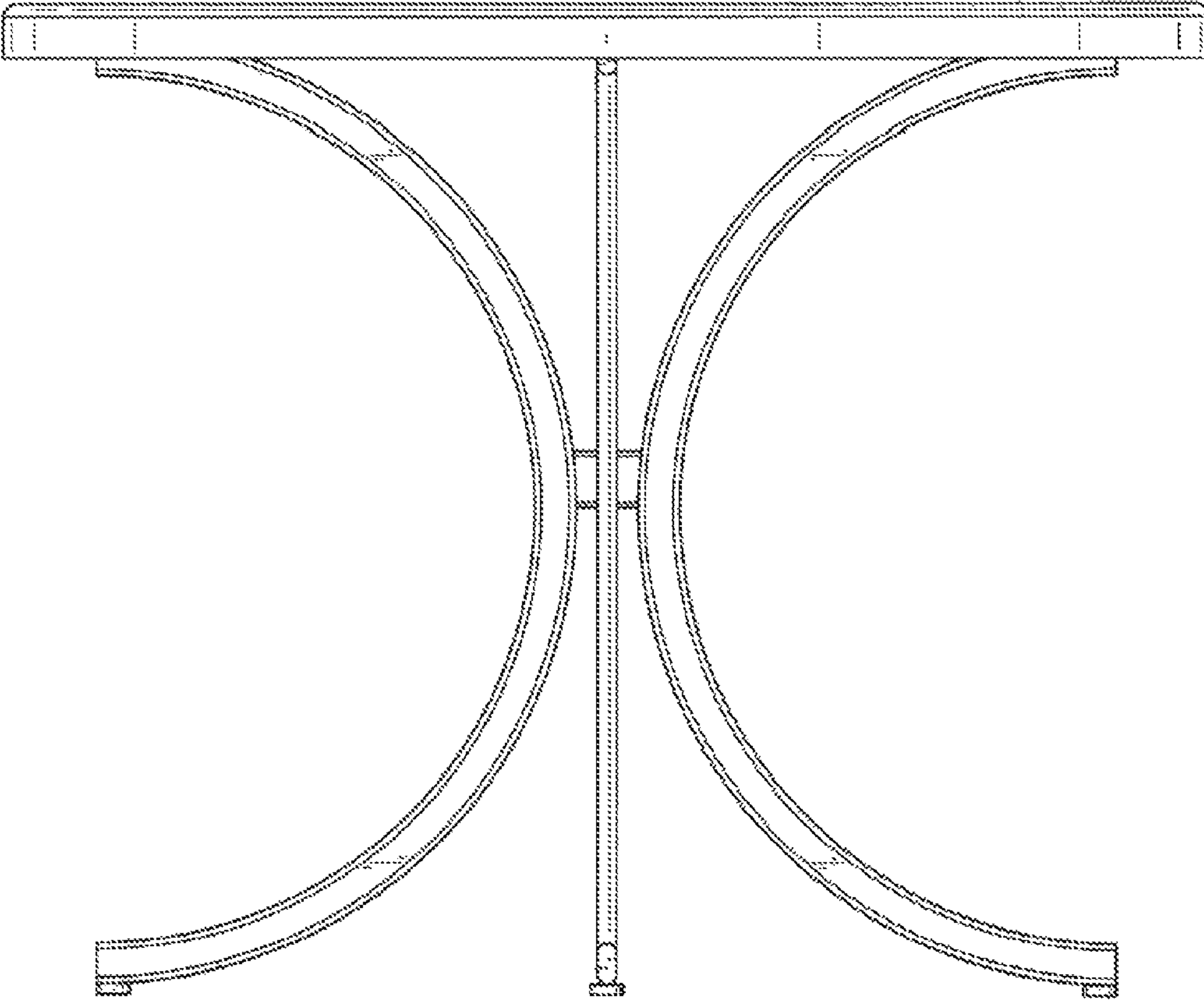


FIG. 4

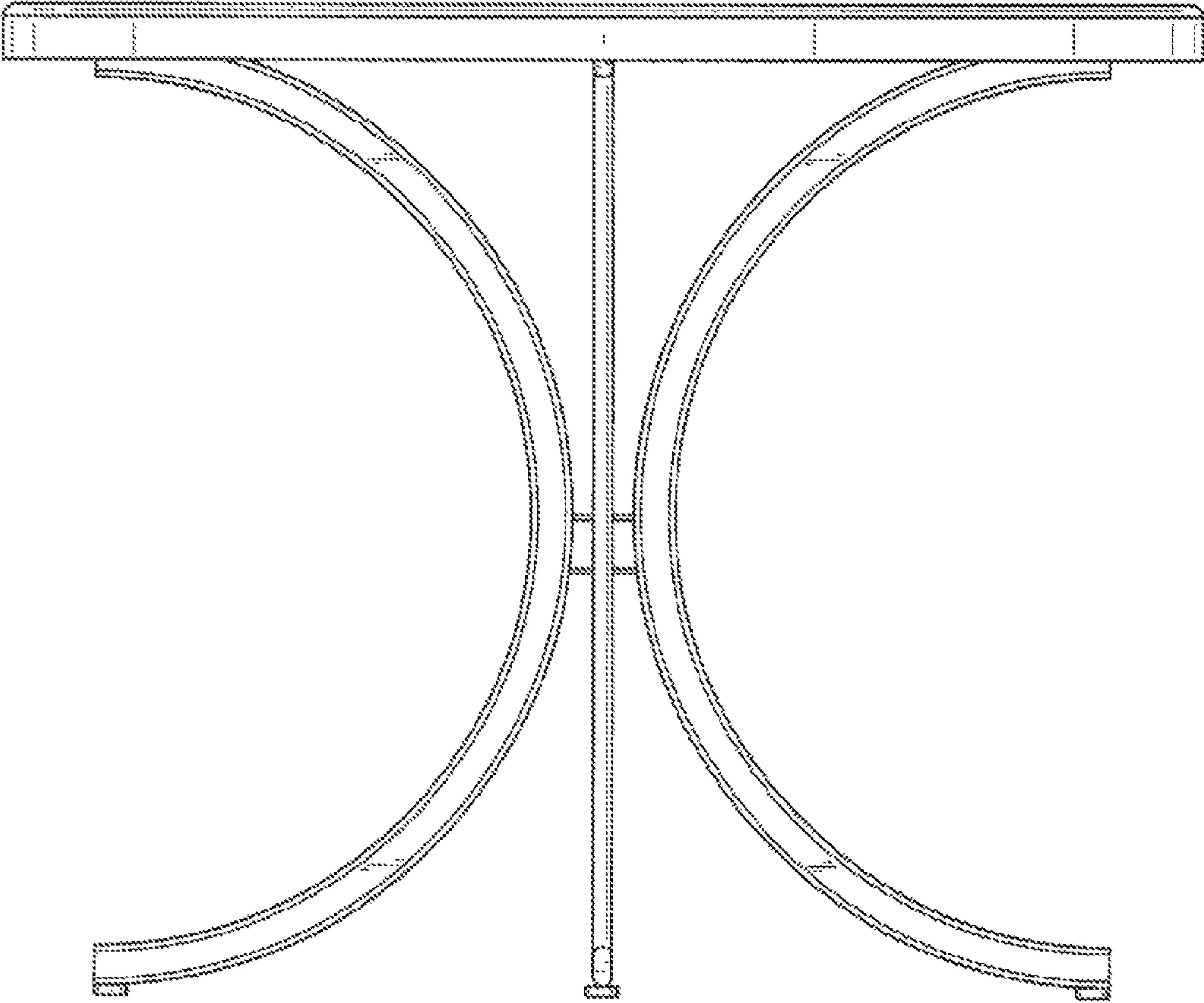


FIG. 5

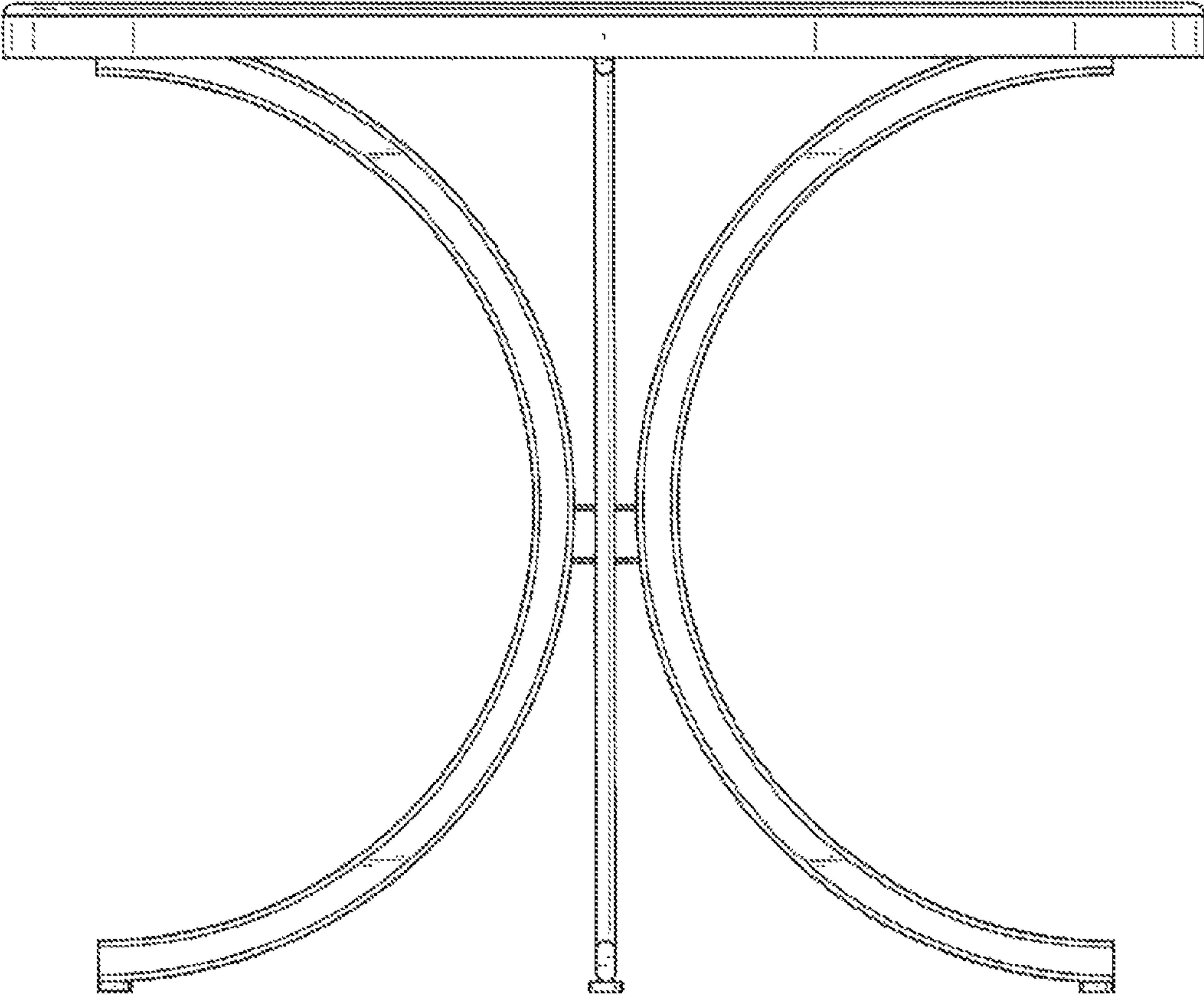


FIG. 6



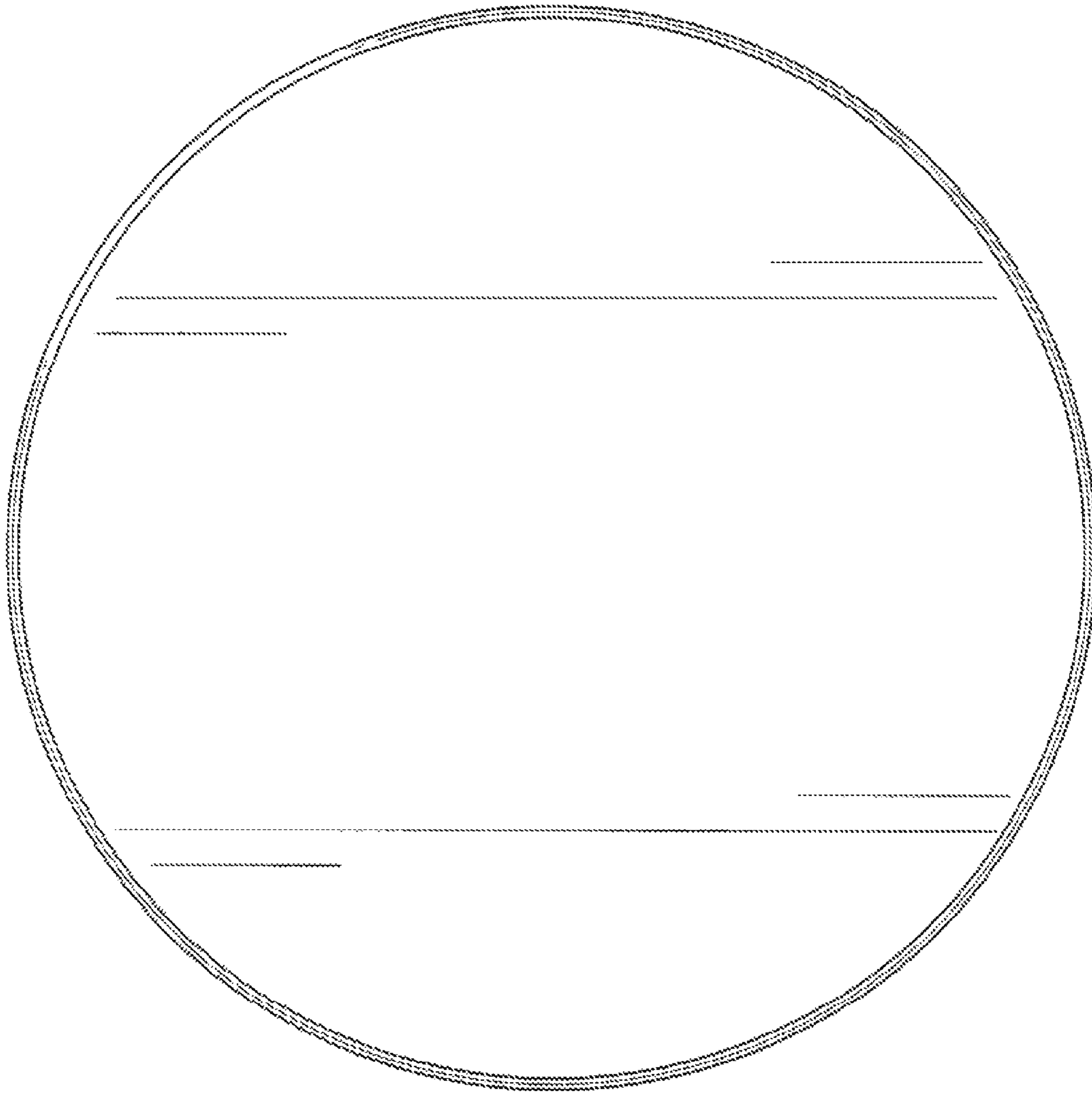


FIG. 7

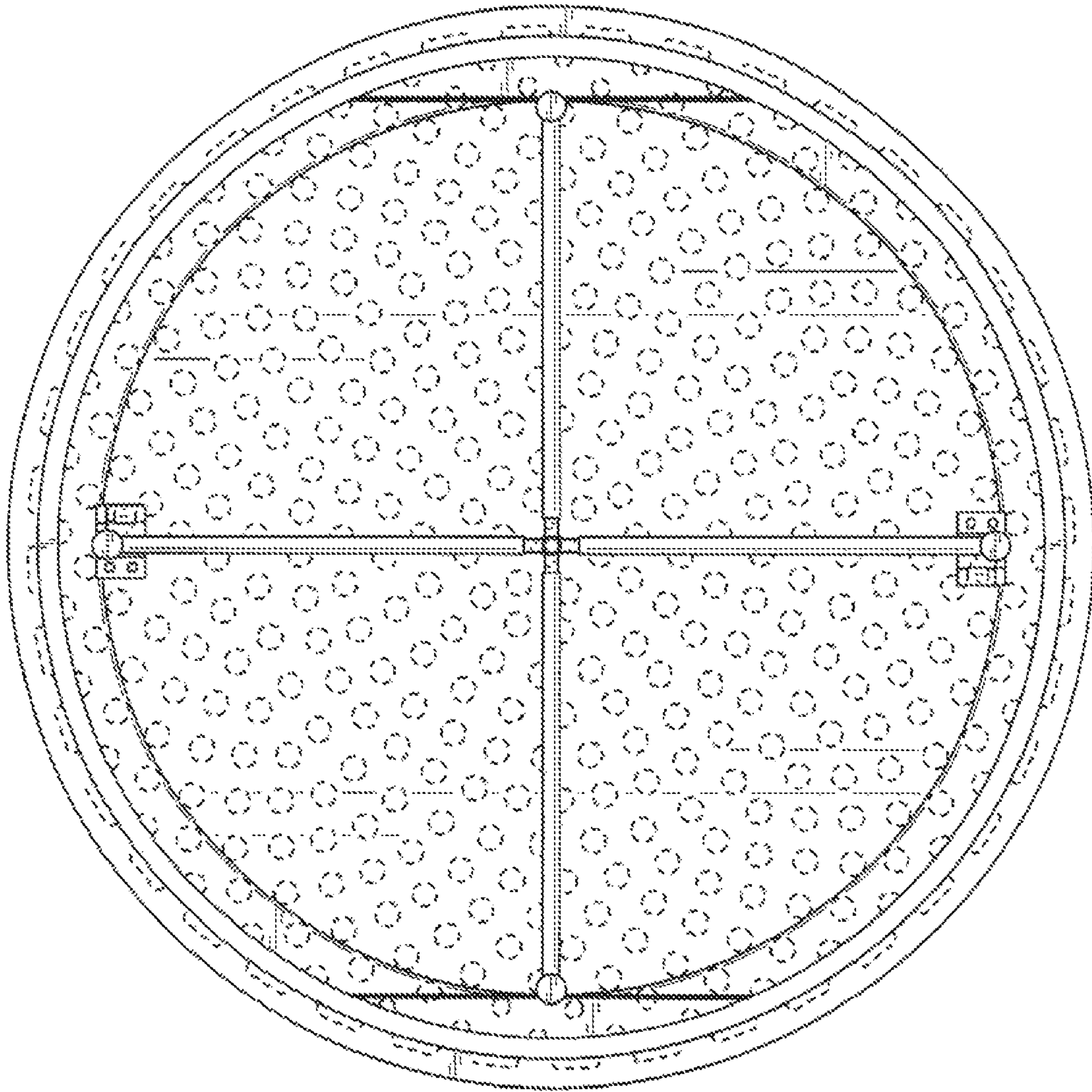


FIG. 8

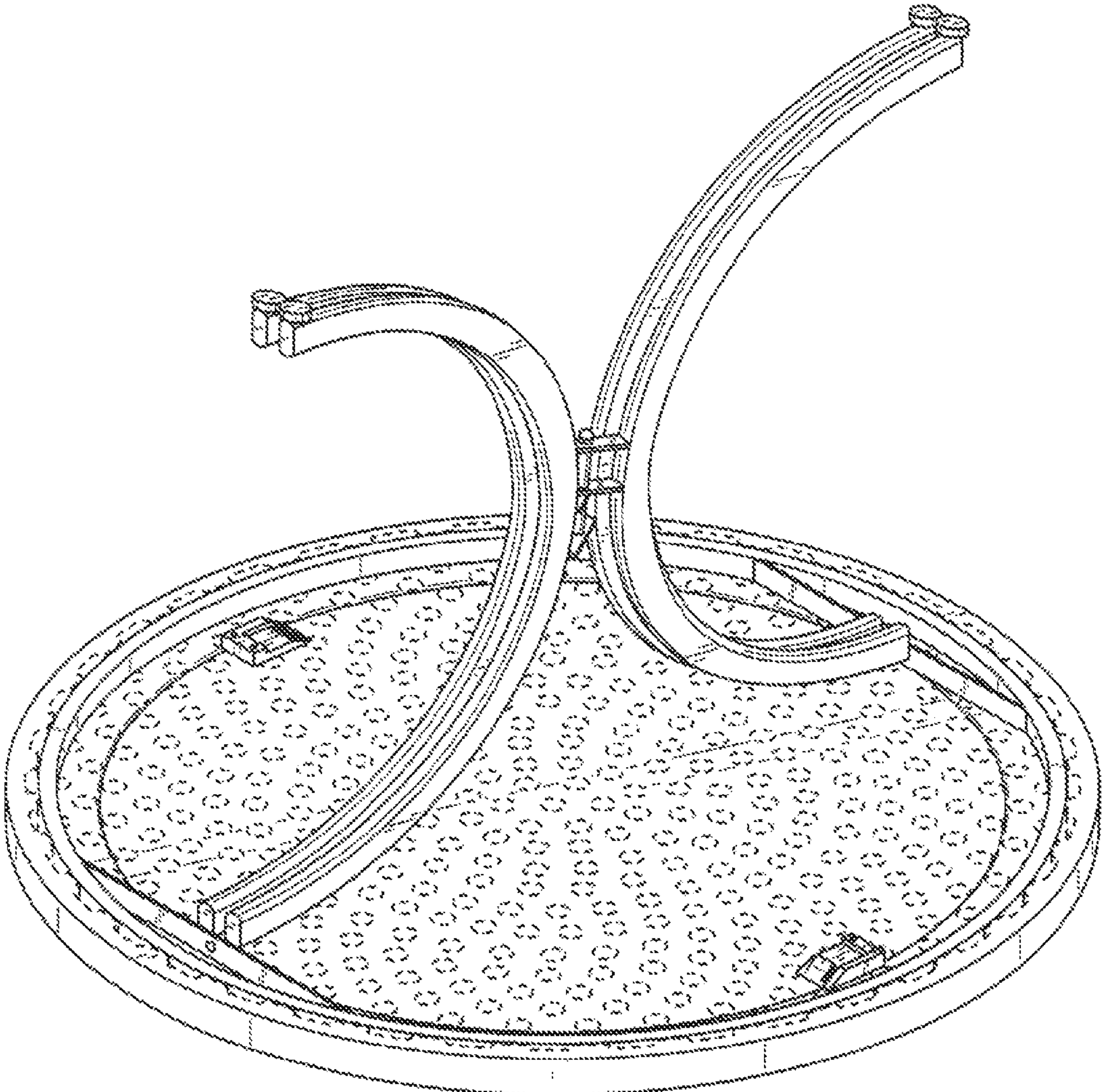


FIG. 9



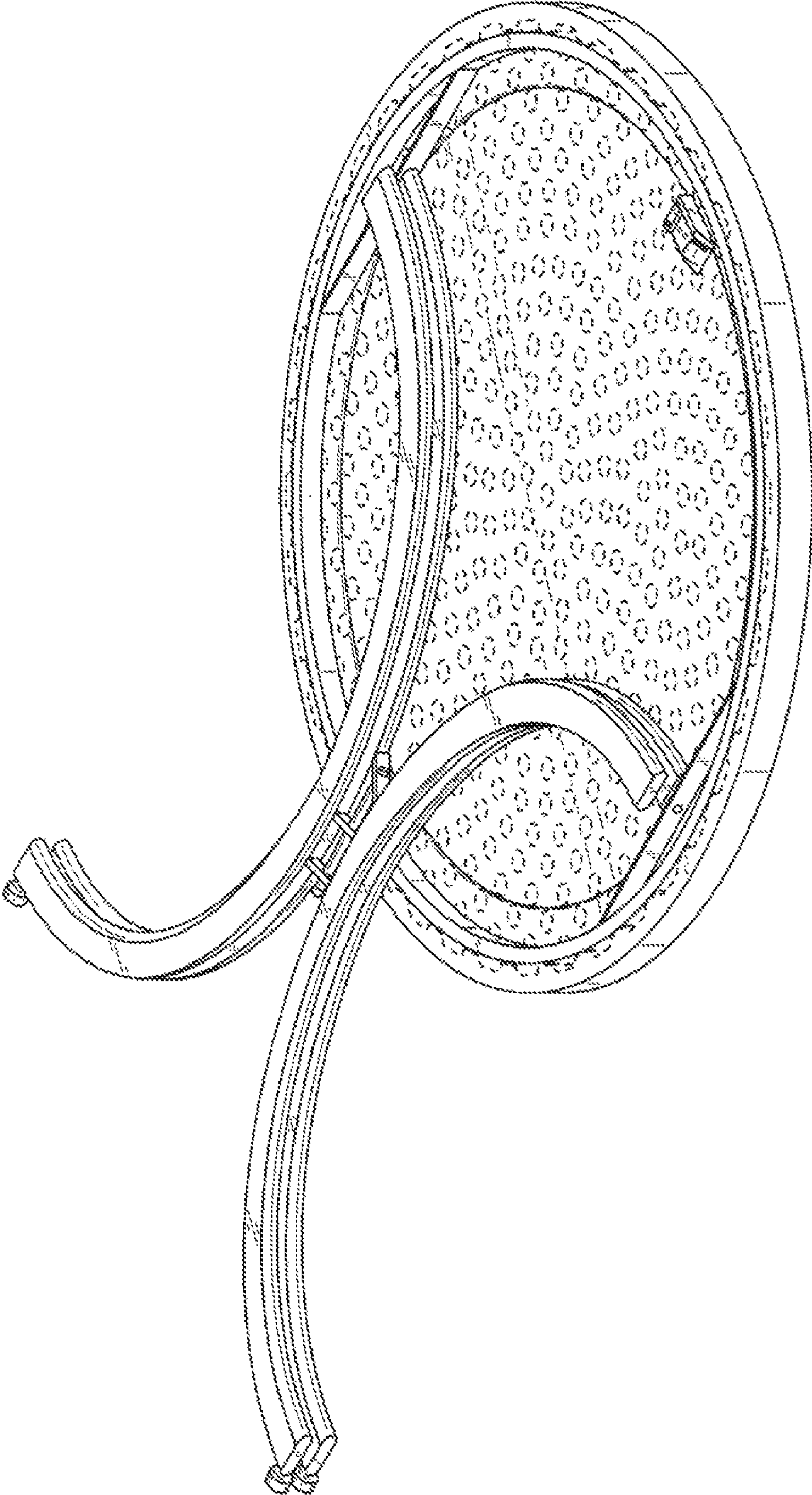


FIG. 10