



US00D629632S

(12) **United States Design Patent**
Mead et al.

(10) **Patent No.:** **US D629,632 S**
(45) **Date of Patent:** **** Dec. 28, 2010**

(54) **WORKSTATION**

(75) Inventors: **Karl J. Mead**, East Grand Rapids, MI (US); **Alan E. Rheault**, Grand Rapids, MI (US); **George K. Vangelatos**, Fair Oaks, CA (US)

(73) Assignee: **Steelcase Inc.**, Grand Rapids, MI (US)

(**) Term: **14 Years**

(21) Appl. No.: **29/363,624**

(22) Filed: **Jun. 11, 2010**

Related U.S. Application Data

(62) Division of application No. 29/335,628, filed on Apr. 17, 2009, now Pat. No. Des. 619,388.

(51) **LOC (9) Cl.** **06-03**

(52) **U.S. Cl.** **D6/482**

(58) **Field of Classification Search** D6/480-489,
D6/429-431, 511, 495, 496, 477, 426; 108/150,
108/151, 152, 153.1, 157.1, 161, 64, 66;
248/188, 188.1, 188.8

See application file for complete search history.

(56) **References Cited**

U.S. PATENT DOCUMENTS

D166,377 S *	4/1952	Curtis	D6/477
D175,651 S	9/1955	Schwartz		
D278,583 S	4/1985	Koguma		
D279,740 S	7/1985	Slager		
D305,585 S	1/1990	Wright		
D318,966 S *	8/1991	Schroff et al.	D6/474
5,224,429 A	7/1993	Borgman et al.		
5,323,695 A	6/1994	Borgman et al.		
5,394,809 A	3/1995	Feldpausch et al.		
D371,699 S	7/1996	Muller-Deisig et al.		
D372,817 S *	8/1996	Stevens	D6/474
D377,873 S	2/1997	Flototto		

5,609,112 A	3/1997	Meyer et al.		
5,752,449 A	5/1998	Simon et al.		
5,842,425 A	12/1998	Van Der Aa		
D408,652 S	4/1999	Muller		
5,901,513 A	5/1999	Mollenkopf et al.		
5,911,178 A	6/1999	Alexander		
D414,350 S *	9/1999	Fear et al.	D6/426
5,947,569 A	9/1999	Rheault et al.		
5,974,985 A	11/1999	Flototto et al.		
D422,429 S	4/2000	Belka et al.		

(Continued)

Primary Examiner—Janice E Seeger

(74) *Attorney, Agent, or Firm*—Price, Heneveld, Cooper, DeWitt & Litton, LLP

(57) **CLAIM**

I claim the ornamental design for a workstation, as shown.

DESCRIPTION

FIG. 1 is a perspective view of a top and a front of a workstation;

FIG. 2 is front elevational view of a workstation;

FIG. 3 is a rear elevational view of a workstation;

FIG. 4 is a right side elevational view of a workstation;

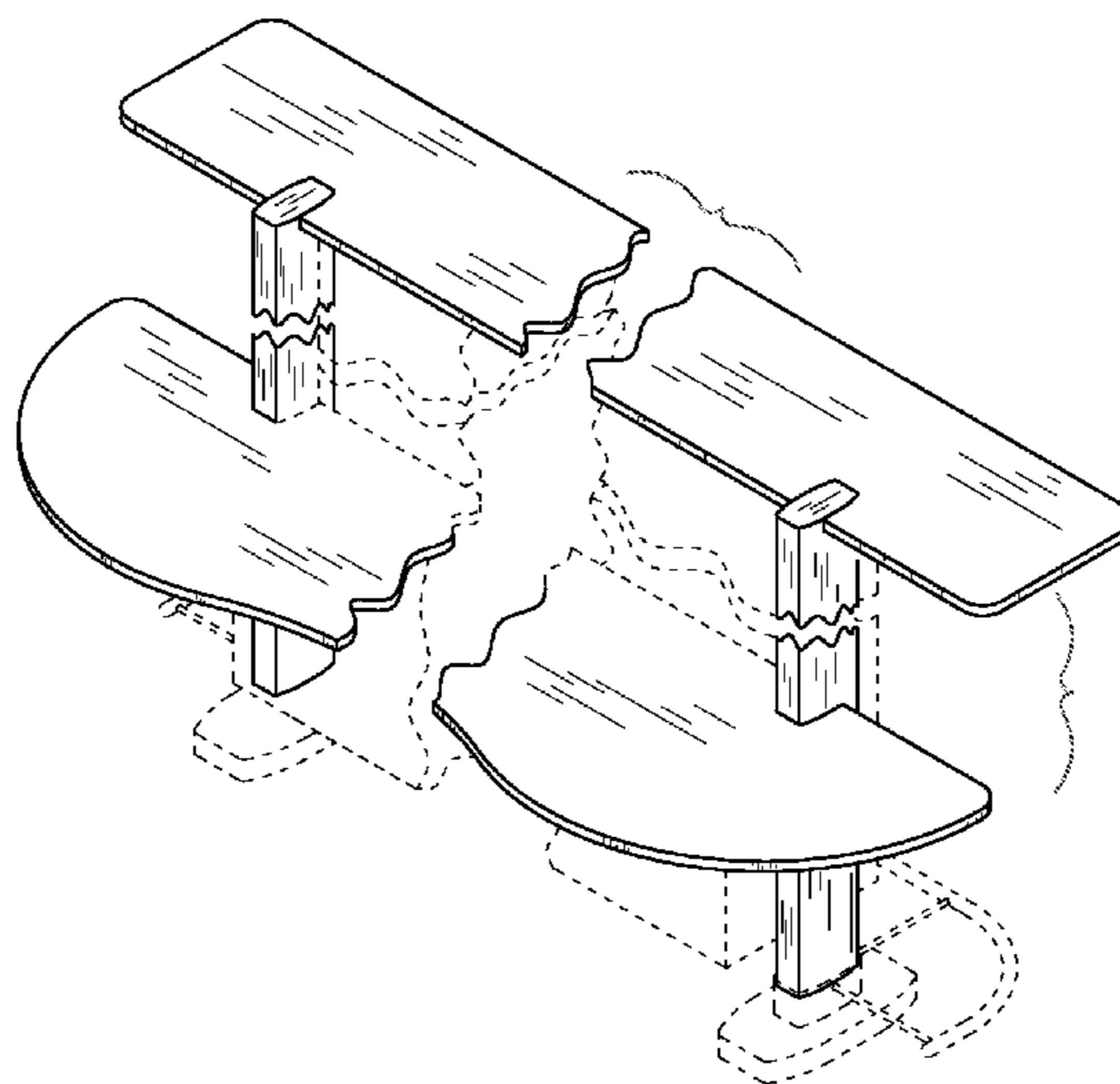
FIG. 5 is a left side elevational view of a workstation;

FIG. 6 is a top plan view of a workstation; and,

FIG. 7 is a bottom plan view of a workstation.

The dashed lines and broken lines are for purposes of illustrating environmental structure and form no part of the claimed design.

1 Claim, 3 Drawing Sheets



US D629,632 S

Page 2

U.S. PATENT DOCUMENTS					
6,101,954	A	8/2000 Rein et al.	D528,822	S *	9/2006 Newhouse D6/429
6,145,448	A	11/2000 Marschand et al.	D530,546	S *	10/2006 Muller D6/482
6,161,487	A	12/2000 Chang	D547,971	S	8/2007 Lachance et al.
6,267,064	B1	7/2001 Ostertag et al.	7,278,360	B2	10/2007 Griepentrog
6,283,043	B1	9/2001 Stern et al.	D562,028	S *	2/2008 Loeb D6/423
6,286,441	B1	9/2001 Burdi et al.	7,357,086	B2	4/2008 Petrick et al.
6,374,548	B1	4/2002 Ruedinger et al.	D569,142	S	5/2008 Burak
D489,562	S *	5/2004 Kwok D6/629	D619,388	S *	7/2010 Mead et al. D6/482
6,732,660	B2	5/2004 Dame et al.	D619,389	S *	7/2010 Mead et al. D6/482
D496,536	S	9/2004 Chang	2005/0248239	A1 *	11/2005 Newhouse et al. 312/194
7,036,438	B2	5/2006 Okamoto et al.	2007/0068429	A1	3/2007 Frazier

* cited by examiner

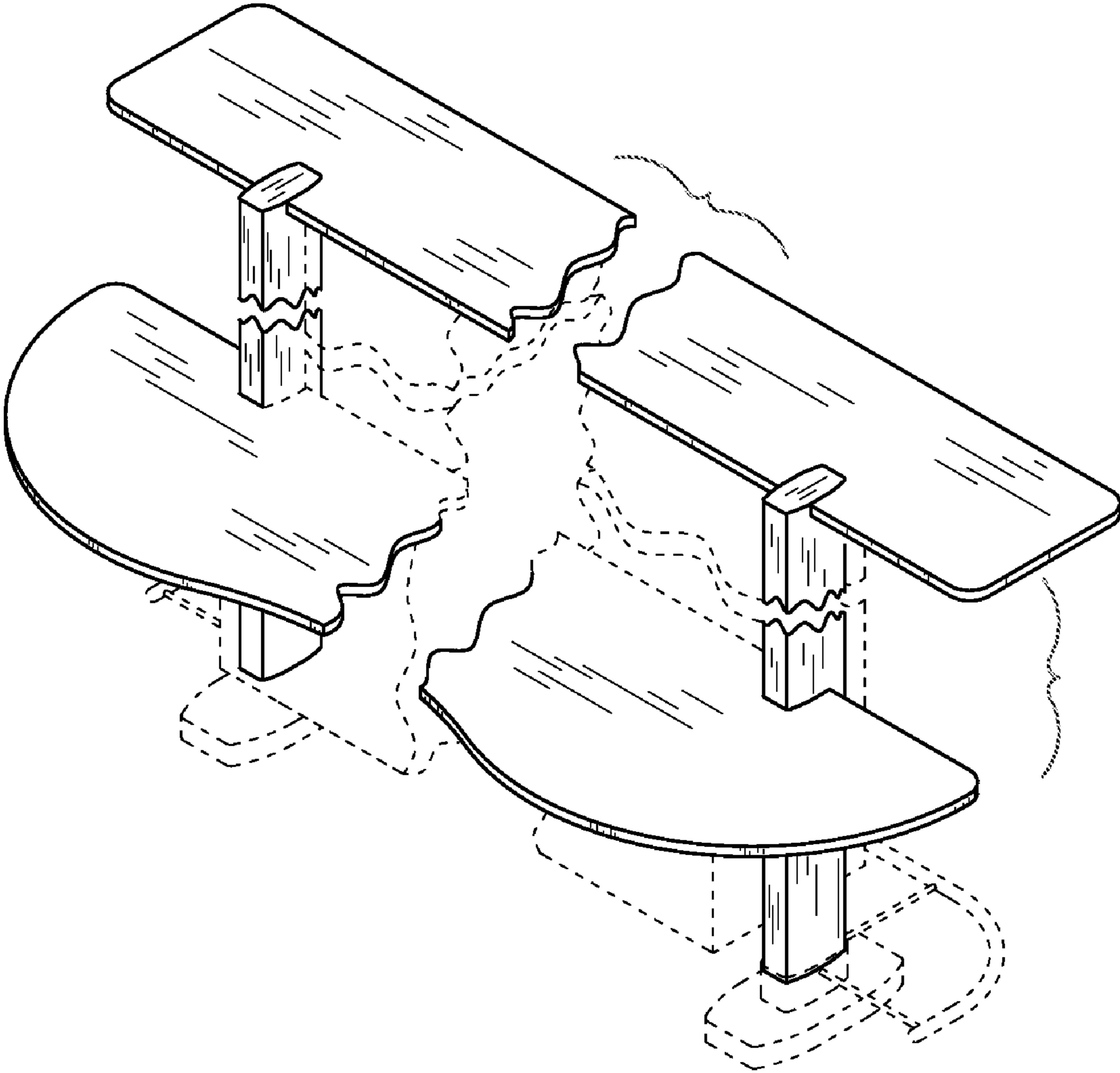


FIG. 1

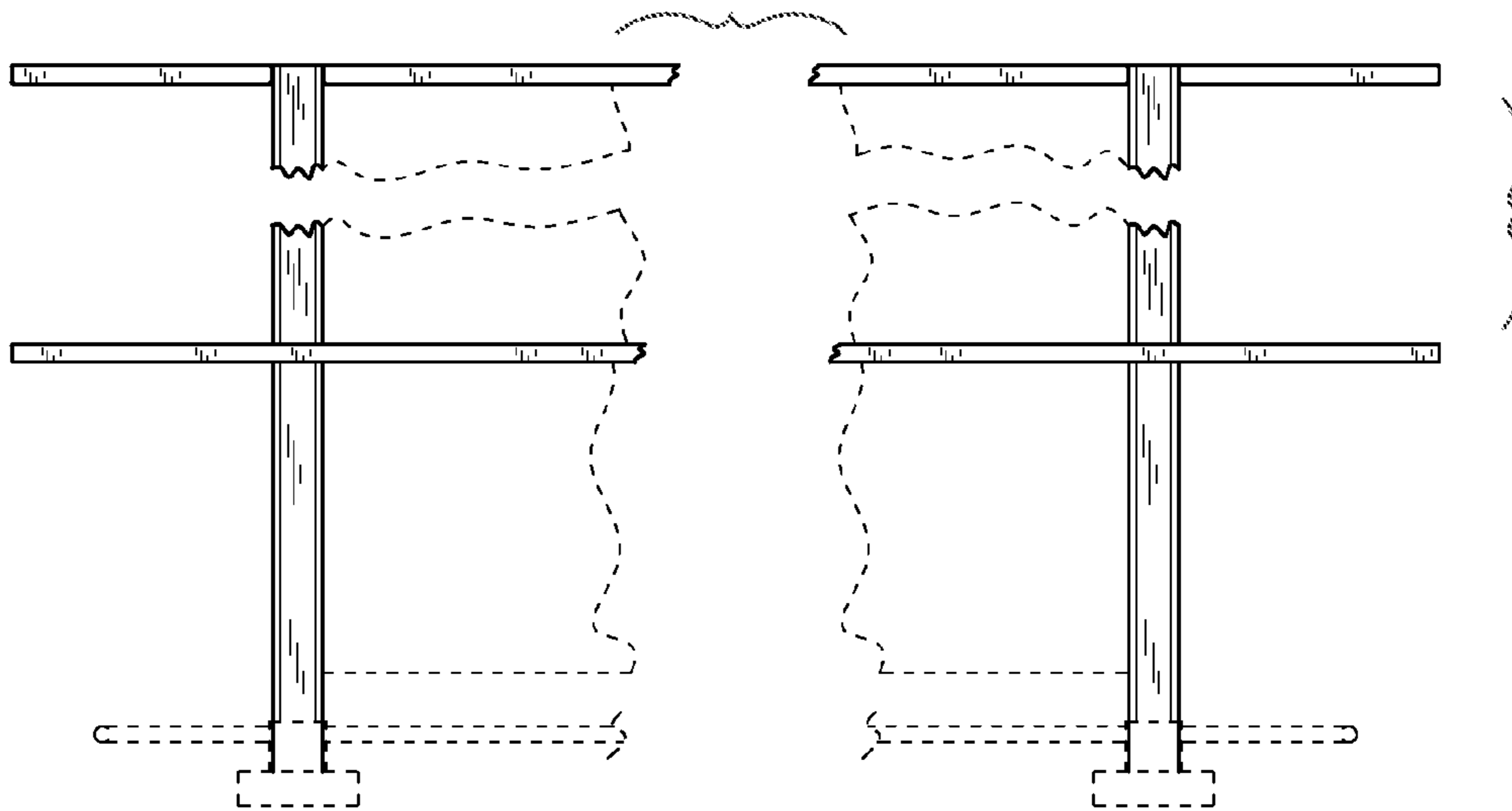


FIG. 2

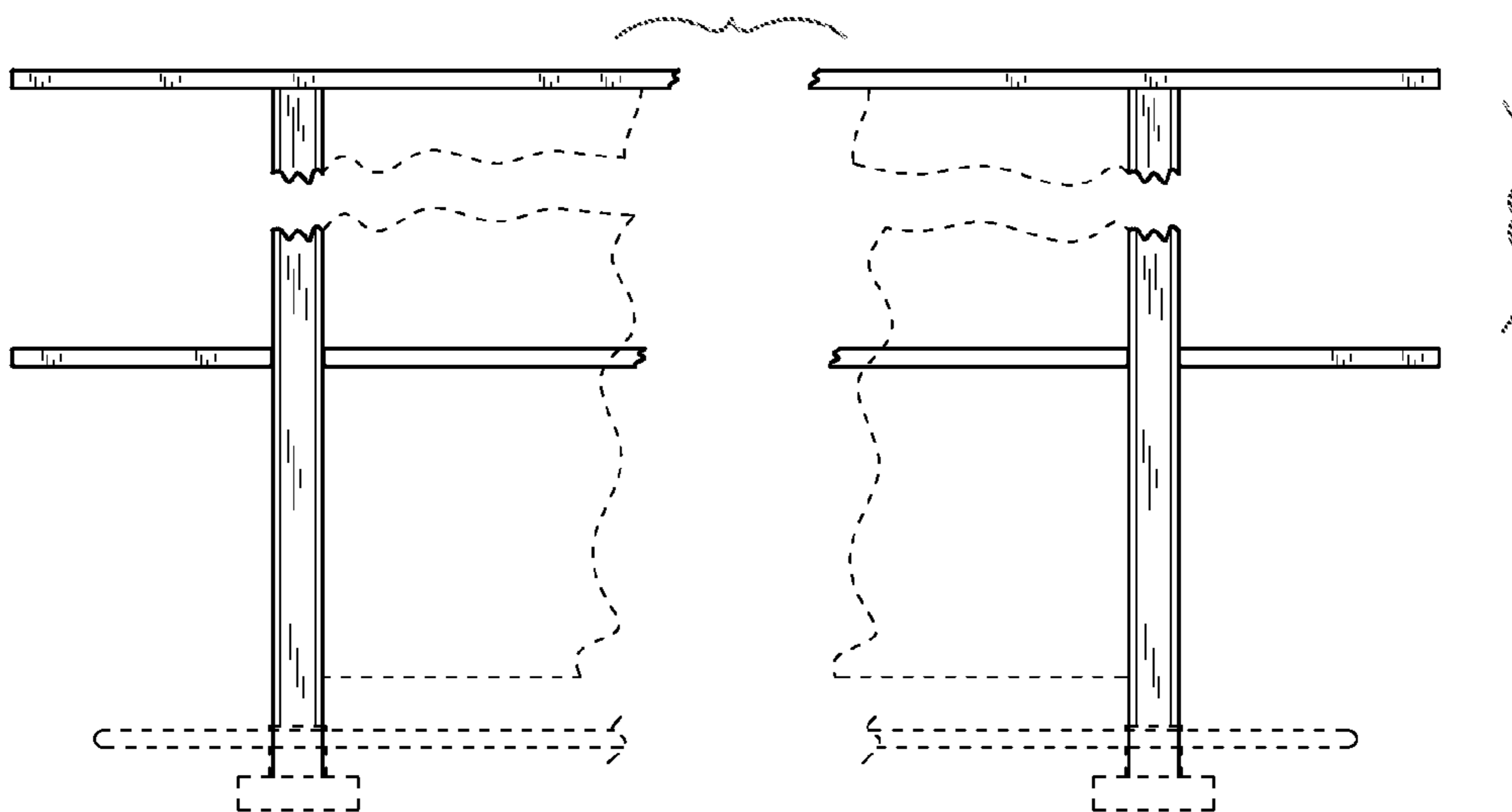


FIG. 3

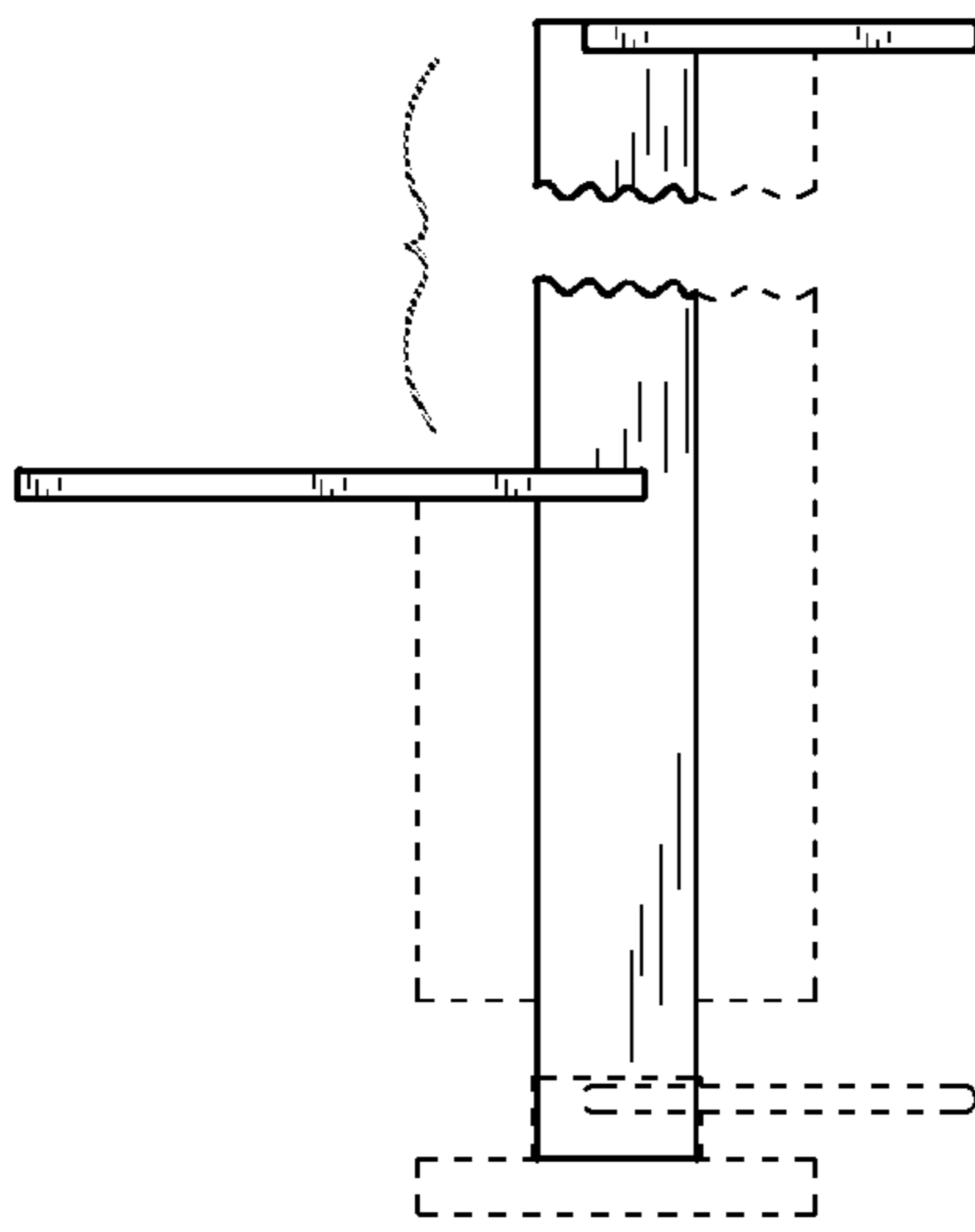


FIG. 4

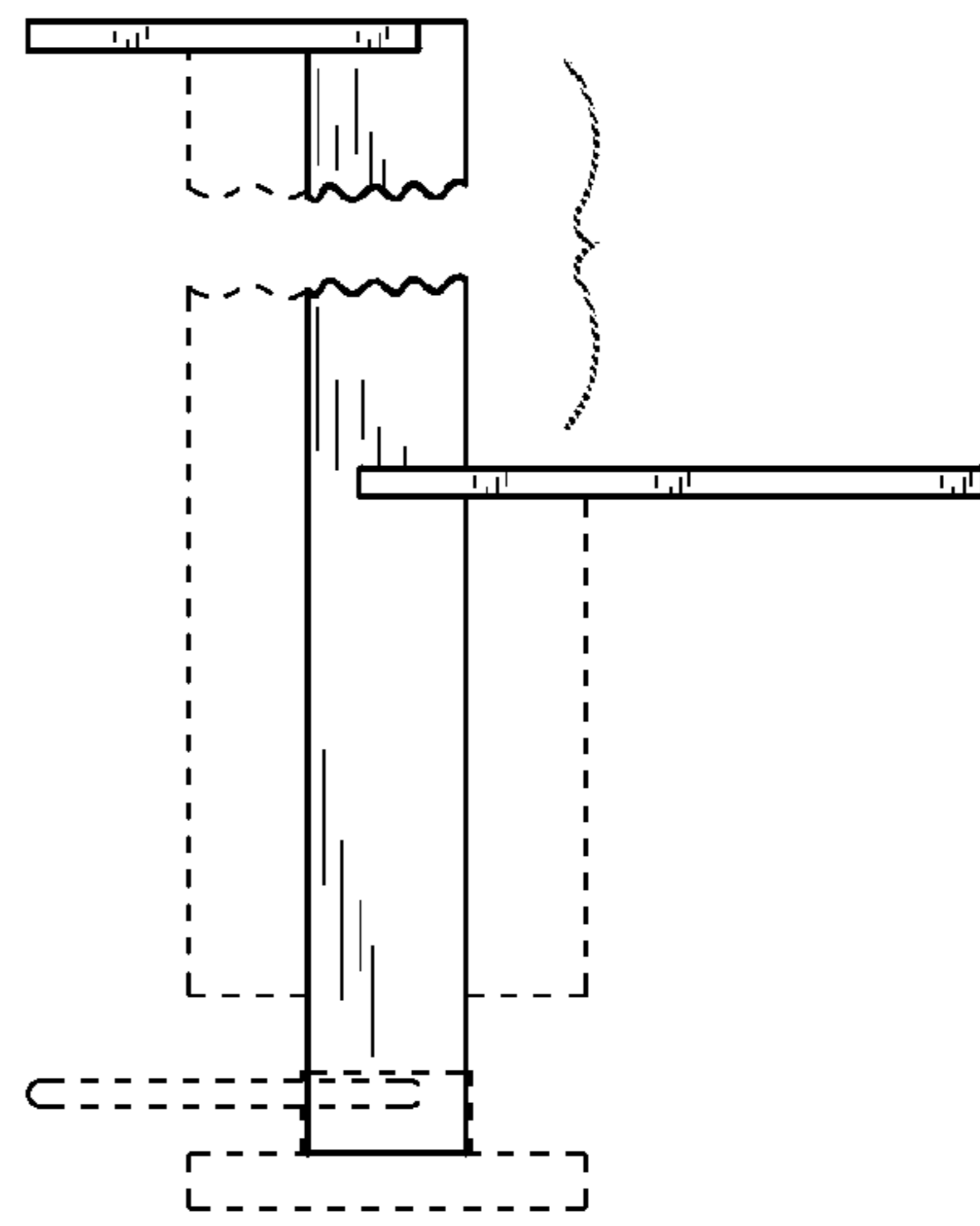


FIG. 5

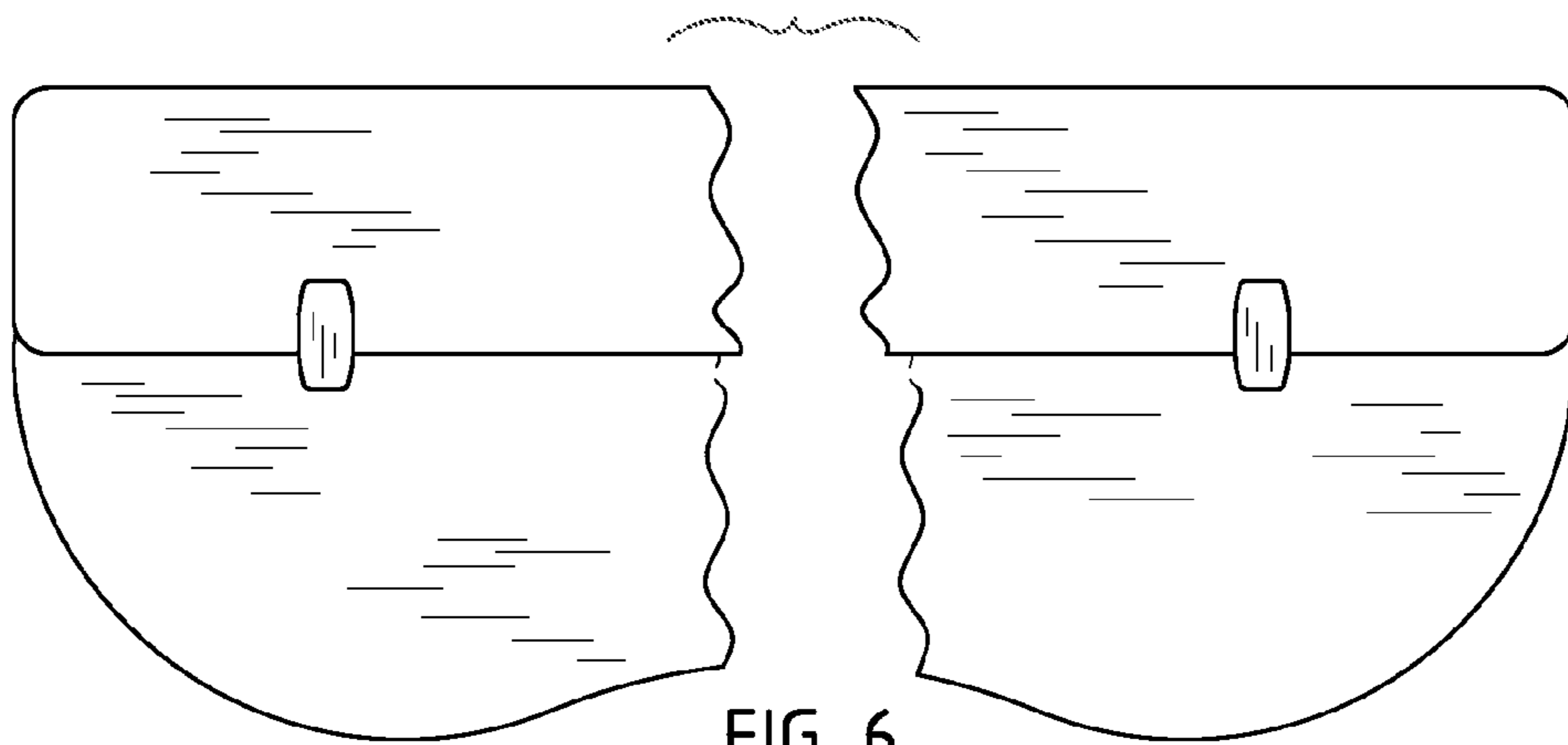


FIG. 6

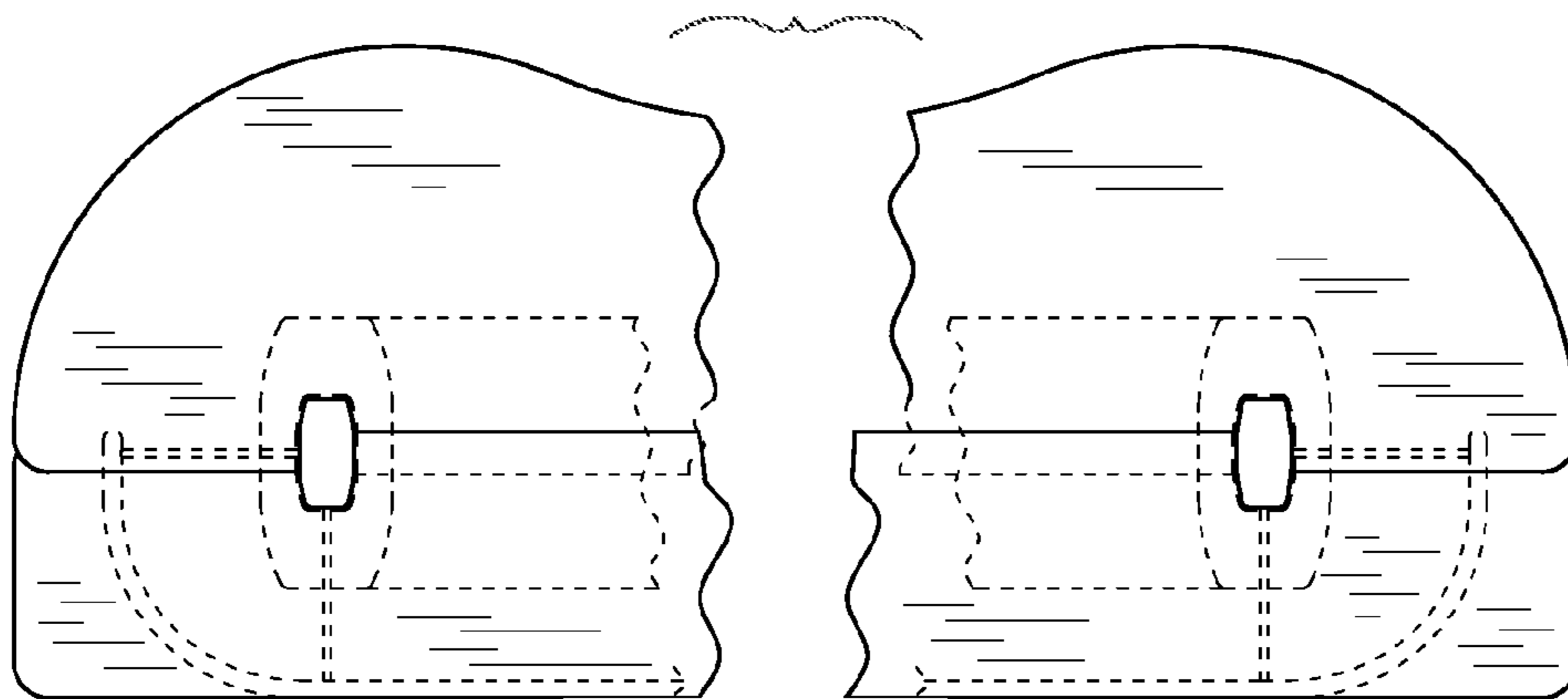


FIG. 7