

US00D629631S

(12) **United States Design Patent**  
**Britigan**

(10) **Patent No.:** **US D629,631 S**

(45) **Date of Patent:** **\*\* Dec. 28, 2010**

(54) **FLORAL DESIGN APPARATUS**

**DESCRIPTION**

(76) Inventor: **Marcy Britigan**, MEI, P.O. Box 1322,  
LaGrange Park, IL (US) 60526

(\*\*) Term: **14 Years**

(21) Appl. No.: **29/312,073**

(22) Filed: **Sep. 29, 2008**

(51) **LOC (9) Cl.** ..... **11-02**

(52) **U.S. Cl.** ..... **D6/405**

(58) **Field of Classification Search** ..... D6/403-405,  
D6/556-558; D8/1; D11/143-145, 148;  
D25/100; D34/5, 6; D99/19; 47/39, 42-47,  
47/67, 68, 71

See application file for complete search history.

(56) **References Cited**

**U.S. PATENT DOCUMENTS**

D237,443 S *	11/1975	Kraus	.....	D6/404
D245,407 S *	8/1977	Ware	.....	D11/144
D254,886 S *	5/1980	Haines	.....	D6/405
D275,535 S *	9/1984	Kola	.....	D6/405
D315,260 S *	3/1991	Kelly	.....	D6/405
D330,812 S *	11/1992	Johnson	.....	D6/405
D463,159 S *	9/2002	Waggoner	.....	D6/403
D465,349 S *	11/2002	Sharpton, III	.....	D6/405
D468,554 S *	1/2003	Tribull, Jr.	.....	D6/404
D538,058 S *	3/2007	Van Es	.....	D6/405
D545,506 S *	6/2007	Wang	.....	D6/405

\* cited by examiner

*Primary Examiner*—Garth Rademaker

(74) *Attorney, Agent, or Firm*—William B. Ritchie

(57) **CLAIM**

The ornamental design for a floral display apparatus, as shown and described.

FIG. 1 is a perspective view of a floral display apparatus, shown in an opened position, in accordance with the new design;

FIG. 2 is a front elevation view thereof, shown in a closed position;

FIG. 3 is a front elevation view thereof, shown in an opened position;

FIG. 4 is a perspective view of the removable cover that may be used for one or more of the tabletops thereof;

FIG. 5 is a front elevation view of the removable tabletop cover thereof;

FIG. 6 is a front elevation view of the floral display apparatus, shown in a partially opened position with the removable wire sign holder removed, including the cover that is shown in a closed position.

FIG. 7 is a partial front elevation view of one of the tabletops thereof, shown at an enlarged scale, including the cover that is shown in a closed position.

FIG. 8 is a partial front elevation view thereof shown at an enlarged scale, including the cover that is shown in an opened position;

FIG. 9 is a side elevation thereof, shown in a closed position;

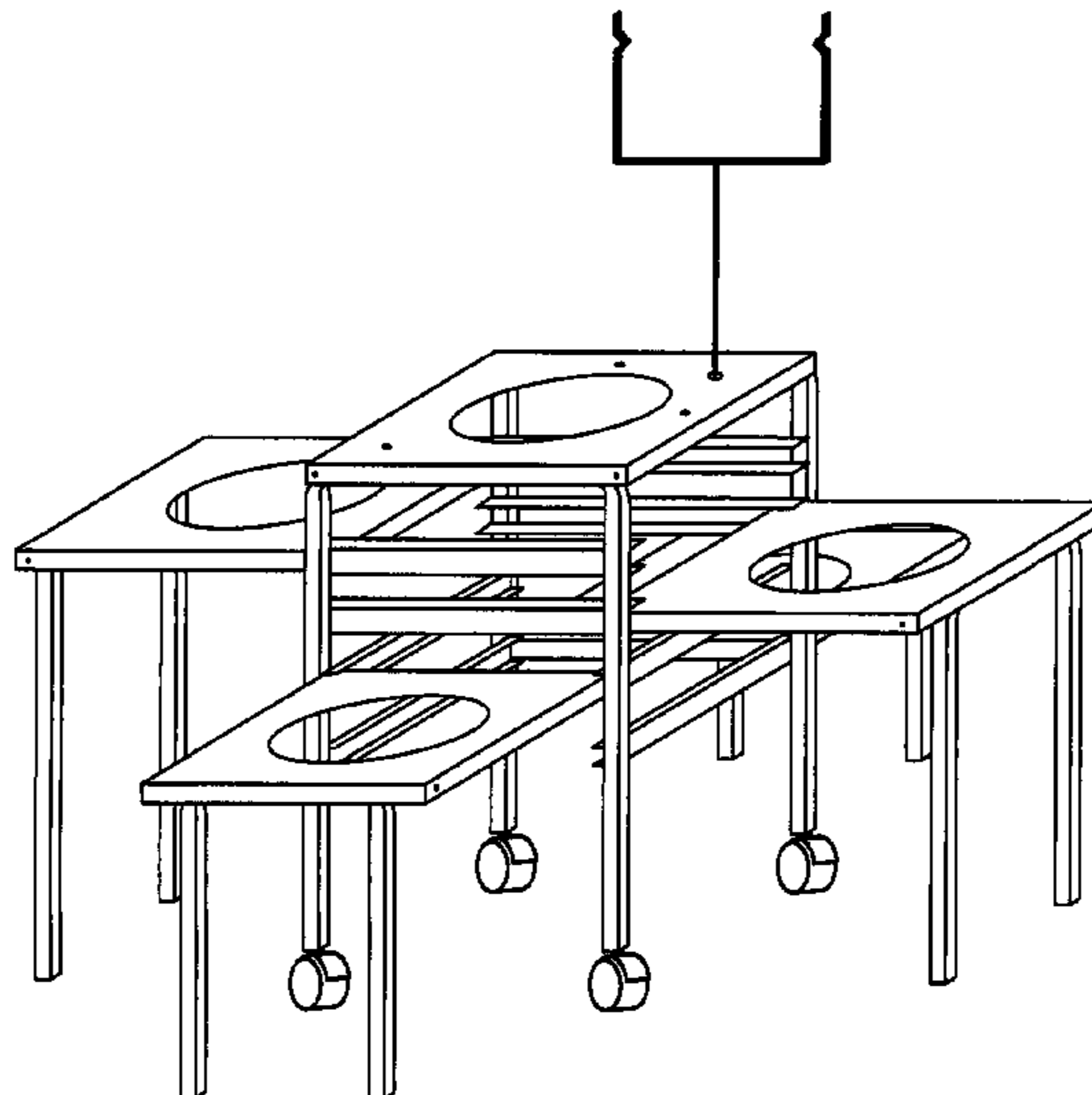
FIG. 10 is a side elevation view thereof, shown in an opened position;

FIG. 11 is a top plan view thereof, shown in a closed position with the removable wire sign holder removed; and,

FIG. 12 is a top plan view thereof, shown in an opened position with the removable wire sign holder removed.

The removable wire sign holder and removable tabletop cover form part of the claimed design but have not been shown in all views for ease of disclosure.

**1 Claim, 5 Drawing Sheets**



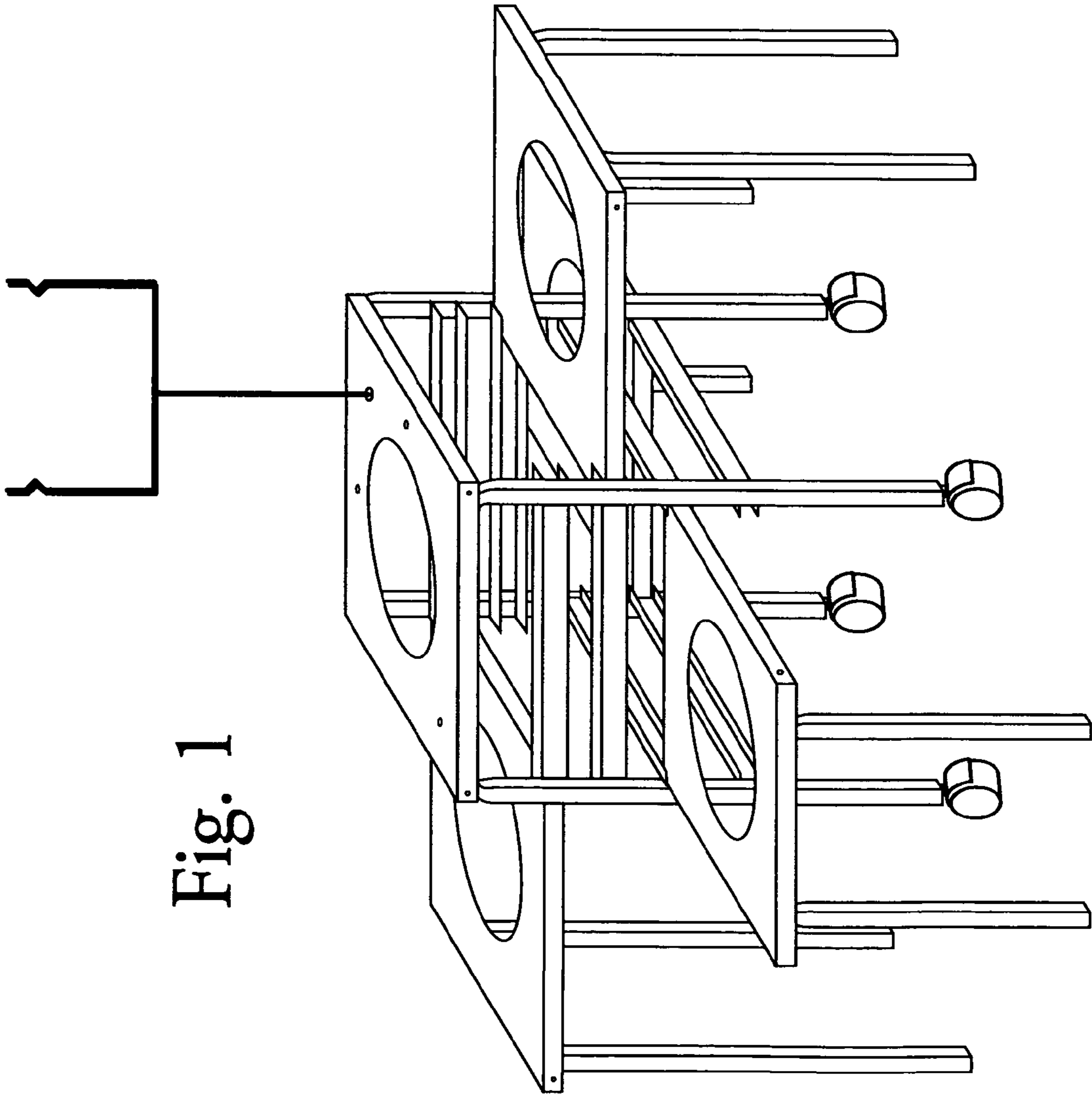


Fig. 1

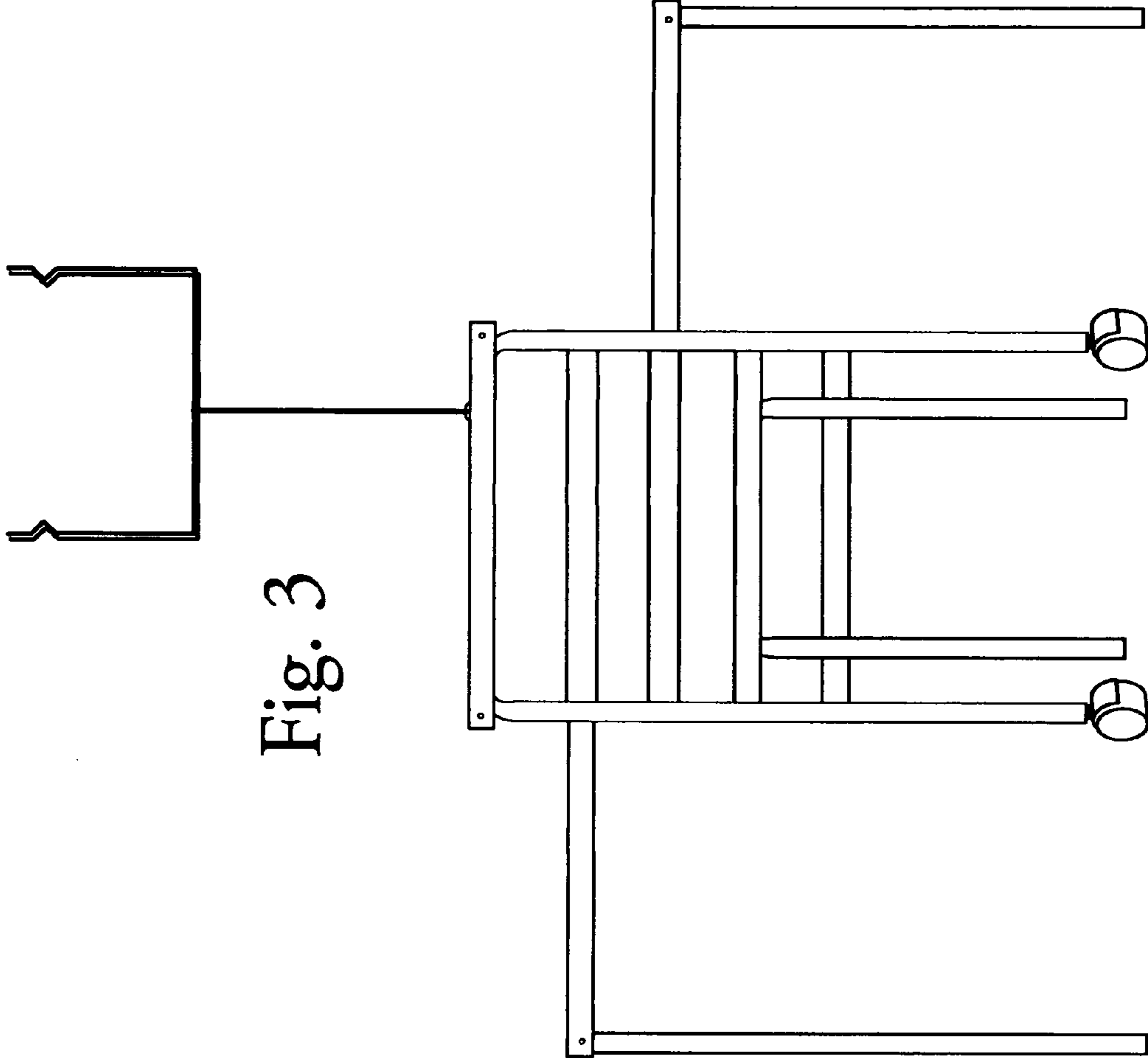


Fig. 3

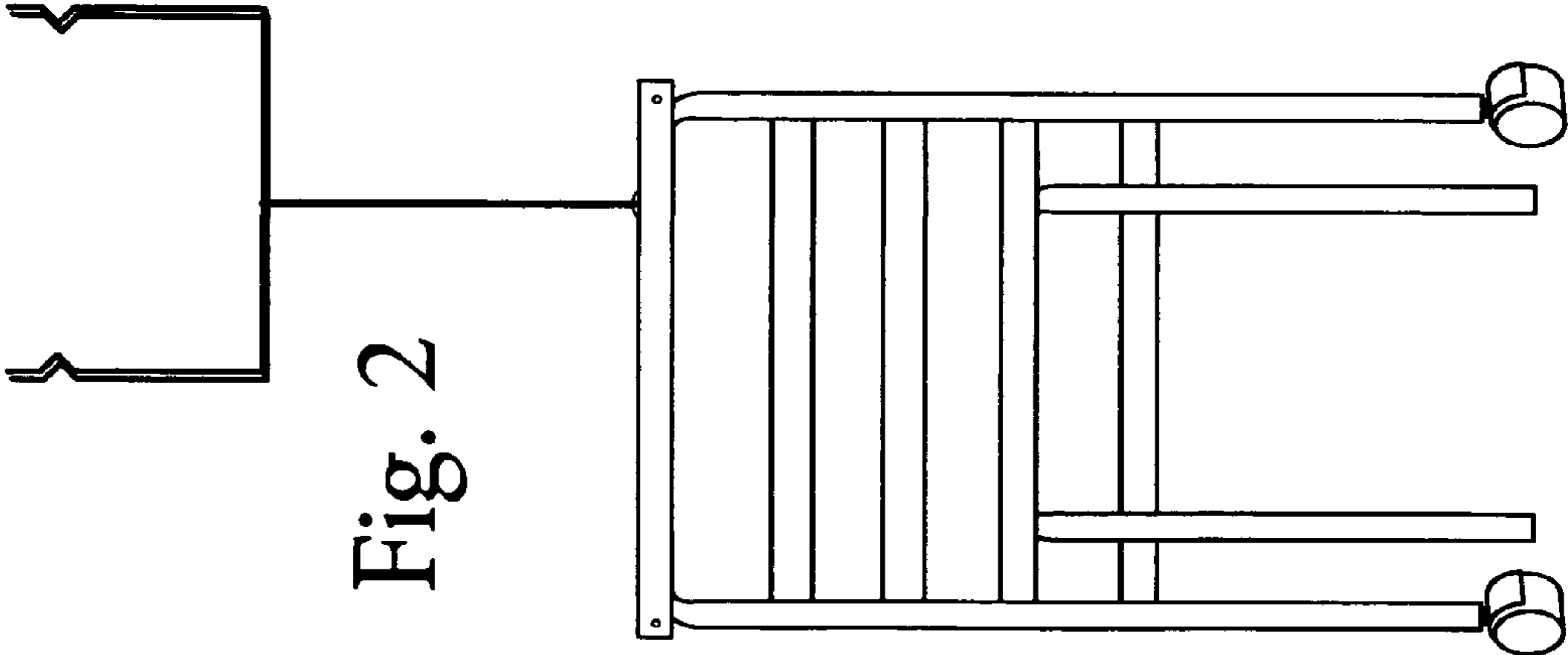
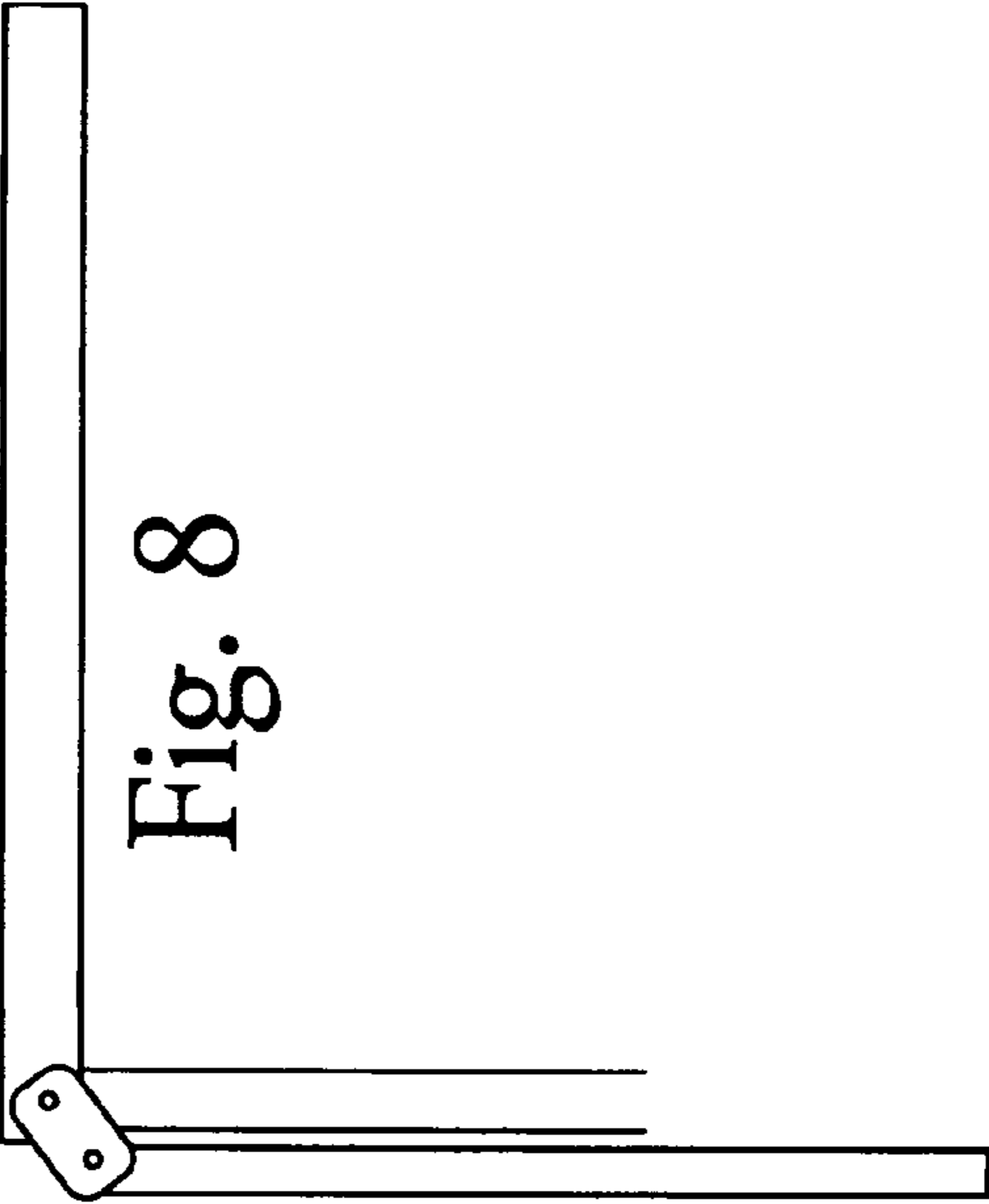
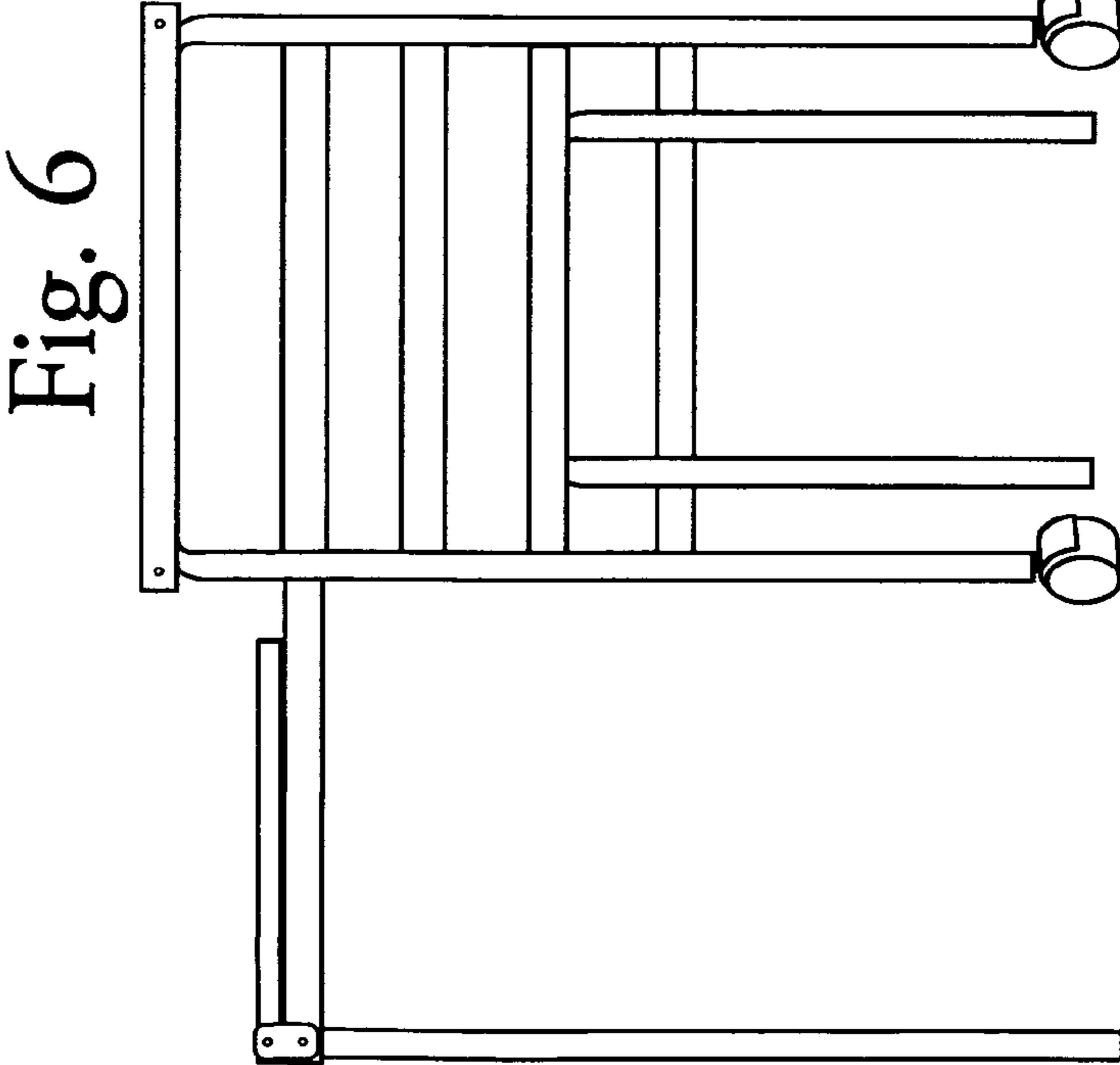
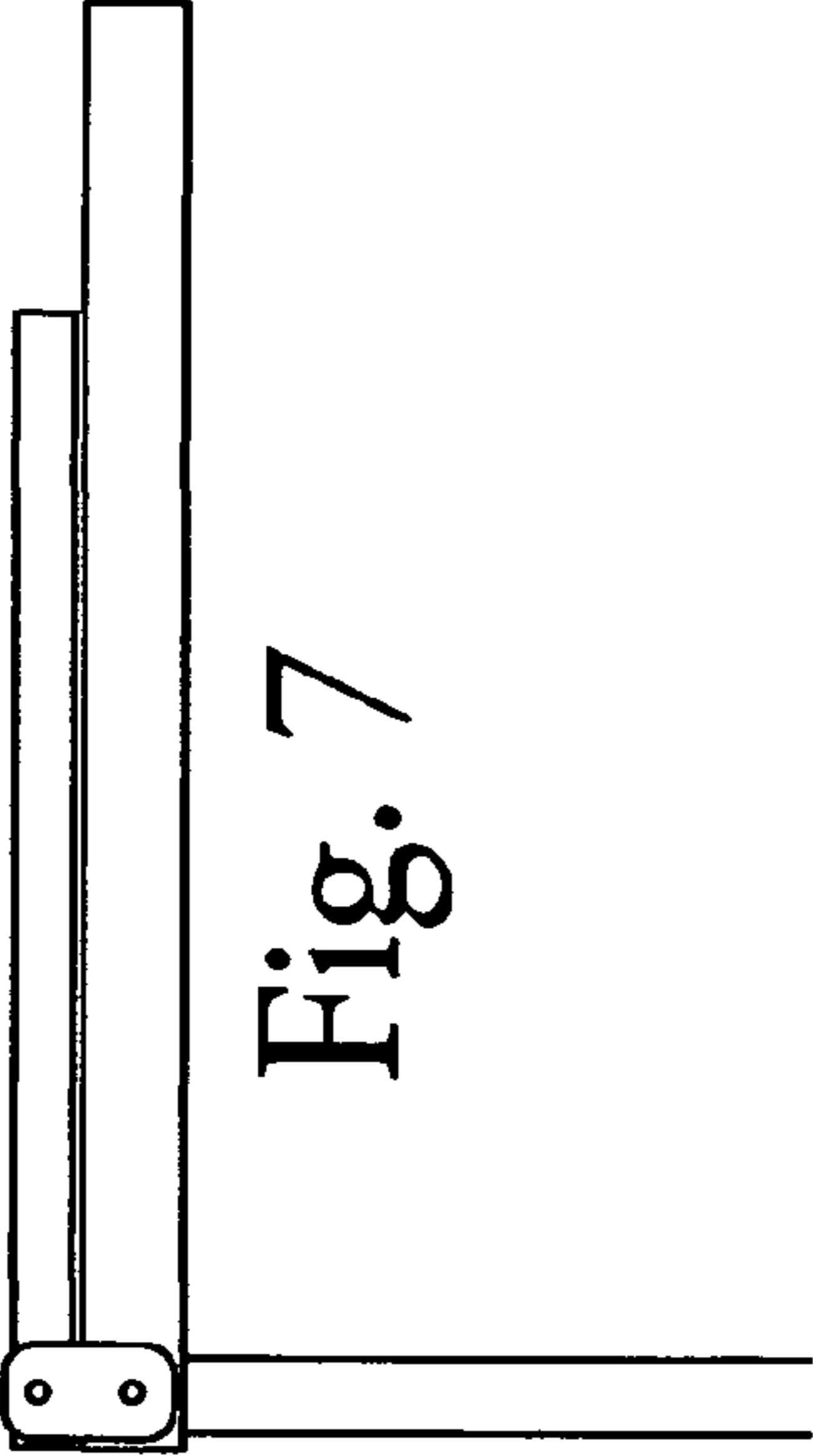
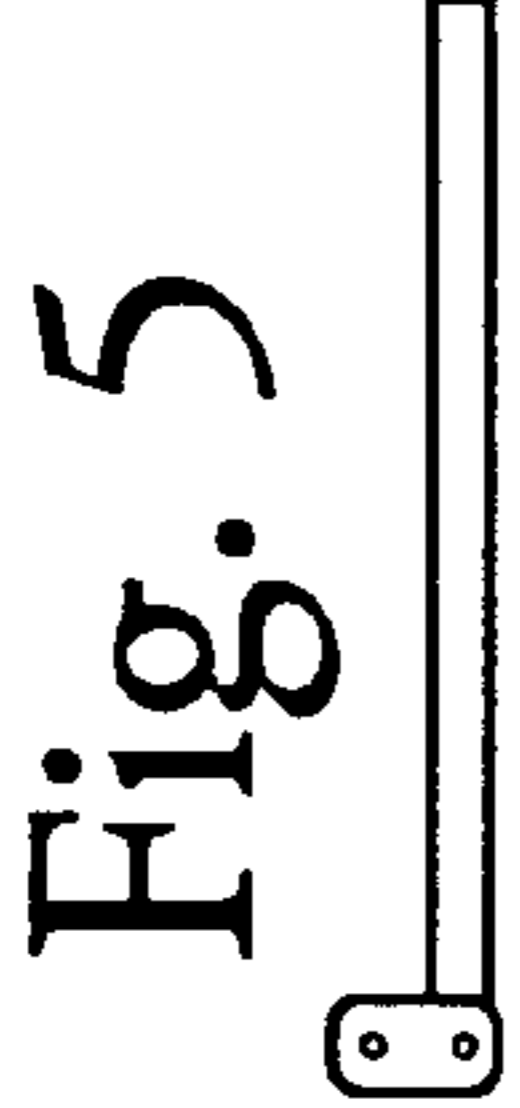
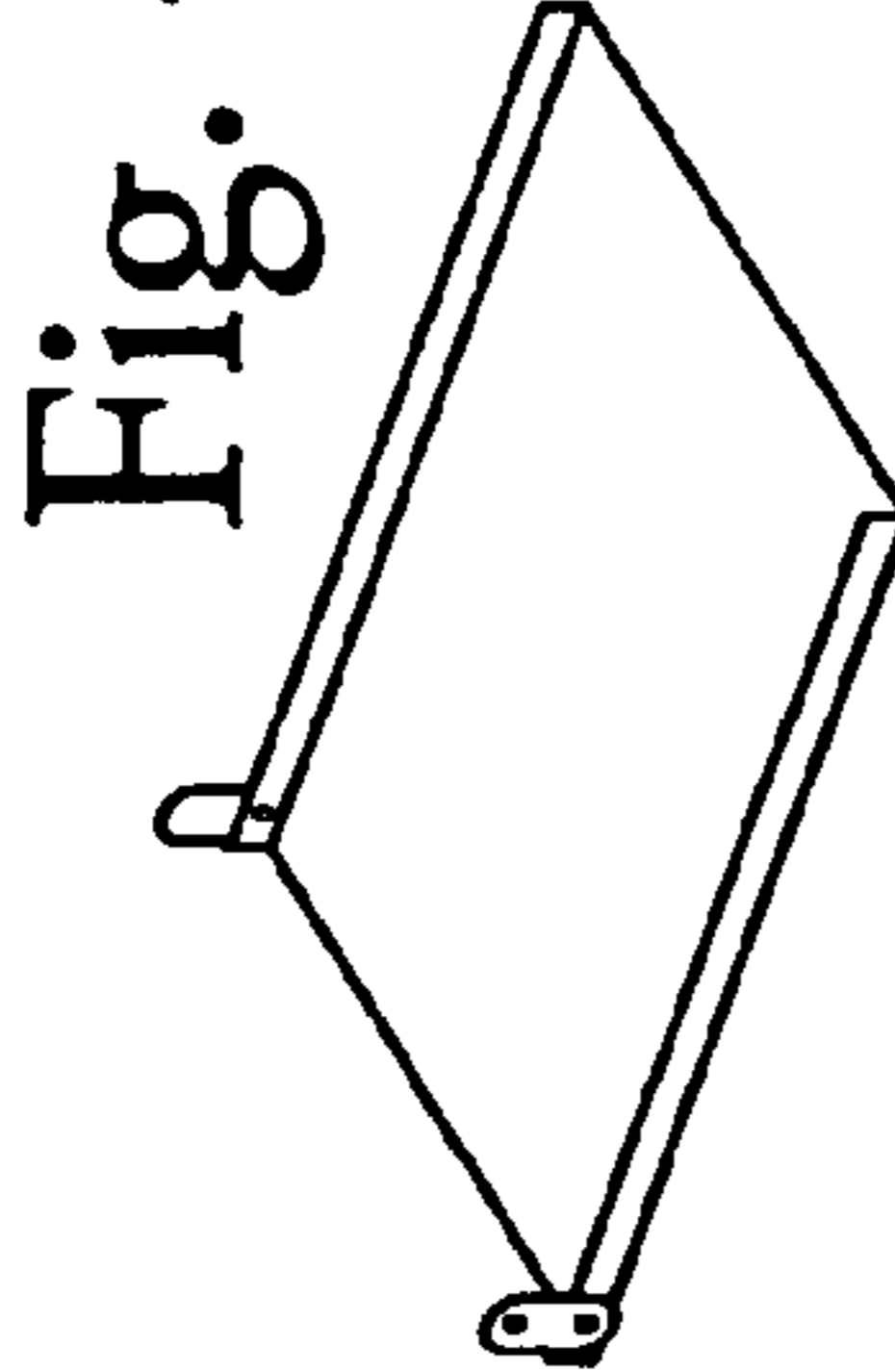


Fig. 2



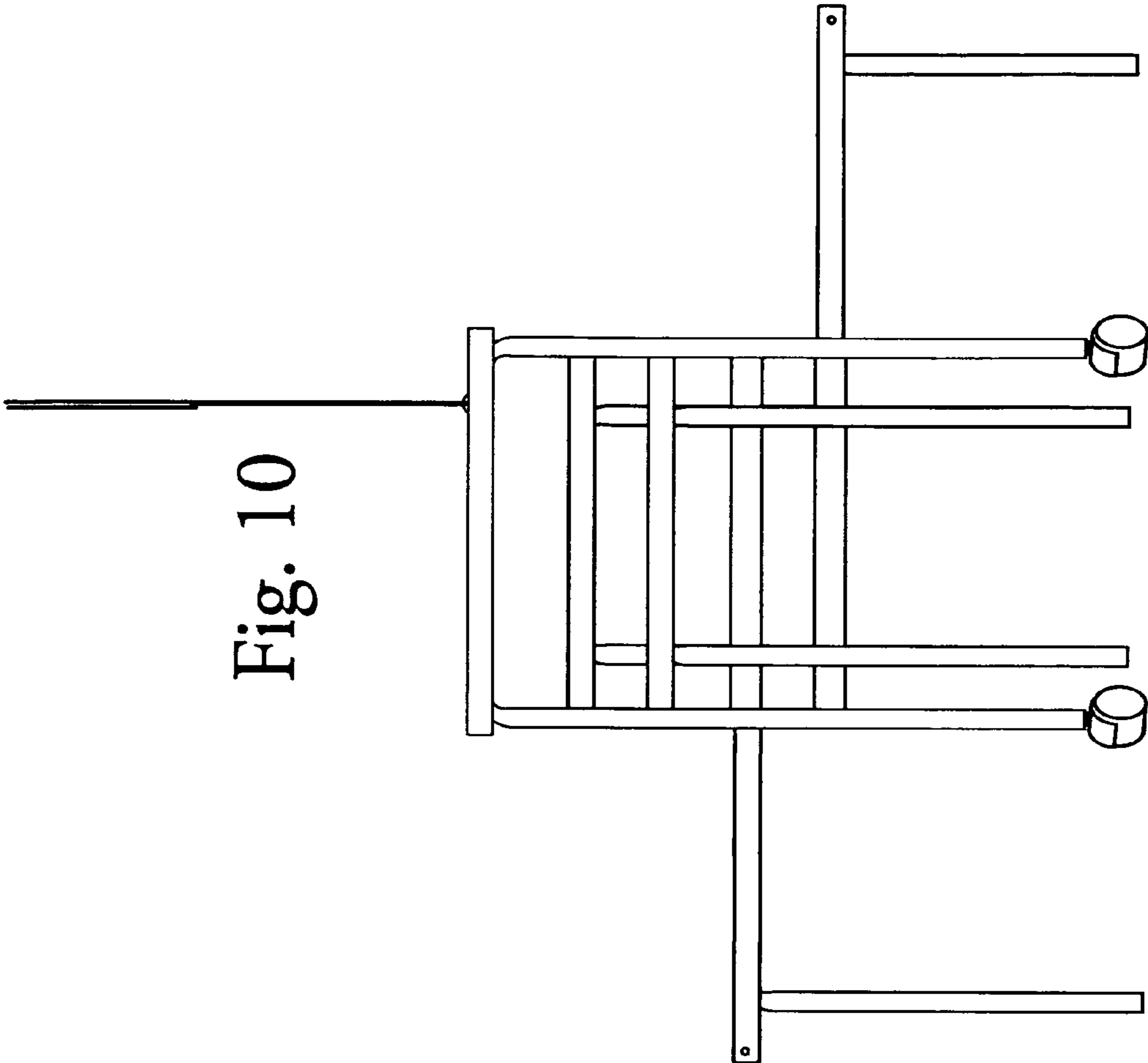


Fig. 10

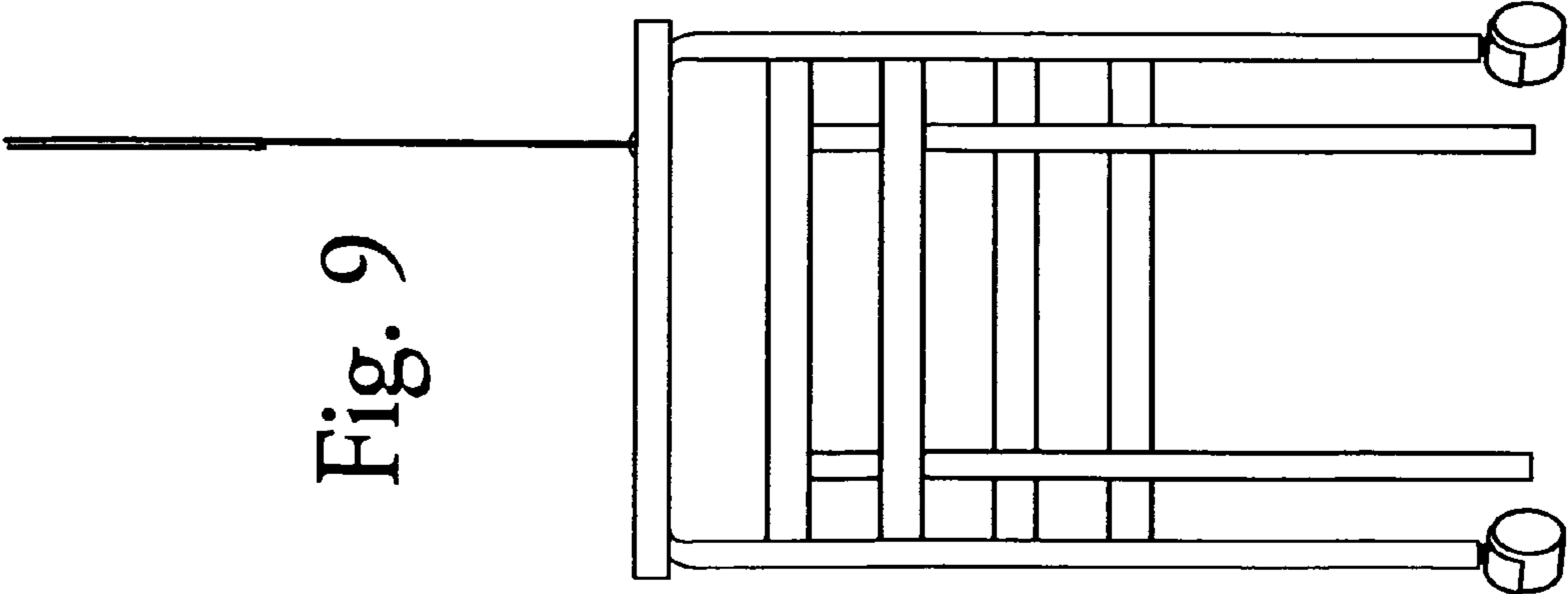


Fig. 9

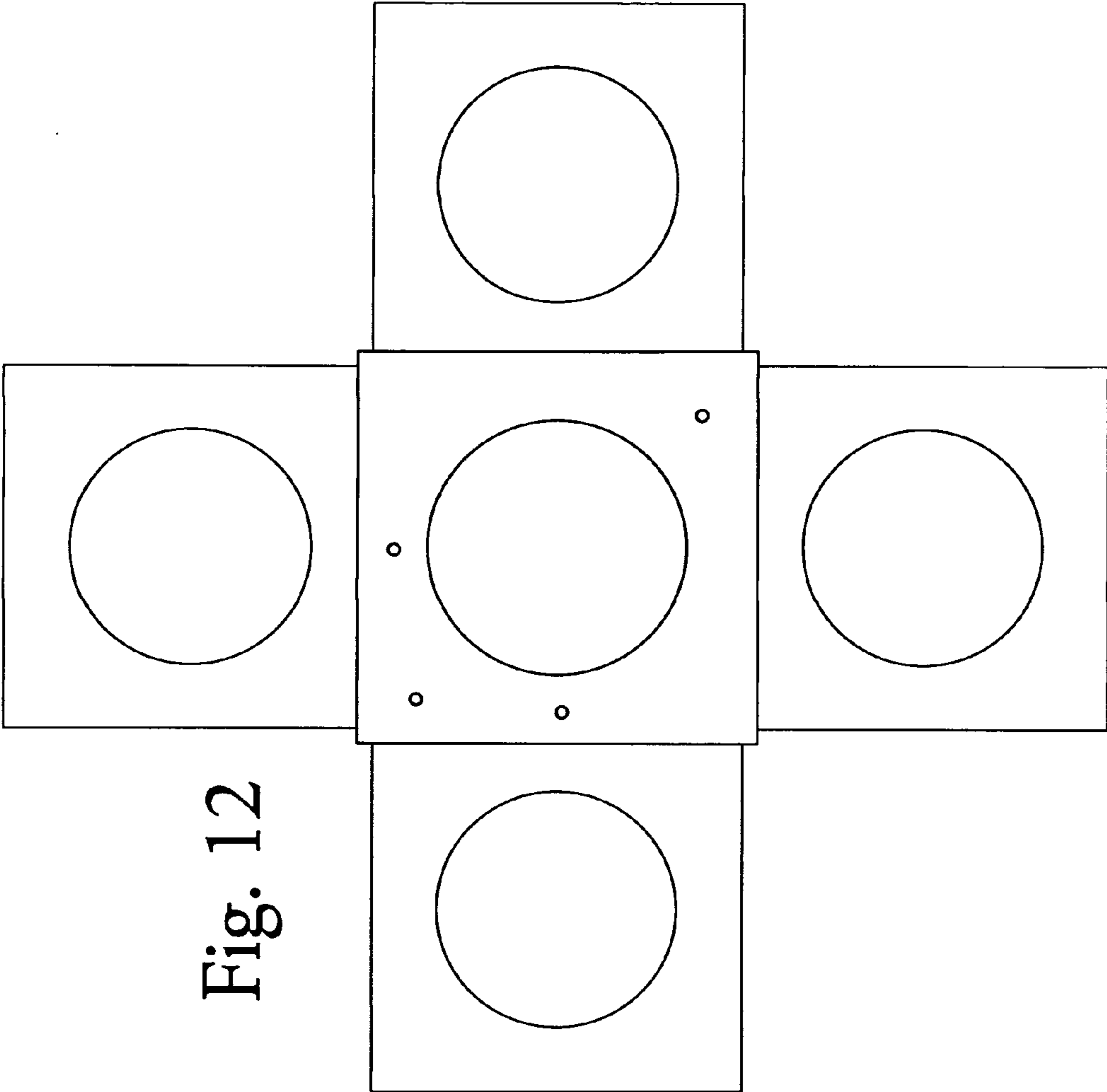


Fig. 11

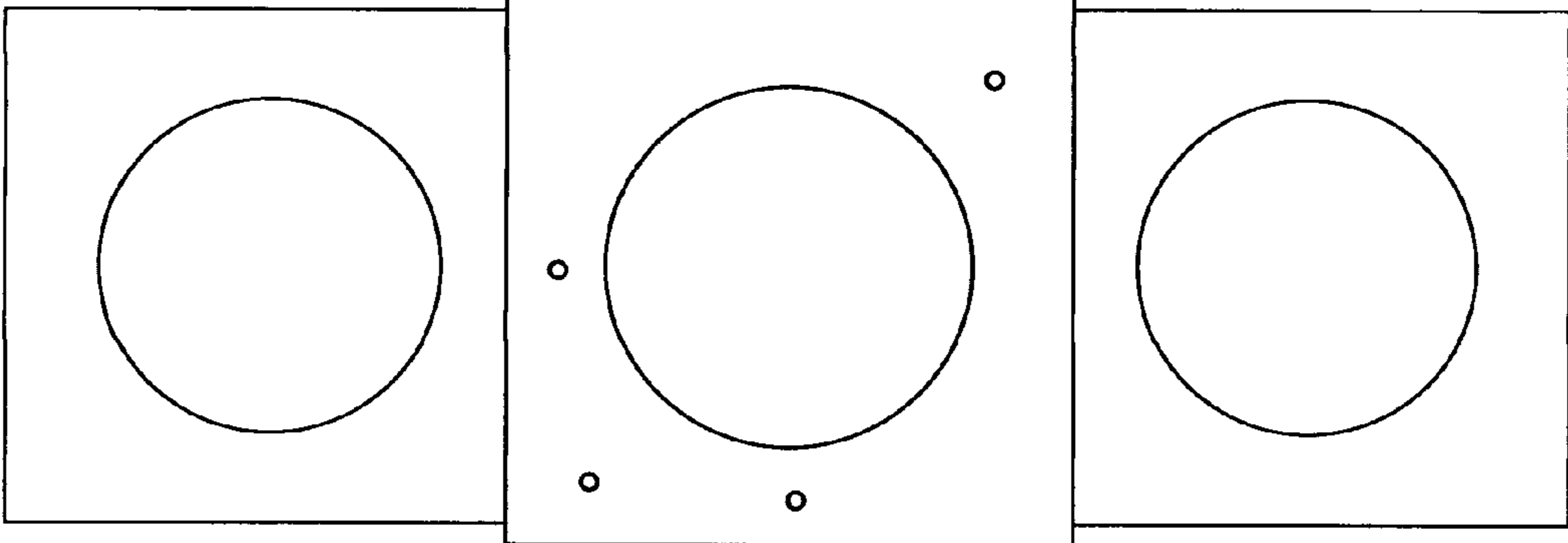


Fig. 12