



US00D629630S

(12) **United States Design Patent**
Saul

(10) **Patent No.:** **US D629,630 S**
(45) **Date of Patent:** **** Dec. 28, 2010**

(54) **CHAIR**

- (75) Inventor: **Gregory M. Saul**, Charlotte, NC (US)
- (73) Assignee: **Michigan Tube Swager & Fabricators, Inc.**, Temperance, MI (US)
- (**) Term: **14 Years**
- (21) Appl. No.: **29/336,986**
- (22) Filed: **May 13, 2009**
- (51) **LOC (9) Cl.** **06-01**
- (52) **U.S. Cl.** **D6/380**
- (58) **Field of Classification Search** D6/380,
D6/374, 368, 334, 375, 379, 500-502; 297/239,
297/445.1, 16.1, 55-56, 58-59, 183.1
See application file for complete search history.

(56) **References Cited**

U.S. PATENT DOCUMENTS

- 4,400,031 A * 8/1983 DeDecker 297/239
- D297,890 S * 10/1988 Hockenberry et al. D6/367
- D355,985 S * 3/1995 Karten et al. D6/374
- D433,836 S * 11/2000 Barile, Sr. D6/380
- D439,069 S * 3/2001 Turner et al. D6/380

(Continued)

Primary Examiner—Elizabeth A Albert
Assistant Examiner—Kelley A Donnelly
 (74) *Attorney, Agent, or Firm*—Gifford, Krass, Sprinkle,
 Anderson & Citkowski, P.C.

(57) **CLAIM**

The ornamental design for a chair, as shown and described.

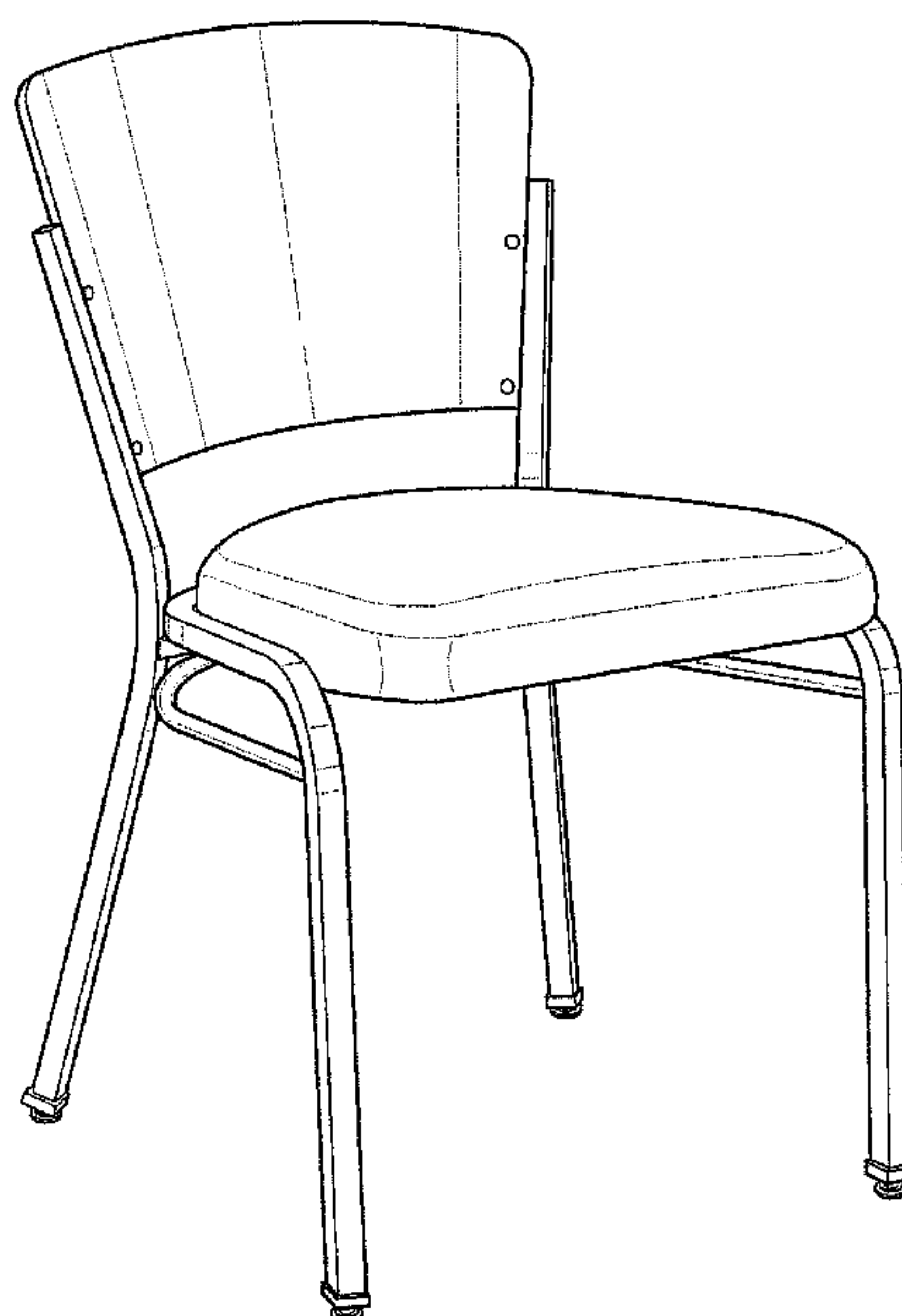
DESCRIPTION

FIG. 1 is a perspective view of a chair according to a first embodiment of the present invention;

FIG. 2 is a front elevational view of the chair of FIG. 1;
 FIG. 3 is a side elevational view of the chair of FIGS. 1 and 2;
 FIG. 4 is a rear elevational view of the chair of FIGS. 1-3;
 FIG. 5 is a side elevational view of the chair of FIGS. 1-4, showing the side opposite the side shown in FIG. 3;
 FIG. 6 is a top view of the chair of FIGS. 1-5;
 FIG. 7 is a bottom view of the chair of FIGS. 1-6;
 FIG. 8 is a perspective view of a second embodiment of the chair;
 FIG. 9 is a front elevational view of the chair of FIG. 8;
 FIG. 10 is a side elevational view of the chair of FIGS. 8 and 9;
 FIG. 11 is a rear elevational view of the chair of FIGS. 8-10;
 FIG. 12 is a side elevational view of the chair of FIGS. 8-11, showing the side opposite the side shown in FIG. 10;
 FIG. 13 is a top view of the chair of FIGS. 8-12;
 FIG. 14 is a bottom view of the chair of FIGS. 8-13;
 FIG. 15 is a perspective view of a third embodiment of the chair;
 FIG. 16 is a front elevational view thereof;
 FIG. 17 is a side elevational view thereof;
 FIG. 18 is a rear elevational view thereof; and
 FIG. 19 is a side elevational view thereof; showing the opposite side view of FIG. 17;
 FIG. 20 is a top view thereof; and,
 FIG. 21 is a bottom view thereof.

The broken lines are for the purpose of illustrating the environment of the design only and form no part of the claimed design.

1 Claim, 12 Drawing Sheets



US D629,630 S

Page 2

U.S. PATENT DOCUMENTS

D464,493 S *	10/2002	Stannard	D6/368	D591,968 S *	5/2009	Pinaffo et al.	D6/380
D465,940 S *	11/2002	Nien	D6/368	D598,667 S *	8/2009	Kubryk	D6/369
D469,969 S *	2/2003	Glass et al.	D6/374	D600,465 S *	9/2009	Kumazawa	D6/373
D474,620 S *	5/2003	Striebel	D6/374	D607,221 S *	1/2010	Shen	D6/367
D481,550 S *	11/2003	Astle	D6/374	D608,105 S *	1/2010	Kubryk	D6/380
D508,339 S *	8/2005	Astle	D6/374	D616,658 S *	6/2010	Niermeyer	D6/368
D519,291 S *	4/2006	Higgs et al.	D6/367	D617,108 S *	6/2010	Niermeyer	D6/368
D560,384 S *	1/2008	Stauber	D6/374	D618,006 S *	6/2010	Price et al.	D6/380
7,452,035 B2 *	11/2008	Astle et al.	297/440.22	2003/0102700 A1 *	6/2003	Lin	297/183.9

* cited by examiner

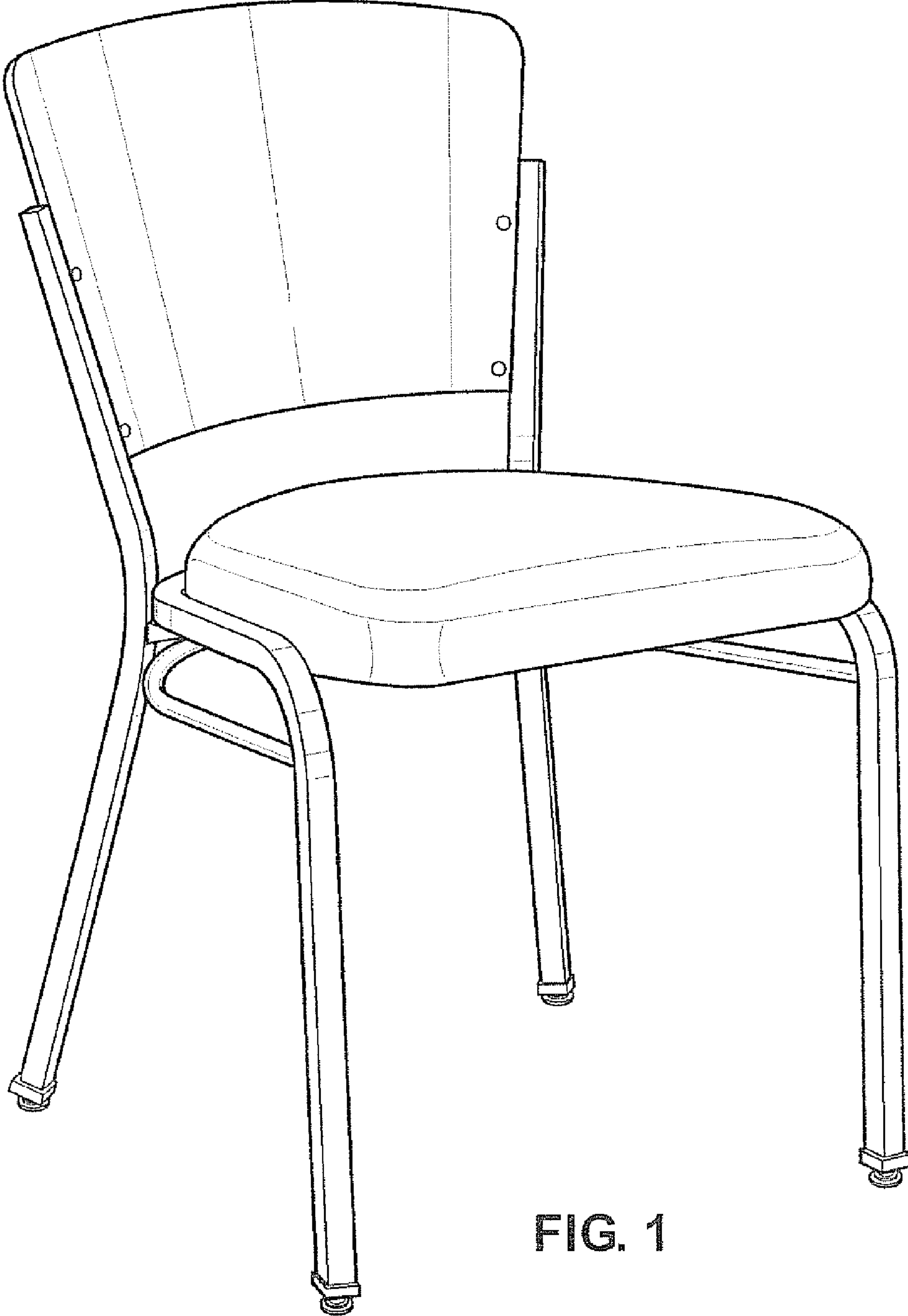


FIG. 1

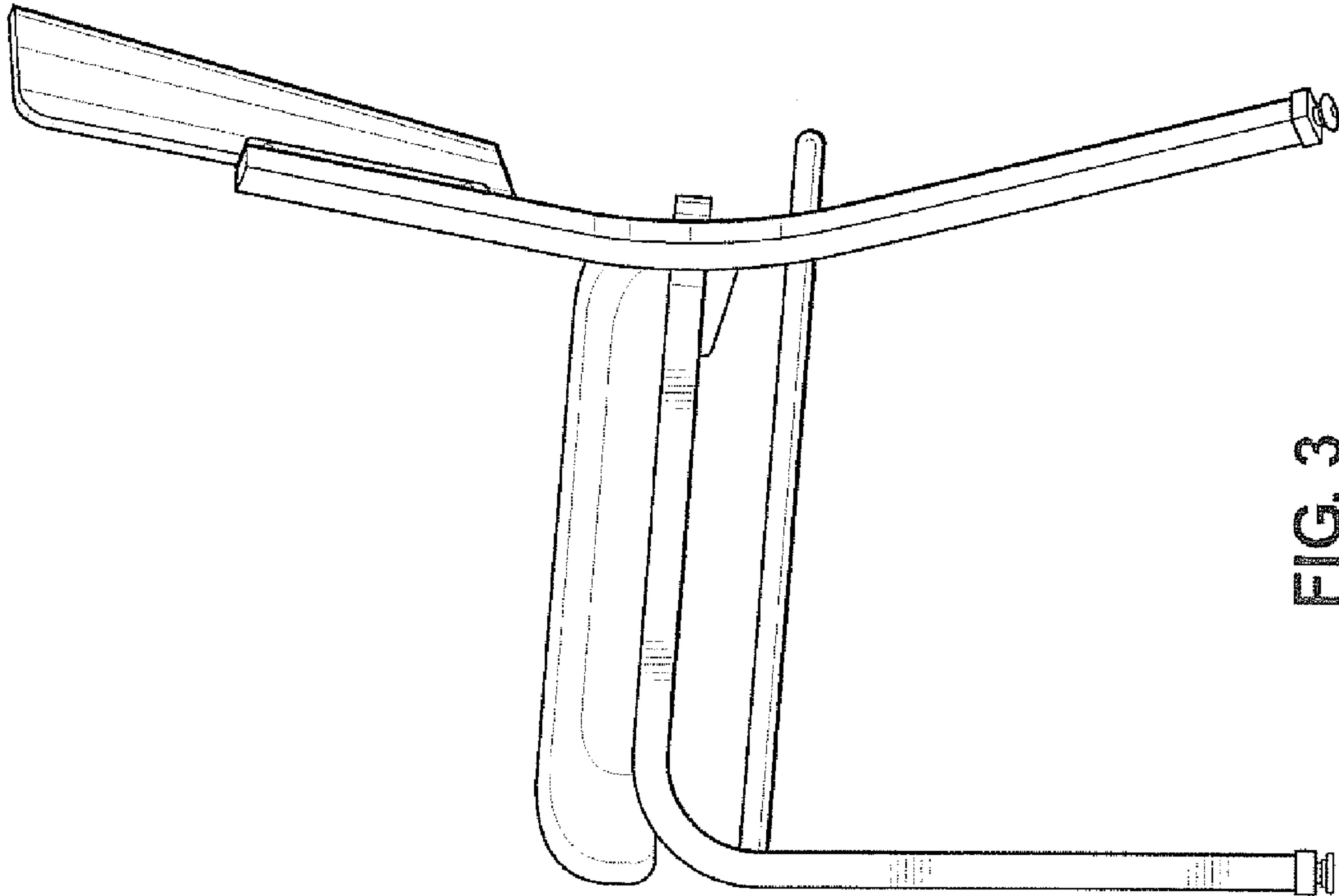


FIG. 3

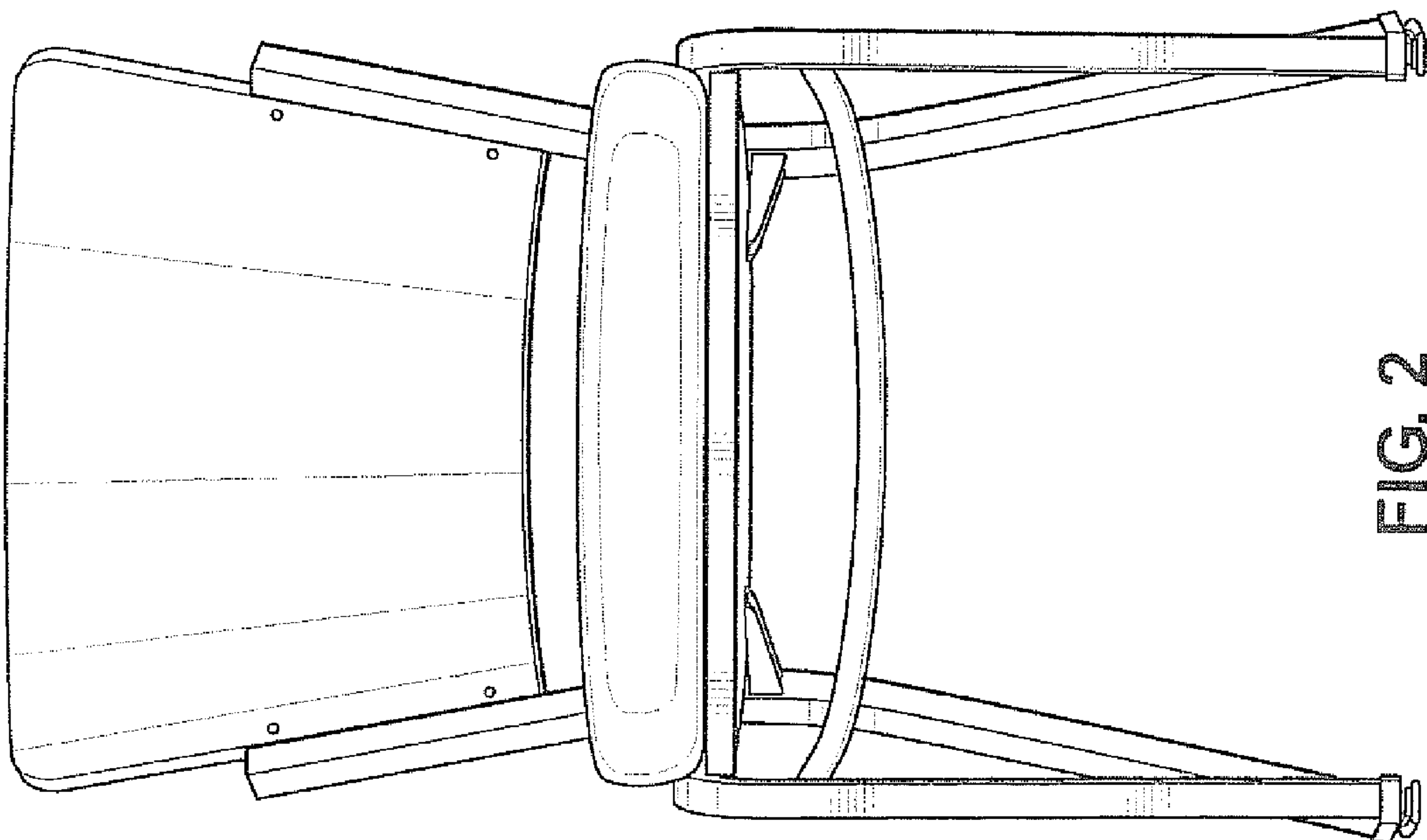


FIG. 2

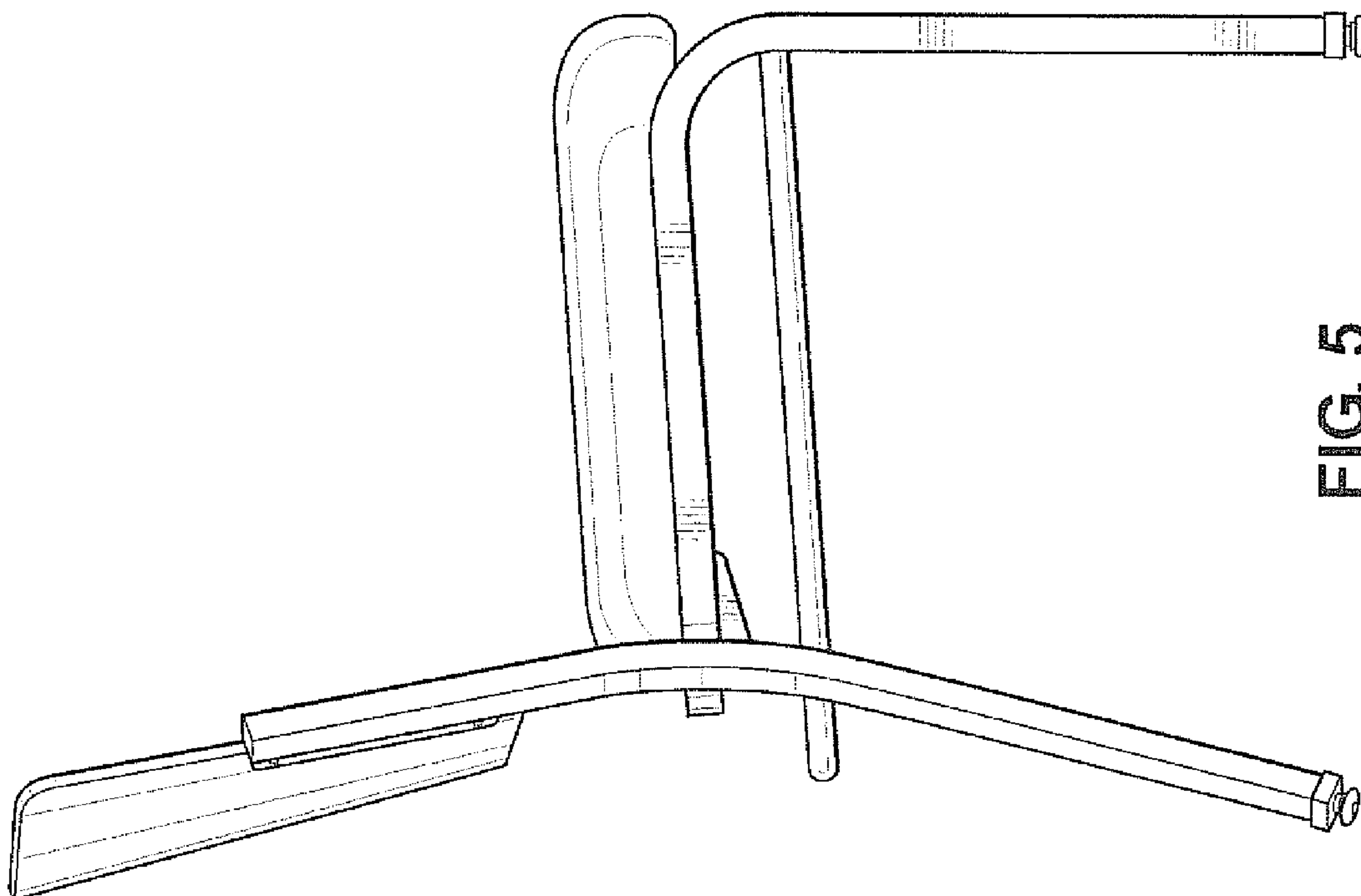


FIG. 5

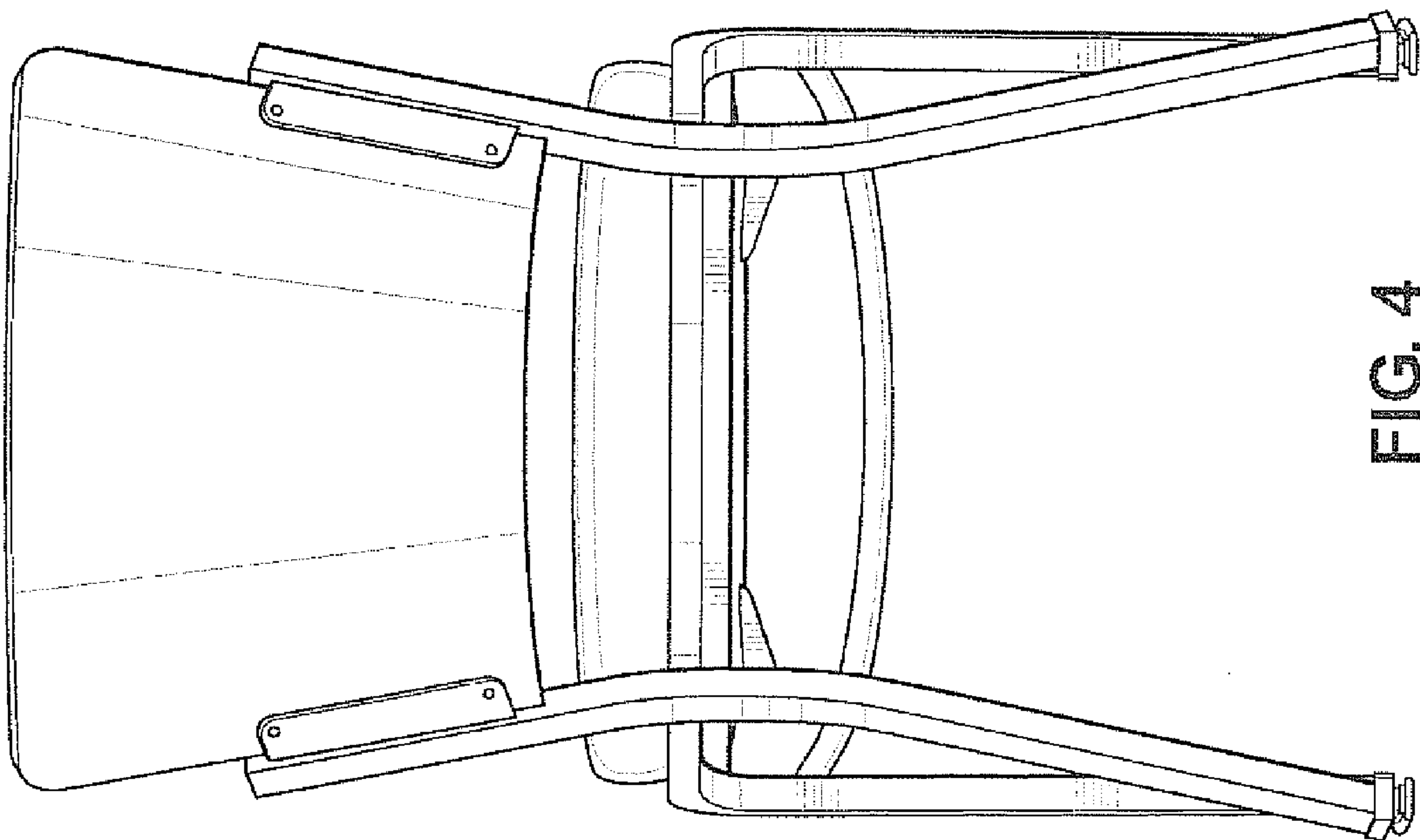


FIG. 4

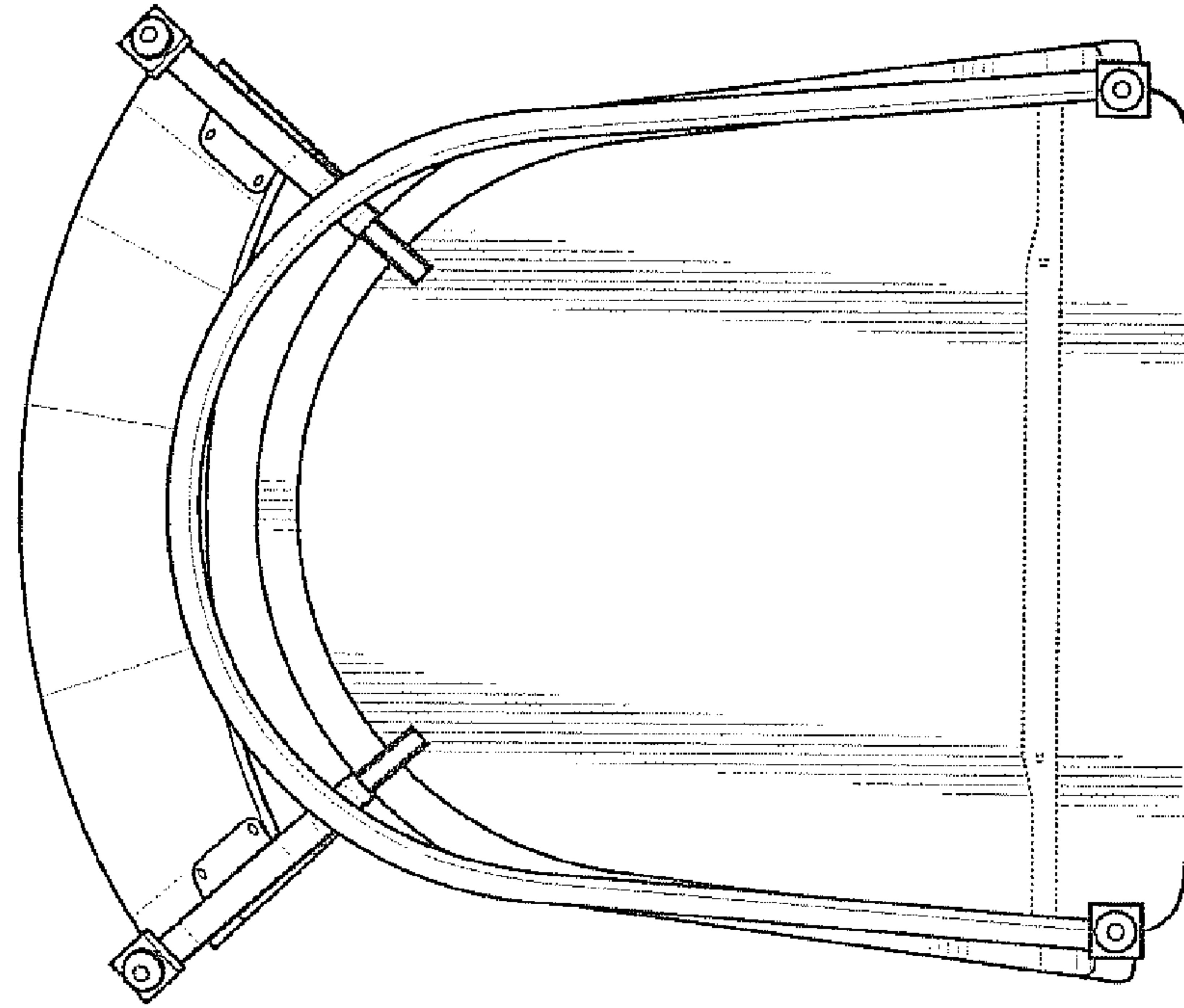


FIG. 6

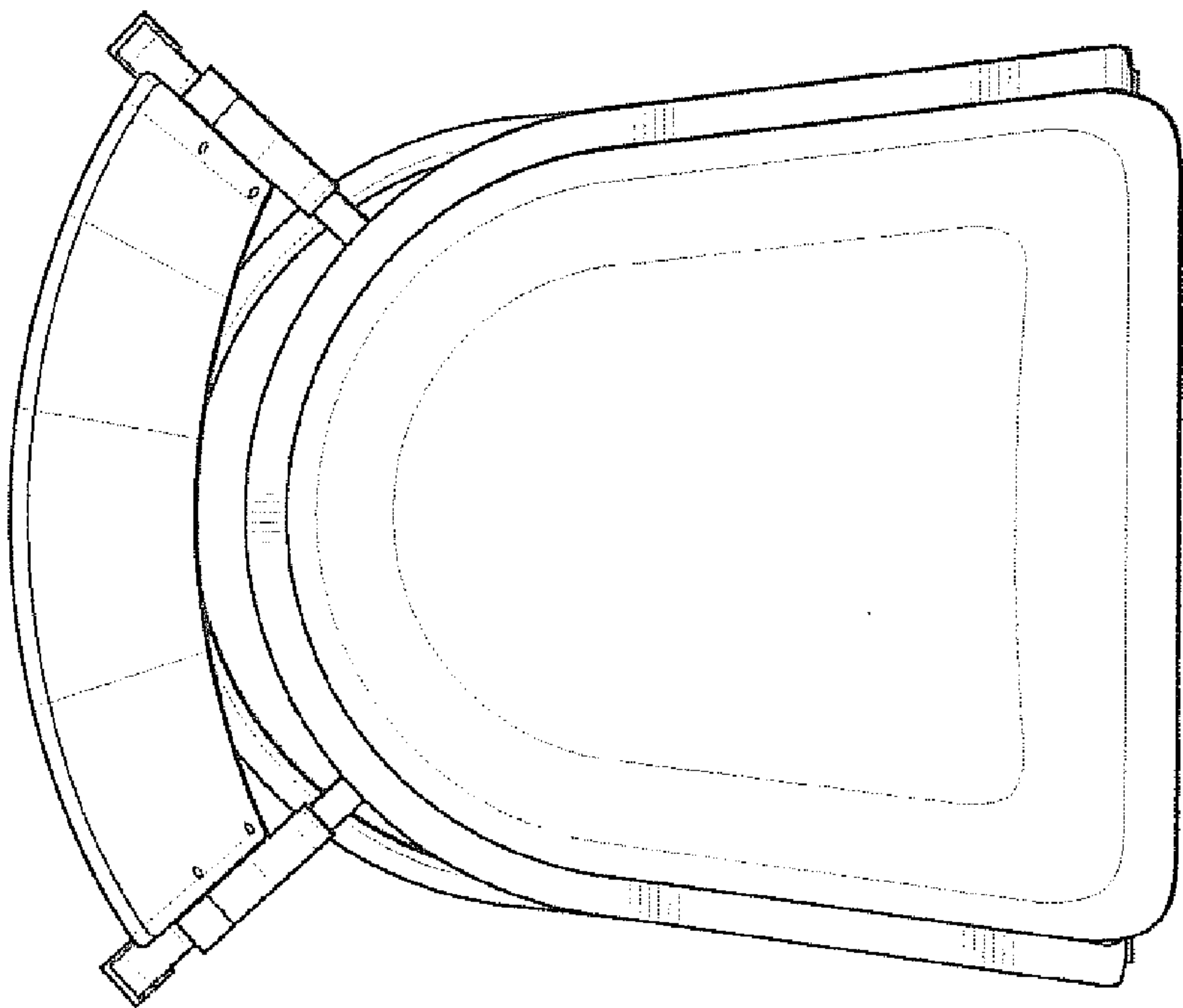


FIG. 7

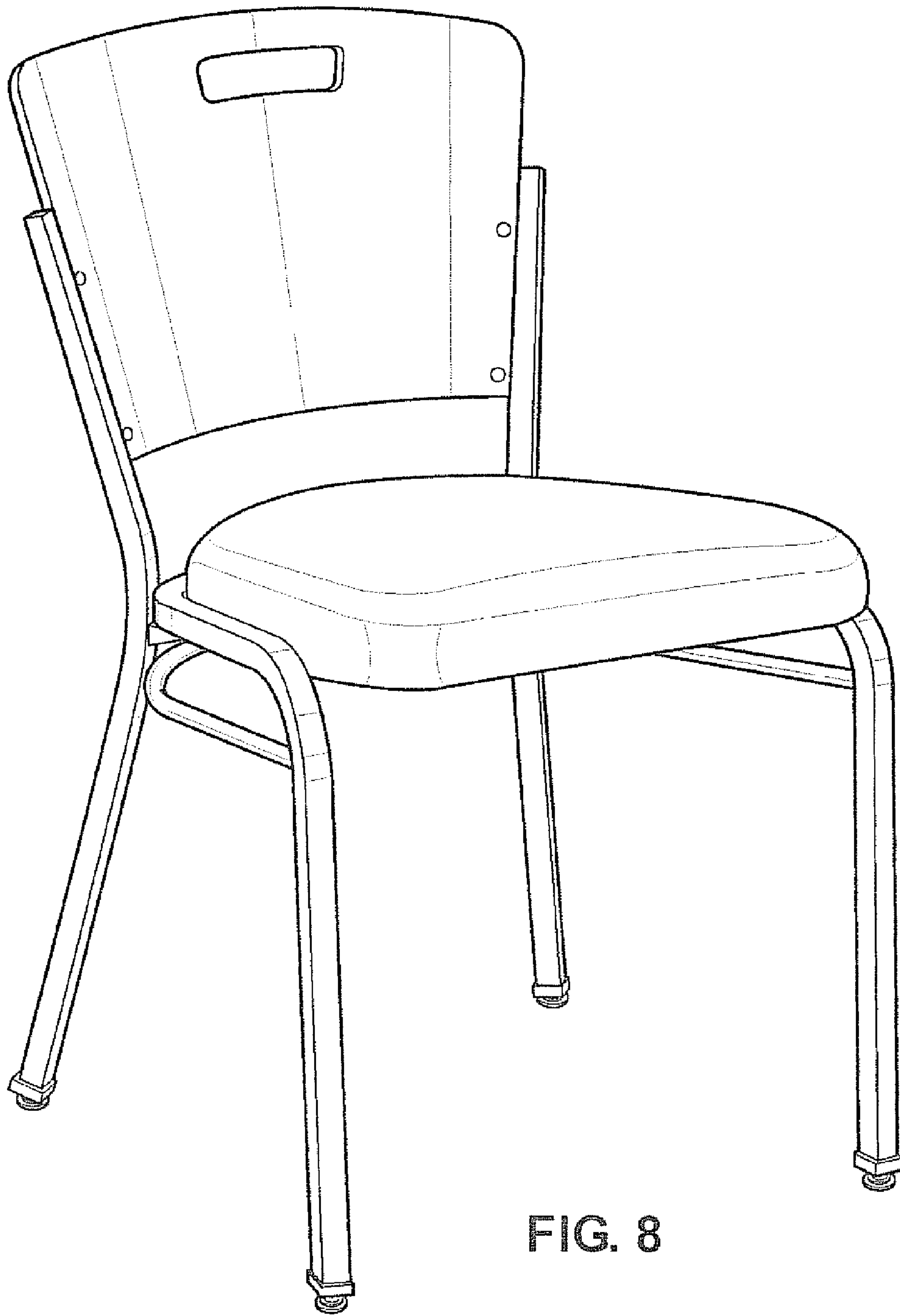


FIG. 8

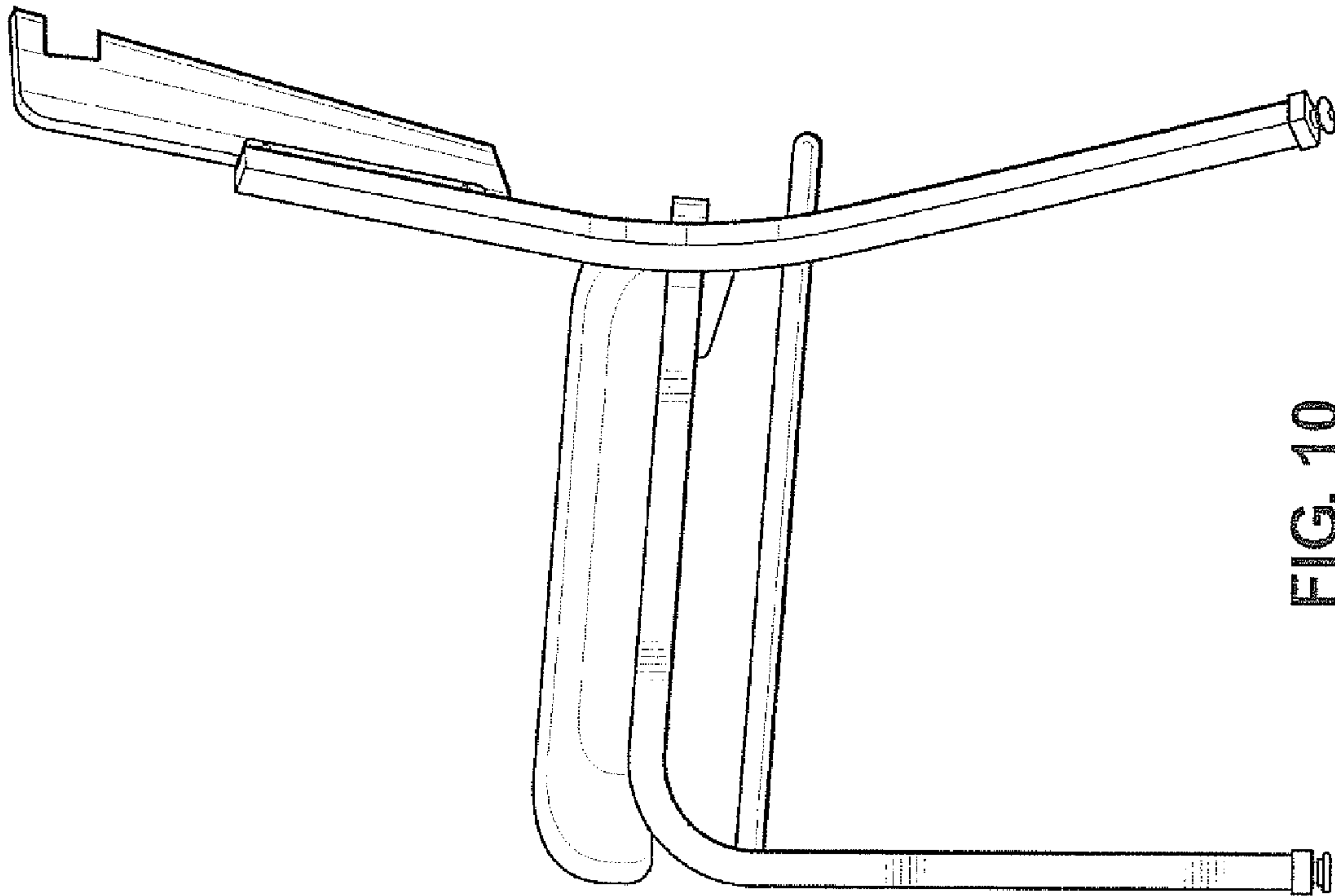


FIG. 10

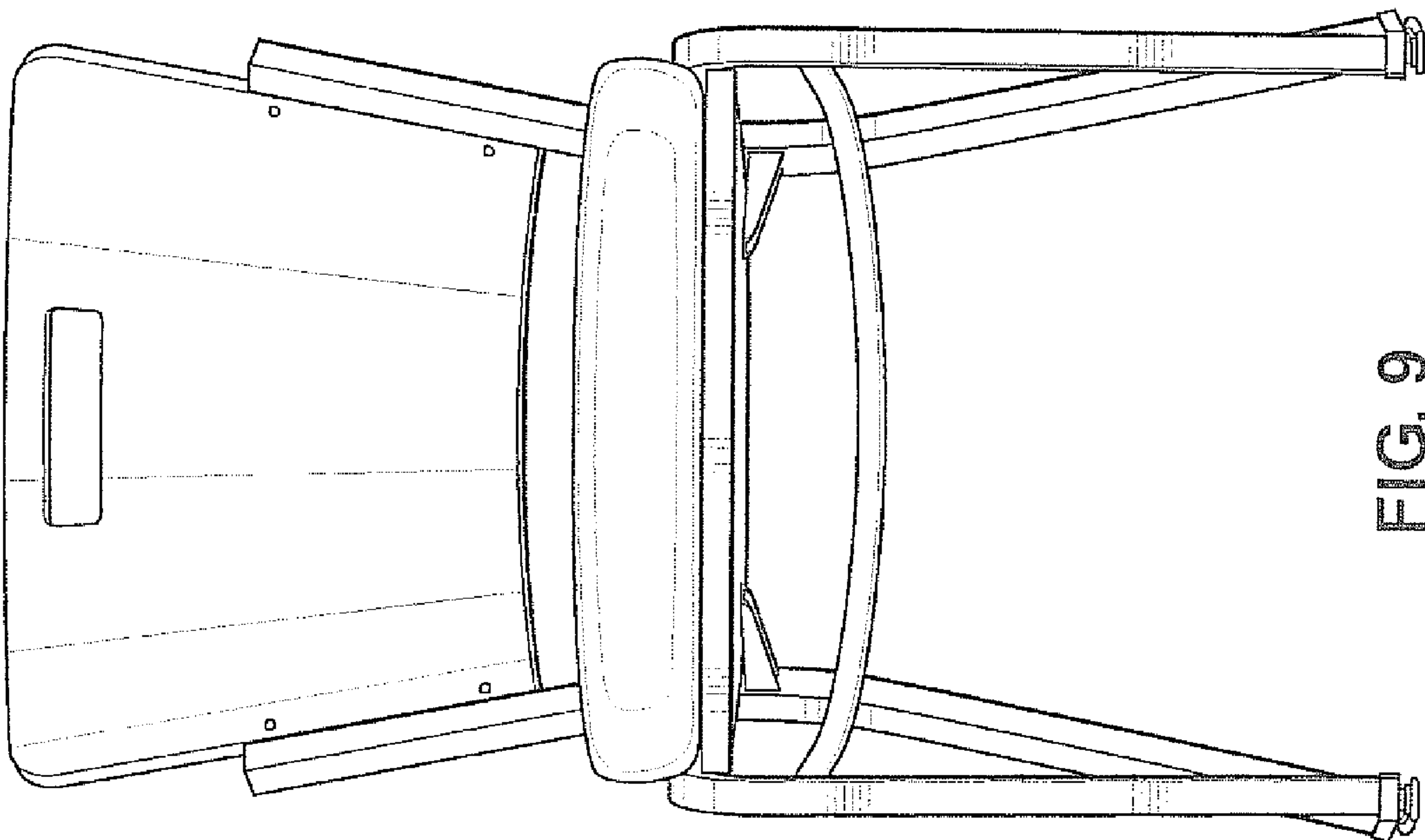


FIG. 9

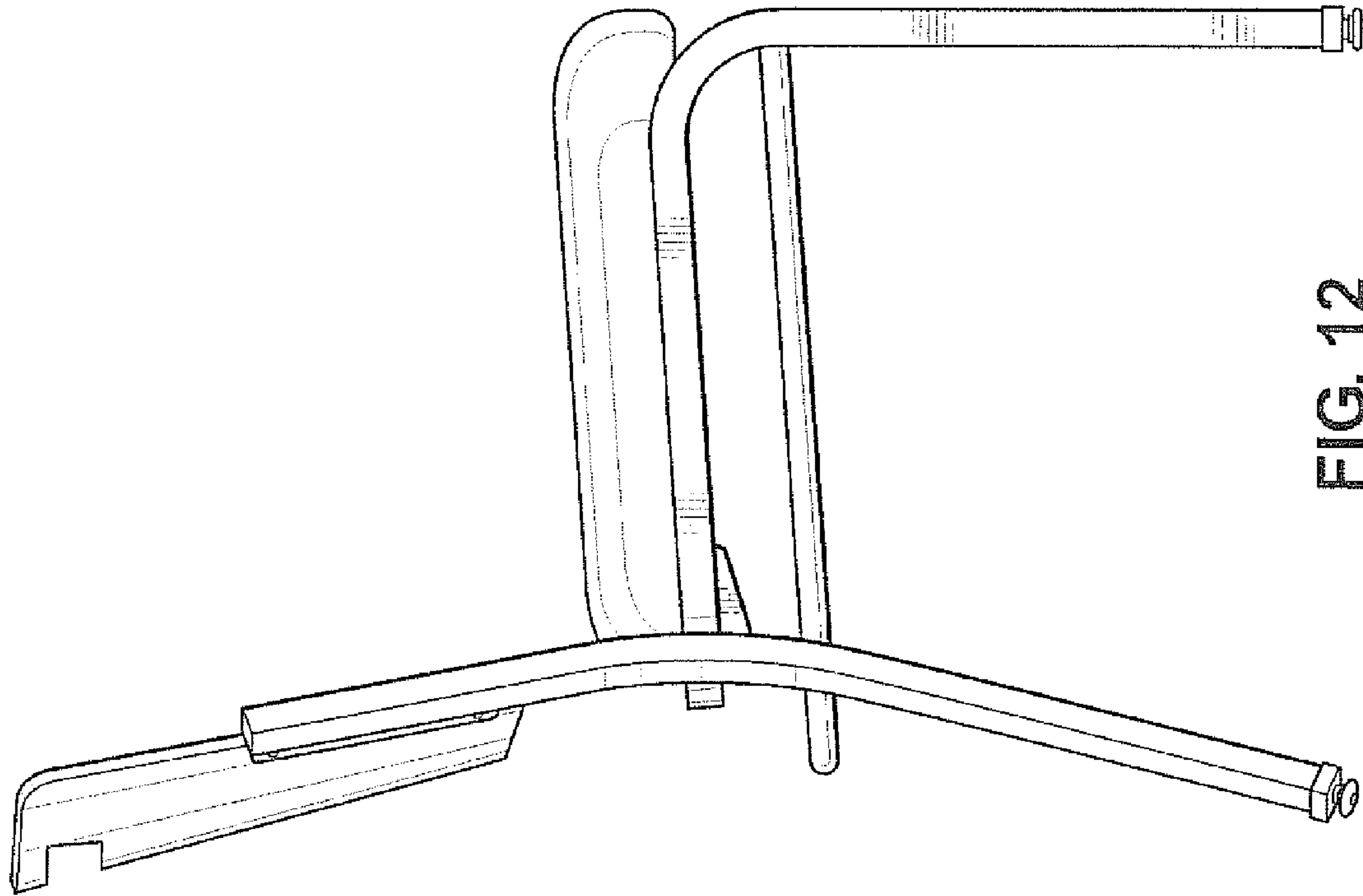


FIG. 12

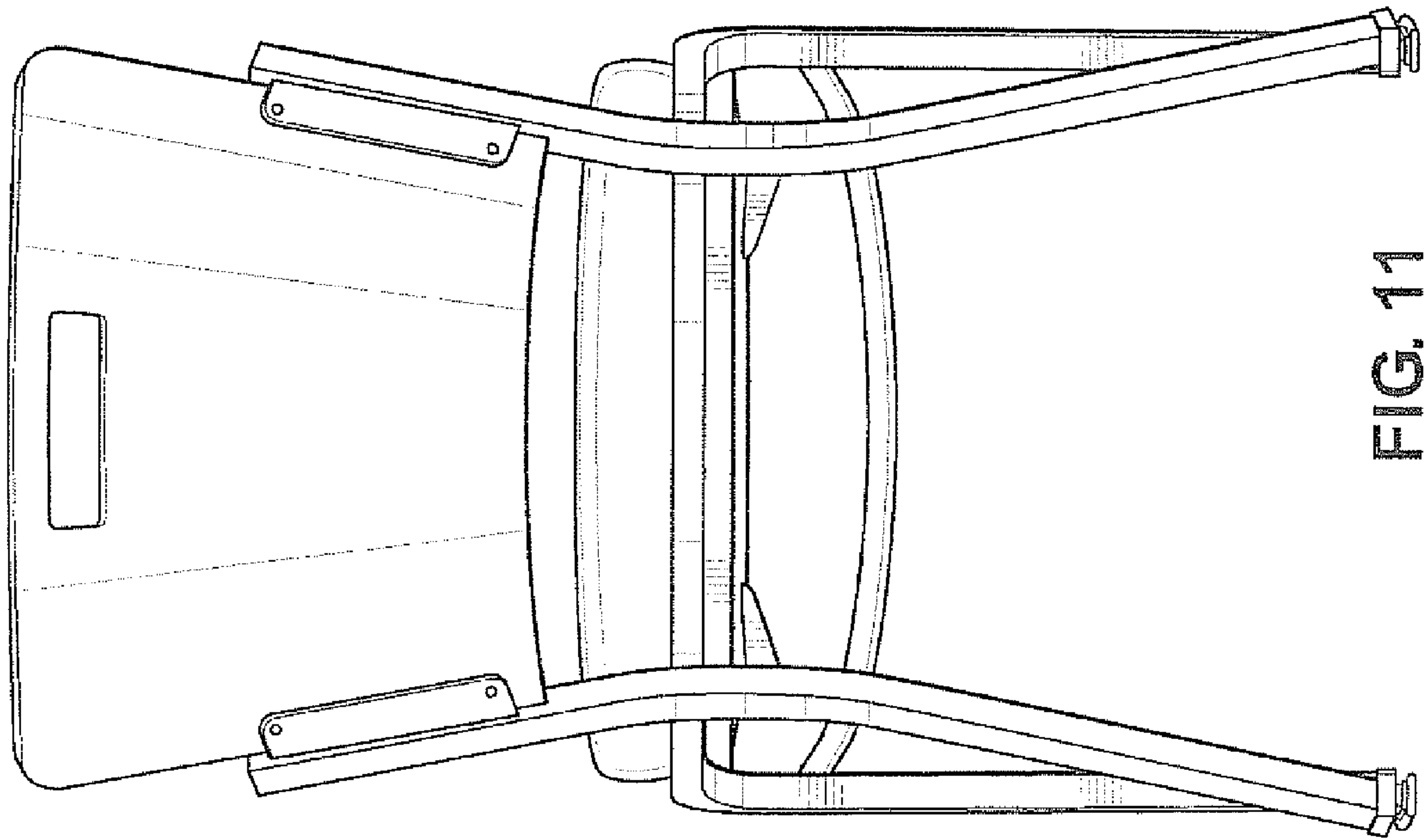


FIG. 11

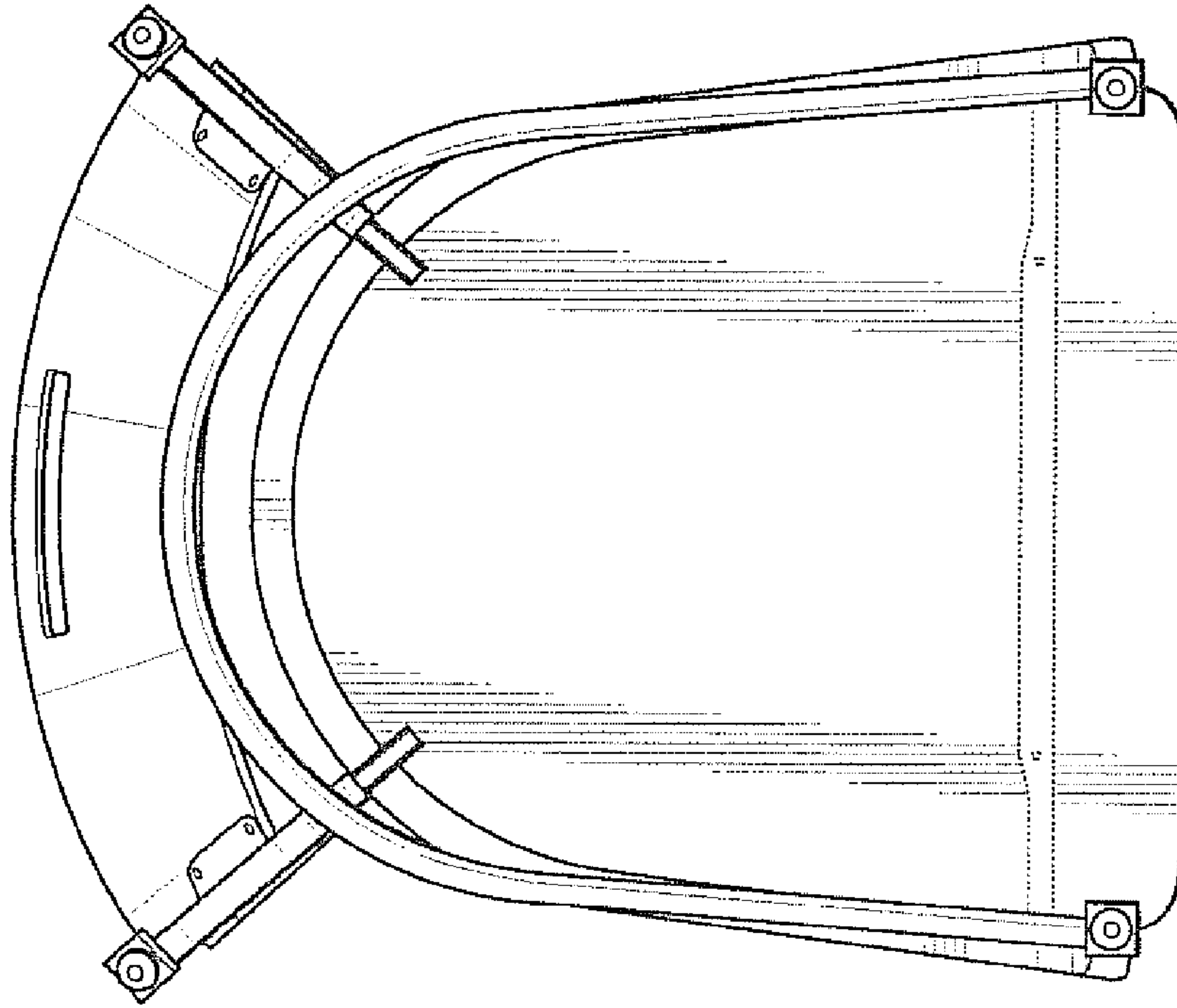


FIG. 14

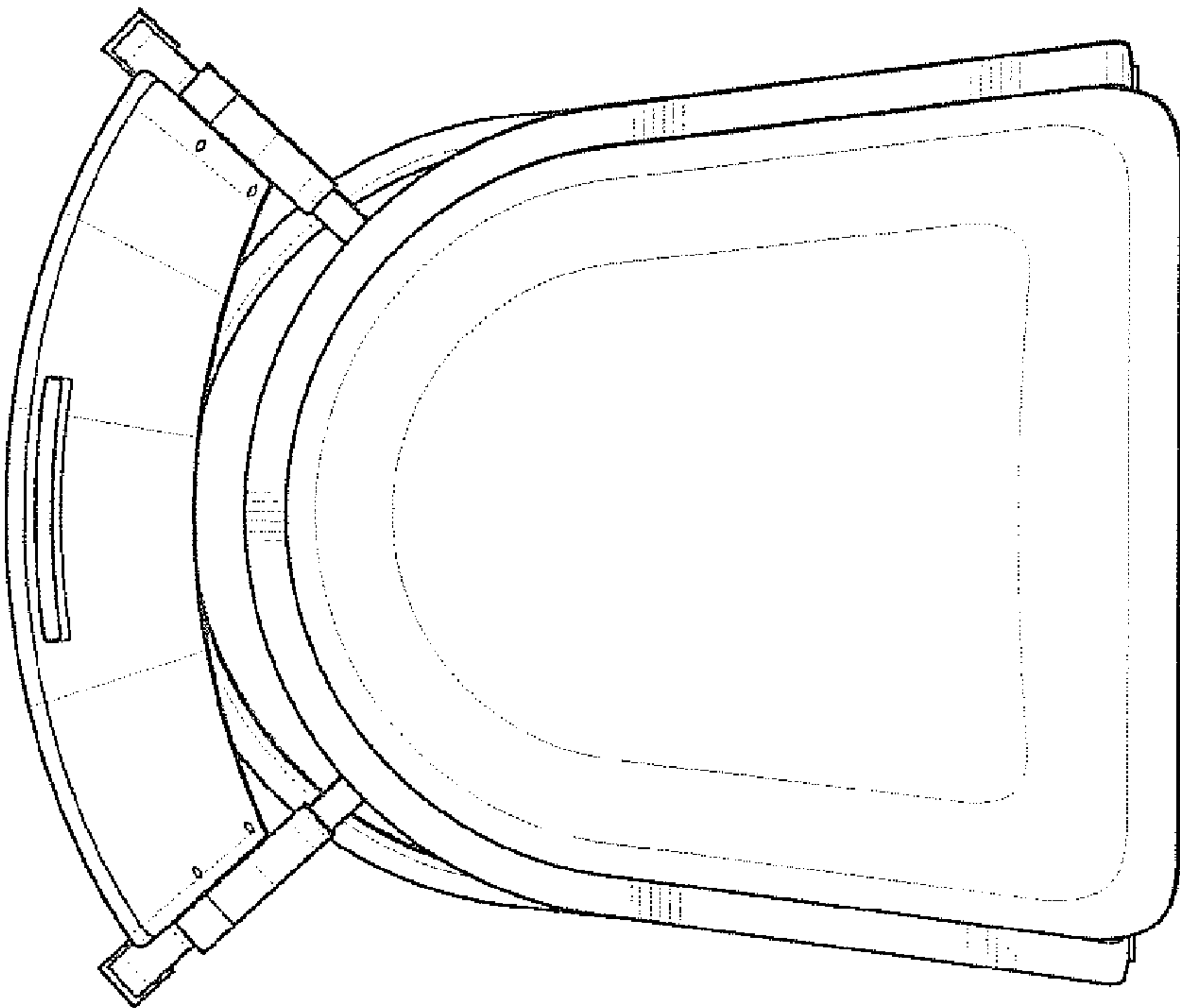


FIG. 13

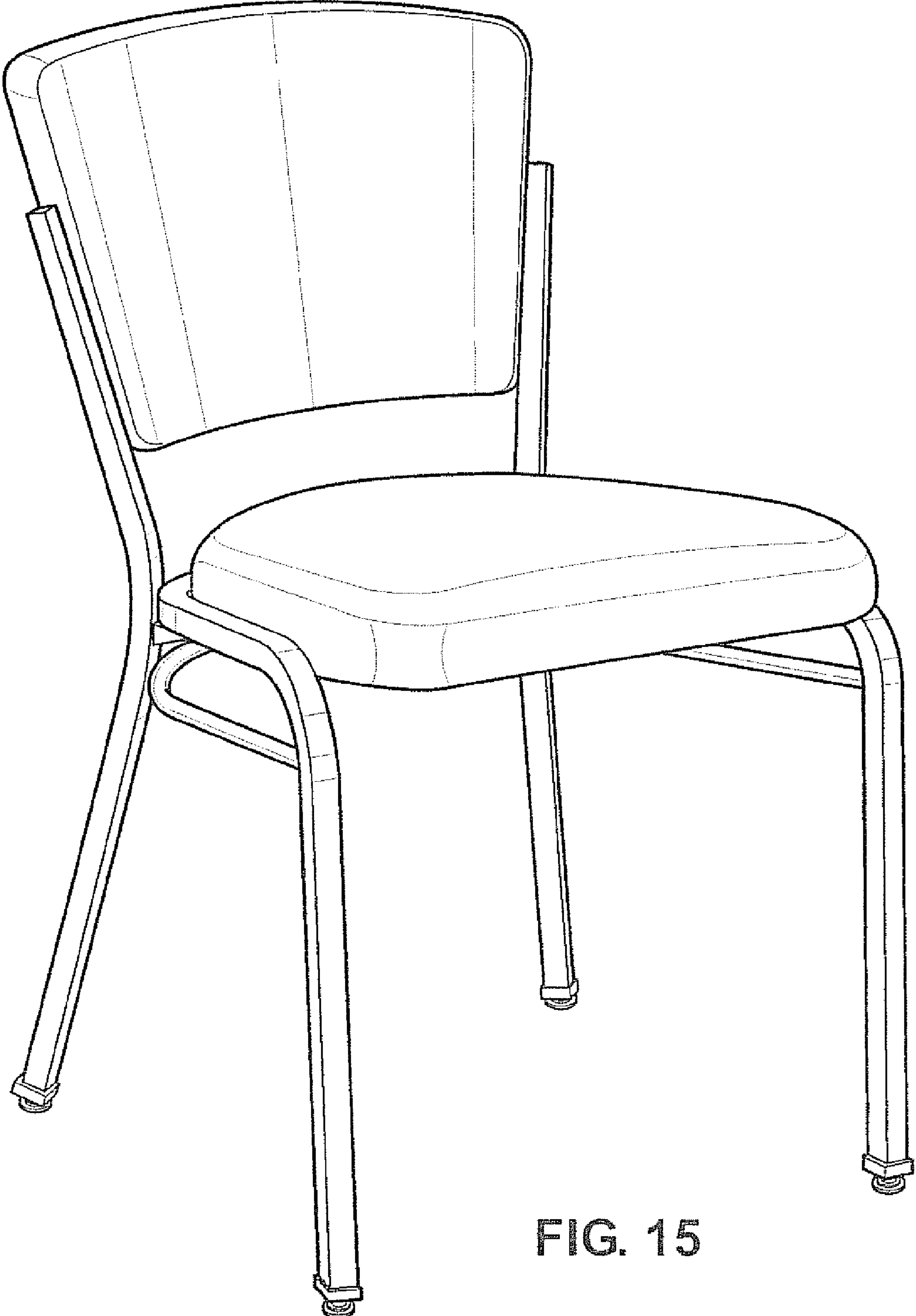


FIG. 15

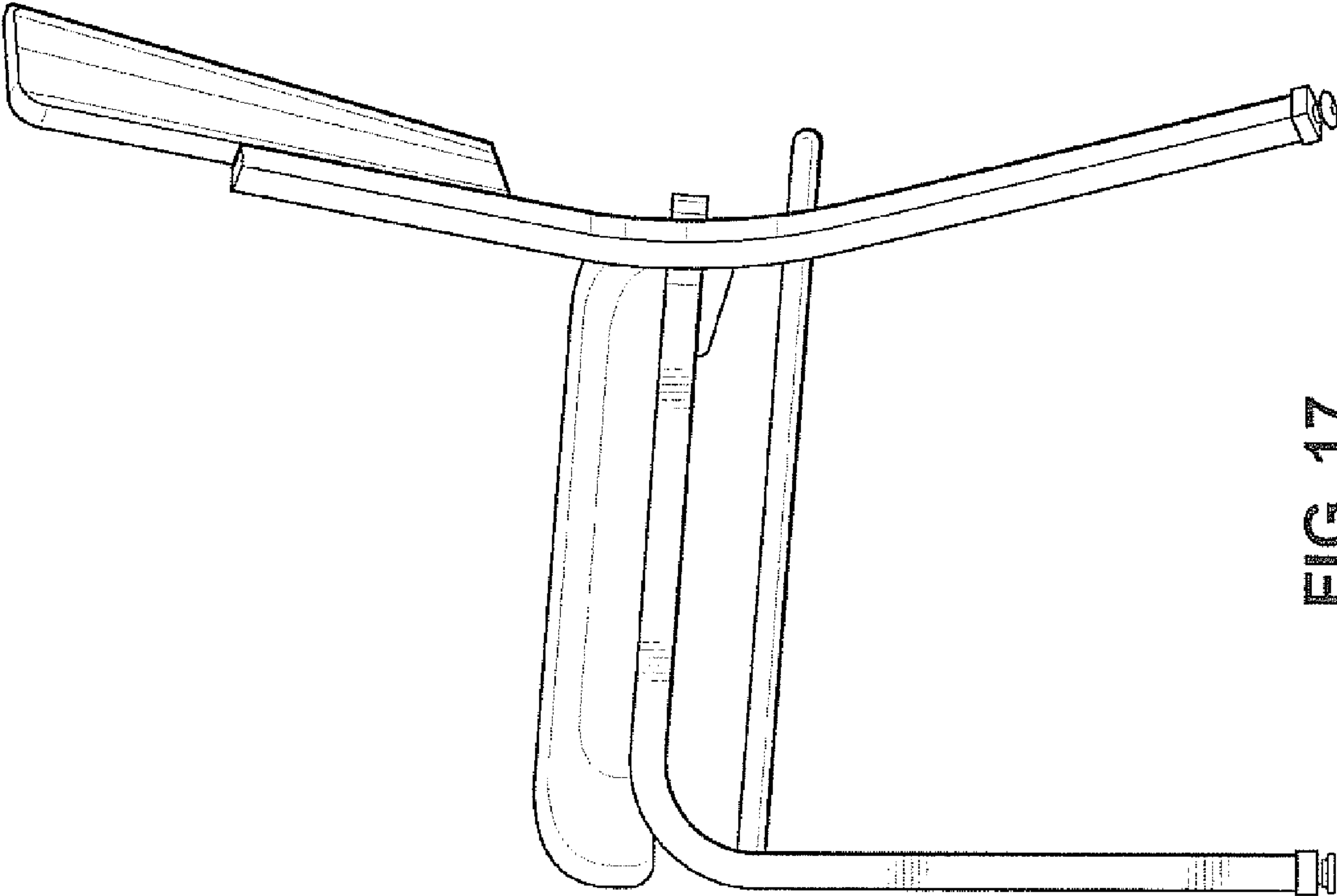


FIG. 17

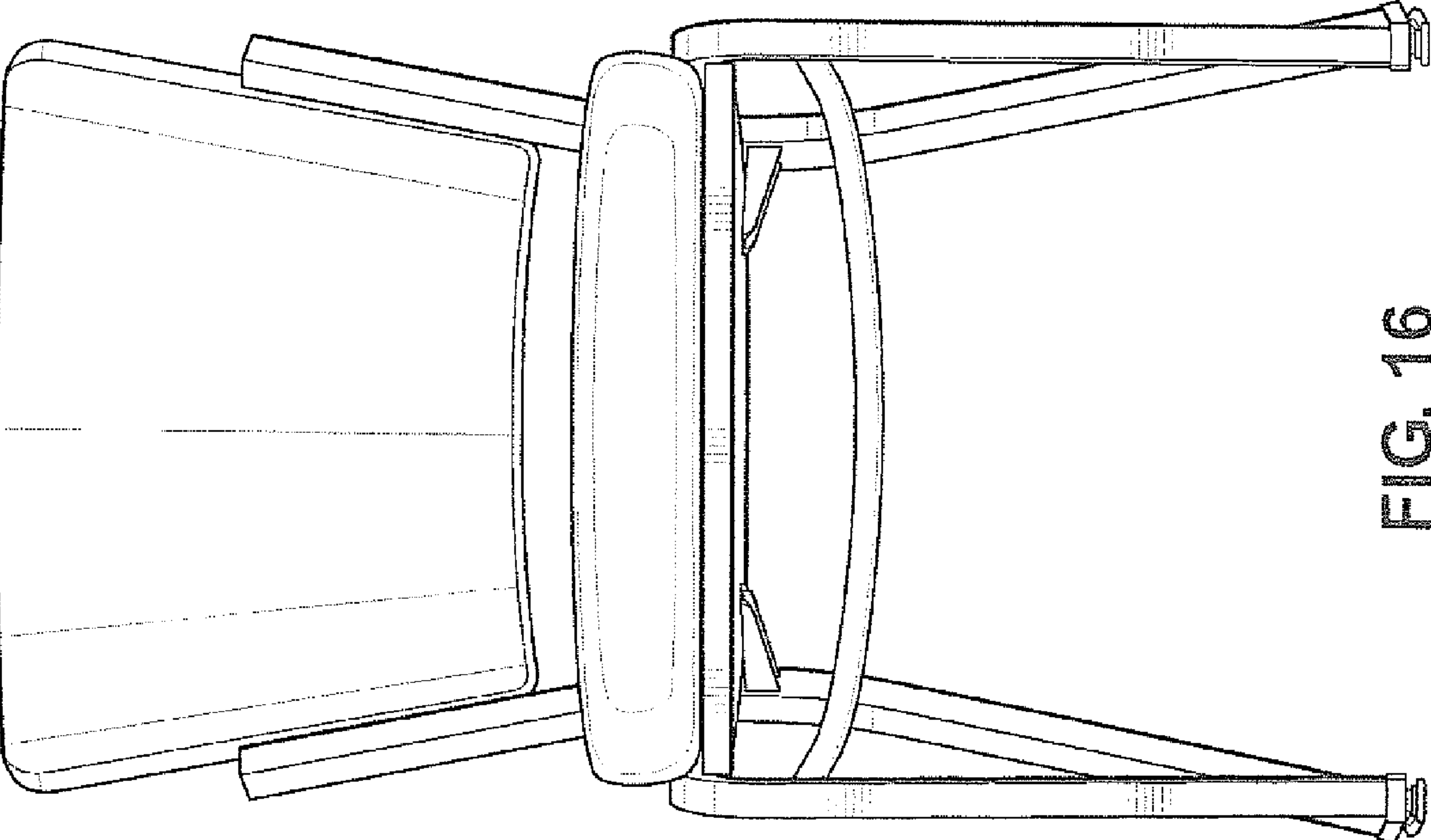


FIG. 16

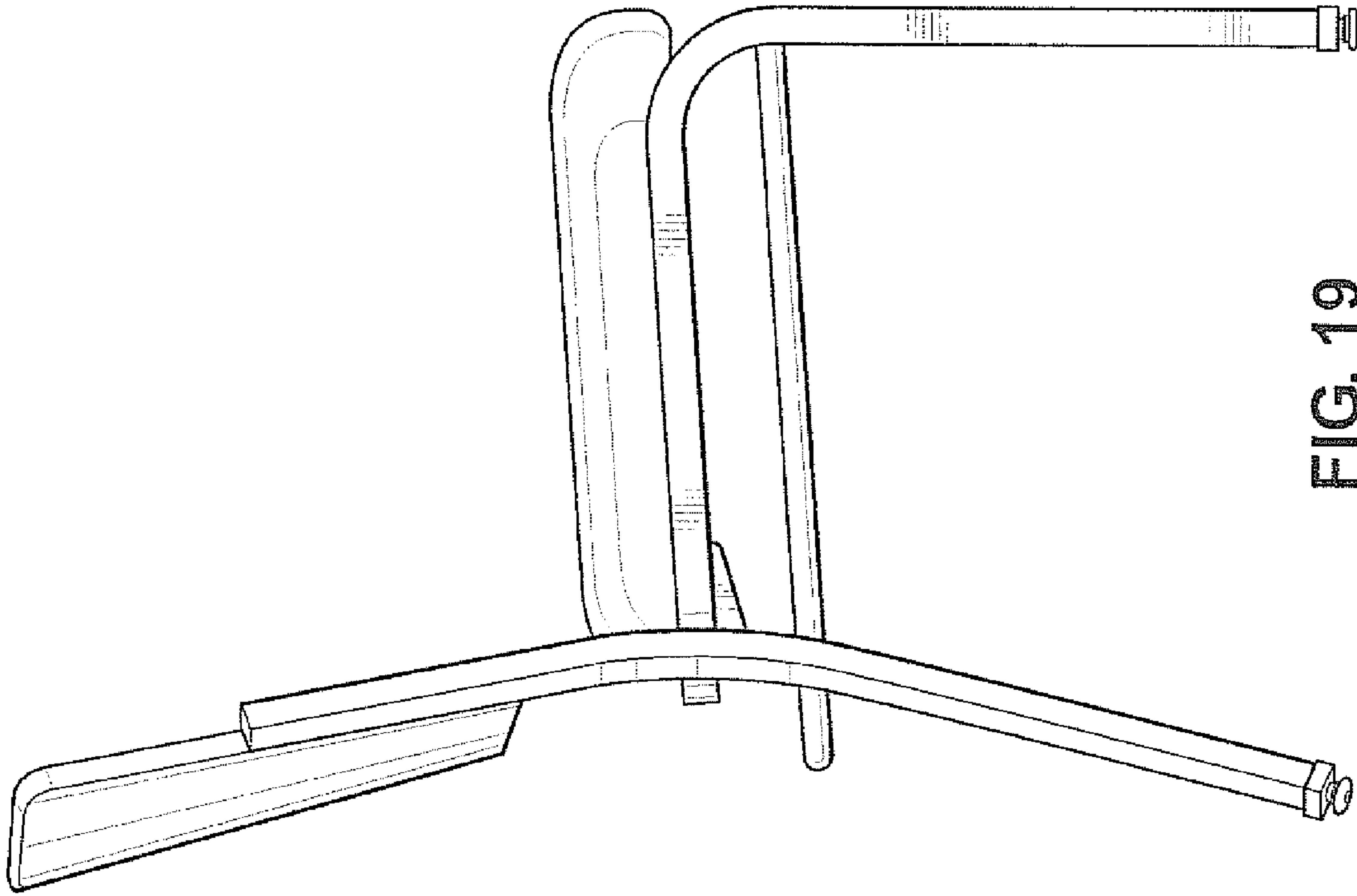


FIG. 19

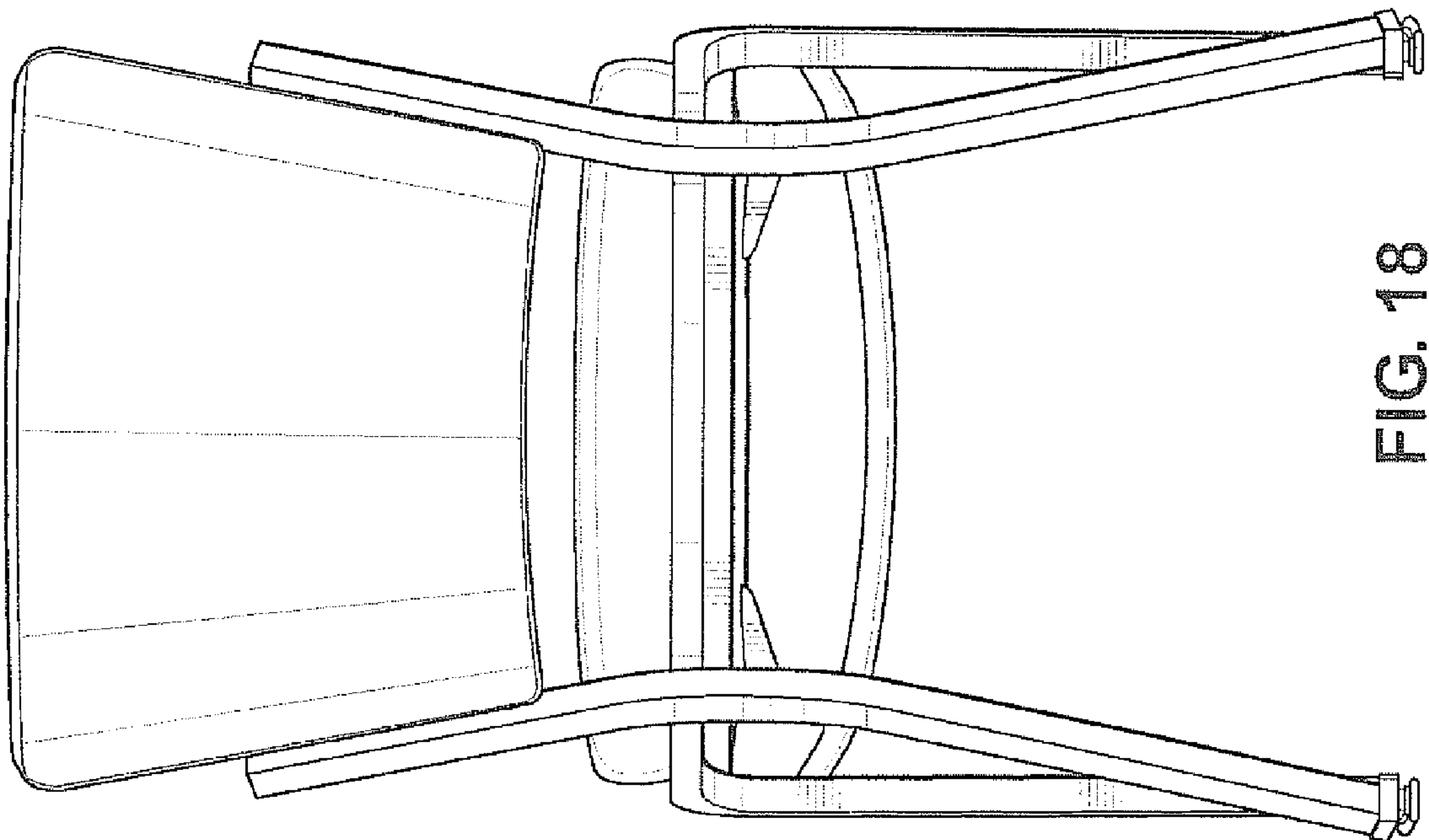


FIG. 18

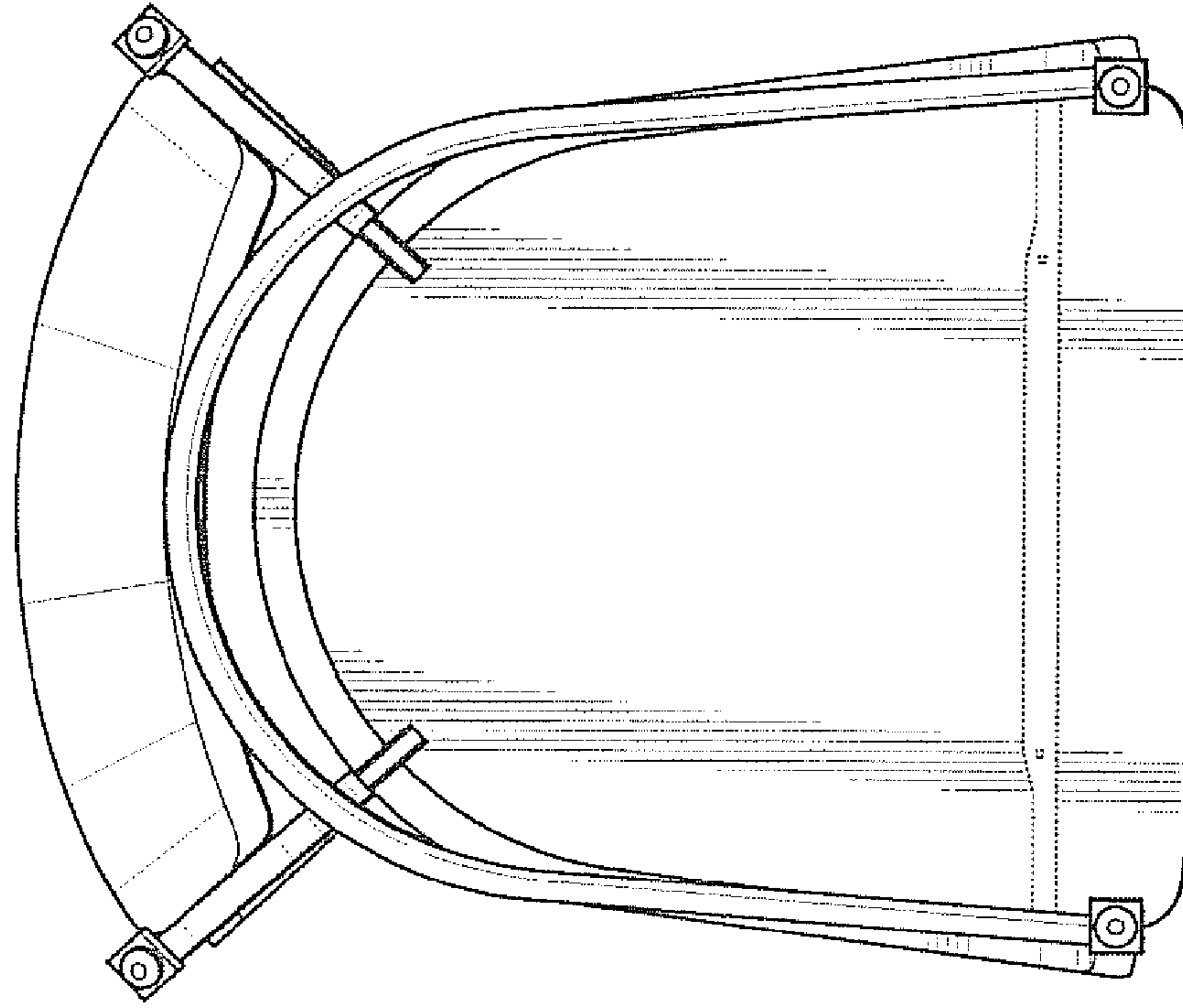


FIG. 21

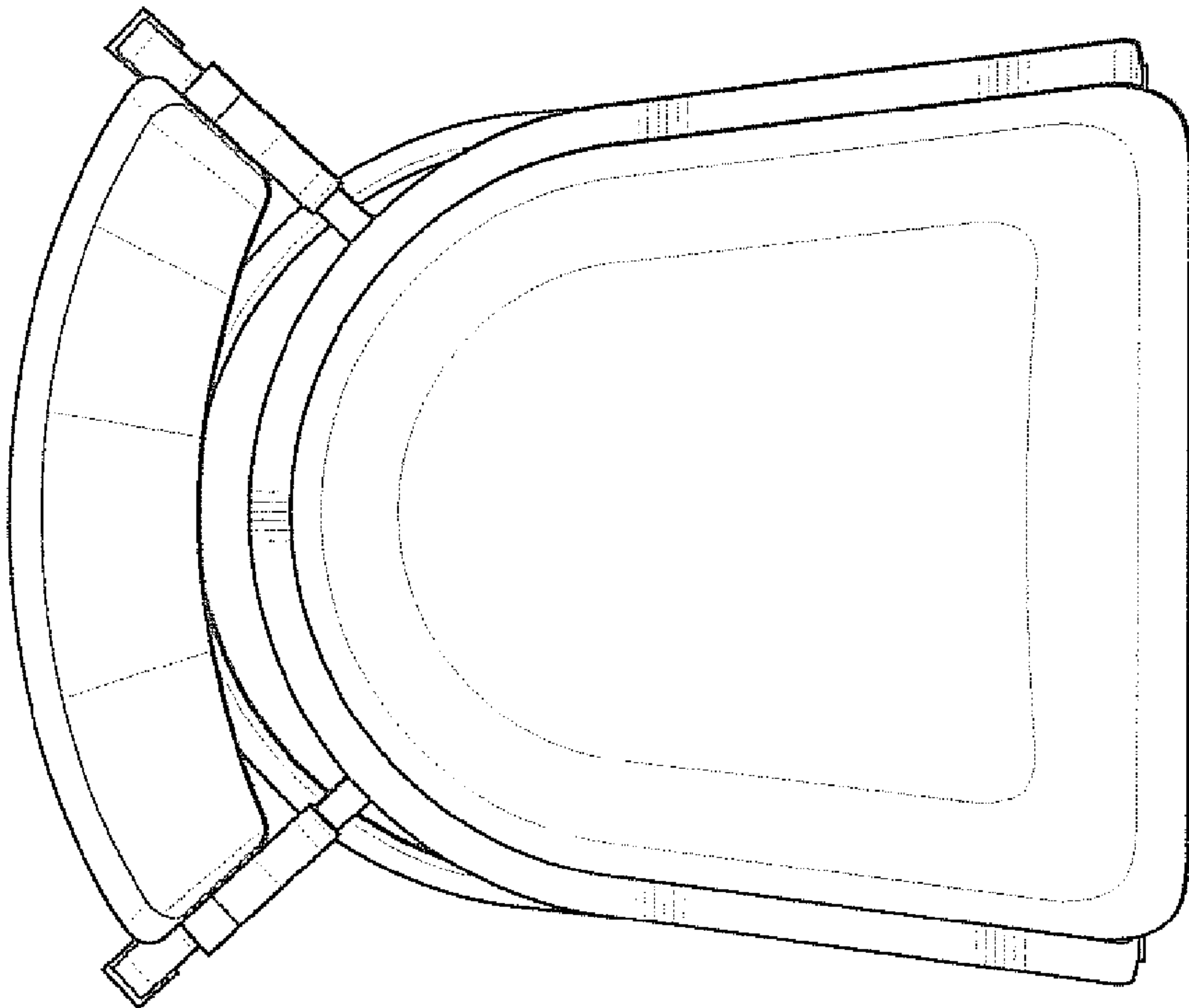


FIG. 20