

US00D629628S

(12) **United States Design Patent**
Hsu

(10) **Patent No.:** **US D629,628 S**

(45) **Date of Patent:** **** Dec. 28, 2010**

(54) **SEAT CUSHION FOR BICYCLE**

(76) **Inventor:** **Tsung-Yung Hsu**, No. 49, Dajin St.,
Nantun Dist., Taichung City 408 (TW)

(**) **Term:** **14 Years**

(21) **Appl. No.:** **29/342,056**

(22) **Filed:** **Aug. 18, 2009**

(51) **LOC (9) Cl.** **12-11**

(52) **U.S. Cl.** **D6/354**

(58) **Field of Classification Search** D6/354,
D6/500-502, 601; D12/111, 114, 119; 297/195.1,
297/196-215, 215.1-215.16, 452.48, 219.1,
297/219.11, 452.21, 452.22

See application file for complete search history.

(56) **References Cited**

U.S. PATENT DOCUMENTS

D25,951	S *	8/1896	Wilkinson et al.	D6/354
576,070	A *	1/1897	Deitzler	297/312
4,063,775	A *	12/1977	Mesinger	297/201
D377,880	S *	2/1997	Oyama, Jr.	D6/601
6,193,309	B1 *	2/2001	Gootter et al.	297/202

* cited by examiner

Primary Examiner—Philip S Hyder
Assistant Examiner—Linda G. Brooks

(74) *Attorney, Agent, or Firm*—Rabin & Berdo, P.C.

(57) **CLAIM**

The ornamental design for a seat cushion for bicycle, as shown and described.

DESCRIPTION

FIG. 1 a front elevational view of a seat cushion for bicycle showing my new design;

FIG. 2 is a rear elevational view thereof;

FIG. 3 is a left side elevational view thereof;

FIG. 4 is a right side elevational view thereof;

FIG. 5 is a top plan view thereof;

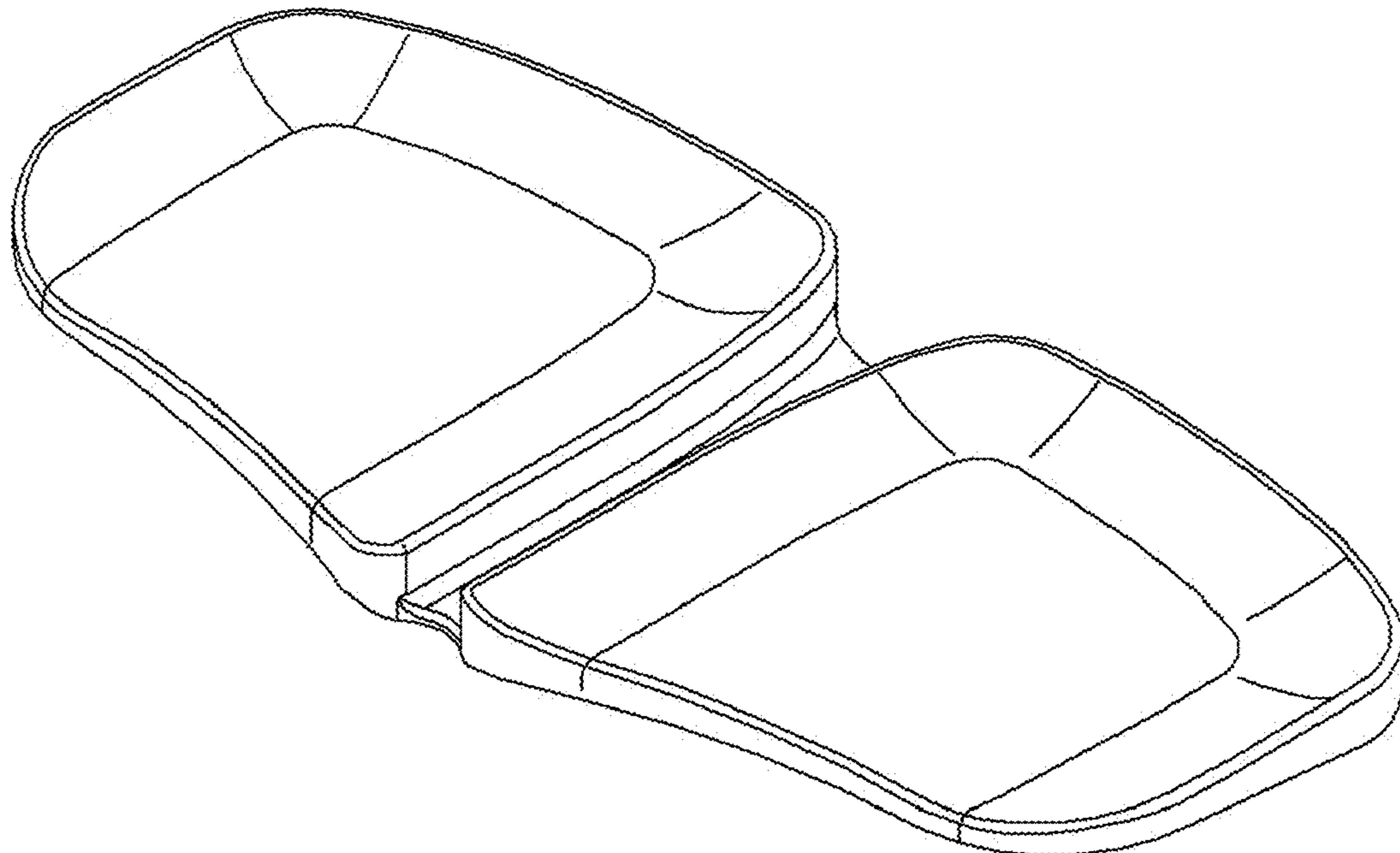
FIG. 6 is a bottom plan view thereof;

FIG. 7 is a perspective view thereof; and,

FIG. 8 is a perspective view thereof in position of use.

The broken lines showing a rider and portions of a bicycle illustrate environment and structure that form no part of the claimed design.

1 Claim, 5 Drawing Sheets



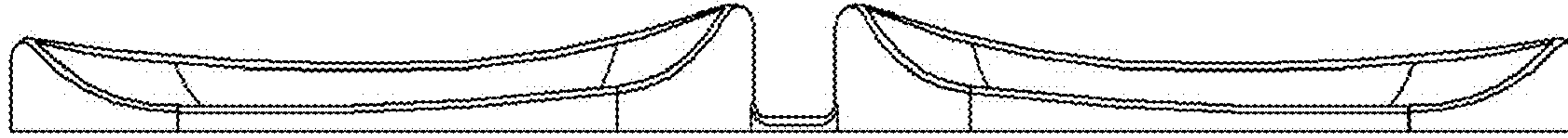


FIG. 1

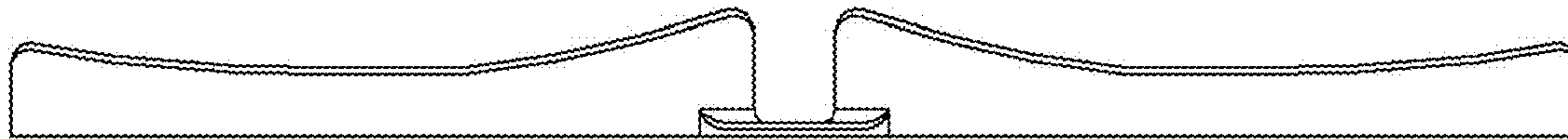


FIG. 2

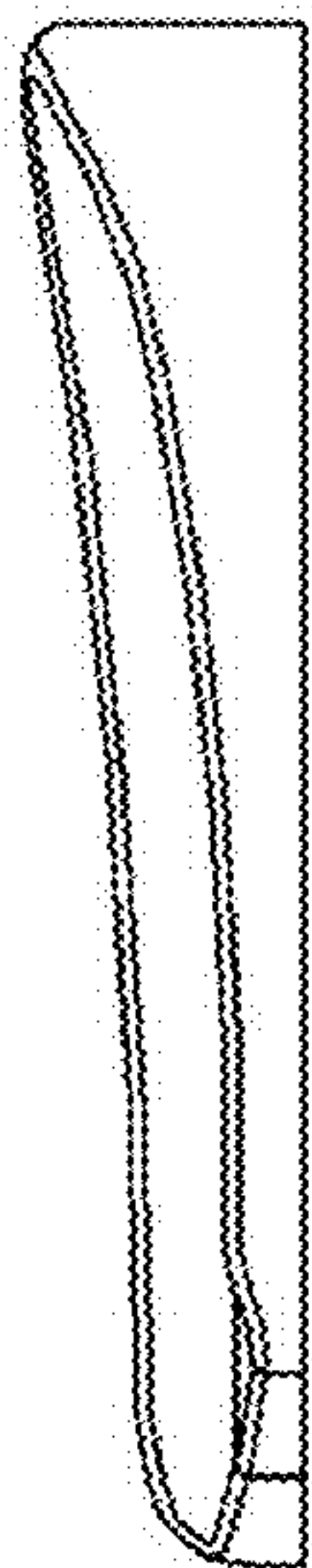


FIG. 4

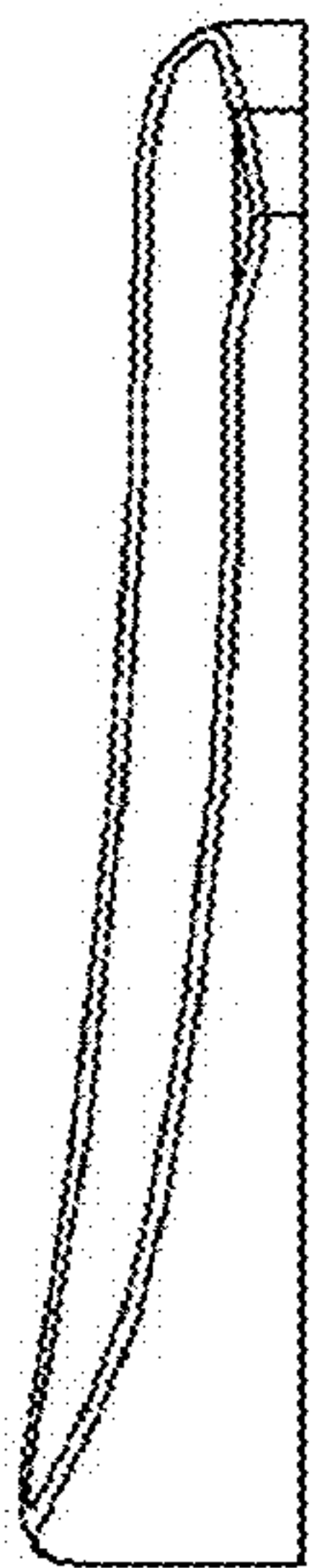


FIG. 3

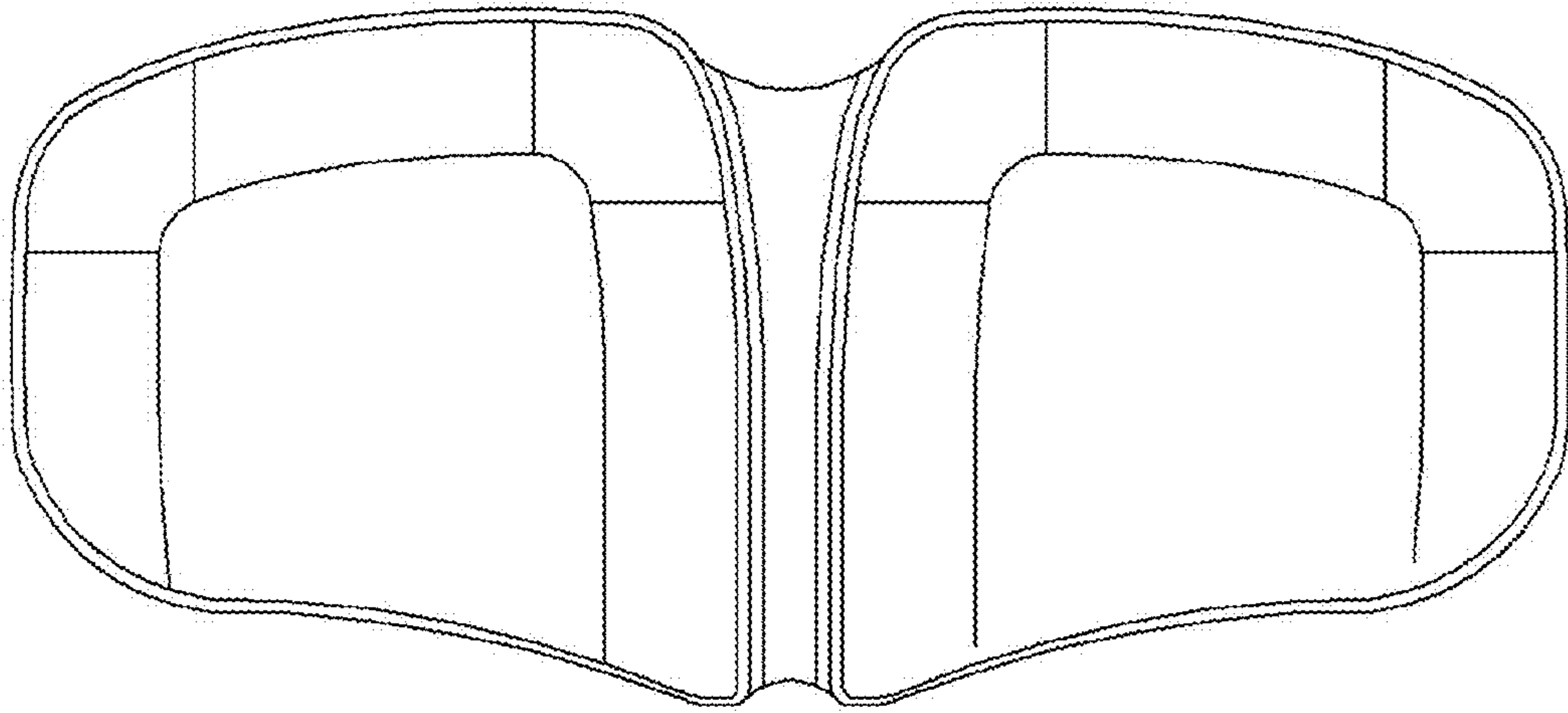


FIG. 5

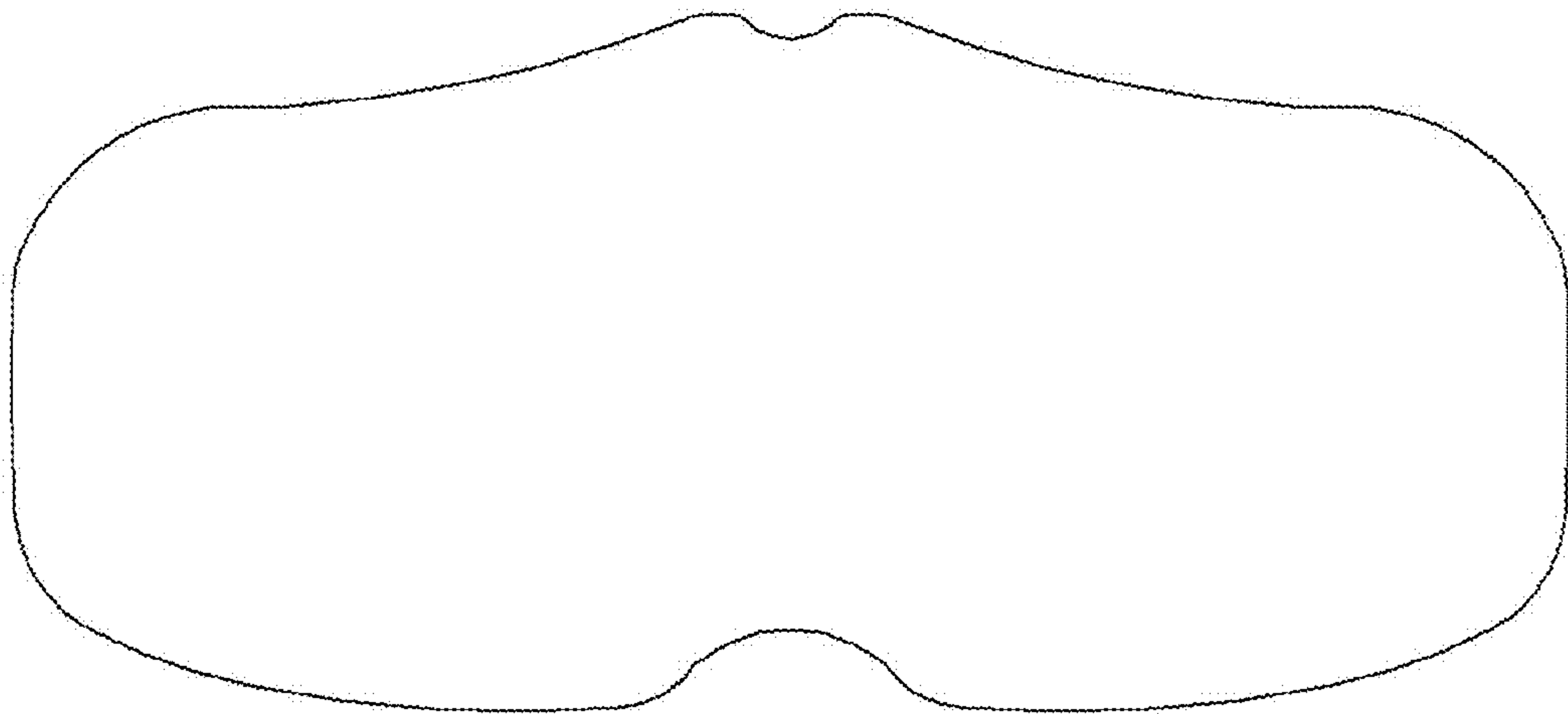


FIG. 6

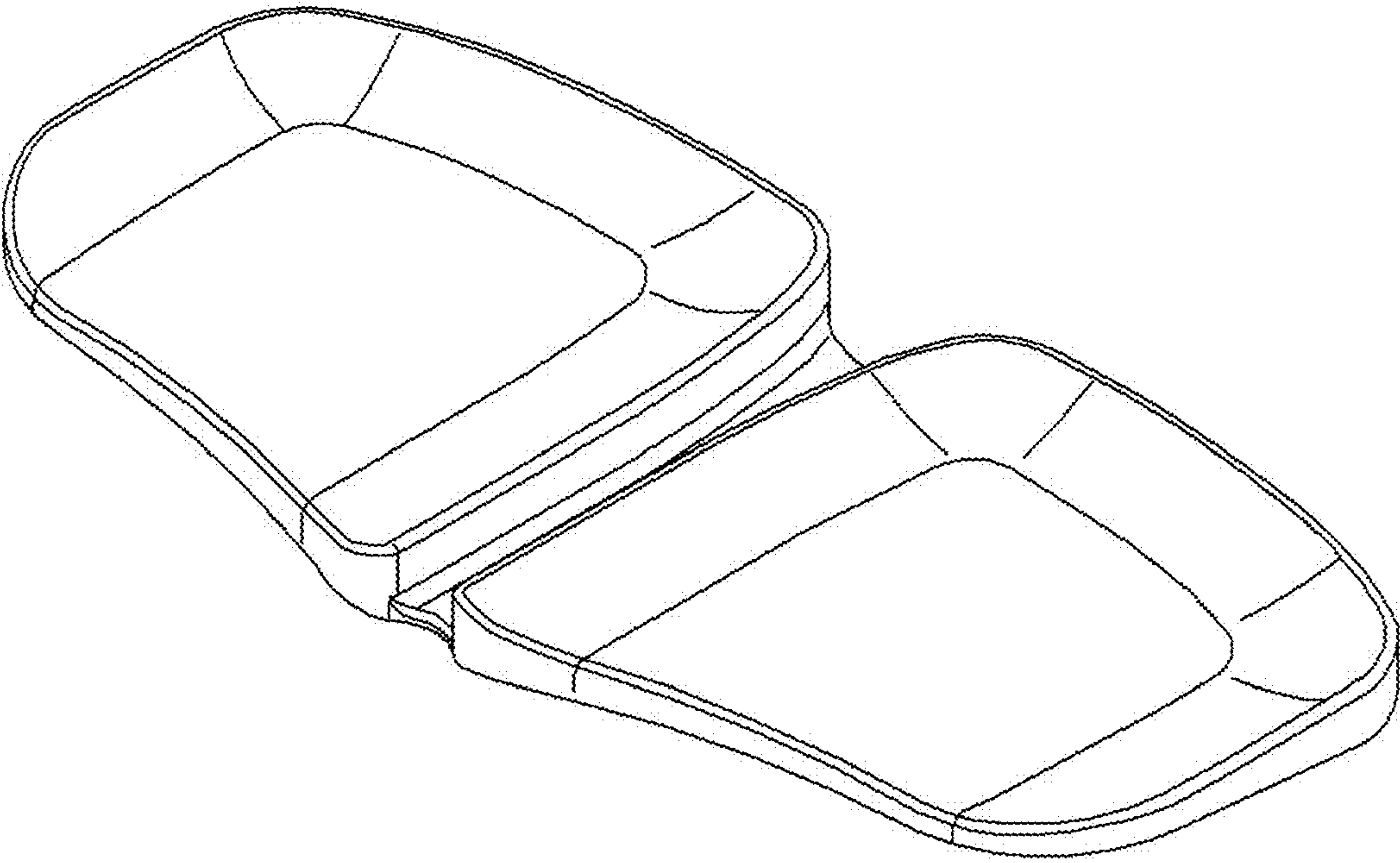


FIG. 7

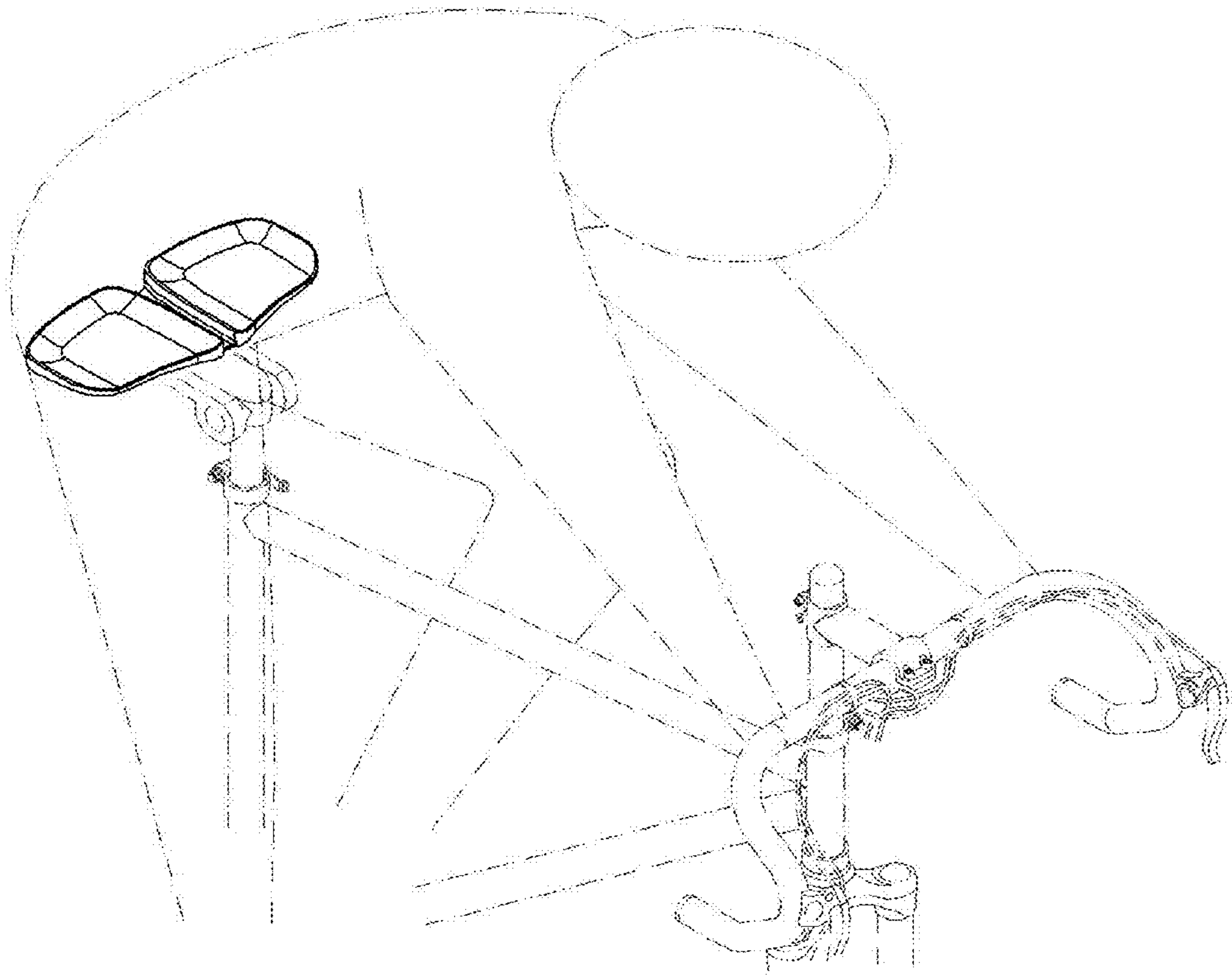


FIG. 8