



US00D629616S

(12) **United States Design Patent**
Vasilakes

(10) **Patent No.:** **US D629,616 S**
(45) **Date of Patent:** **** Dec. 28, 2010**

(54) **LINT ROLLER**

D575,065 S * 8/2008 Benson et al. D4/122

(75) Inventor: **Lloyd S. Vasilakes**, Stillwater, MN (US)

FOREIGN PATENT DOCUMENTS

(73) Assignee: **3M Innovative Properties Company**,
St. Paul, MN (US)

KR 30-0331890 * 8/2003

* cited by examiner

(**) Term: **14 Years**

Primary Examiner—Nanda Bondade

(74) *Attorney, Agent, or Firm*—Trisha D. Adamson

(21) Appl. No.: **29/332,320**

(57) **CLAIM**

(22) Filed: **Feb. 12, 2009**

The ornamental design for a lint roller, as shown and described.

(51) **LOC (9) Cl.** **04-01**

(52) **U.S. Cl.** **D4/122**

(58) **Field of Classification Search** D4/105,
D4/122, 128, 138; 15/104.002, 230.11, 230.12,
15/114; 206/400; 492/13, 16, 17, 19, 29
See application file for complete search history.

DESCRIPTION

FIG. 1 is a perspective view showing the new design for a lint roller;

FIG. 2 is a top view thereof, the bottom view being a mirror image thereof;

FIG. 3 is a right side view thereof, the left side view being a mirror image thereof;

FIG. 4 is a rear view thereof; and,

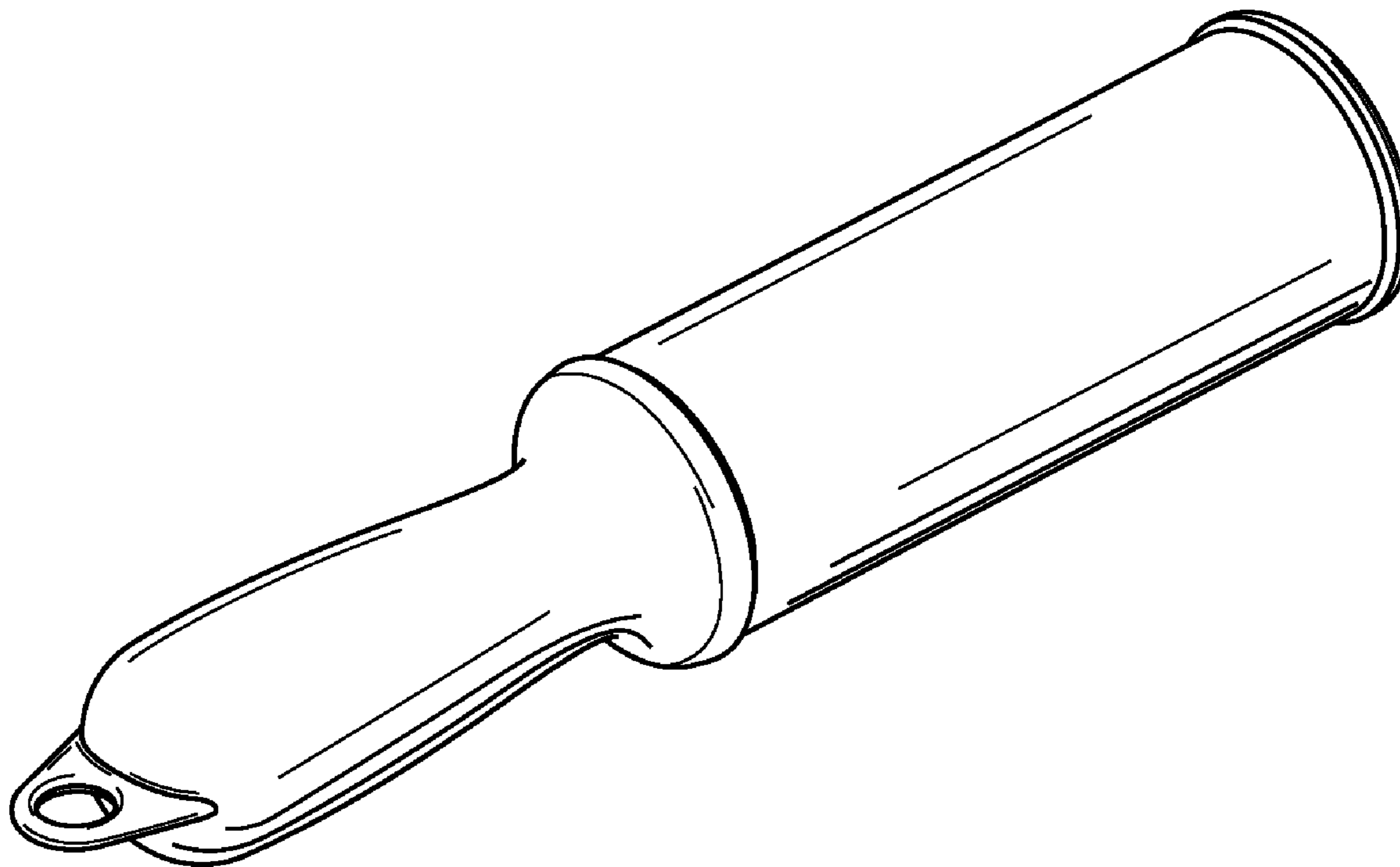
FIG. 5 is a front view thereof.

(56) **References Cited**

U.S. PATENT DOCUMENTS

3,343,194 A * 9/1967 Ramelson 15/104.002
5,940,921 A * 8/1999 Wood et al. 15/104.002
6,427,278 B1 * 8/2002 McKay, Jr. 15/104.002
D468,540 S * 1/2003 Jessen D4/122

1 Claim, 1 Drawing Sheet



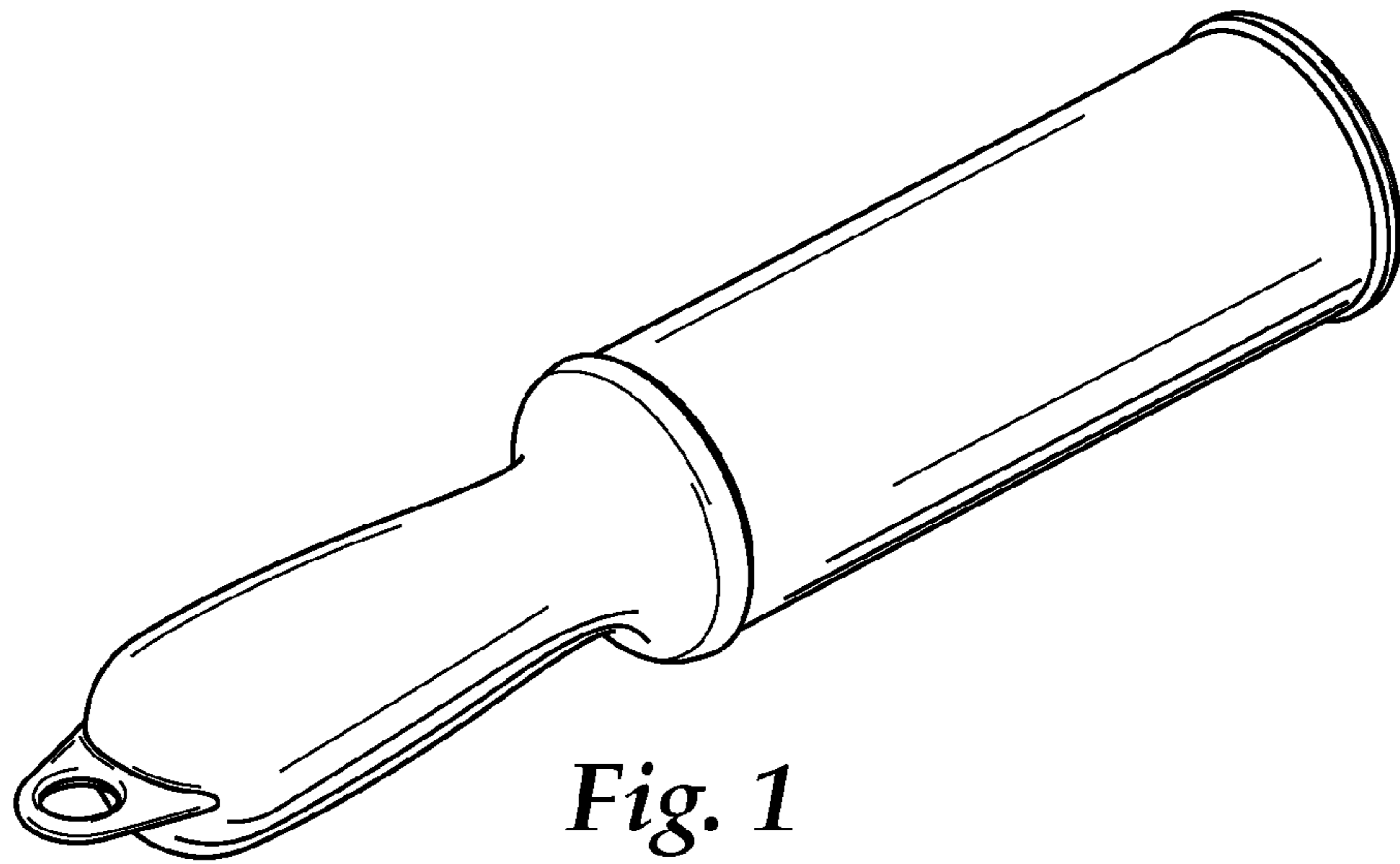


Fig. 1

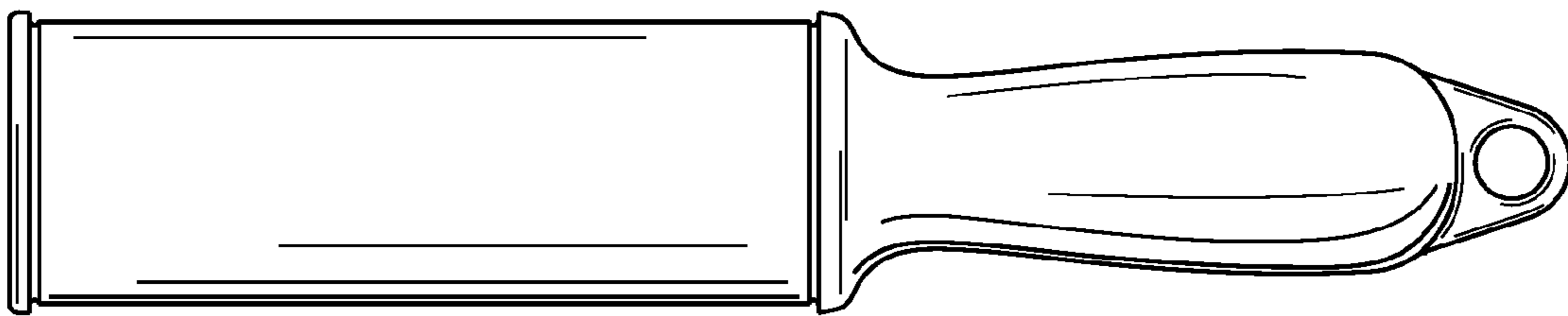


Fig. 2

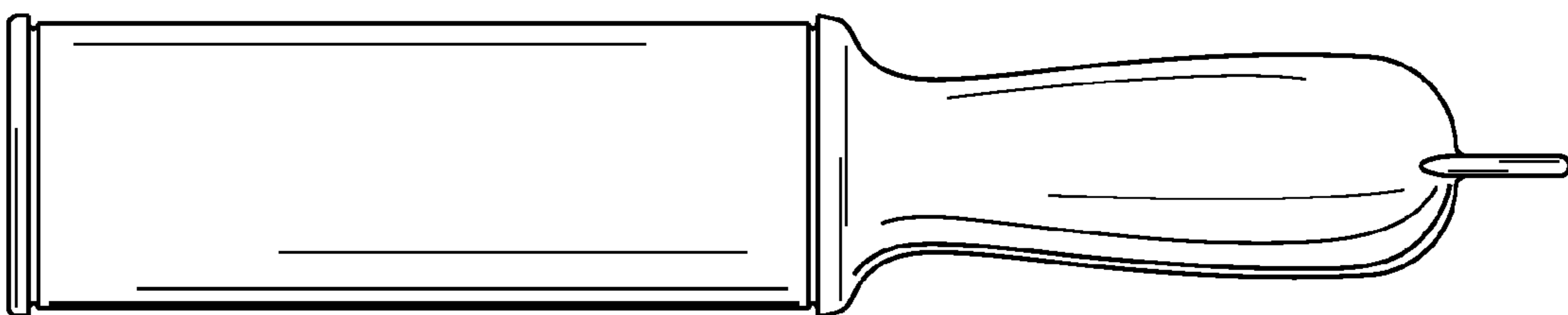


Fig. 3

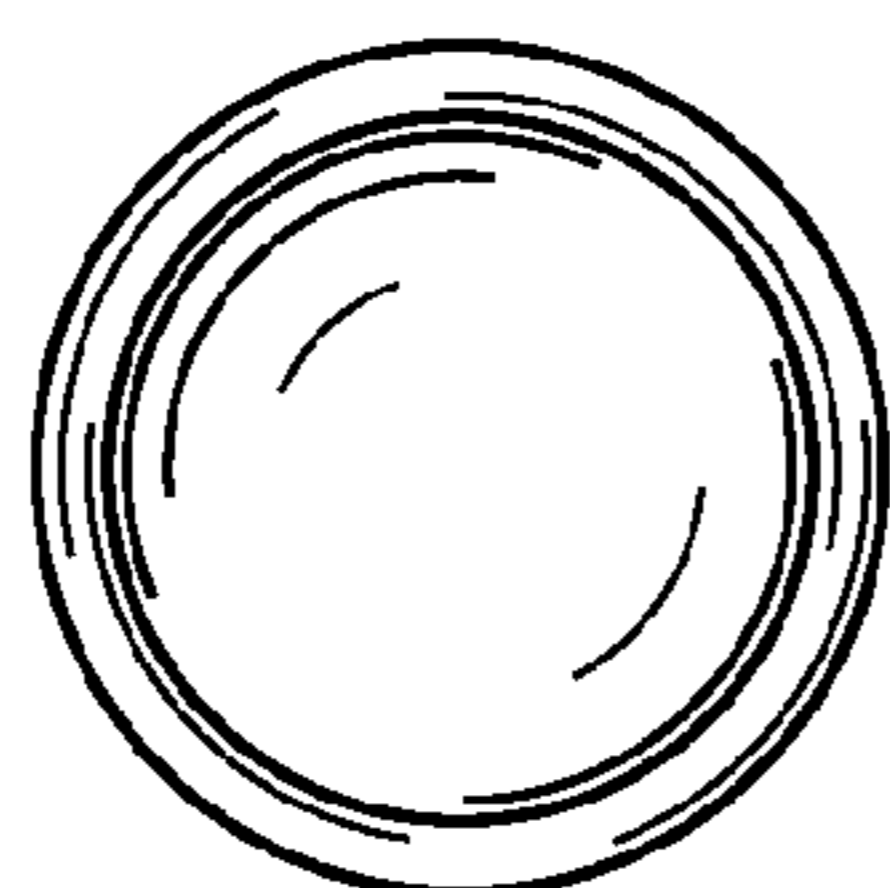


Fig. 4

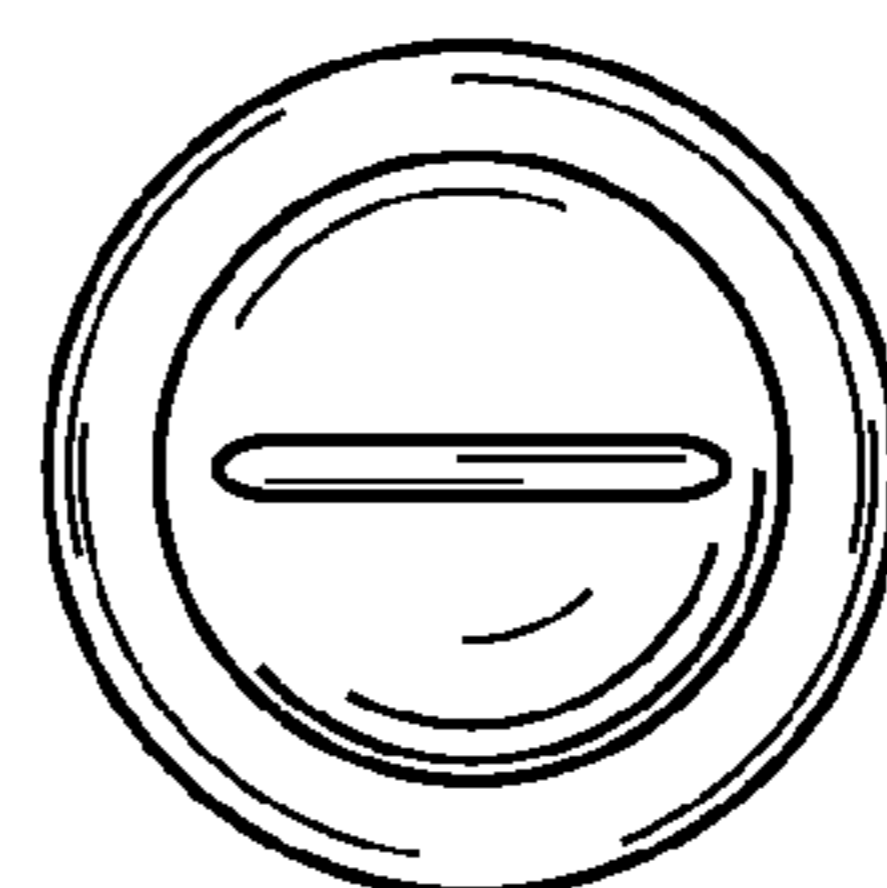


Fig. 5