



US00D629613S

(12) **United States Design Patent**  
**Murray**

(10) **Patent No.:** **US D629,613 S**

(45) **Date of Patent:** **\*\* Dec. 28, 2010**

(54) **UTILITY PACK**

(75) Inventor: **Kevin Murray**, Portland, OR (US)

(73) Assignee: **Columbia Sportswear North America, Inc.**, Portland, OR (US)

(\*\*) Term: **14 Years**

(21) Appl. No.: **29/346,714**

(22) Filed: **Nov. 4, 2009**

(51) **LOC (9) Cl.** ..... **03-01**

(52) **U.S. Cl.** ..... **D3/328**

(58) **Field of Classification Search** ..... D3/232-233,  
D3/318, 324, 301, 315-316

See application file for complete search history.

(56) **References Cited**

U.S. PATENT DOCUMENTS

D554,853 S \* 11/2007 Bihn ..... D3/217  
D569,621 S \* 5/2008 Morelli ..... D3/318

\* cited by examiner

*Primary Examiner*—Holly H Baynham

(74) *Attorney, Agent, or Firm*—Schwabe, Williamson & Wyatt, P.C.

(57) **CLAIM**

I claim an ornamental design for a utility pack or the like, as shown and described.

**DESCRIPTION**

FIG. 1 is a front pictorial view of a utility pack showing the claimed design in association with the remainder of the utility pack shown in broken lines;

FIG. 2 is a rear pictorial view thereof with the waist band splayed outward;

FIG. 3 is a left side pictorial view thereof;

FIG. 4 is a top elevational pictorial view thereof;

FIG. 5 is a right side pictorial view thereof;

FIG. 6 is a bottom elevational pictorial view thereof; and,

FIG. 7 is a fourth front pictorial view of a utility pack showing the claimed design in association with the remainder of the utility pack shown in broken lines.

**1 Claim, 3 Drawing Sheets**

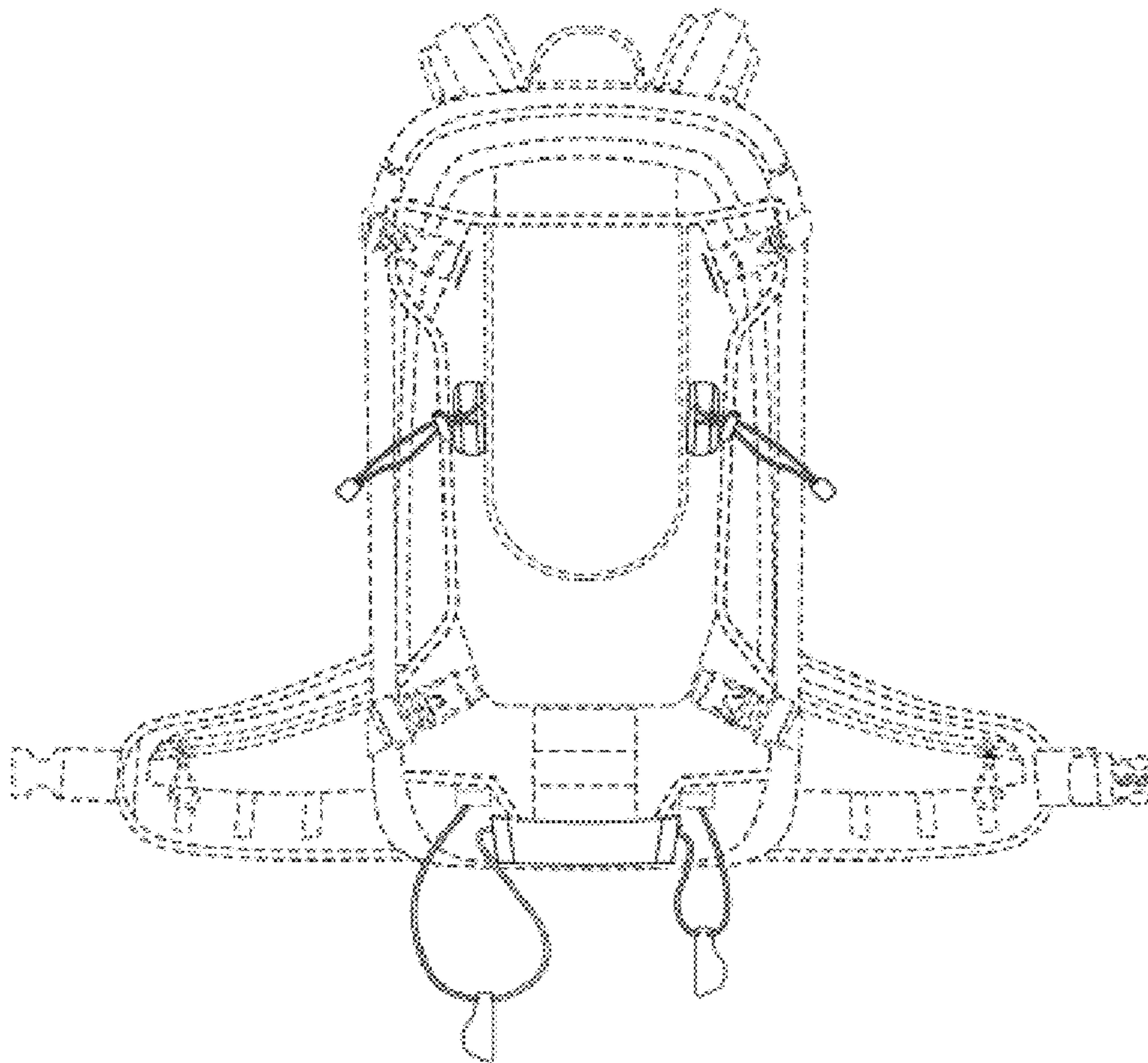


FIGURE 1

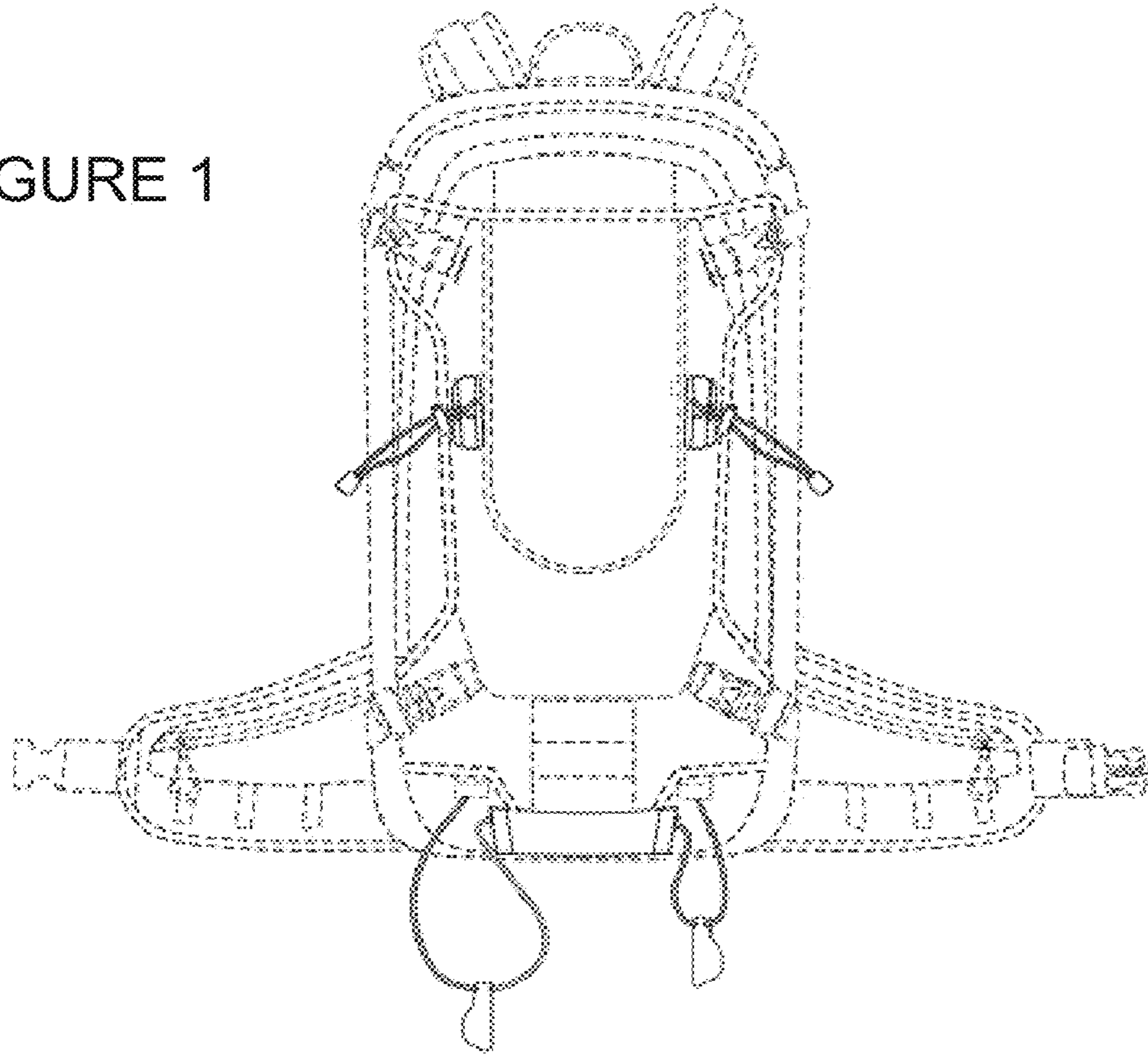


FIGURE 2

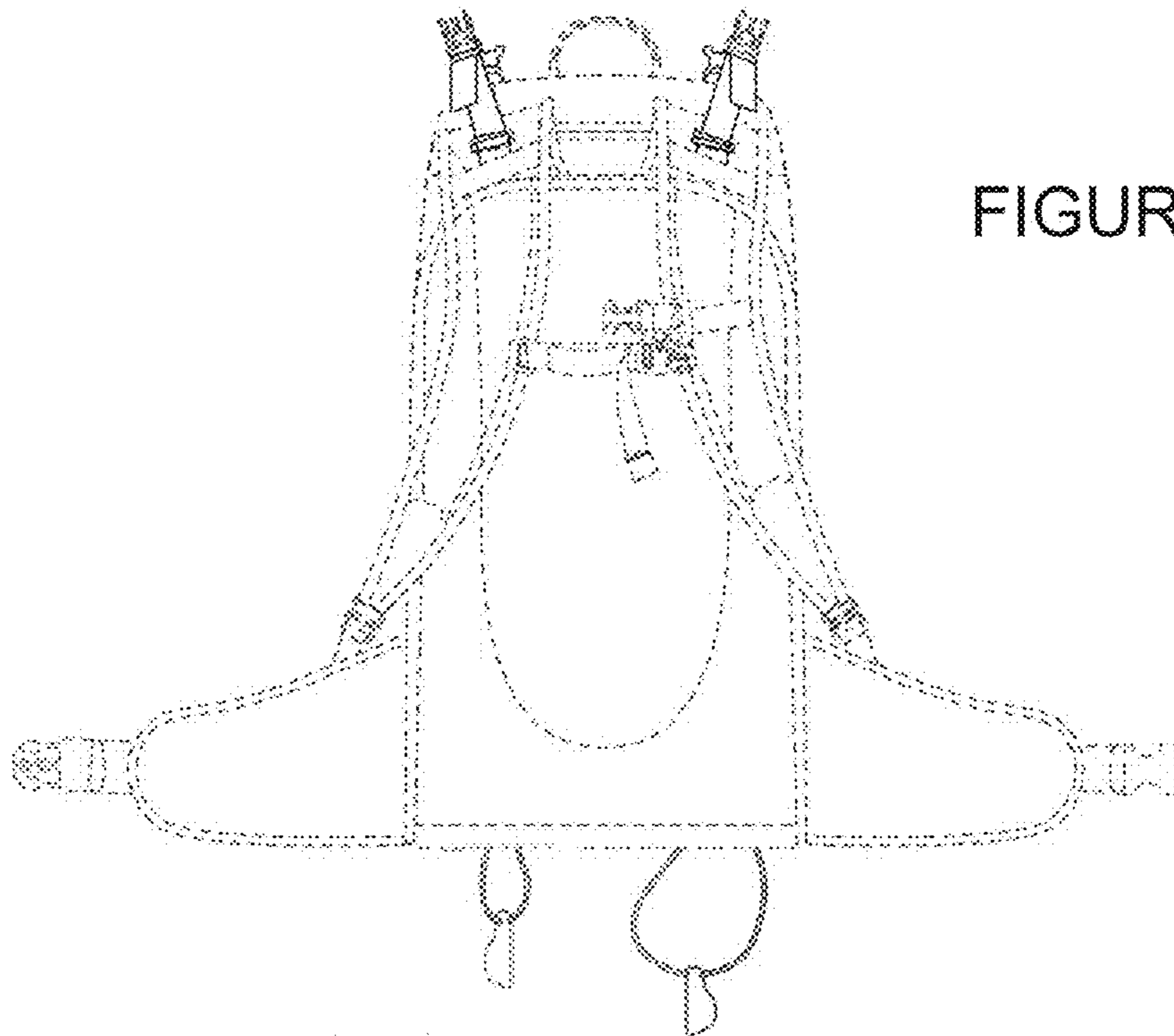


FIGURE 3

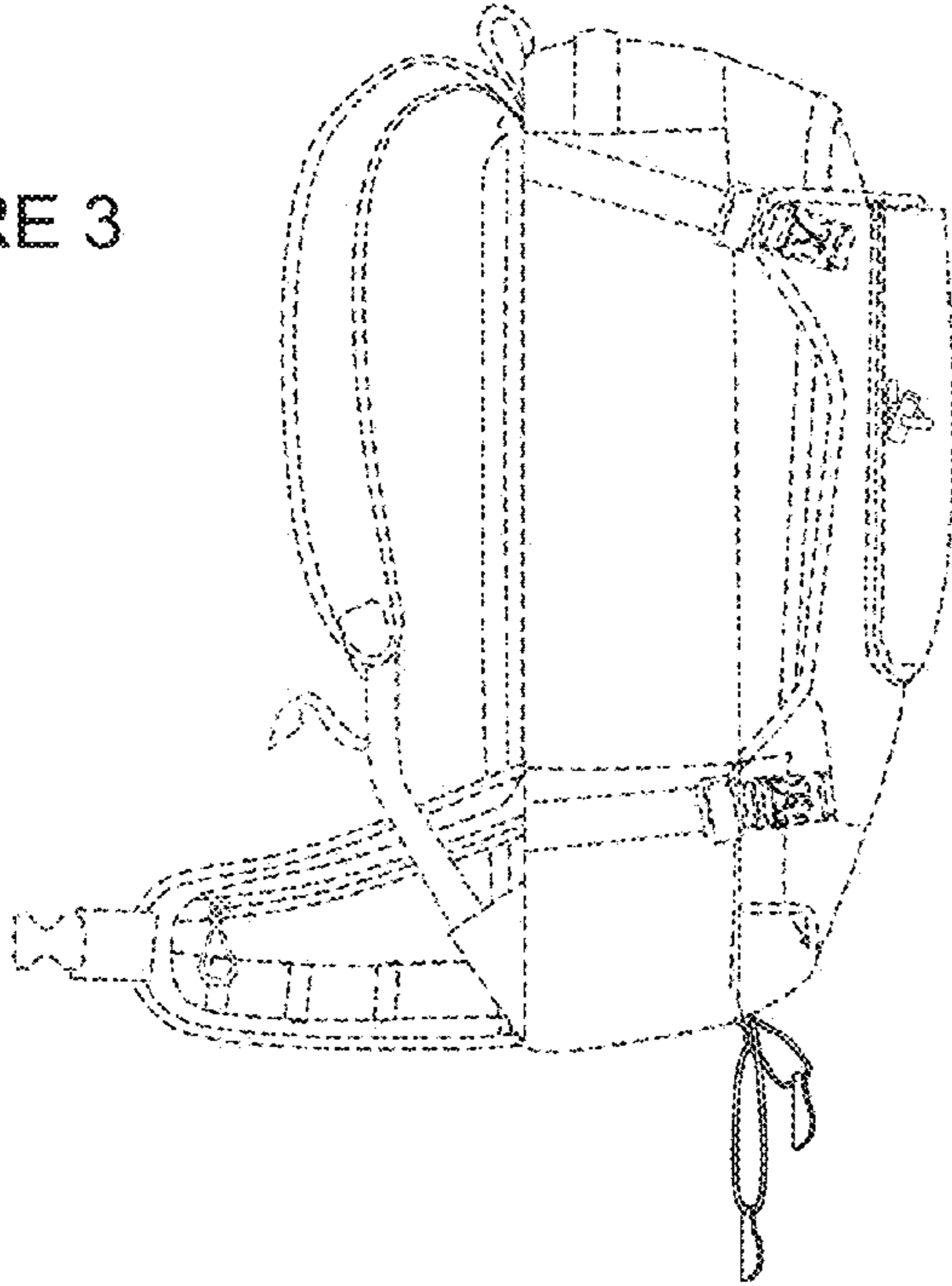


FIGURE 4

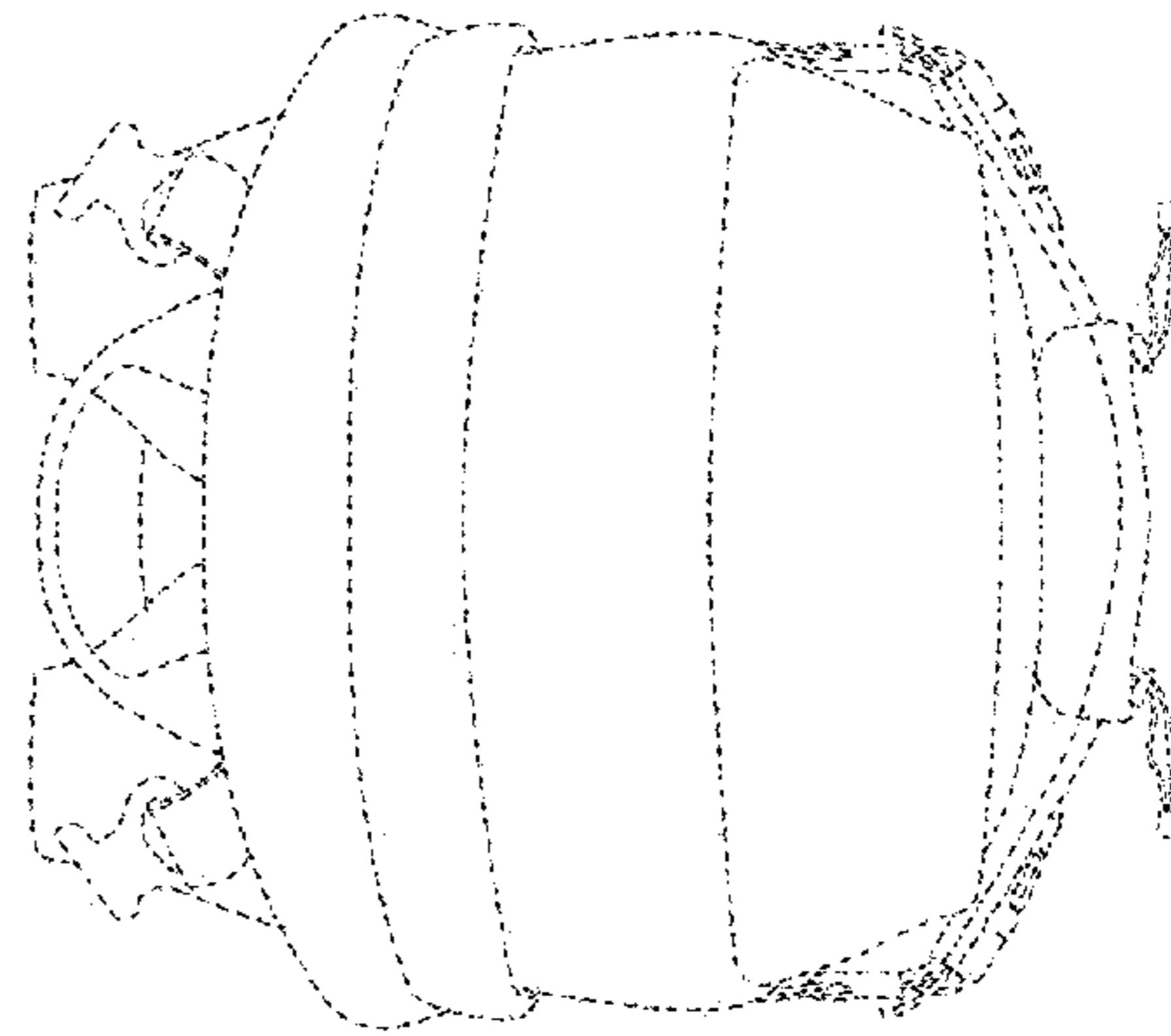


FIGURE 6

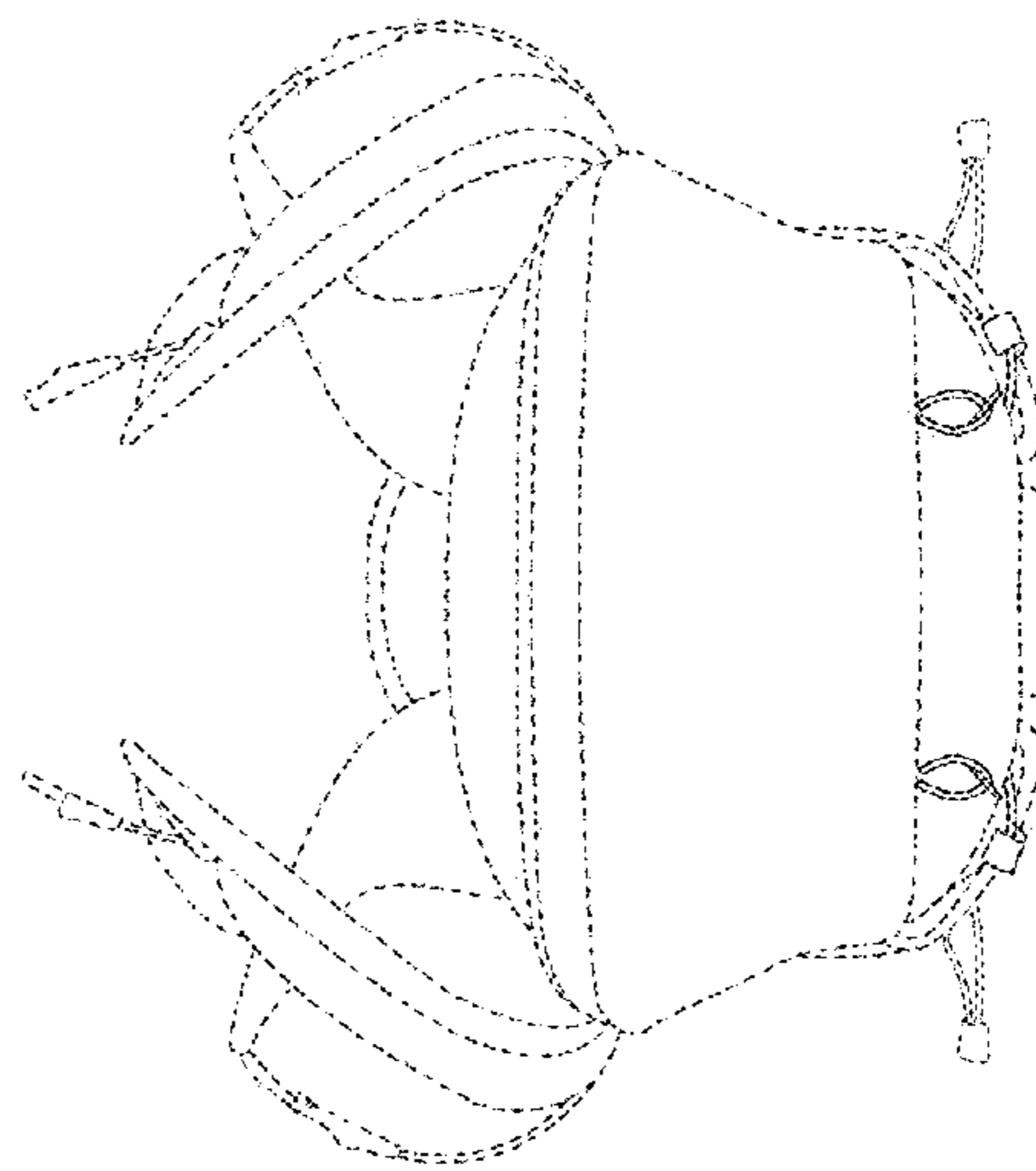


FIGURE 5

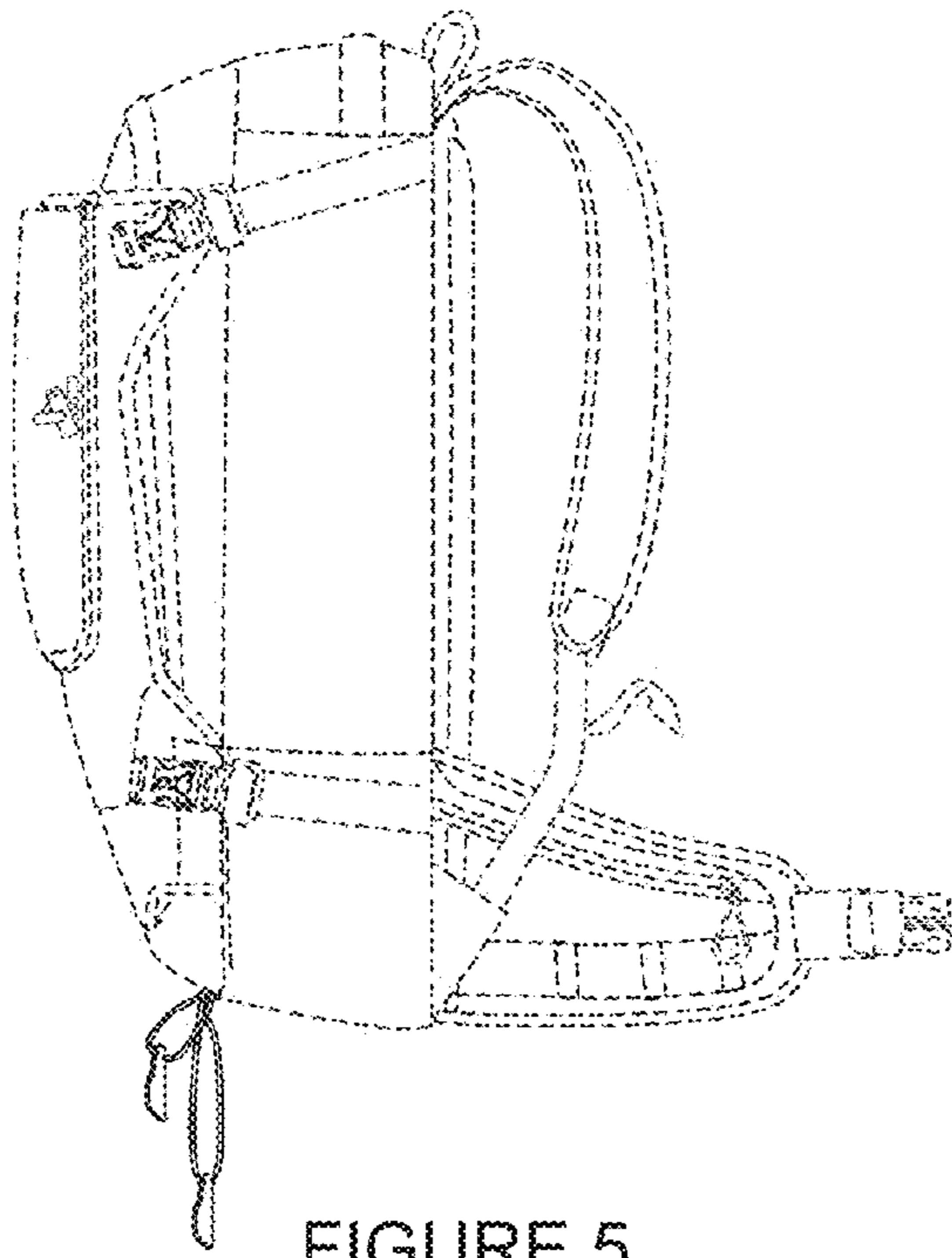


FIGURE 7

