



US00D629612S

(12) **United States Design Patent**
Weldon

(10) **Patent No.:** **US D629,612 S**

(45) **Date of Patent:** **** Dec. 28, 2010**

(54) **HAND BAG**

(76) **Inventor:** **Mark P. Weldon**, 4938 Look Kinney Cir., Liverpool, NY (US) 13088

(**) **Term:** **14 Years**

(21) **Appl. No.:** **29/363,739**

(22) **Filed:** **Jun. 14, 2010**

(51) **LOC (9) Cl.** **03-01**

(52) **U.S. Cl.** **D3/318**

(58) **Field of Classification Search** D3/232-233,
D3/240-246, 318, 324; 150/100, 103-110,
150/113-114, 118-119

See application file for complete search history.

(56) **References Cited**

U.S. PATENT DOCUMENTS

D224,072 S * 6/1972 Rosenblum D3/242
D593,320 S * 6/2009 Guyon et al. D3/232
7,607,461 B2 * 10/2009 Pace et al. 150/105

* cited by examiner

Primary Examiner—Holly H Baynham
(74) *Attorney, Agent, or Firm*—George R. McGuire; David L. Nocilly; Bond Schoeneck & King, PLLC

(57) **CLAIM**

The ornamental design for a hand bag, as shown and described.

DESCRIPTION

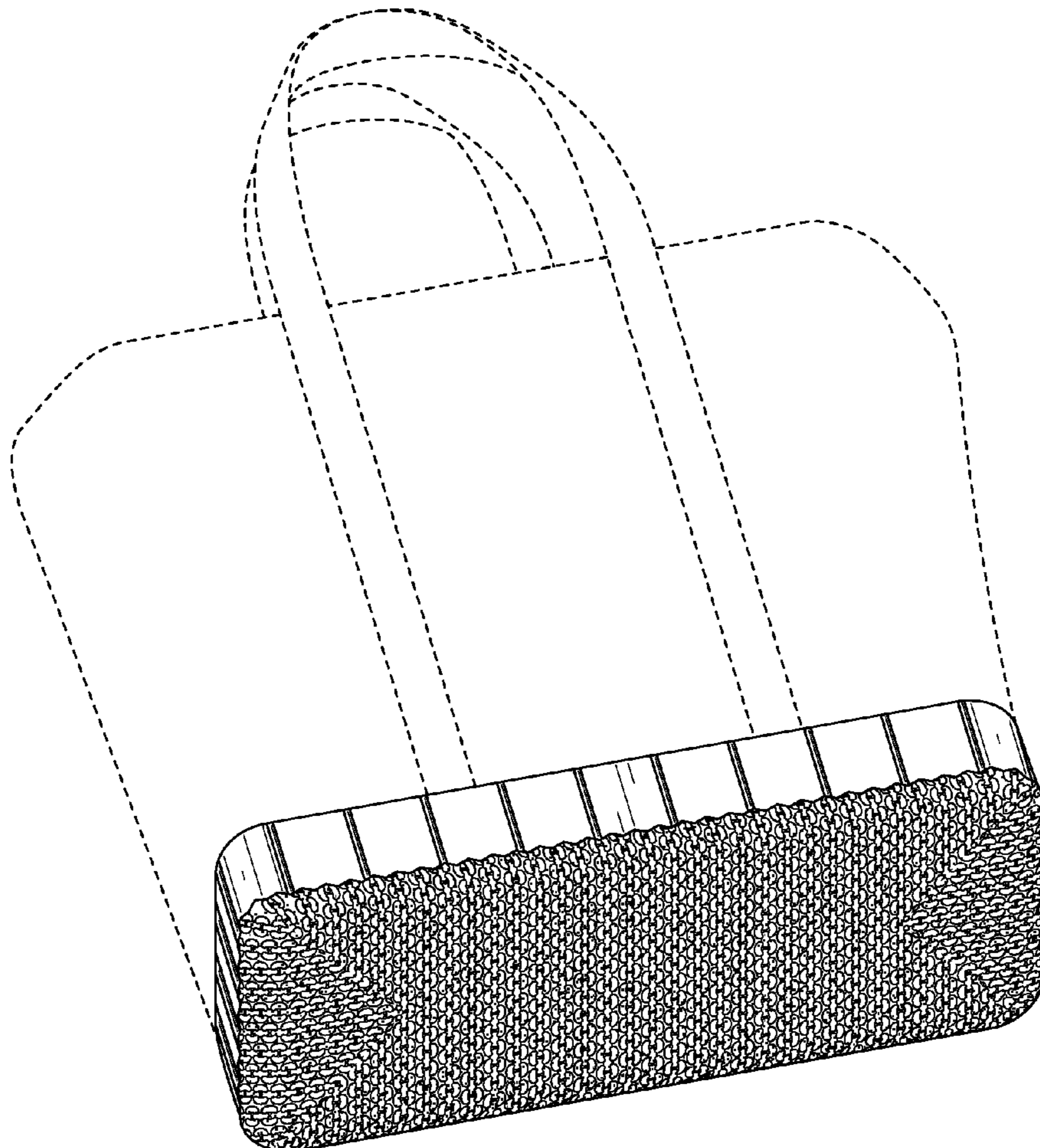
FIG. 1 is a perspective view of a new and ornamental design for a hand bag, with portions shown in phantom is included for the purpose of illustrating environment and forms no part of the claimed design;

FIG. 2 is a front elevation view thereof, the rear elevation being a mirror image;

FIG. 3 is a side elevation view thereof, with opposite side elevation being a mirror image; and,

FIG. 4 is a bottom plan view thereof.

1 Claim, 4 Drawing Sheets



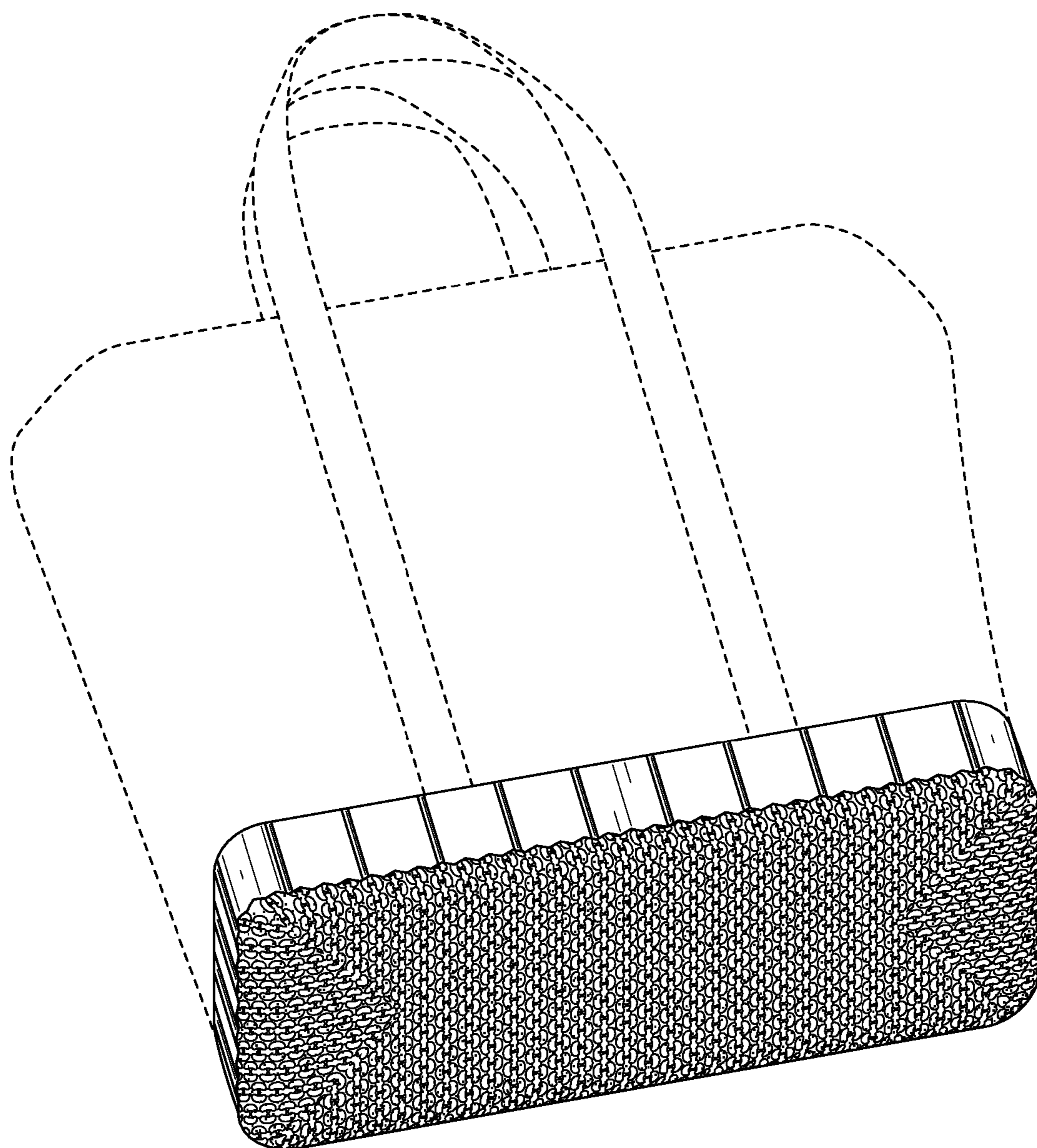


FIG. 1

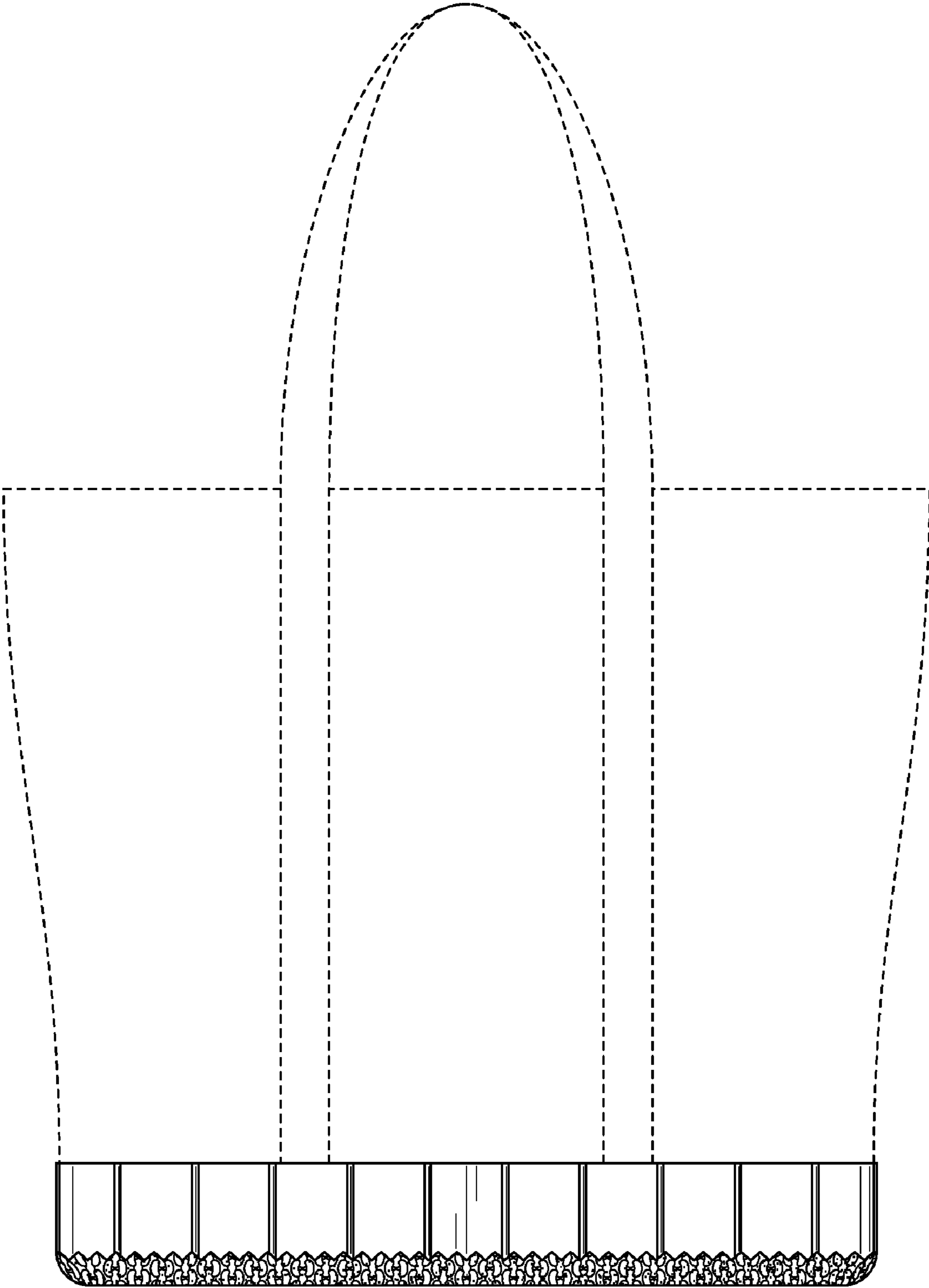


FIG. 2

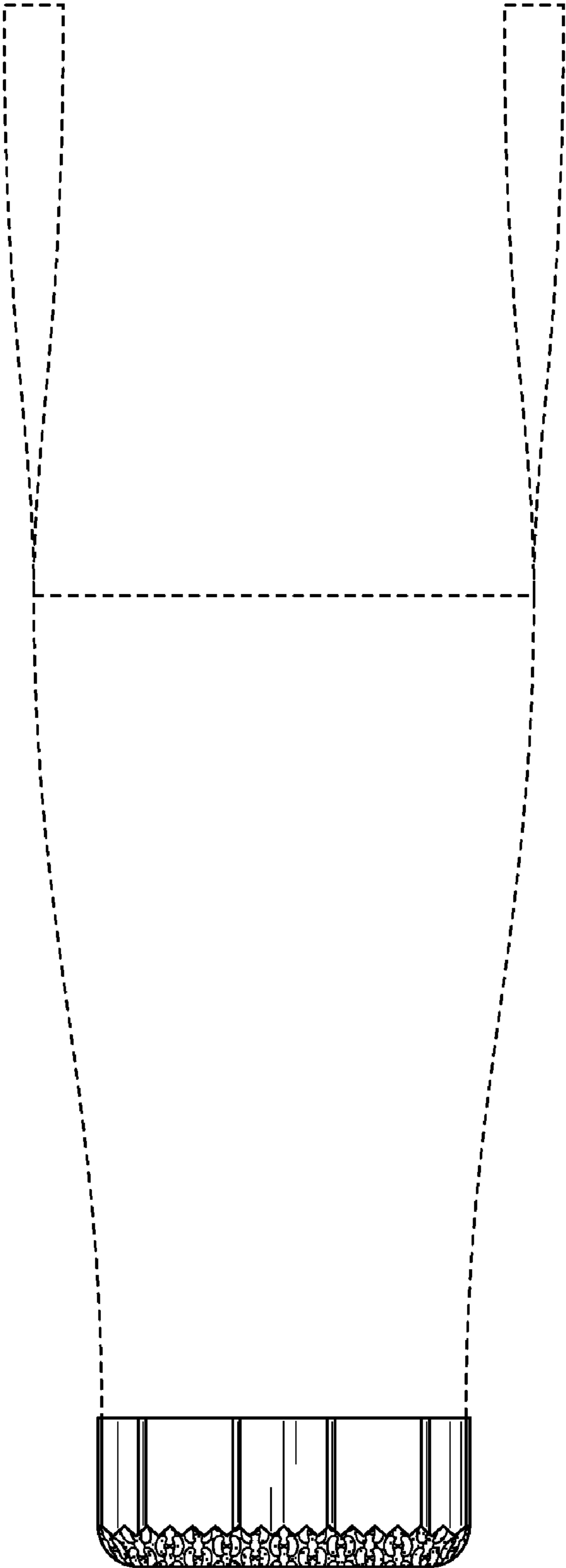


FIG. 3

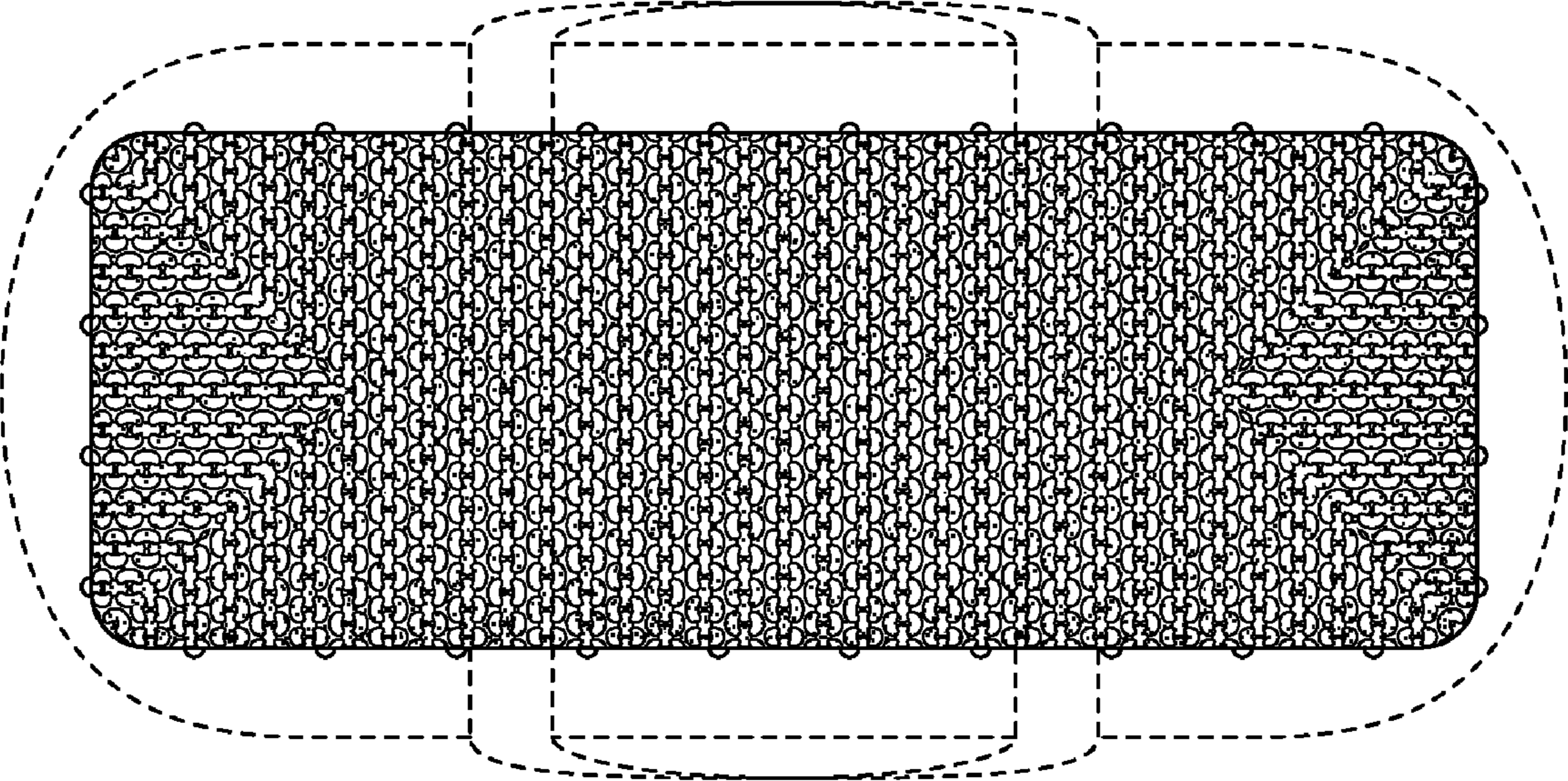


FIG. 4