



US00D629611S

(12) **United States Design Patent**
Ellins

(10) **Patent No.:** **US D629,611 S**

(45) **Date of Patent:** **** Dec. 28, 2010**

(54) **SACHEL LINER**

Primary Examiner—Holly H Baynham

(76) **Inventor:** **Chris Ellins**, 647 Piccadilly Street,
London, ON (CA) N5Y 3H1

(57) **CLAIM**

The ornamental design for a satchel liner, as shown and described.

(**) **Term:** **14 Years**

(21) **Appl. No.:** **29/358,821**

(22) **Filed:** **Apr. 1, 2010**

DESCRIPTION

(51) **LOC (9) Cl.** **03-01**

FIG. 1 is a rear elevational view of the present design a satchel liner.

(52) **U.S. Cl.** **D3/318**

FIG. 2 is front elevational view of the present design the satchel liner shown in FIG. 1.

(58) **Field of Classification Search** D3/232–233,
D3/240–246, 318, 324; 150/100, 103–110,
150/113, 114, 118–119

FIG. 3 is a right side elevational view of the present design the satchel liner shown in FIG. 1.

See application file for complete search history.

FIG. 4 is an enlarged top, front, right perspective view of the present design of the satchel liner shown in FIG. 1.

(56) **References Cited**

U.S. PATENT DOCUMENTS

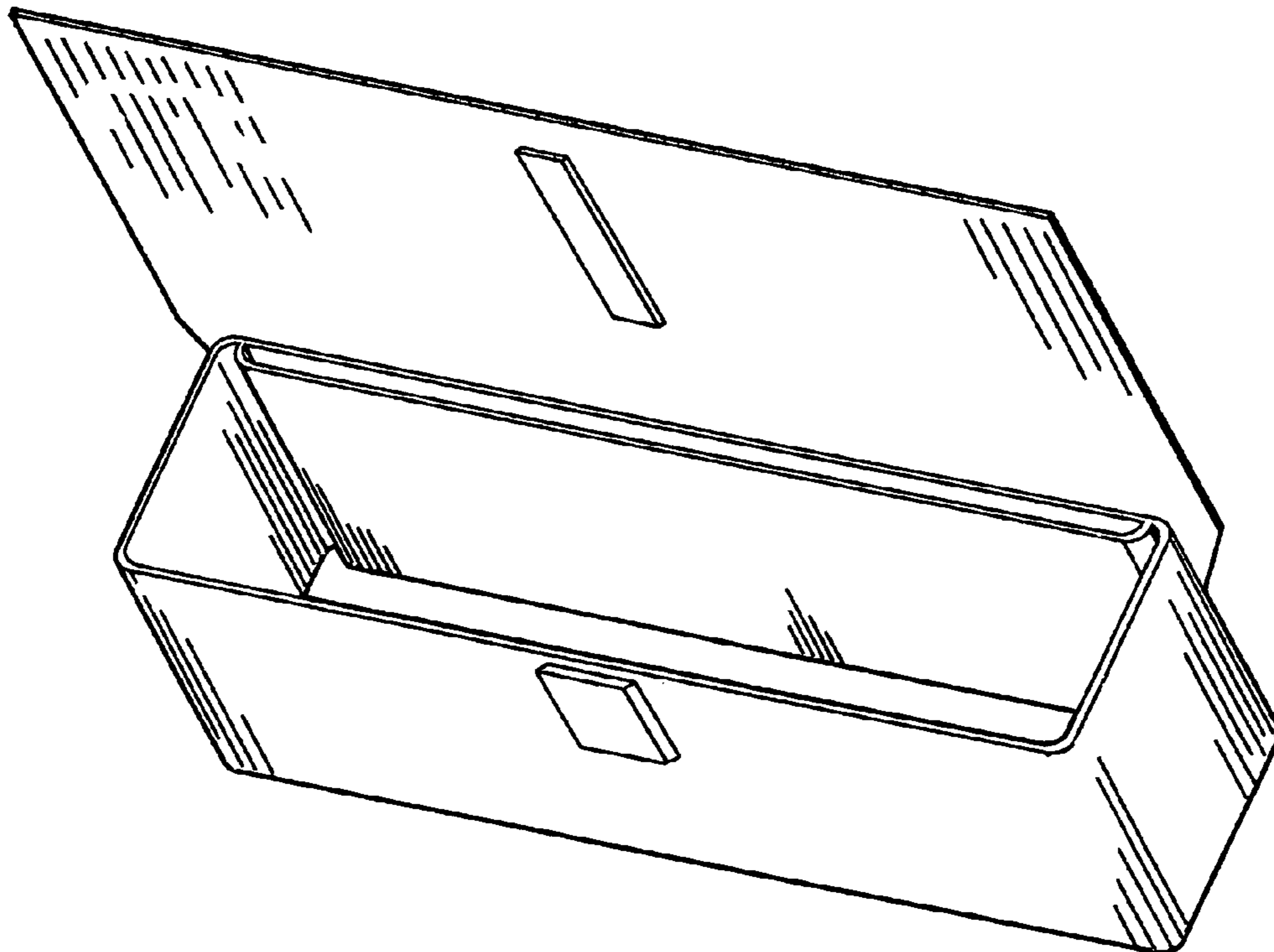
3,451,454	A *	6/1969	Davis	150/113
D232,873	S *	9/1974	Lecube	D3/242
6,029,723	A *	2/2000	Baquero et al.	150/105
6,968,880	B2 *	11/2005	Battaglia et al.	150/103
7,086,437	B1 *	8/2006	Michael	150/103

FIG. 5 is a top rear right perspective view of the present design the satchel liner shown in FIG. 1; and,

FIG. 6 is a bottom front left perspective view of the present design the satchel liner shown in FIG. 1.

* cited by examiner

1 Claim, 4 Drawing Sheets



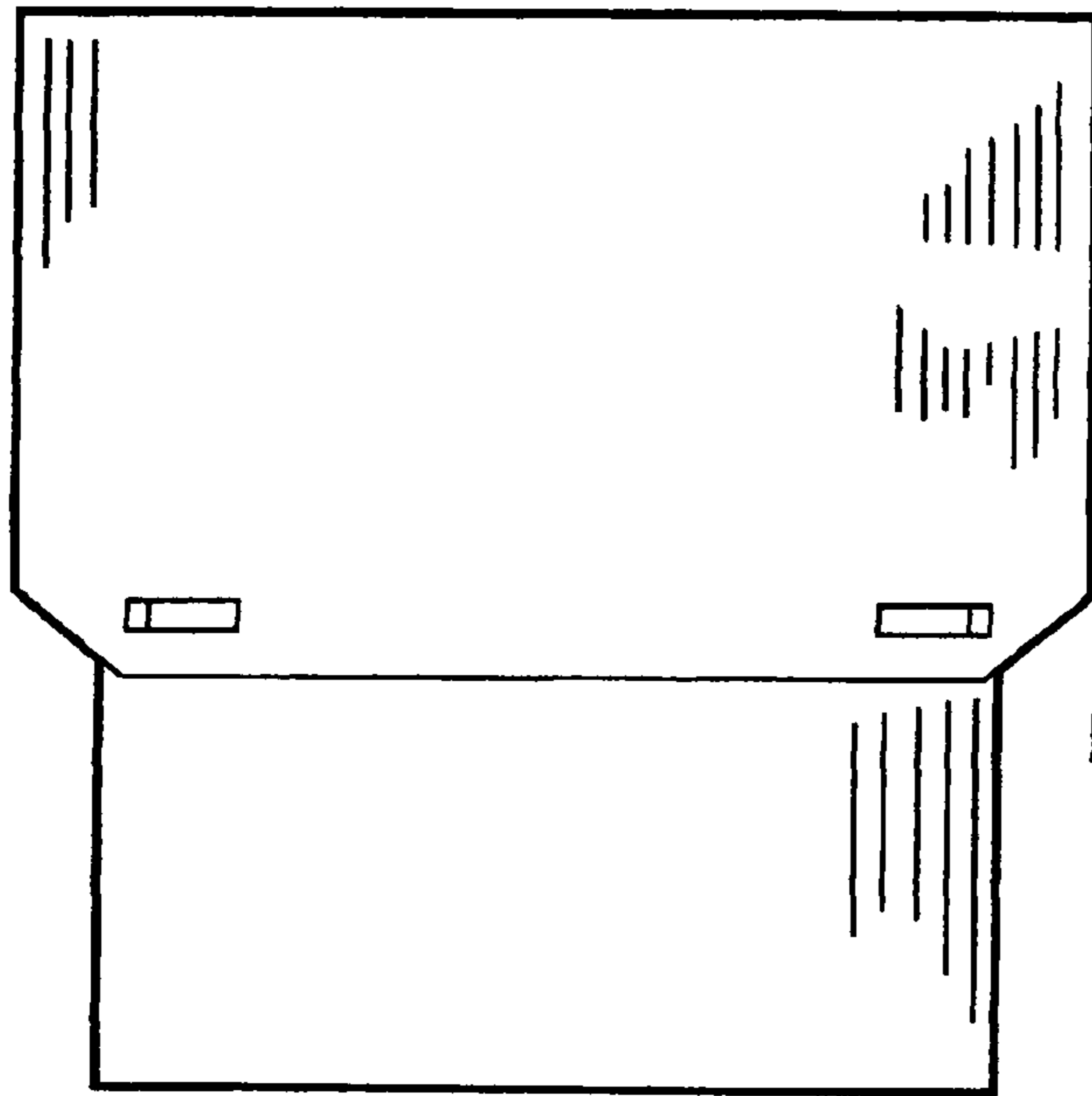


Fig. 1

Fig. 2

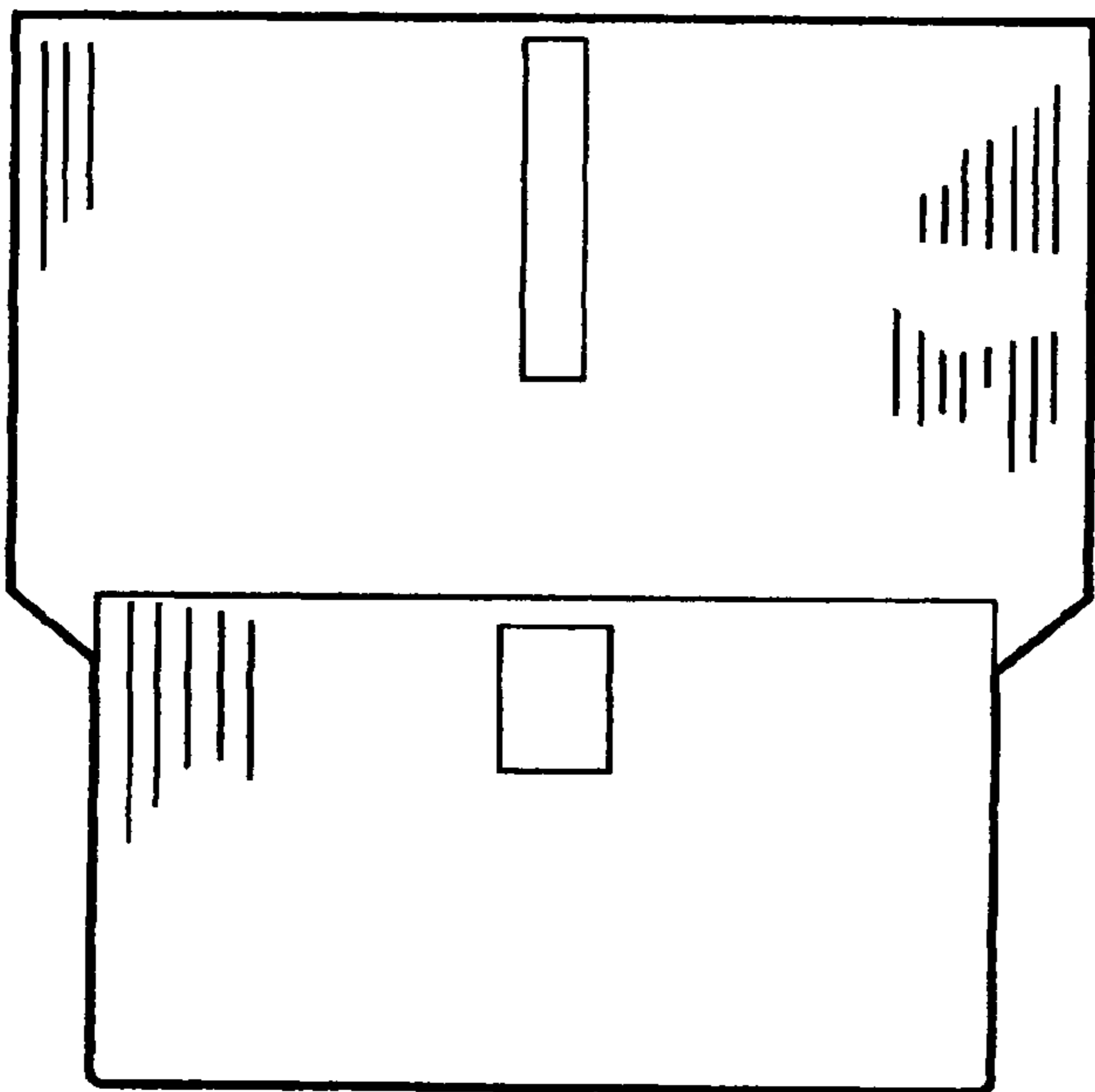
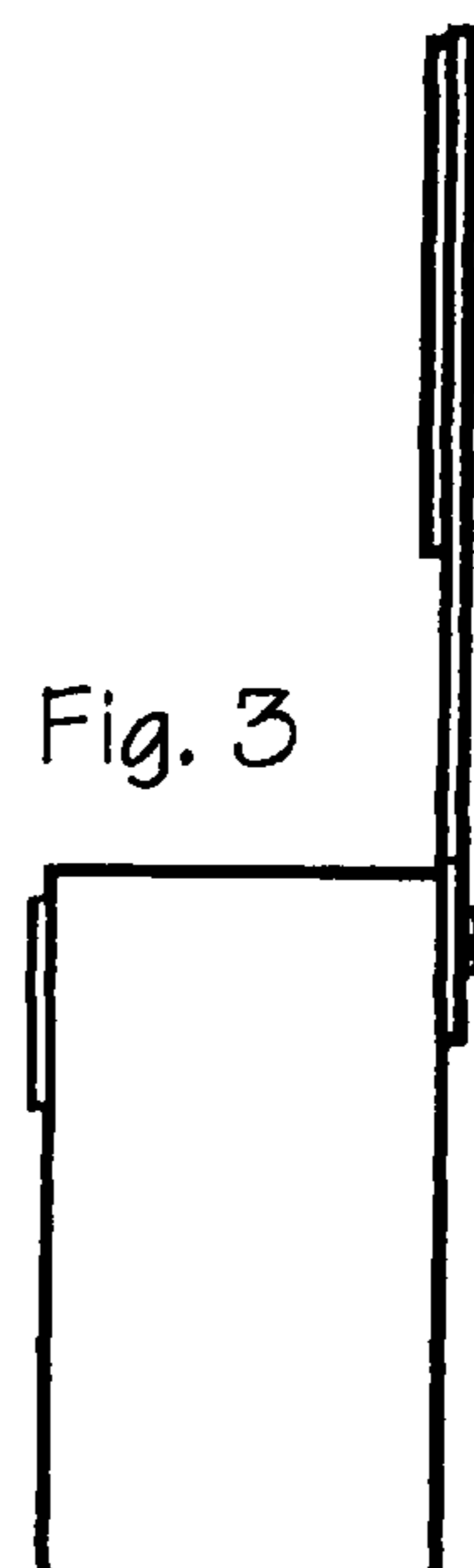


Fig. 3



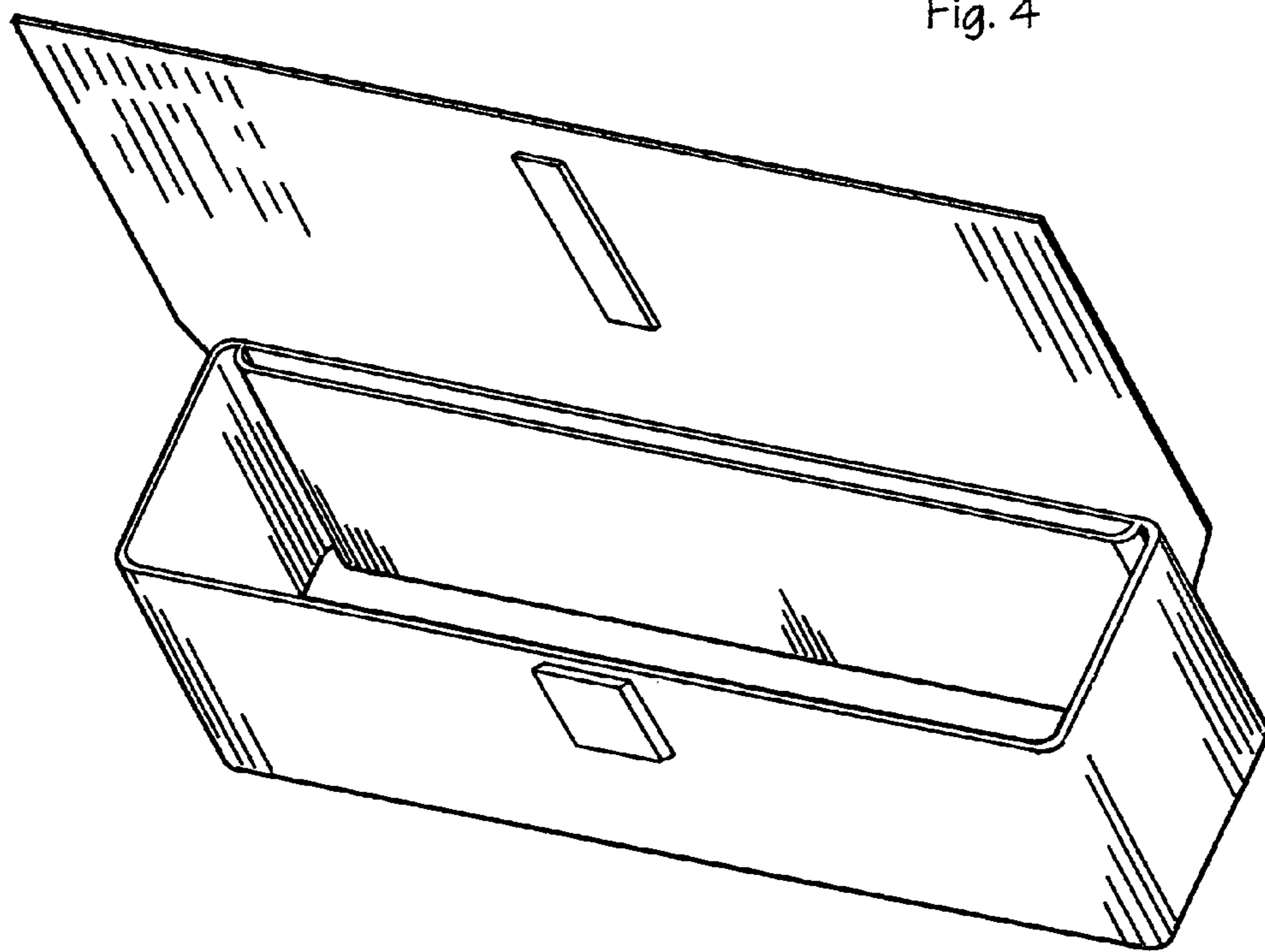


Fig. 5

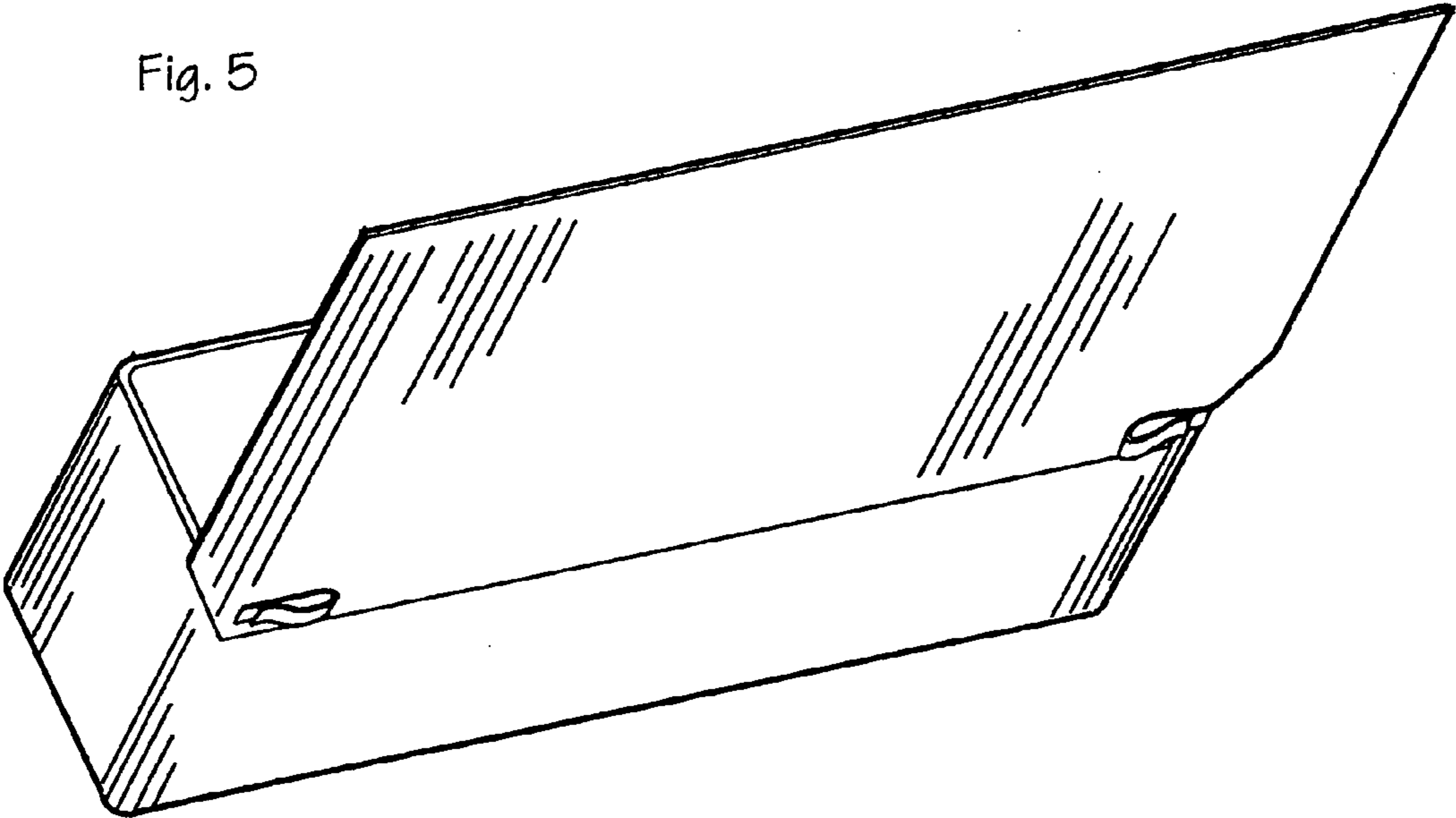


Fig. 6

