



US00D629607S

(12) **United States Design Patent**
Sabbag et al.

(10) **Patent No.:** **US D629,607 S**

(45) **Date of Patent:** **** Dec. 28, 2010**

(54) **TOOLBOX**

(75) Inventors: **Yosi Sabbag**, Holon (IL); **Mark Bensman**, Rosh Ha' Ayin (IL)

(73) Assignee: **The Stanley Works Israel Ltd.**, Rosh Ha' Ayin (IL)

(**) Term: **14 Years**

(21) Appl. No.: **29/353,547**

(22) Filed: **Jan. 11, 2010**

(51) **LOC (9) Cl.** **03-01**

(52) **U.S. Cl.** **D3/282; D3/905**

(58) **Field of Classification Search** D3/201,
D3/273, 274, 282–286, 293–295, 315, 905;
D9/415, 420–424; 206/349, 372–374, 379,
206/375, 377; 312/902

See application file for complete search history.

(56) **References Cited**

U.S. PATENT DOCUMENTS

3,612,335	A *	10/1971	Schurman	220/324
D378,874	S *	4/1997	Dickinson et al.	D3/281
5,685,421	A *	11/1997	Gilmore	206/216
D404,916	S *	2/1999	Dickinson et al.	D3/281
D411,351	S *	6/1999	Kohagen et al.	D3/281
D413,203	S *	8/1999	Zurwelle et al.	D3/276
D441,954	S *	5/2001	Parker	D3/279
D470,659	S *	2/2003	Story et al.	D3/291
D505,011	S *	5/2005	Einav	D3/274
7,243,793	B2 *	7/2007	Ho	206/373
D609,913	S *	2/2010	Landau	D3/321

* cited by examiner

Primary Examiner—Prabhakar Deshmukh

(74) Attorney, Agent, or Firm—Pillsbury Winthrop Shaw Pittman LLP

(57) **CLAIM**

The ornamental design for a toolbox, as shown and described.

DESCRIPTION

FIG. 1 is a perspective view of a tool box showing our new design;

FIG. 2 is a front plan view of the design of FIG. 1;

FIG. 3 is a rear plan view of the design of FIG. 1;

FIG. 4 is a left side plan view of the design of FIG. 1, with the right side being a mirror image;

FIG. 5 is a top plan view of the design of FIG. 1;

FIG. 6 is a bottom plan view of the design of FIG. 1;

FIG. 7 is a perspective view of a second embodiment of the tool box;

FIG. 8 is a front plan view of the design of FIG. 7;

FIG. 9 is a rear plan view of the design of FIG. 7;

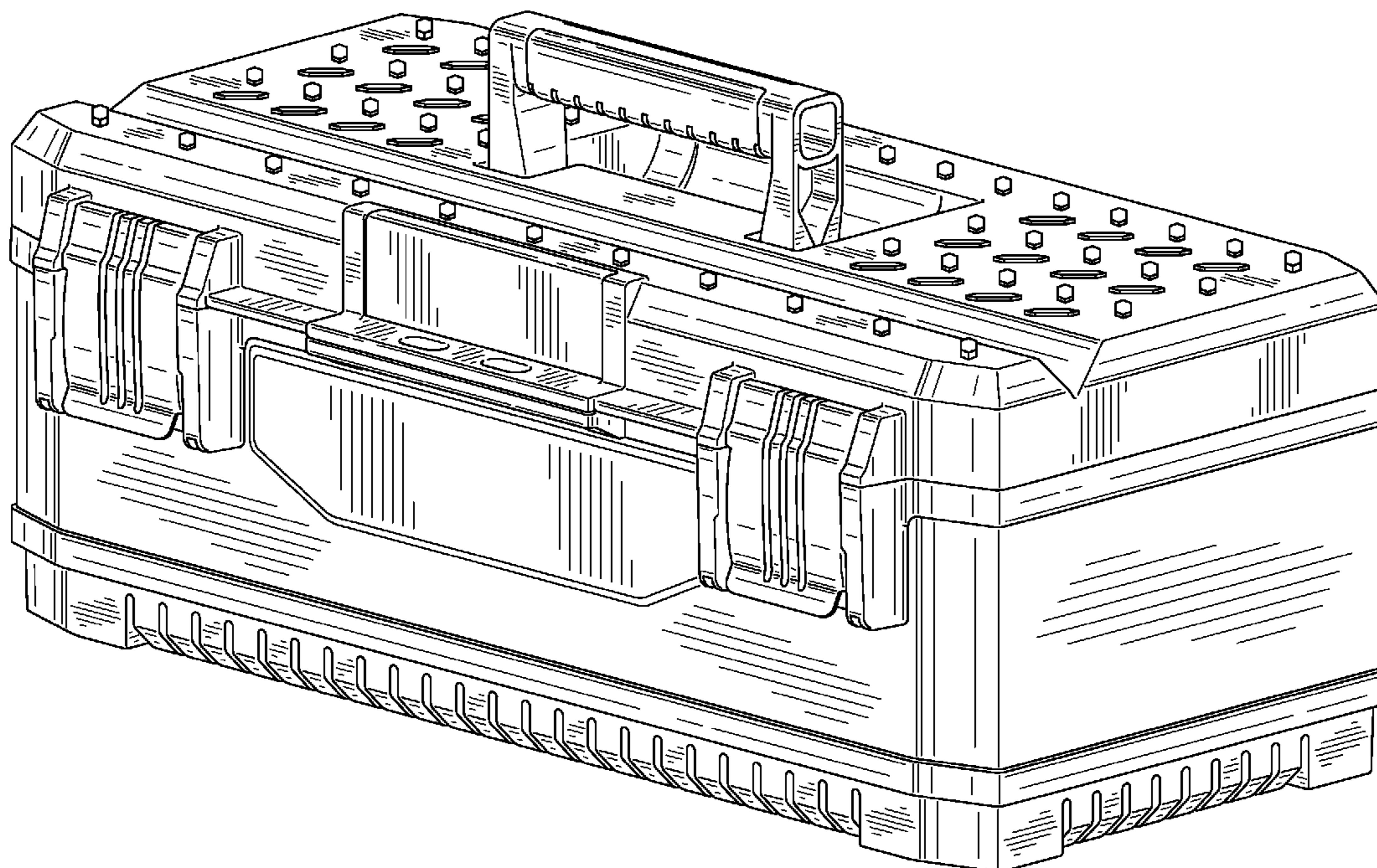
FIG. 10 is a left side plan view of the design of FIG. 7, with the right side being a mirror image;

FIG. 11 is a top plan view of the design of FIG. 7; and,

FIG. 12 is a bottom plan view of the design of FIG. 7.

Where included, broken lines showing environment or structure are for illustrative purposes only and form no part of the claimed design.

1 Claim, 12 Drawing Sheets



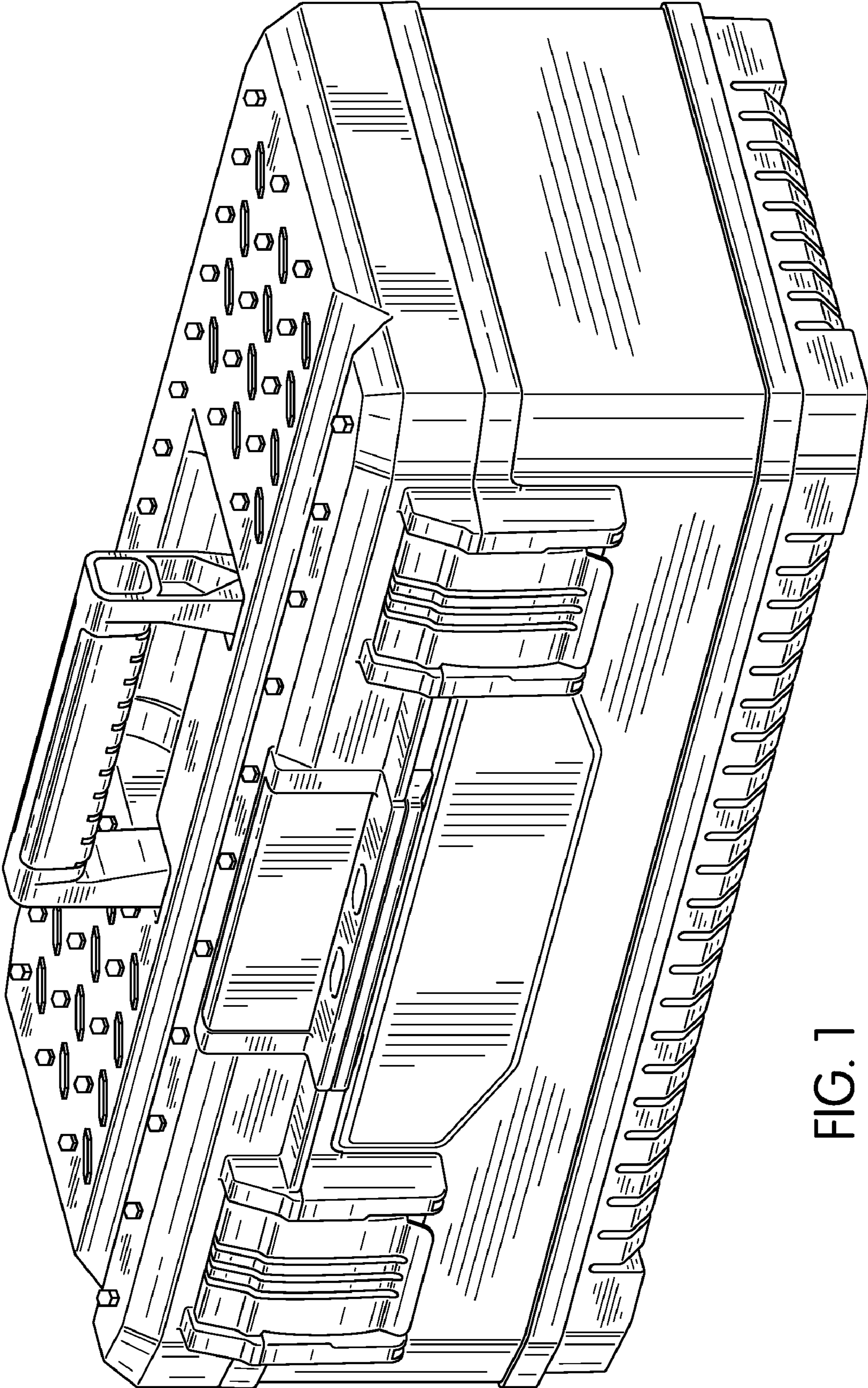


FIG. 1

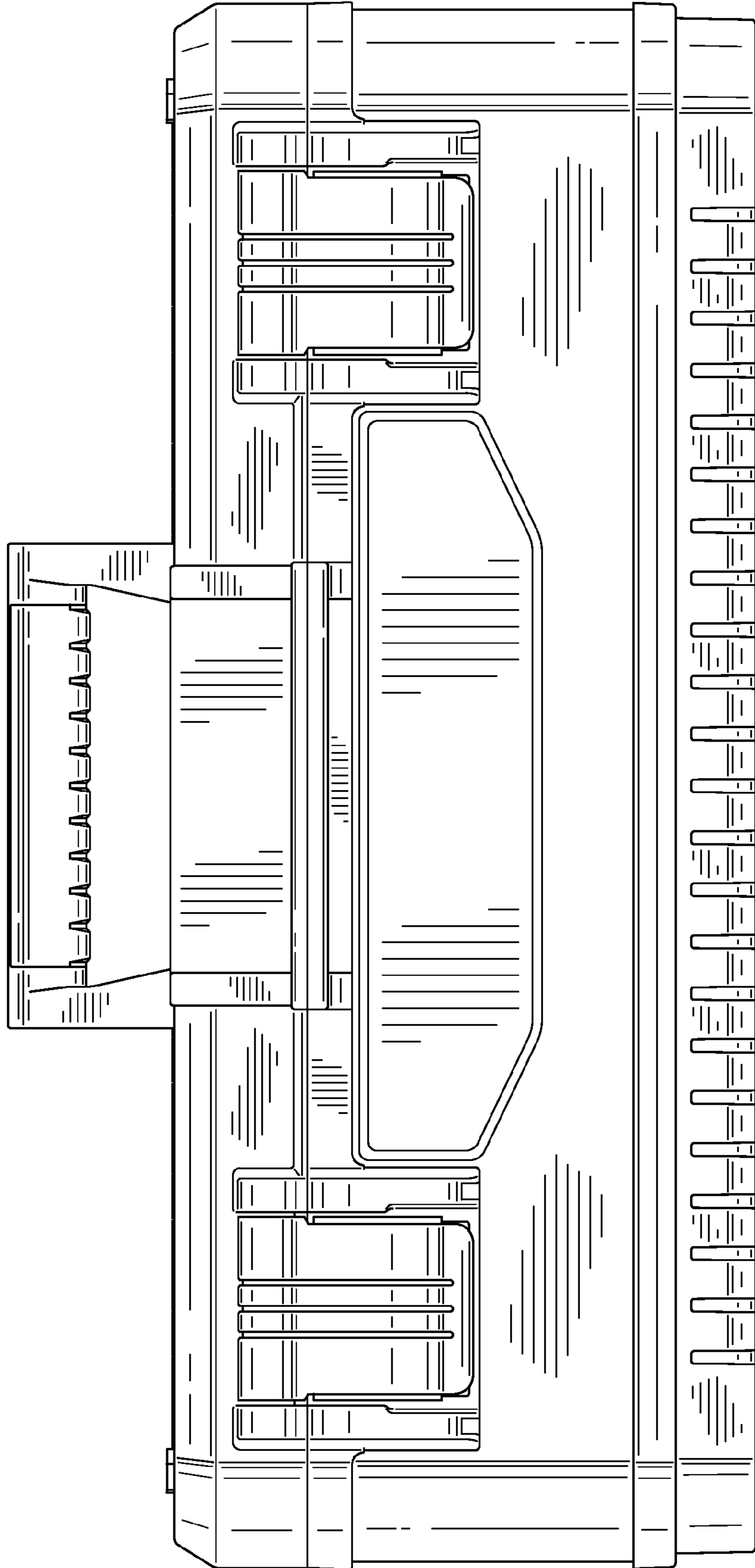


FIG. 2

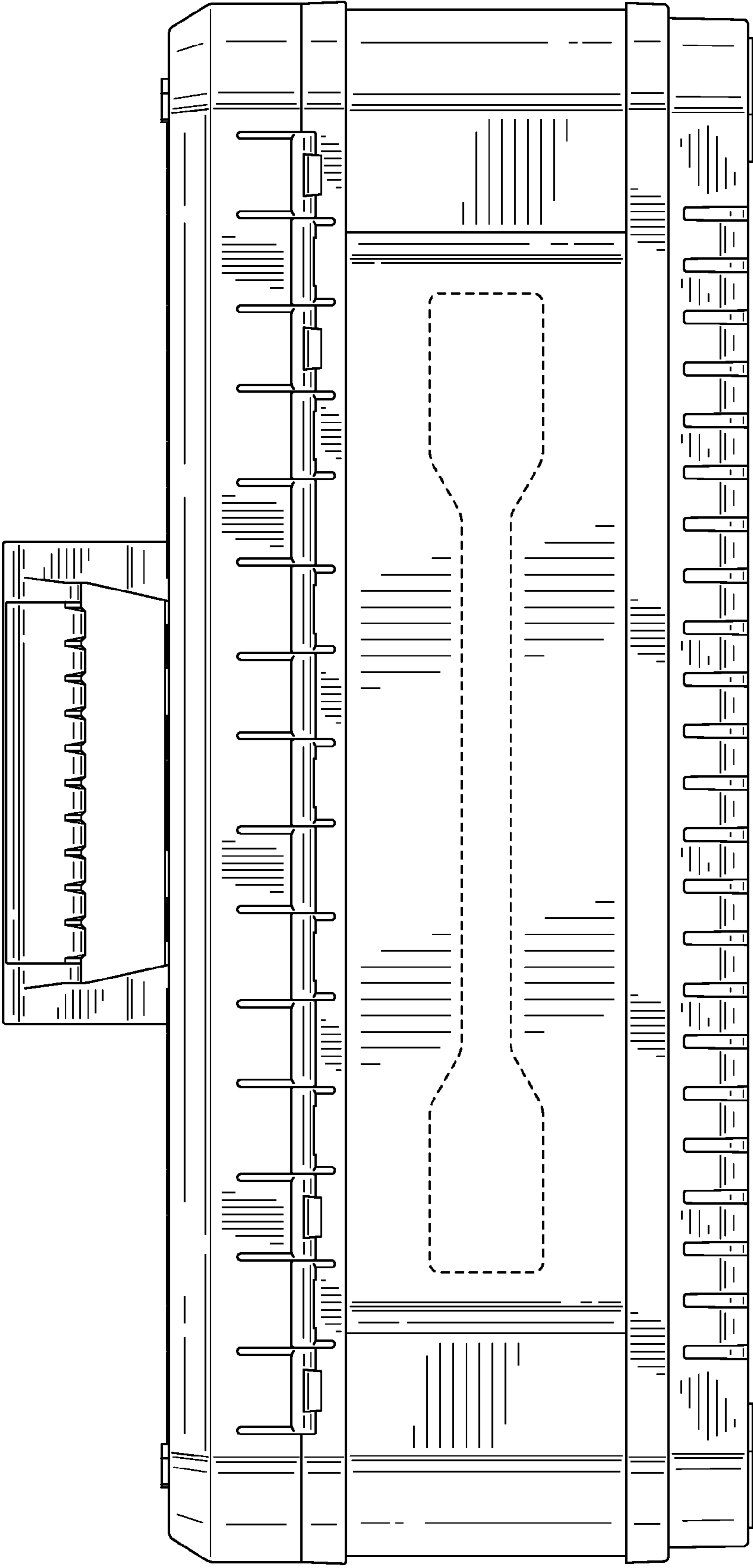


FIG. 3

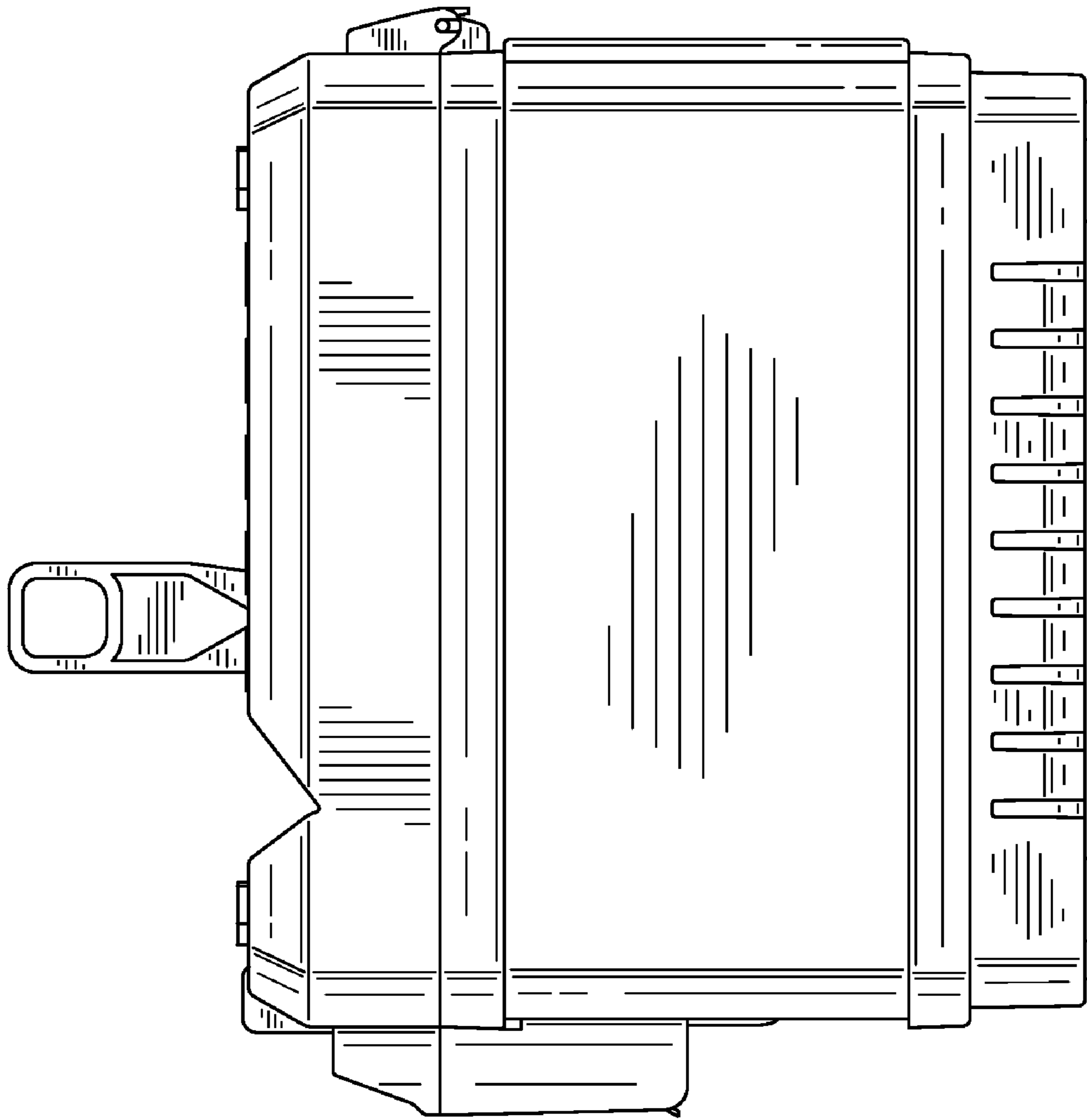


FIG. 4

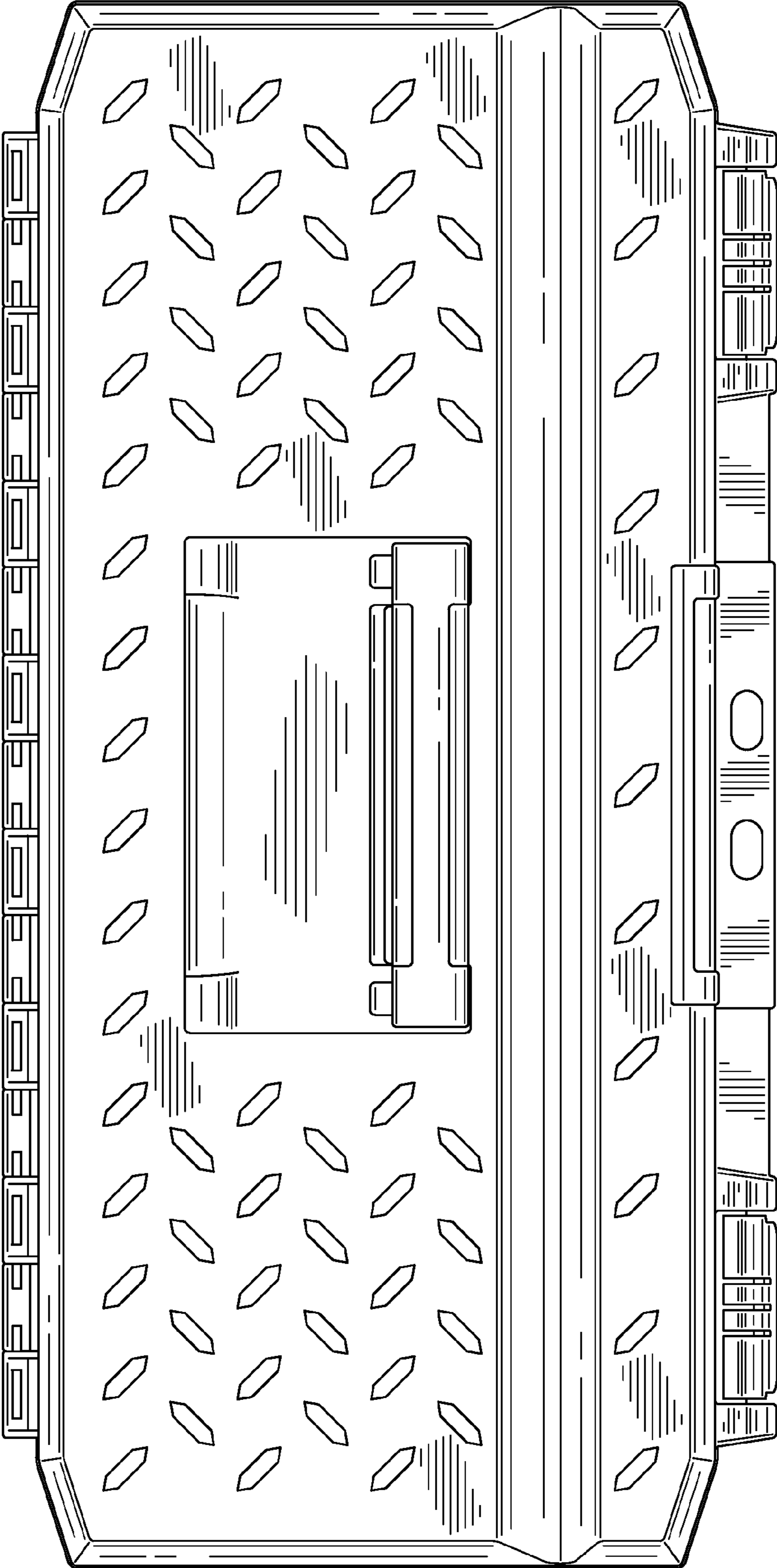


FIG. 5

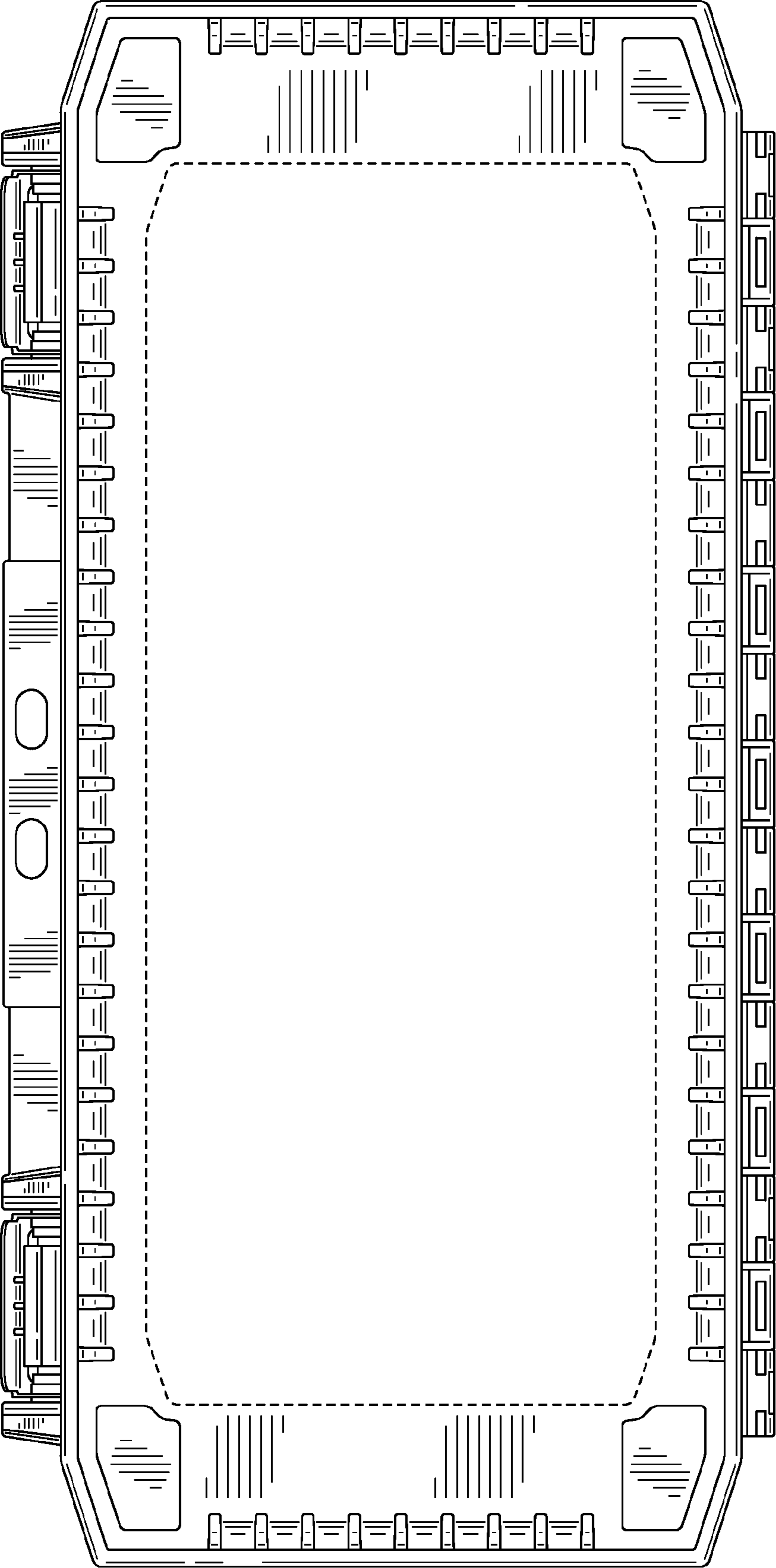


FIG. 6

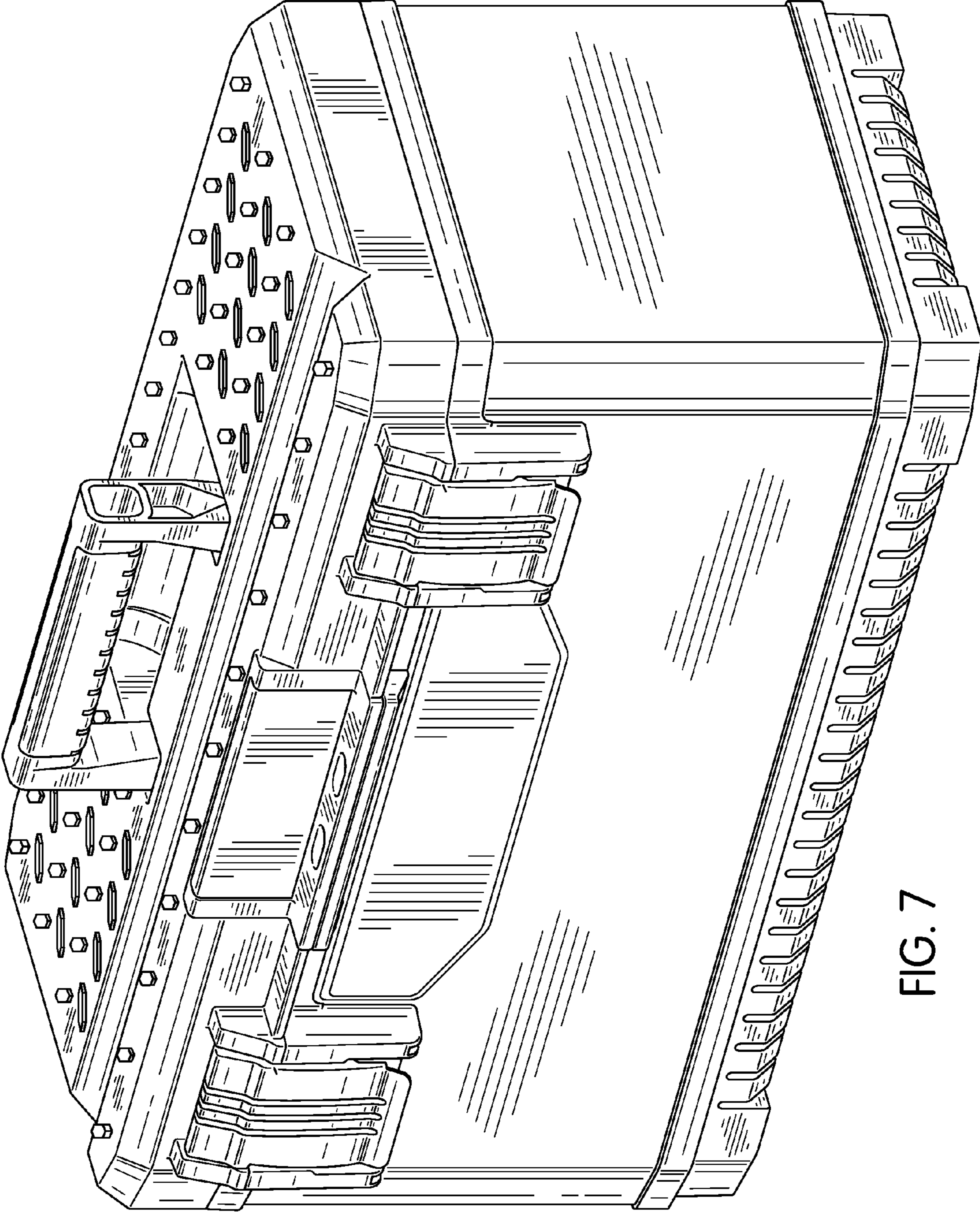


FIG. 7

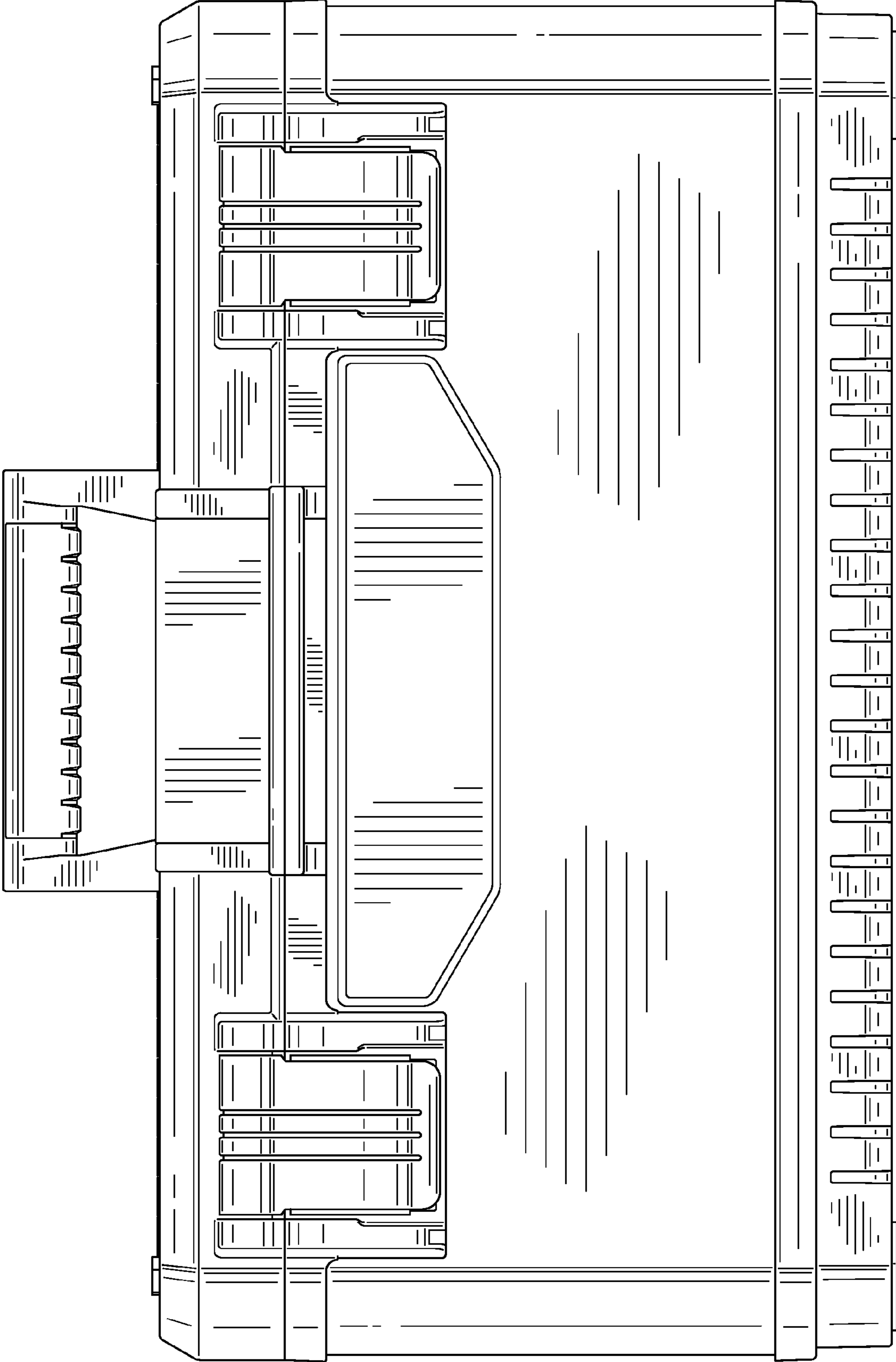


FIG. 8

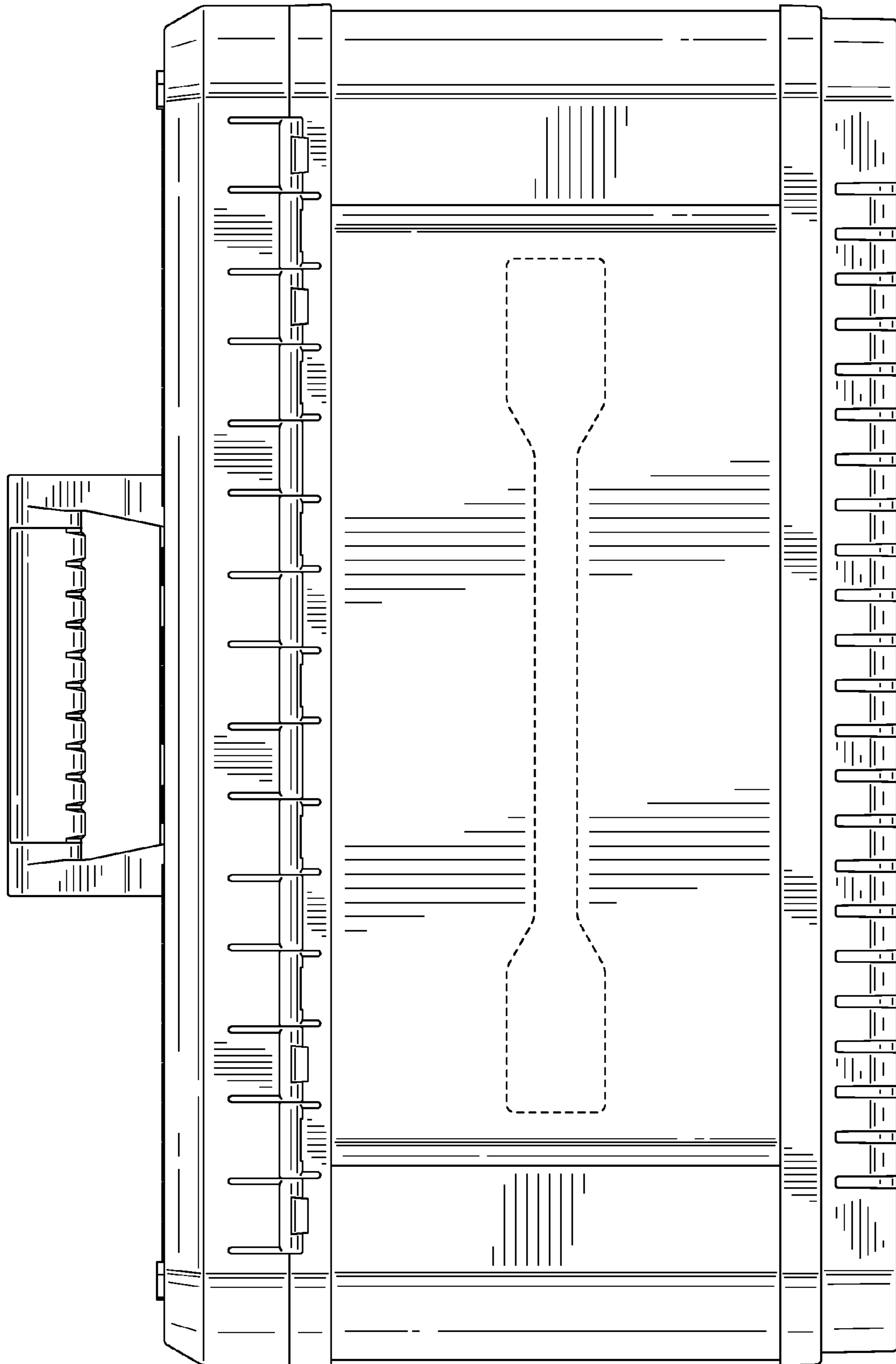


FIG. 9

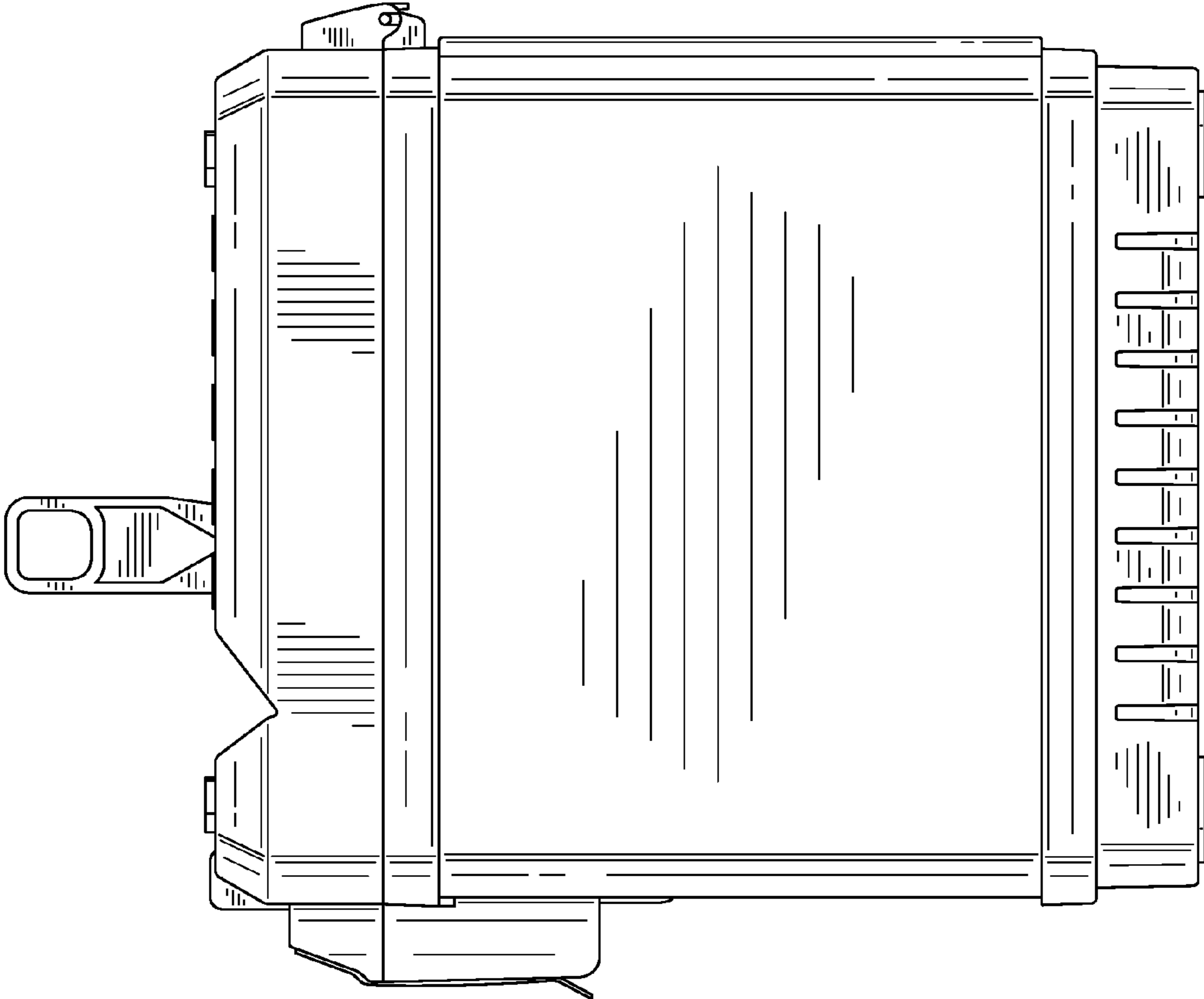


FIG. 10

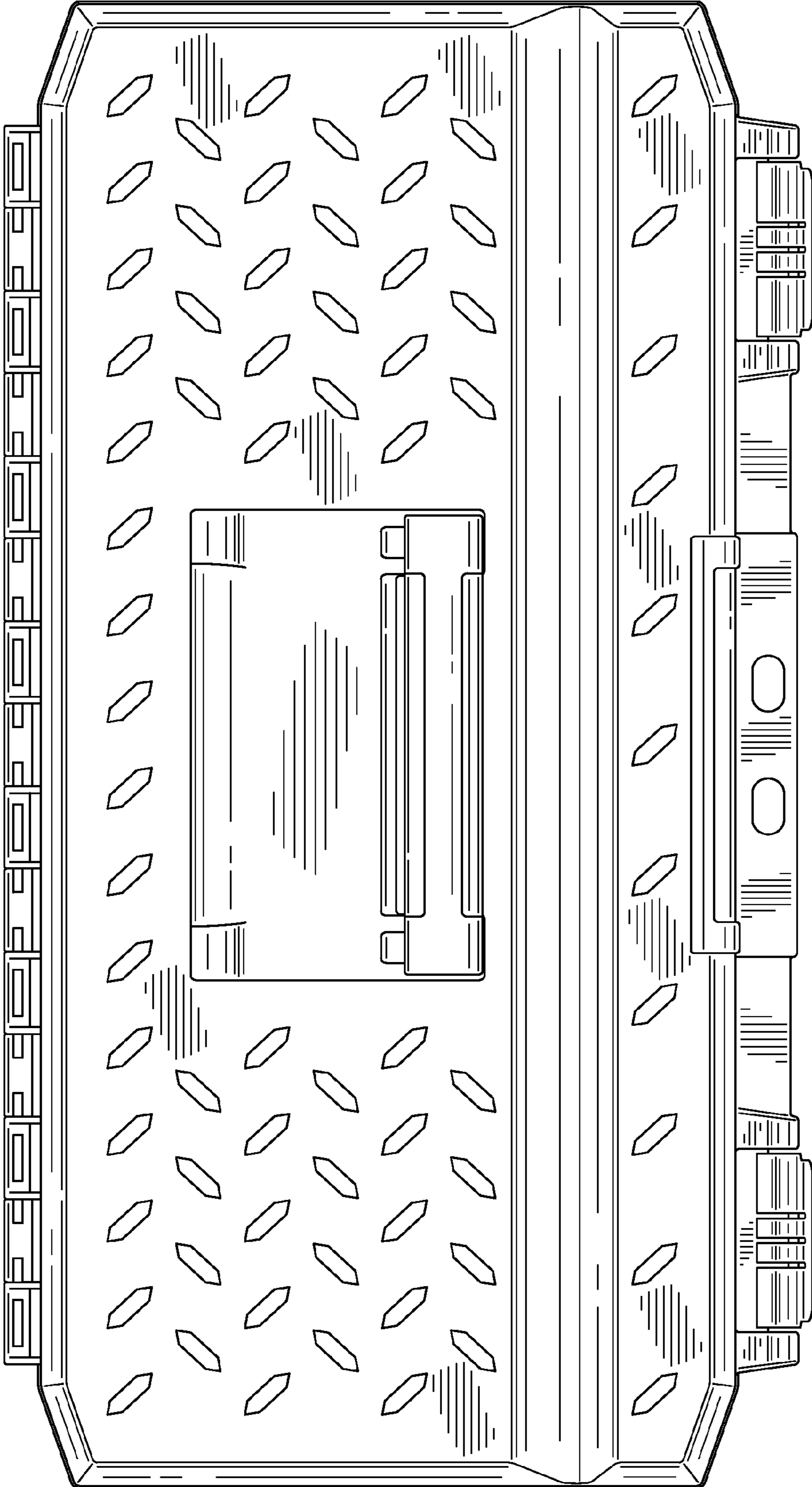


FIG. 11

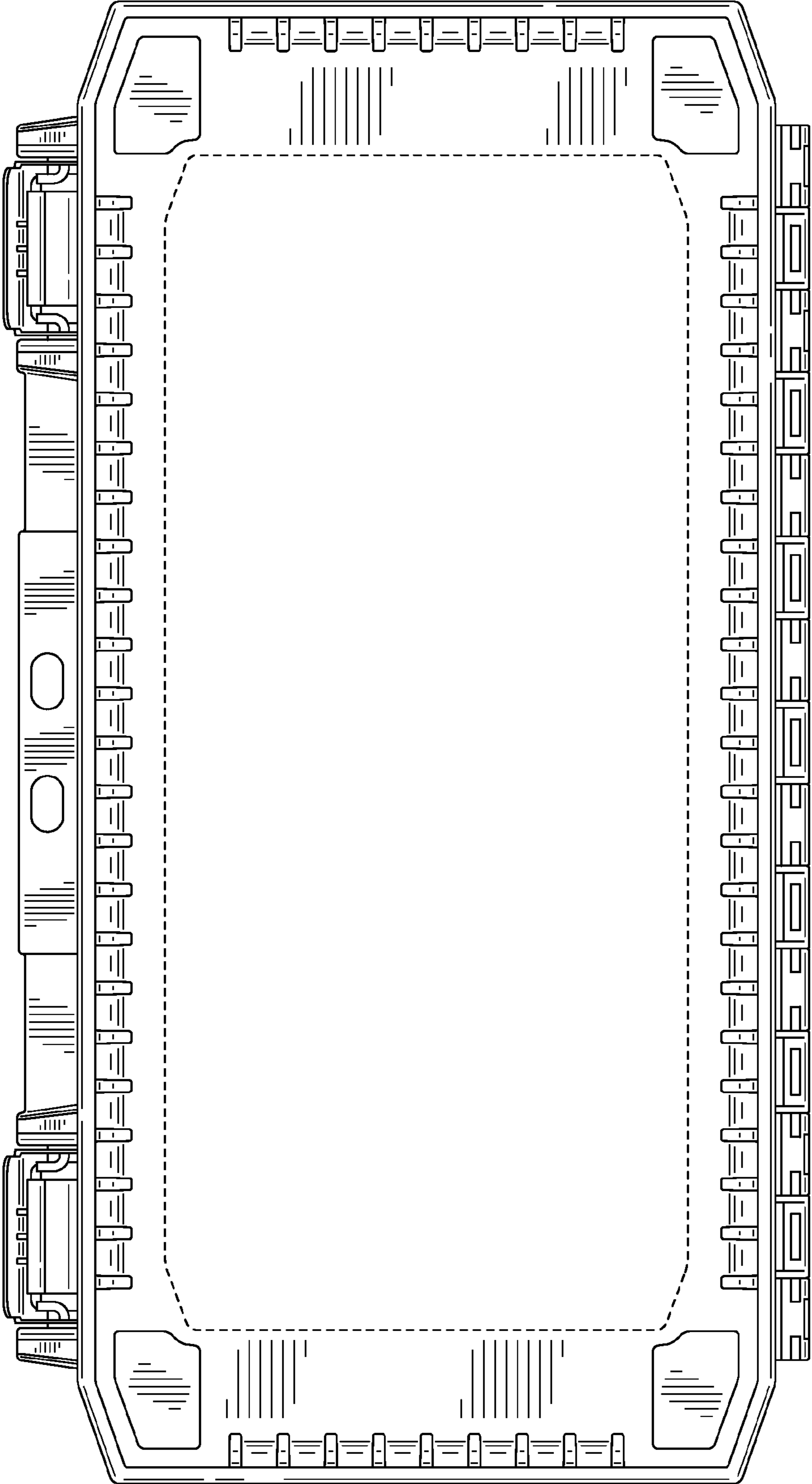


FIG. 12