



US00D629604S

(12) **United States Design Patent**
Hermann

(10) **Patent No.:** **US D629,604 S**

(45) **Date of Patent:** **** Dec. 28, 2010**

(54) **HANDBAG**

(75) Inventor: **Valérie Hermann**, Neuilly (FR)

(73) Assignee: **Yves Saint Laurent**, Paris (FR)

(**) Term: **14 Years**

(21) Appl. No.: **29/357,855**

(22) Filed: **Mar. 18, 2010**

(51) **LOC (9) Cl.** **03-01**

(52) **U.S. Cl.** **D3/232**

(58) **Field of Classification Search** D3/232-233,
D3/240-246, 318, 324; 150/100, 103-110,
150/113-114, 118-119

See application file for complete search history.

(56) **References Cited**

U.S. PATENT DOCUMENTS

D430,971 S * 9/2000 Harvey et al. D3/246
6,640,856 B1 * 11/2003 Tucker 150/130

* cited by examiner

Primary Examiner—Holly H Baynham

(74) *Attorney, Agent, or Firm*—Collen IP; Donald J. Ranft

(57) **CLAIM**

The ornamental design for a handbag, as shown and described.

DESCRIPTION

FIG. 1 is a front view of my new, original and ornamental design for a handbag;

FIG. 2 is a rear view thereof;

FIG. 3 is a bottom view thereof;

FIG. 4 is a top view thereof;

FIG. 5 is a left side view thereof;

FIG. 6 is a right side view thereof; and,

FIG. 7 is a front perspective view thereof.

The dashed lines represent stitching and are part of the claimed design.

1 Claim, 6 Drawing Sheets



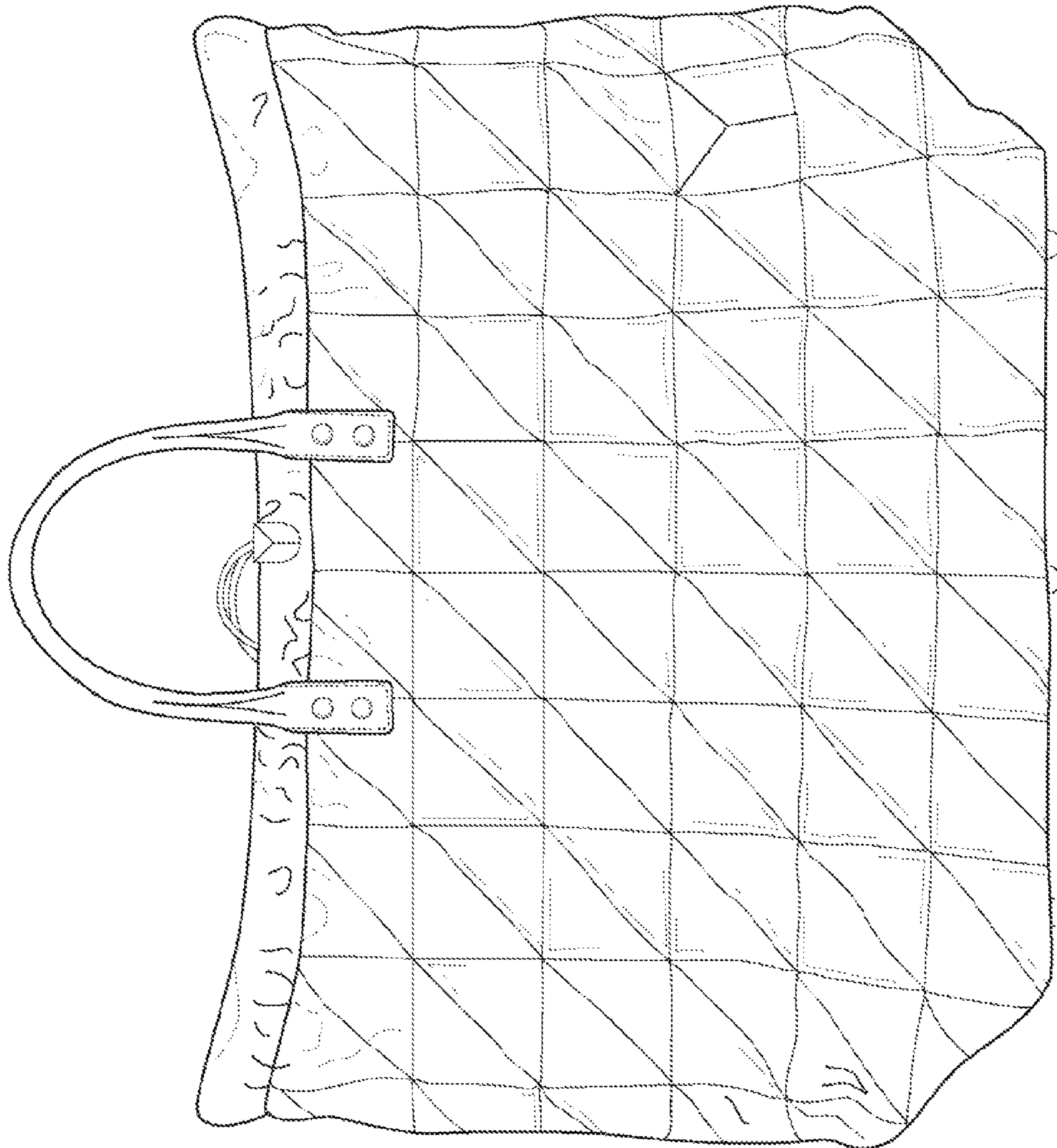


Fig. 1

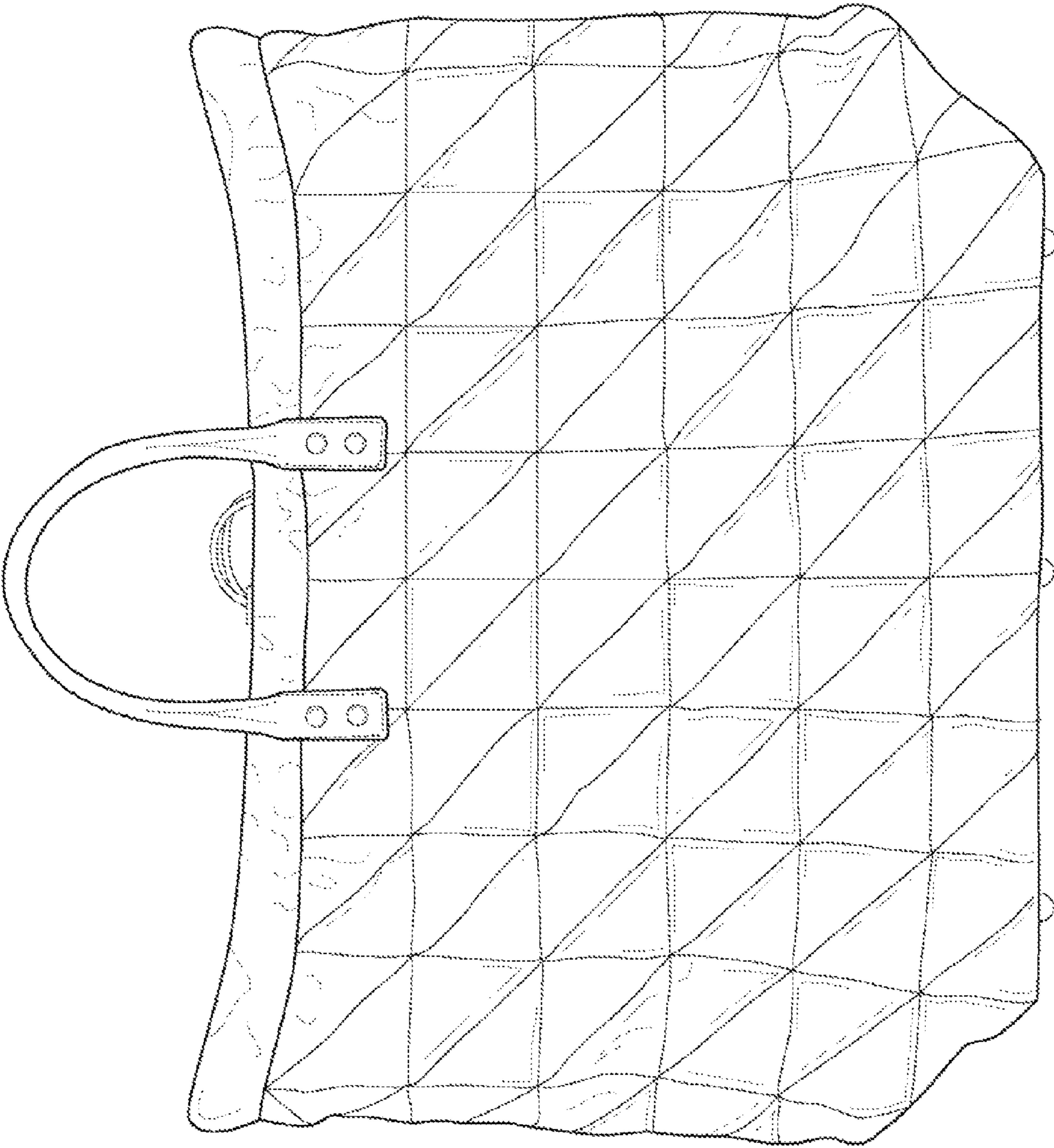


Fig. 2

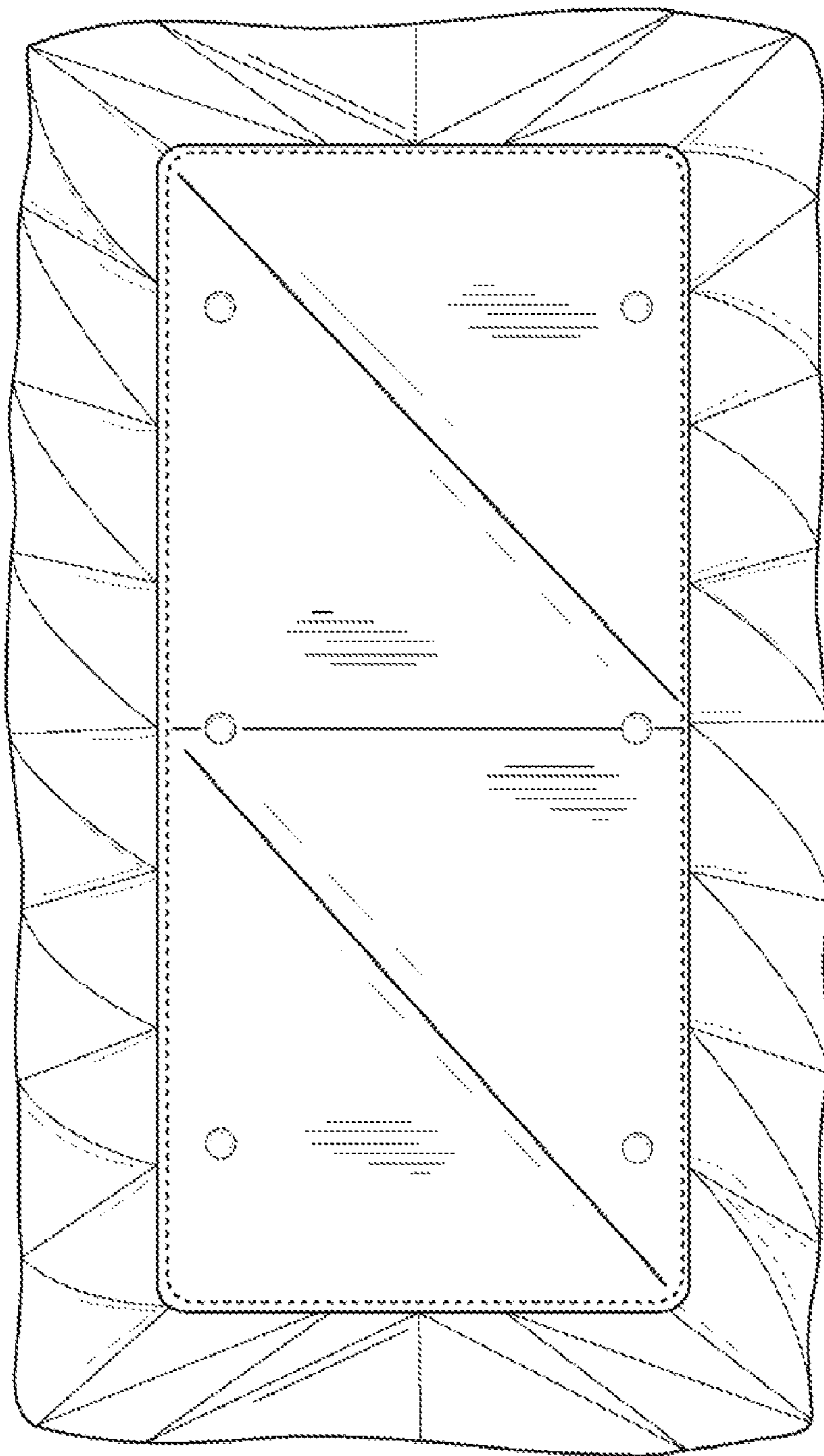


Fig. 3

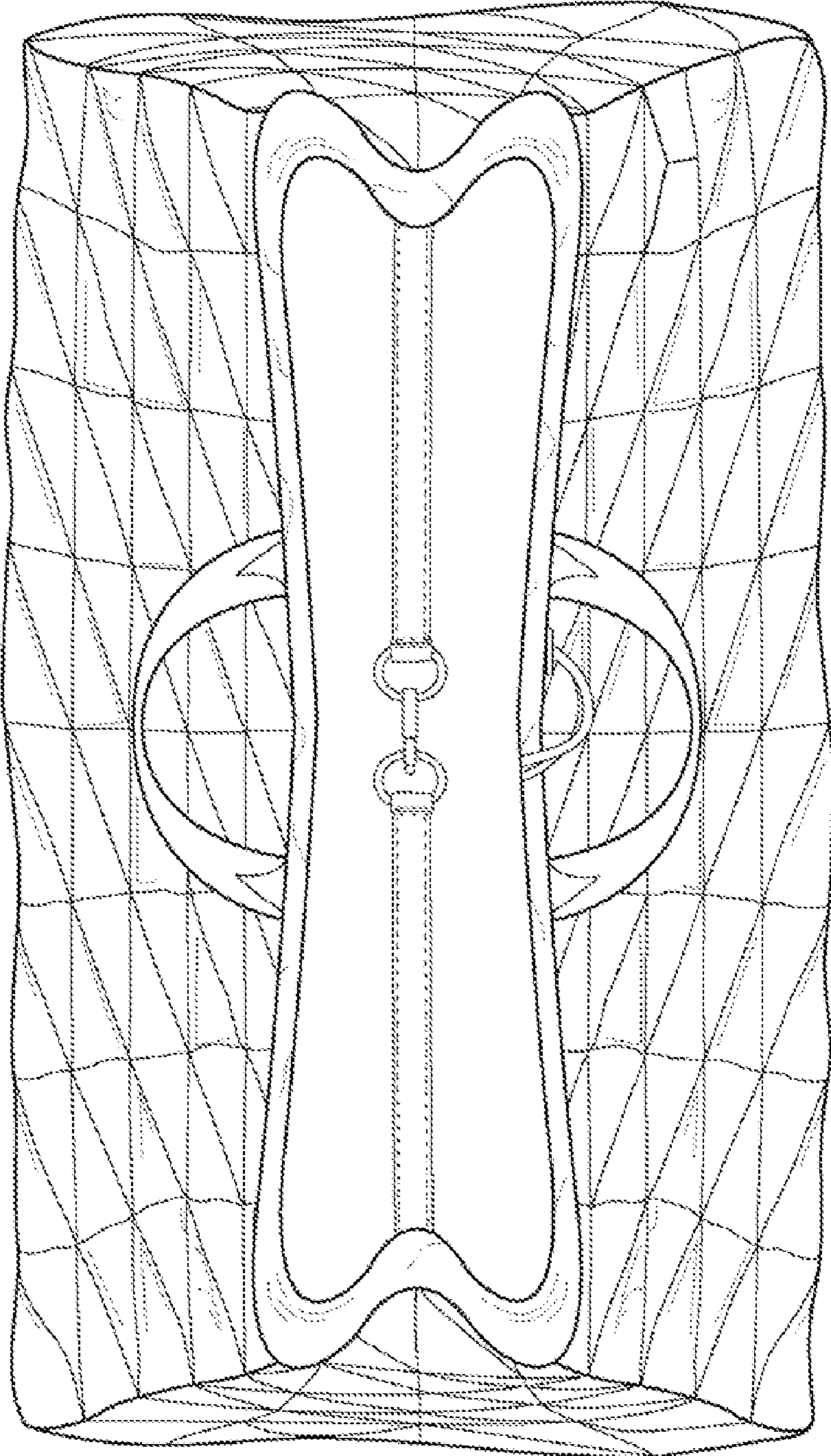


Fig. 4

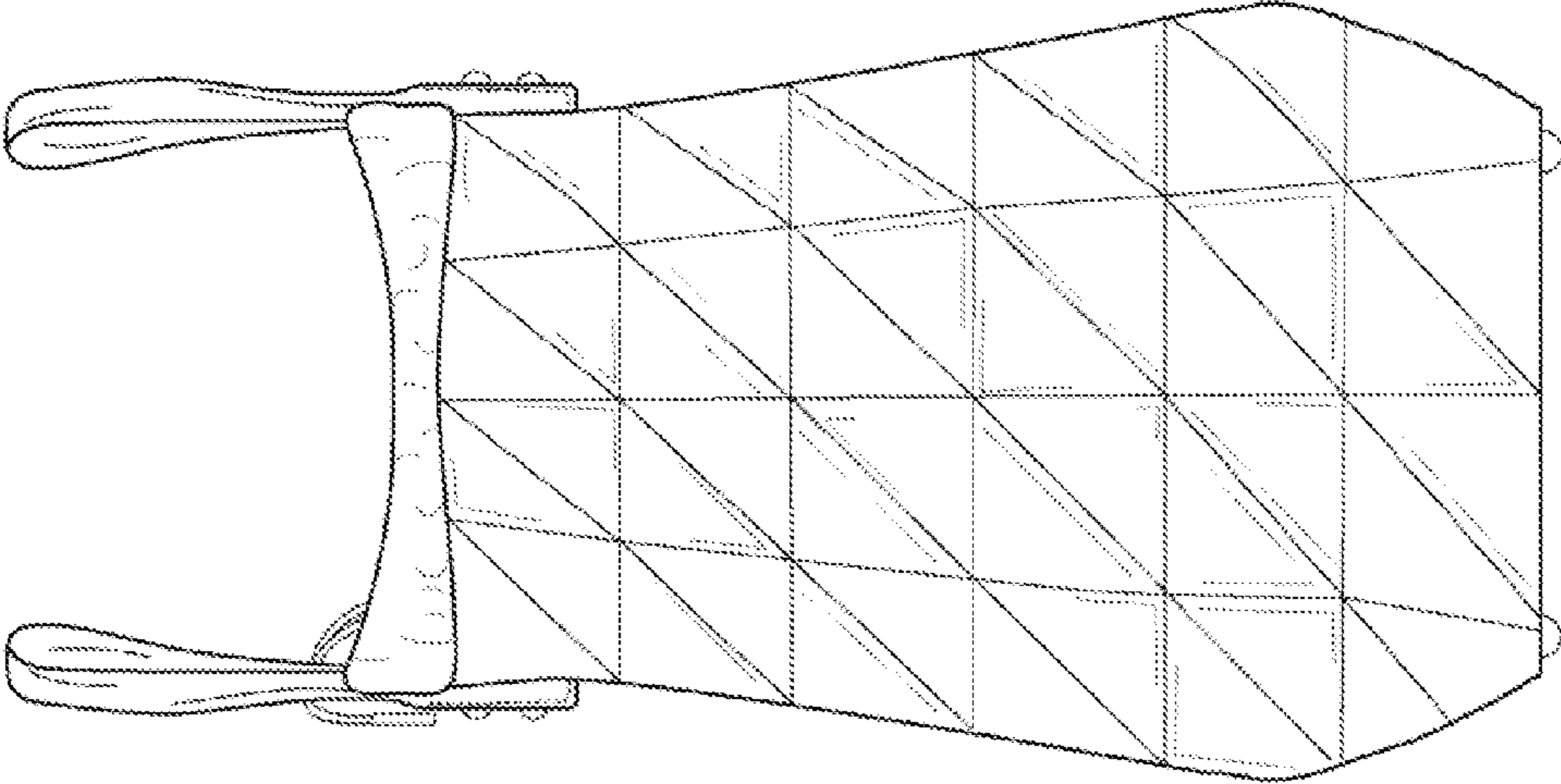


Fig. 6

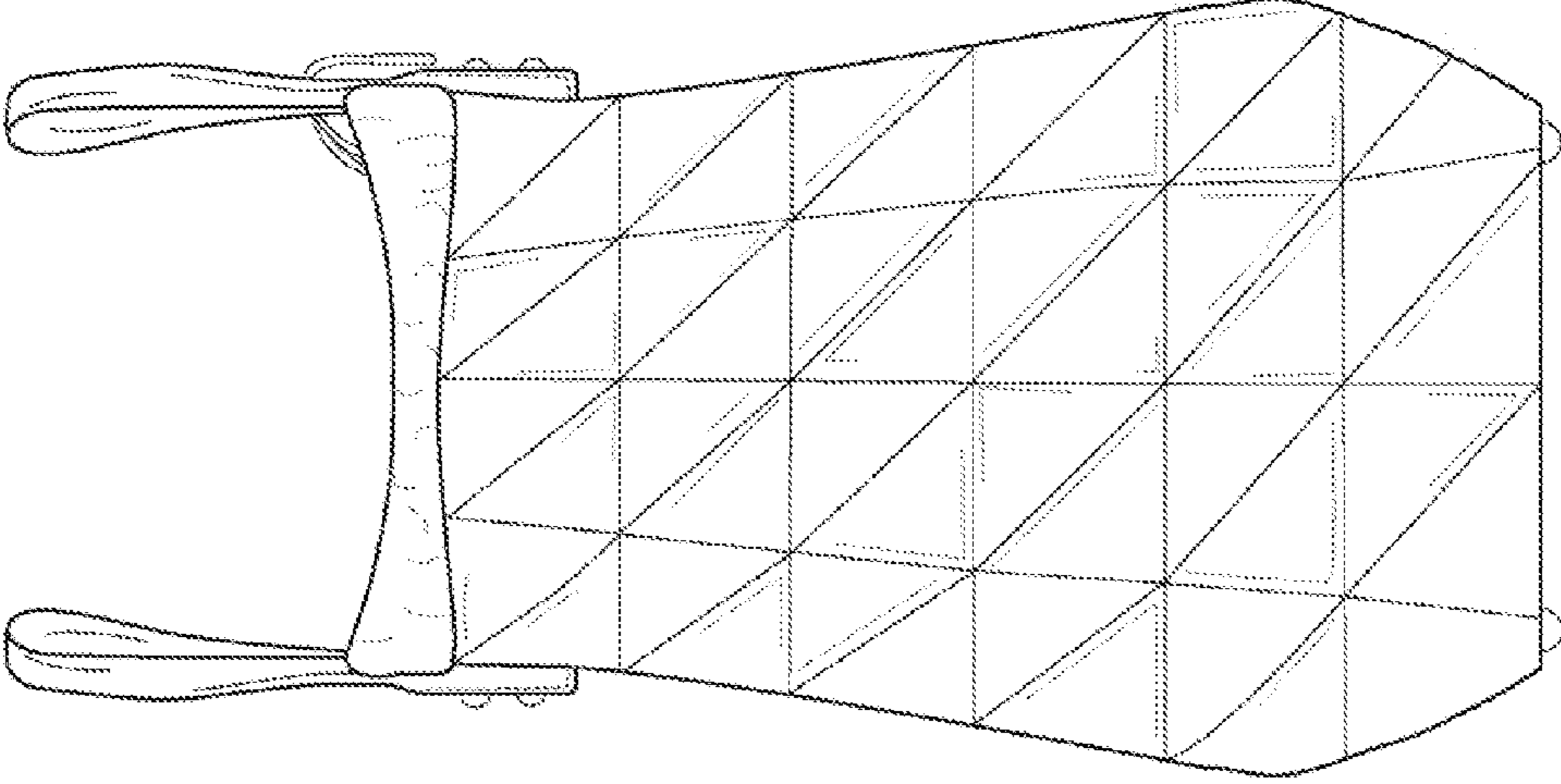


Fig. 5

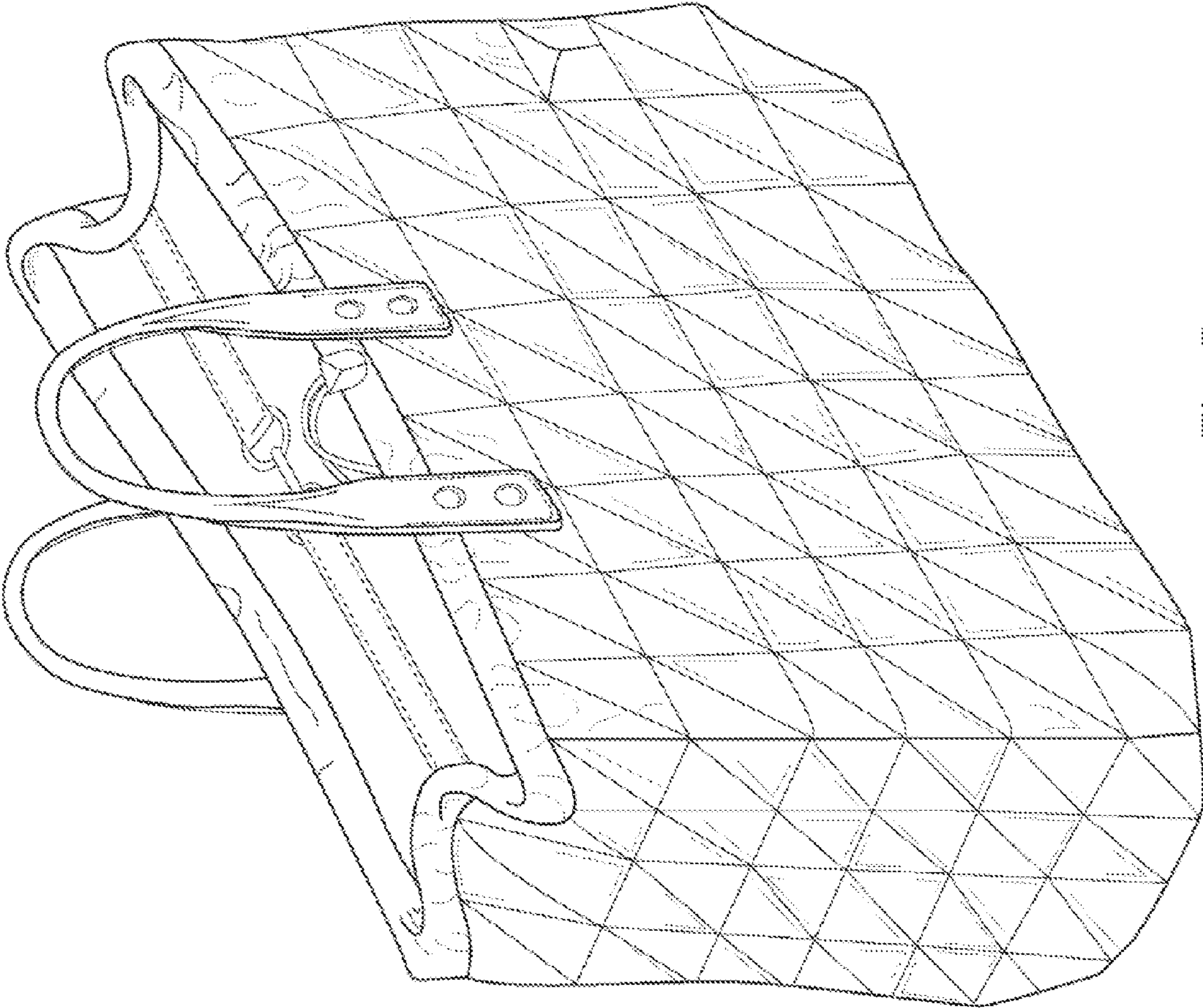


Fig. 7