



US00D629600S

(12) **United States Design Patent**
Mandalia

(10) **Patent No.:** **US D629,600 S**

(45) **Date of Patent:** **** Dec. 28, 2010**

(54) **SHOE HEEL CLIP**

D362,928 S * 10/1995 Redden D30/157
5,483,704 A * 1/1996 Filipiak 2/336
6,209,141 B1 4/2001 Adeli
6,618,862 B1 9/2003 Bunjes

(76) **Inventor:** **Neetan Mandalia**, 1807 Moor Pl.,
Alamogordo, NM (US) 88310

(**) **Term:** **14 Years**

(21) **Appl. No.:** **29/343,364**

(Continued)

(22) **Filed:** **Sep. 11, 2009**

FOREIGN PATENT DOCUMENTS

(51) **LOC (9) Cl.** **02-07**

FR 2756149 5/1998

(52) **U.S. Cl.** **D2/976**

(58) **Field of Classification Search** D2/929,
D2/930, 935, 946, 976, 978; D11/200, 215,
D11/78.1; 2/23, 232; 24/67.3, 67.9, 67.11,
24/72.1, 335; 36/70 R, 71.5, 72 B, 73

(Continued)

See application file for complete search history.

Primary Examiner—Stella M Reid
Assistant Examiner—Keli L Hill
(74) *Attorney, Agent, or Firm*—Samantha A. Updegraff;
Peacock Myers, P.C.

(56) **References Cited**

U.S. PATENT DOCUMENTS

(57) **CLAIM**

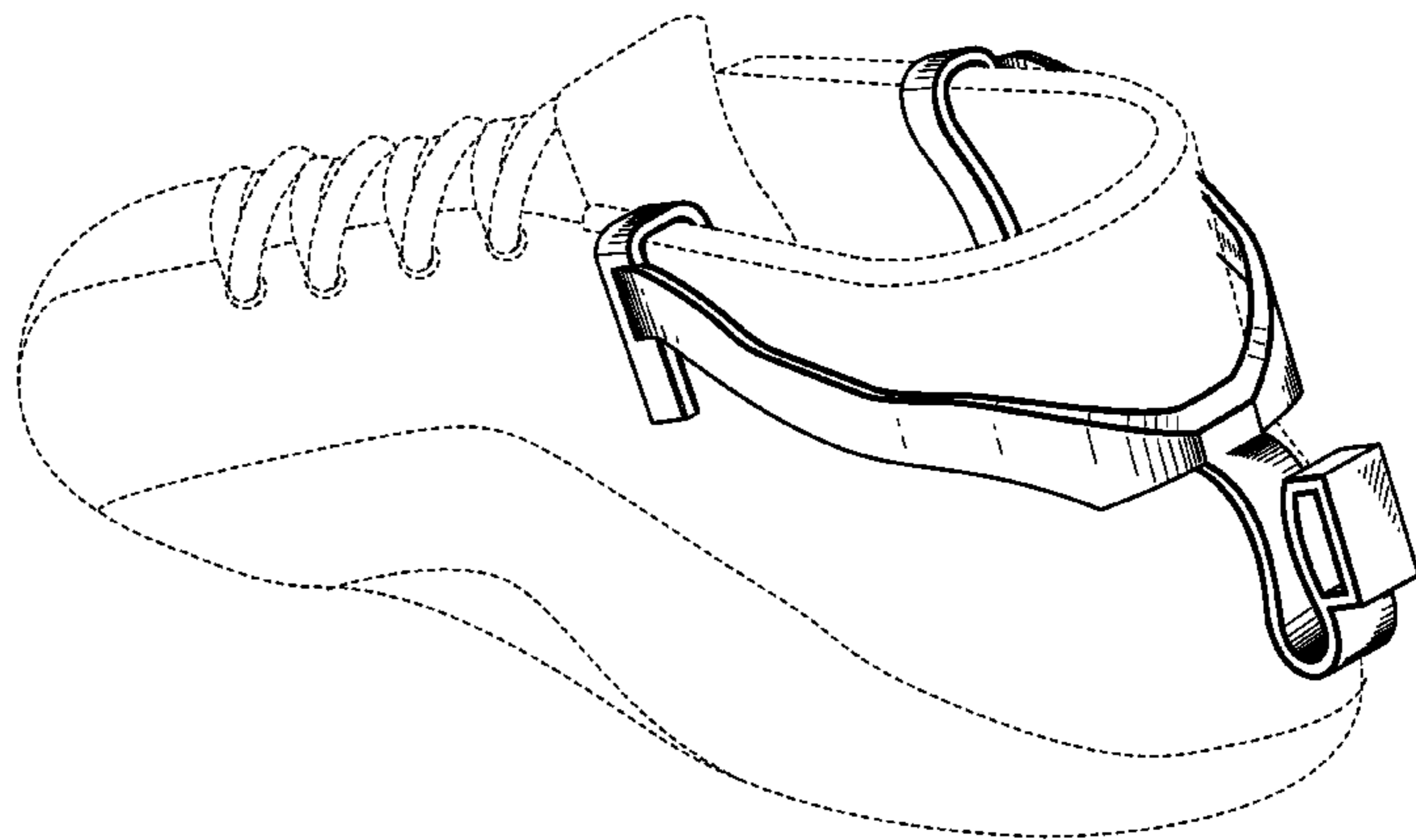
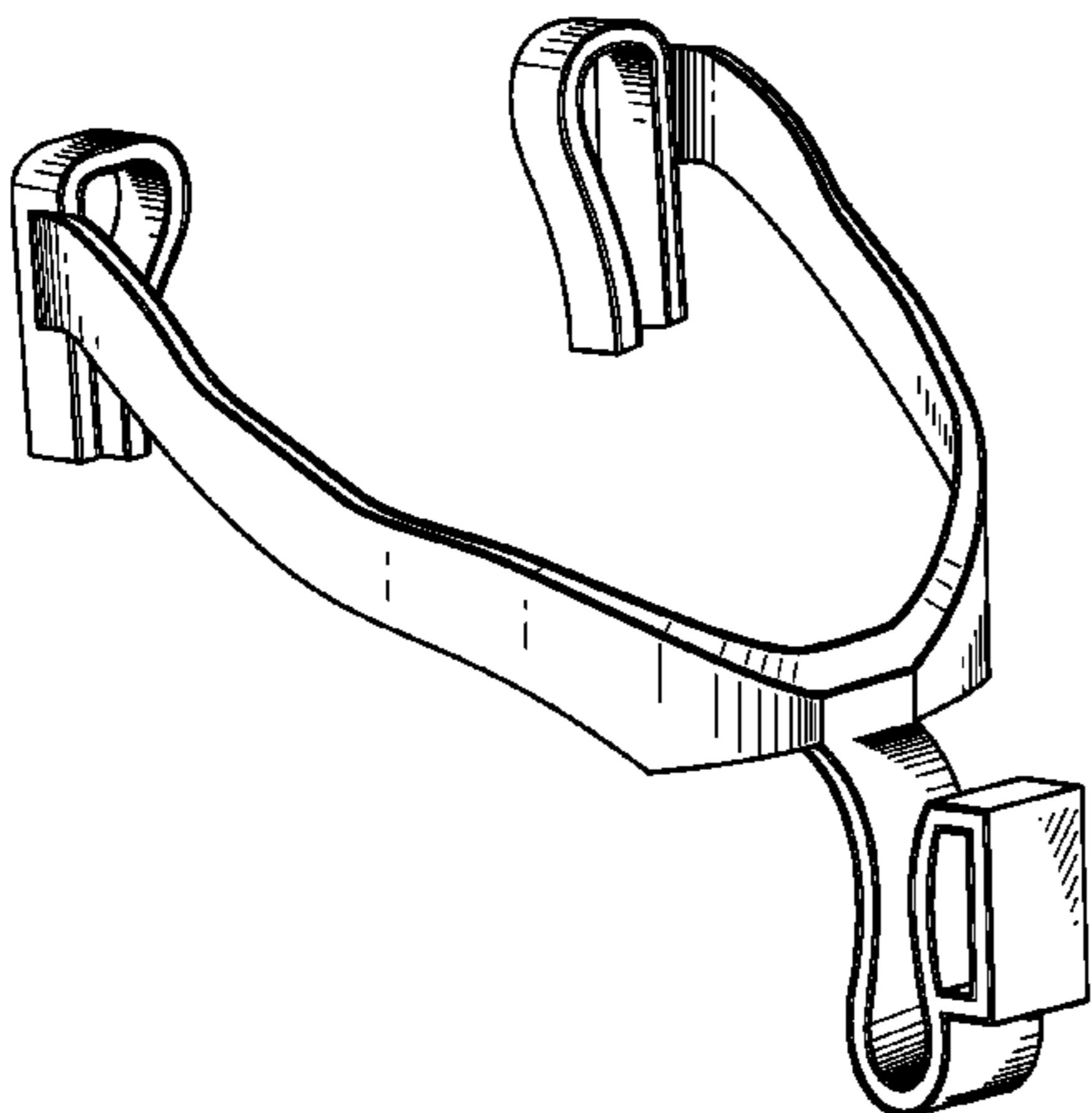
- 241,101 A * 5/1881 Watson 36/70 R
- 309,116 A * 12/1884 Wenzel 36/70 R
- 346,652 A 8/1886 Hanan
- 383,500 A 5/1888 Stewart
- 397,703 A * 2/1889 Diamond et al. 36/70 R
- 397,704 A 2/1889 Diamond et al.
- 444,176 A * 1/1891 Coggeshall 36/70 R
- 450,809 A * 4/1891 Hicks 36/70 R
- 562,150 A * 6/1896 Newton 24/72.1
- 567,254 A 9/1896 Pritchard
- 573,784 A * 12/1896 Holloway 24/547
- 586,666 A 7/1897 Neuendorff
- 668,051 A 2/1901 Puffer
- 719,462 A * 2/1903 Gysling 24/559
- 771,021 A 9/1904 Lux
- 806,579 A 12/1905 Schakel
- 898,503 A * 9/1908 Plummer 24/299
- 927,017 A 7/1909 Young
- 1,005,401 A 10/1911 Young
- D104,269 S * 4/1937 Kuleff D2/961
- 5,035,070 A 7/1991 Gray
- D323,734 S * 2/1992 Haines D2/976

The ornamental design for the shoe heel clip, as shown and described.

DESCRIPTION

FIG. 1 is a perspective view of a shoe heel clip;
FIG. 2 is a front view of a shoe heel clip;
FIG. 3 is a back view of a shoe heel clip;
FIG. 4 is a left side view of a shoe heel clip;
FIG. 5 is a right side view of a shoe heel clip;
FIG. 6 is a top view of a shoe heel clip;
FIG. 7 is a bottom view of a shoe heel clip; and,
FIG. 8 is a perspective view of a shoe heel clip that is clipped to a shoe.

1 Claim, 6 Drawing Sheets



US D629,600 S

Page 2

U.S. PATENT DOCUMENTS

6,701,582 B1 3/2004 Milburn
7,032,275 B2 4/2006 Nelson et al.
7,132,144 B2 11/2006 Roberts
D536,516 S 2/2007 Sanders
7,272,862 B1 9/2007 Ellington
D554,330 S * 11/2007 White D2/946
D613,911 S * 4/2010 Hauck-Hasmatiali D30/157
2006/0213036 A1* 9/2006 Flowers et al. 24/72.1
2007/0277292 A1 12/2007 Lambert

2008/0083136 A1 4/2008 McNeely
2008/0115259 A1 5/2008 Wells
2008/0289225 A1 11/2008 Ali et al.
2009/0199439 A1 8/2009 Lamb
2009/0260262 A1 10/2009 Munoz

FOREIGN PATENT DOCUMENTS

WO WO-2007-0144907 12/2007

* cited by examiner

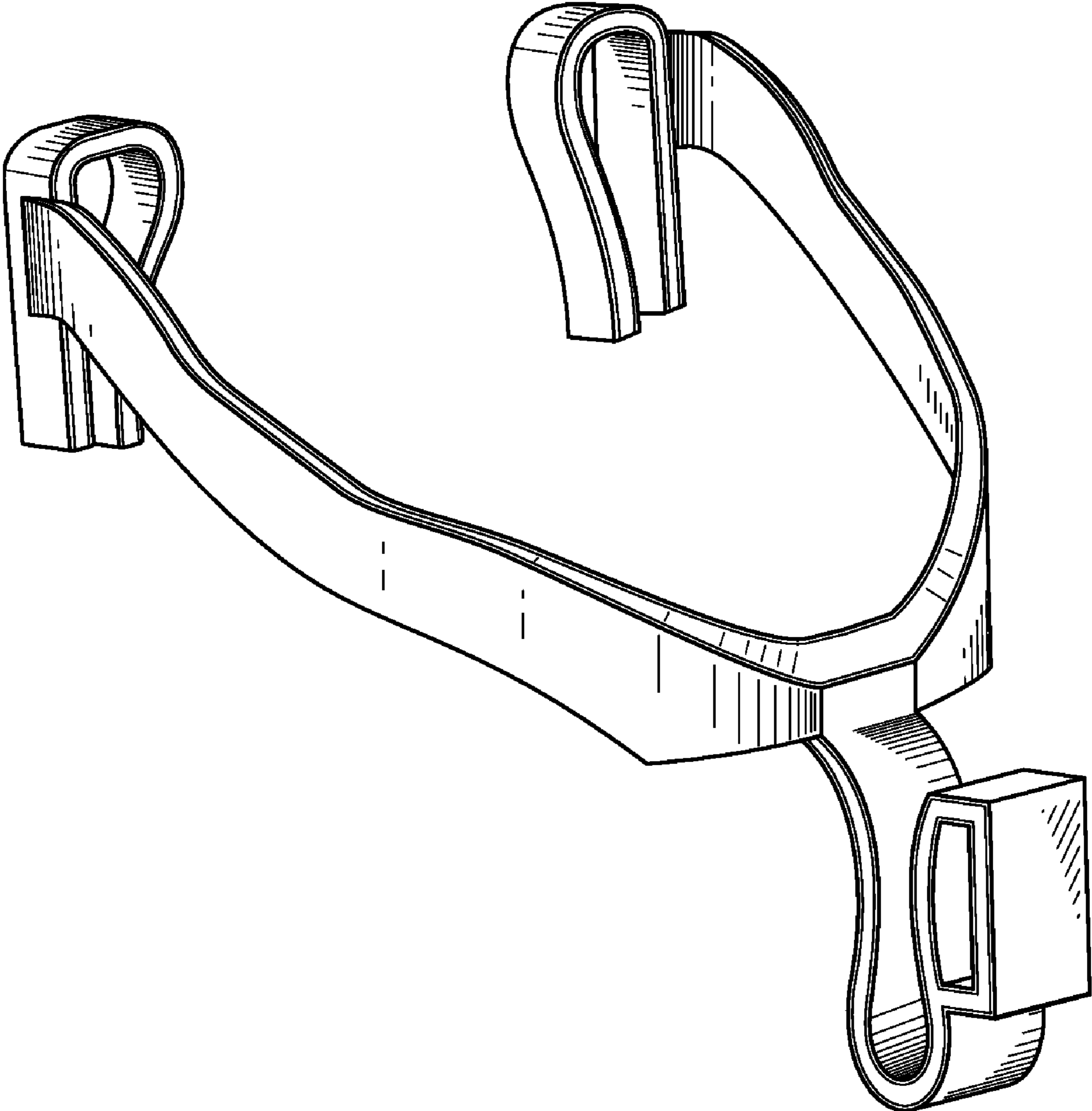


FIG. 1

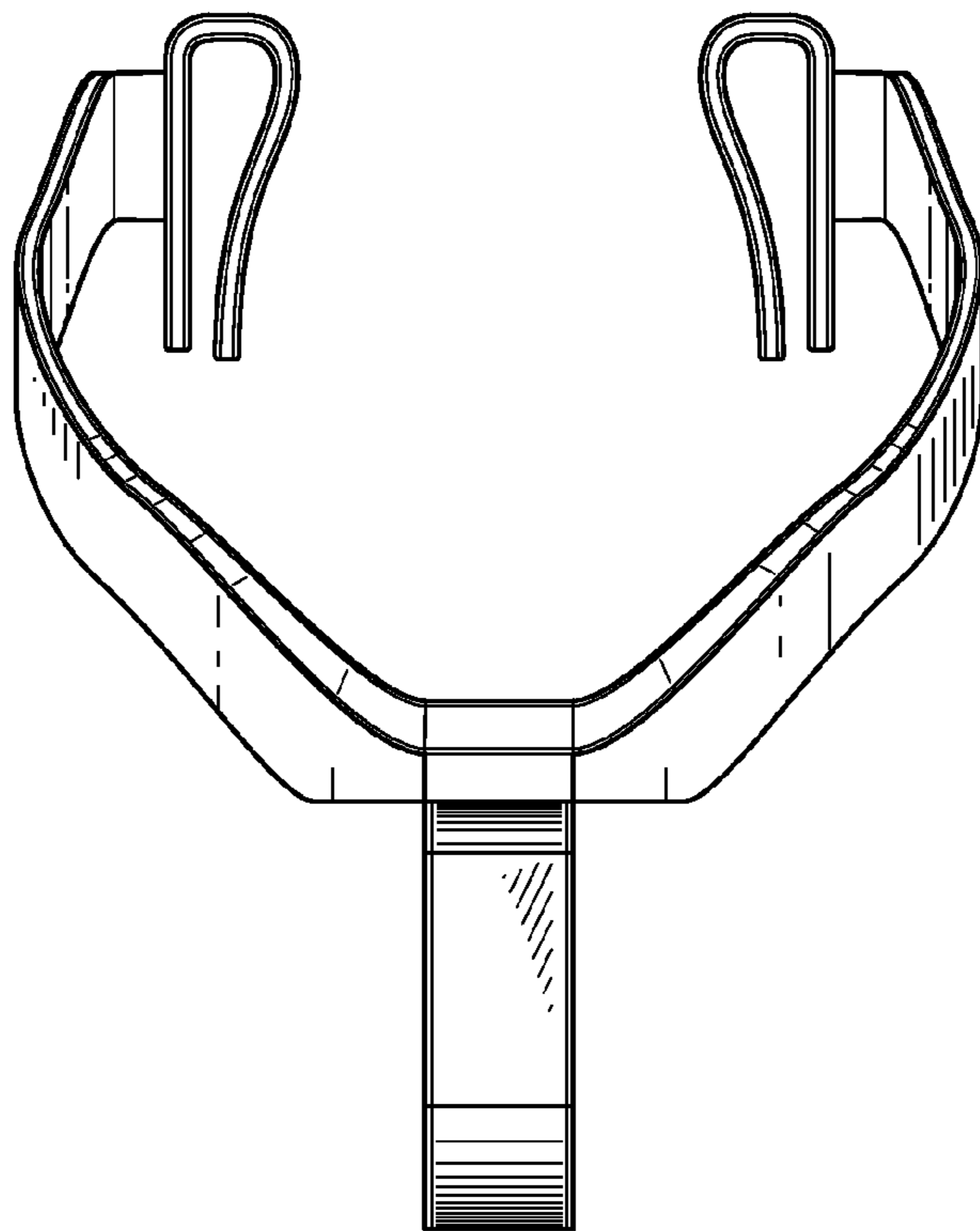


FIG. 2

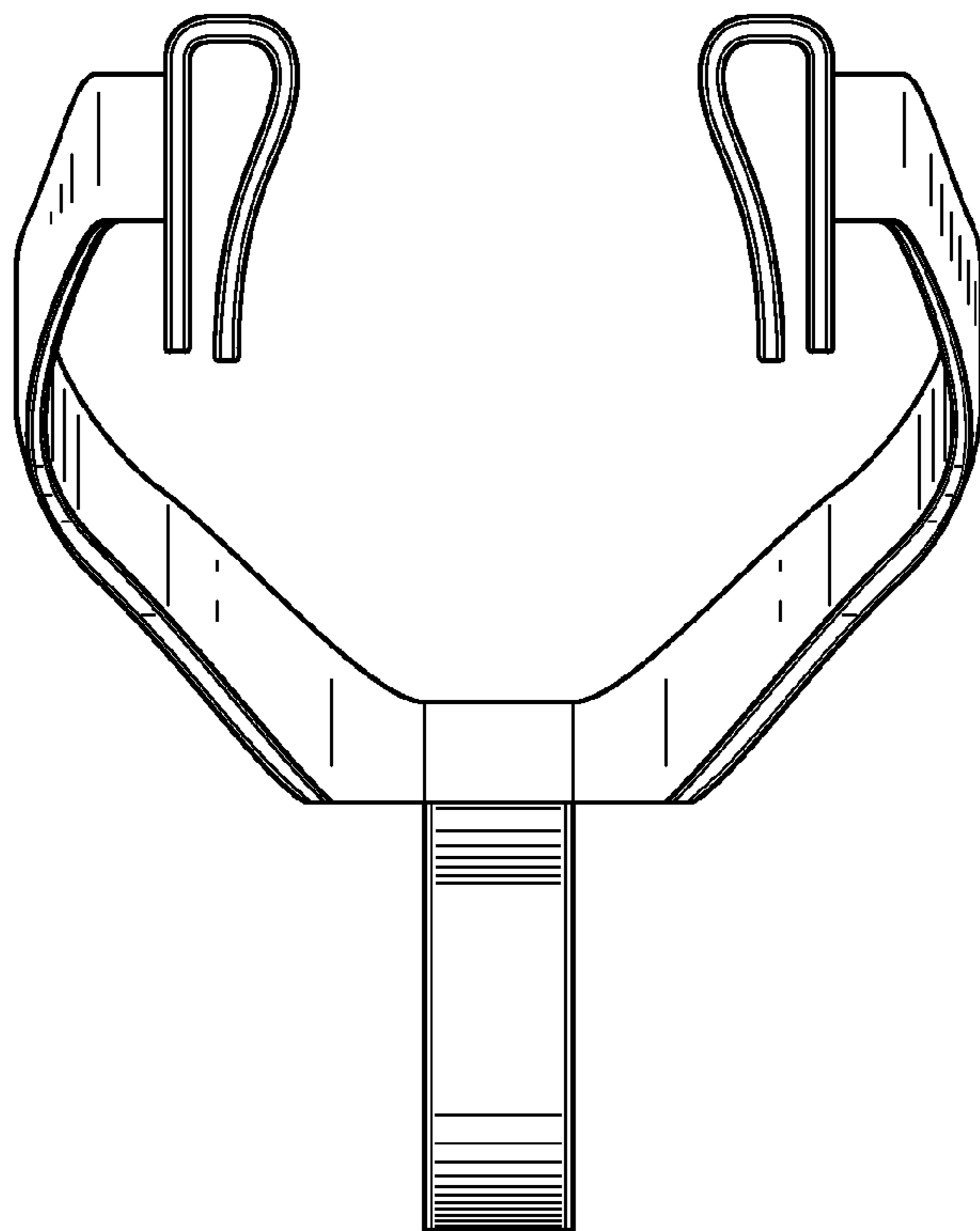


FIG. 3

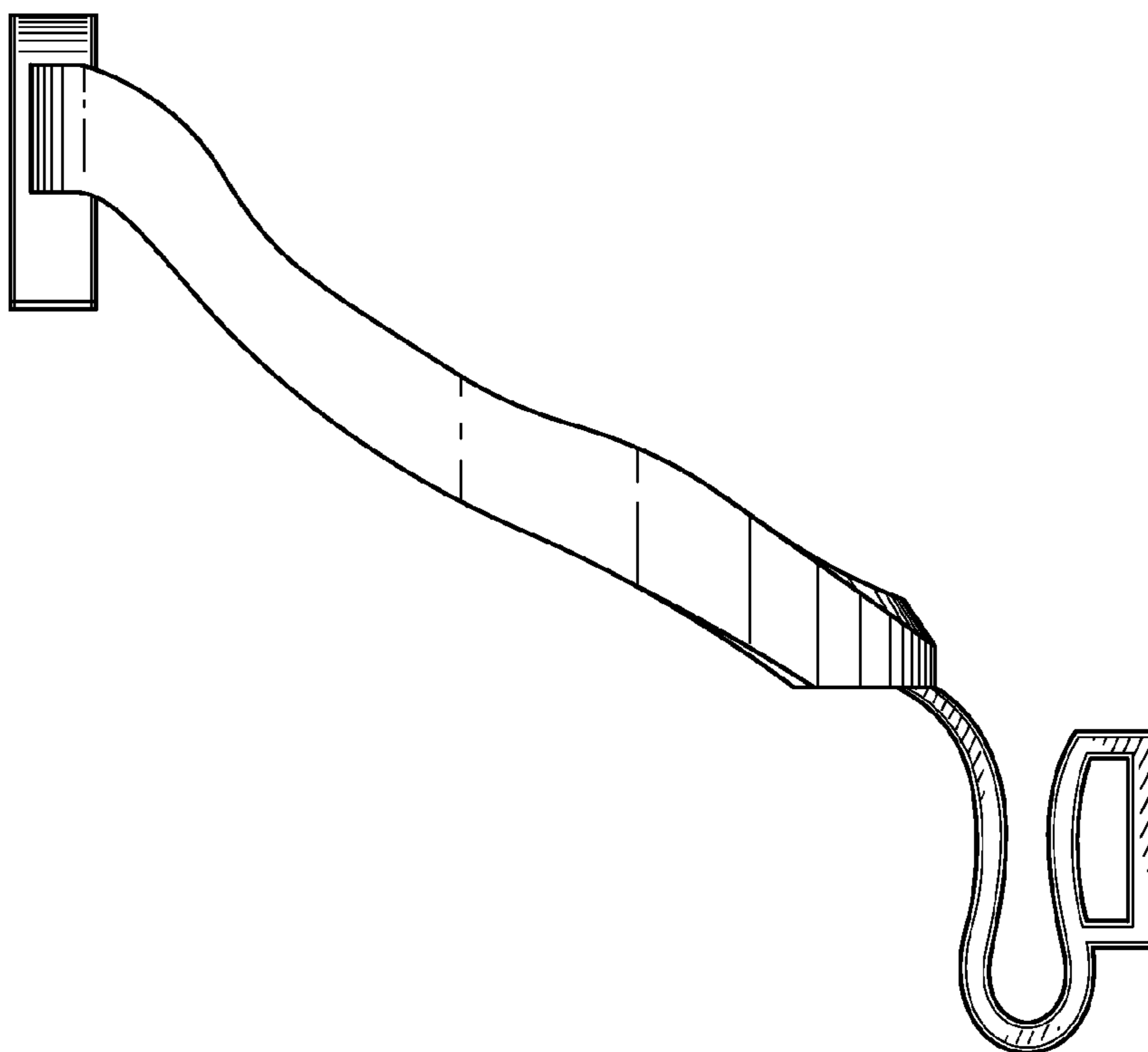


FIG. 4

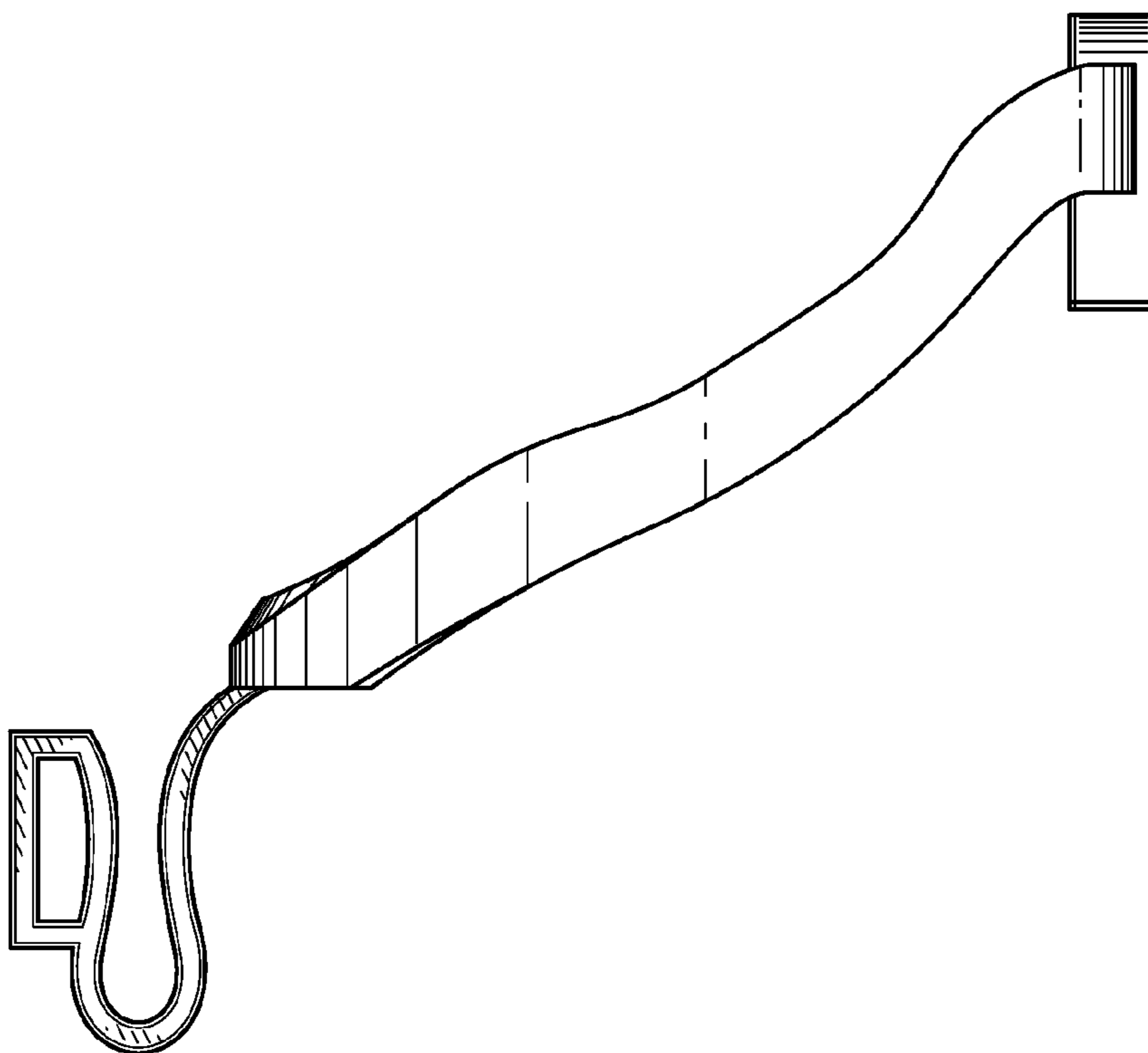


FIG. 5

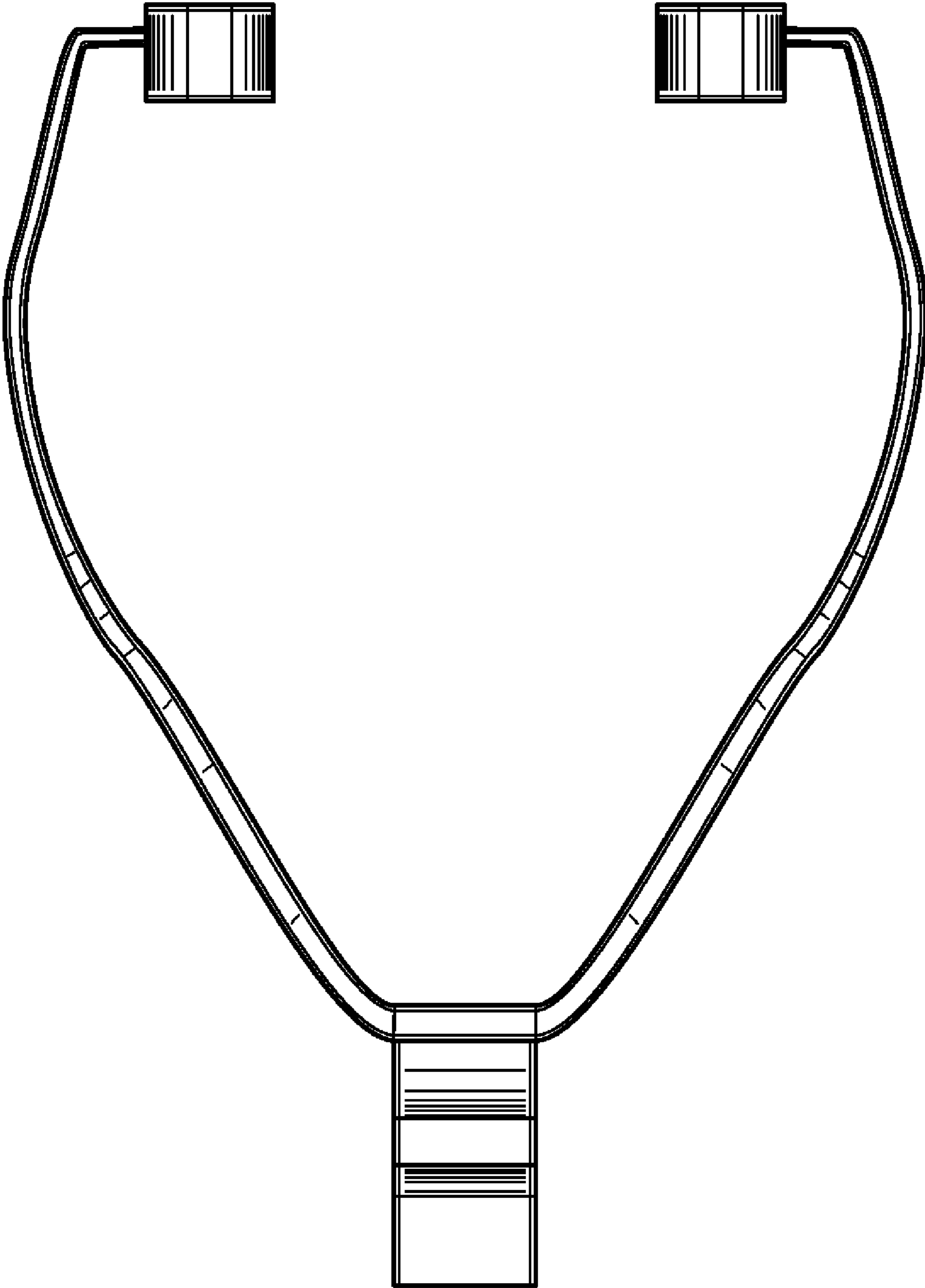


FIG. 6

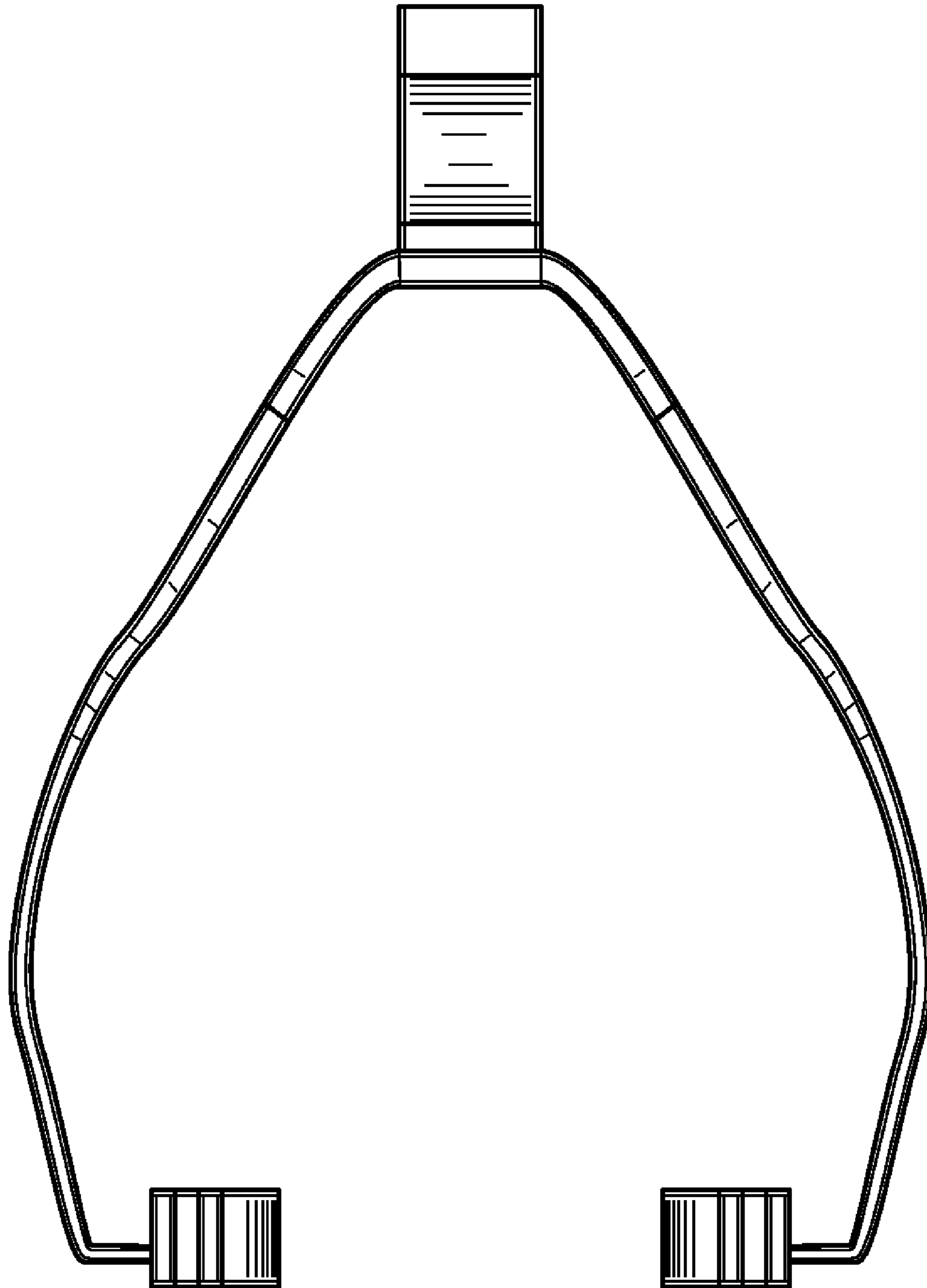


FIG. 7

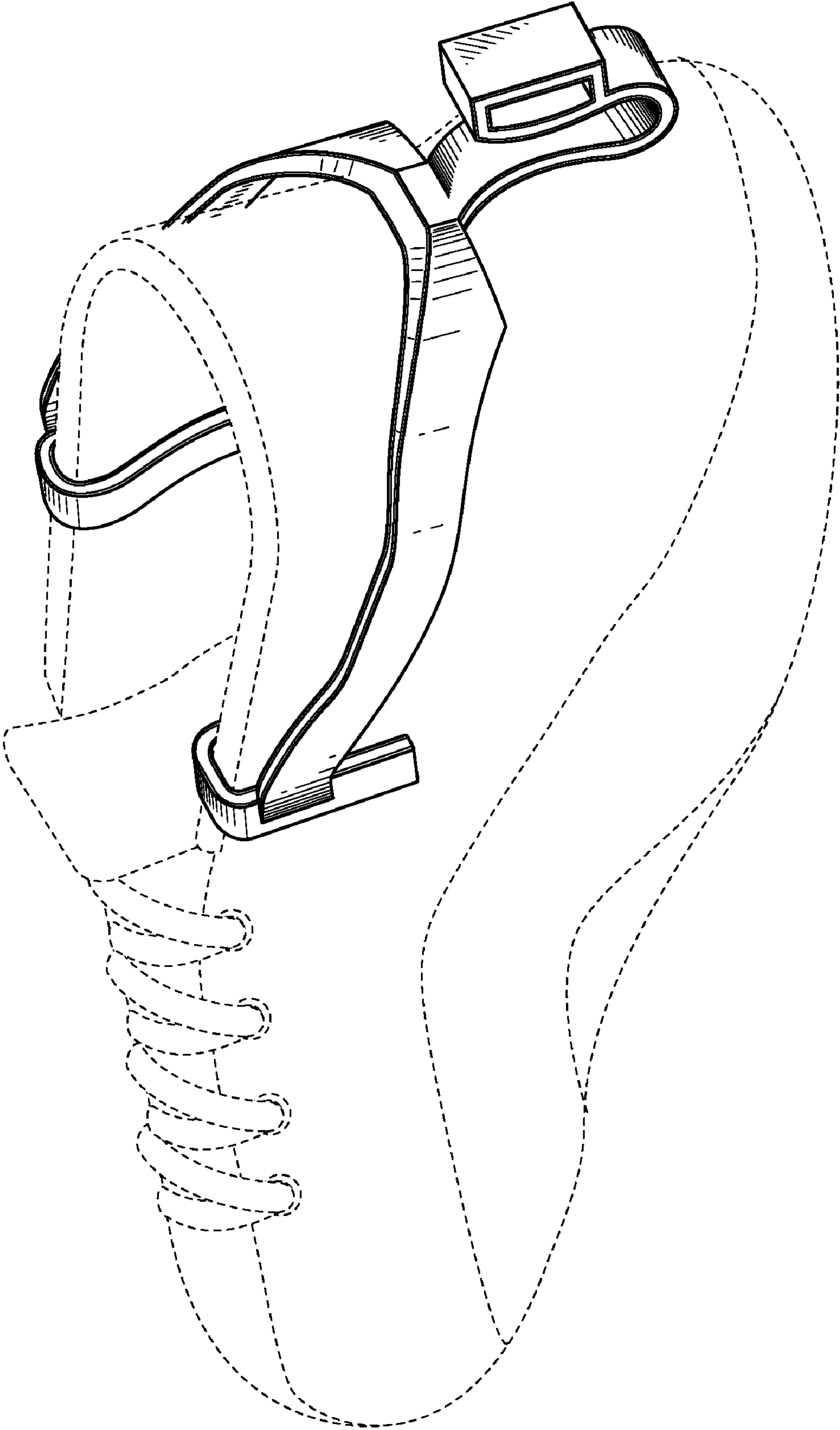


FIG. 8