



US00D629597S

(12) **United States Design Patent**
Ng

(10) **Patent No.:** **US D629,597 S**

(45) **Date of Patent:** **** Dec. 28, 2010**

(54) **PORTION OF A FOOTWEAR UPPER**

D380,592 S * 7/1997 Whittington D2/910
D498,347 S * 11/2004 Gebhardt et al. D2/897
D521,714 S 5/2006 Kelsey

(75) Inventor: **Natalie Ng**, Santa Barbara, CA (US)

* cited by examiner

(73) Assignee: **Deckers Outdoor Corporation**, Goleta, CA (US)

Primary Examiner—Robert M Spear
Assistant Examiner—Rashida C McCoy

(**) Term: **14 Years**

(74) *Attorney, Agent, or Firm*—Greer, Burns & Crain, Ltd.

(21) Appl. No.: **29/346,827**

(57) **CLAIM**

(22) Filed: **Nov. 6, 2009**

The ornamental design for a portion of a footwear upper, as shown and described.

(51) **LOC (9) Cl.** **02-99**

(52) **U.S. Cl.** **D2/970; D2/911**

(58) **Field of Classification Search** D2/896,
D2/900, 909–911, 943, 946, 969, 970, 974;
36/83, 1.5, 2 R, 109, 3 A, 7.1 R, 45, 52, 112,
36/100

See application file for complete search history.

DESCRIPTION

FIG. 1 is a perspective view of a portion of a footwear upper showing my new design;

FIG. 2 is a side elevational view thereof;

FIG. 3 is an opposite side elevational view thereof;

FIG. 4 is a front elevational view thereof;

FIG. 5 is a rear elevational view thereof;

FIG. 6 is a top plan view thereof; and,

FIG. 7 is a bottom plan view thereof.

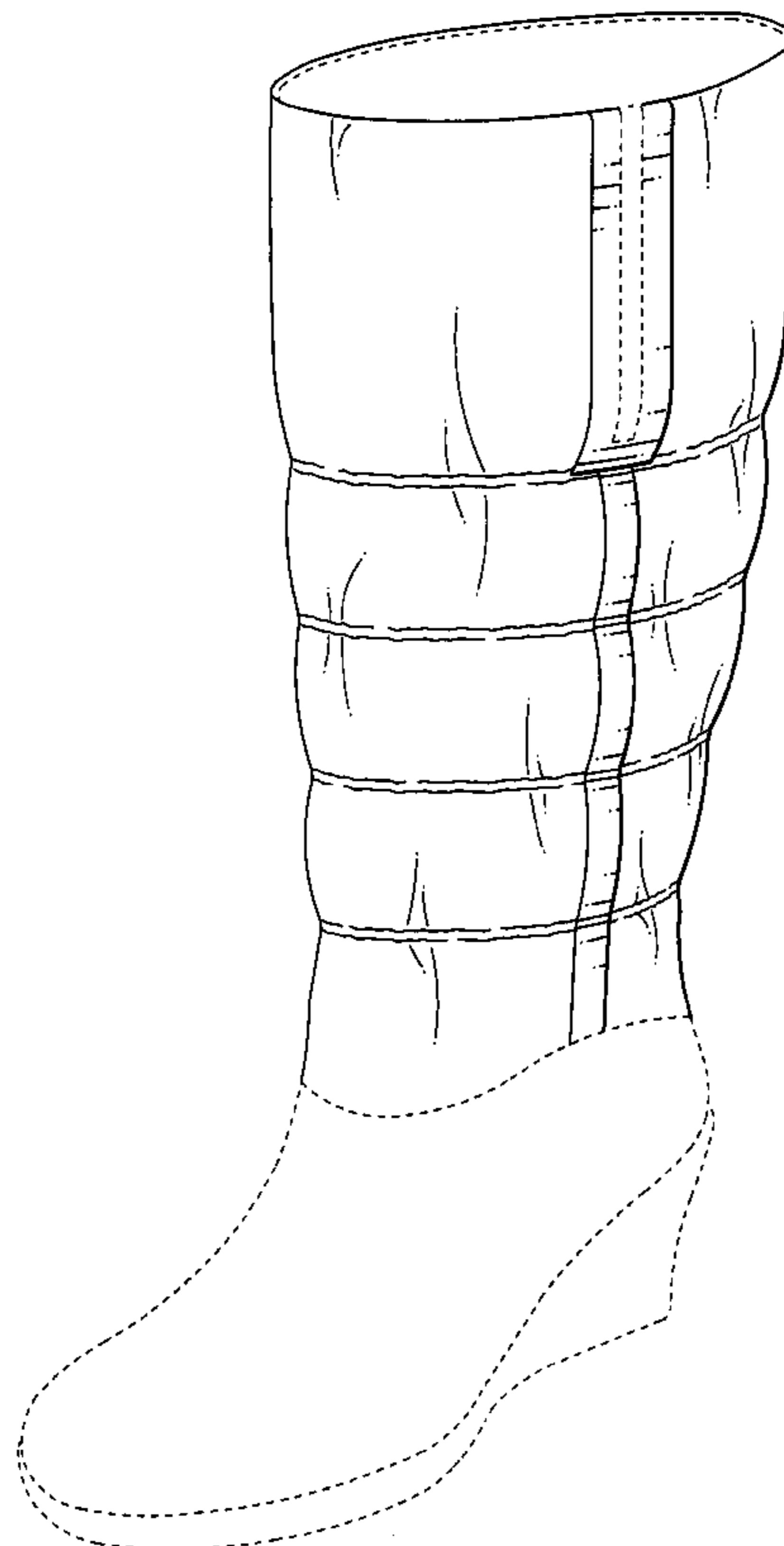
The broken lines in FIGS. 1-7 represent portions of the footwear that form no part of the claimed design. The broken lines which define the bounds of the claimed design form no part thereof.

(56) **References Cited**

U.S. PATENT DOCUMENTS

D46,548 S * 10/1914 Saunders D2/910
D97,613 S * 11/1935 Mackey D2/910
D154,461 S * 7/1949 Burt D2/910
D234,063 S * 1/1975 Famolare D2/911
D253,137 S * 10/1979 Foldes D2/910
D282,408 S * 2/1986 Nissenbaum D2/910
D290,062 S * 6/1987 Valori D2/899
D306,931 S * 4/1990 Itzkowitz D2/911

1 Claim, 5 Drawing Sheets



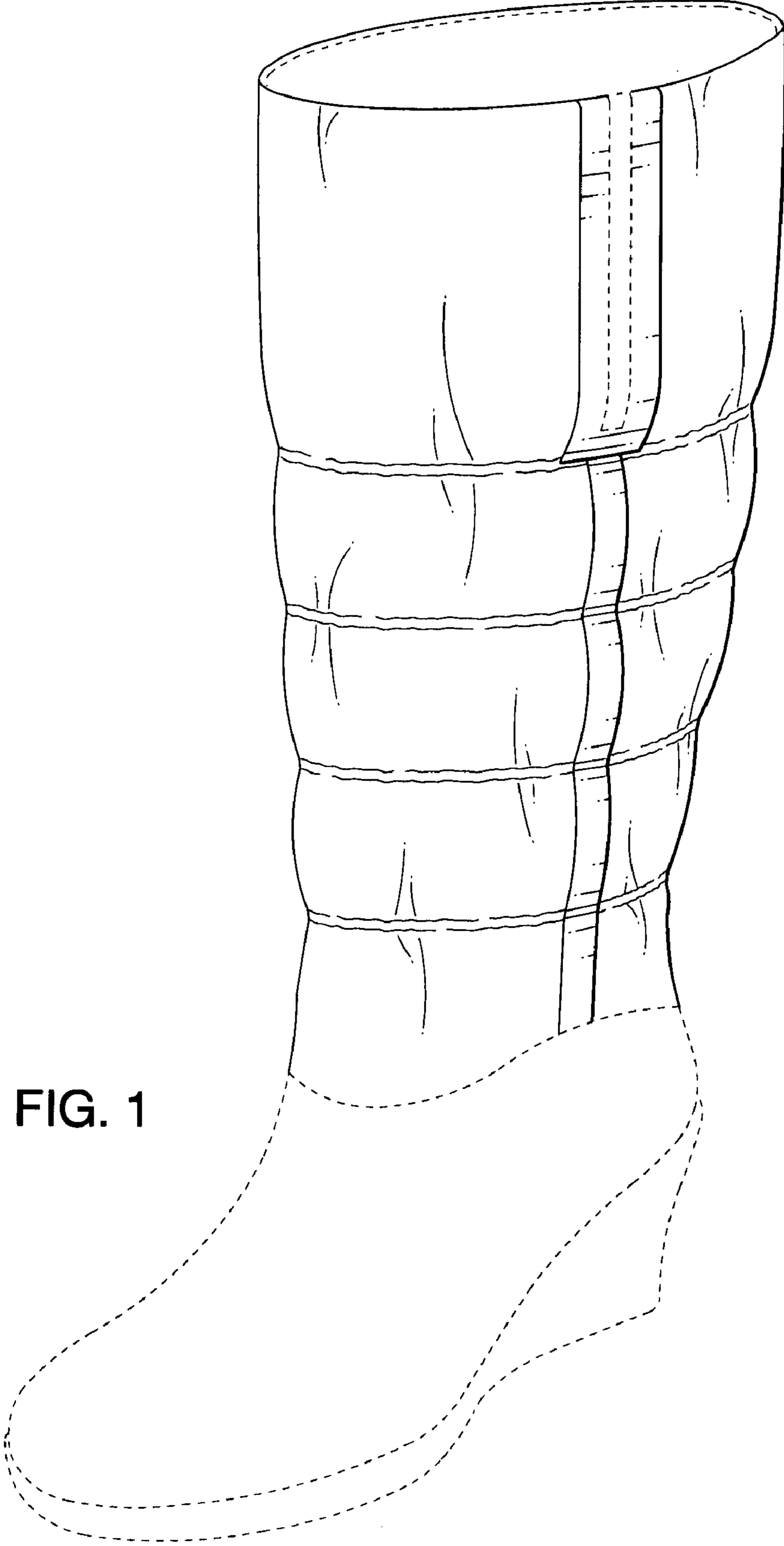


FIG. 1

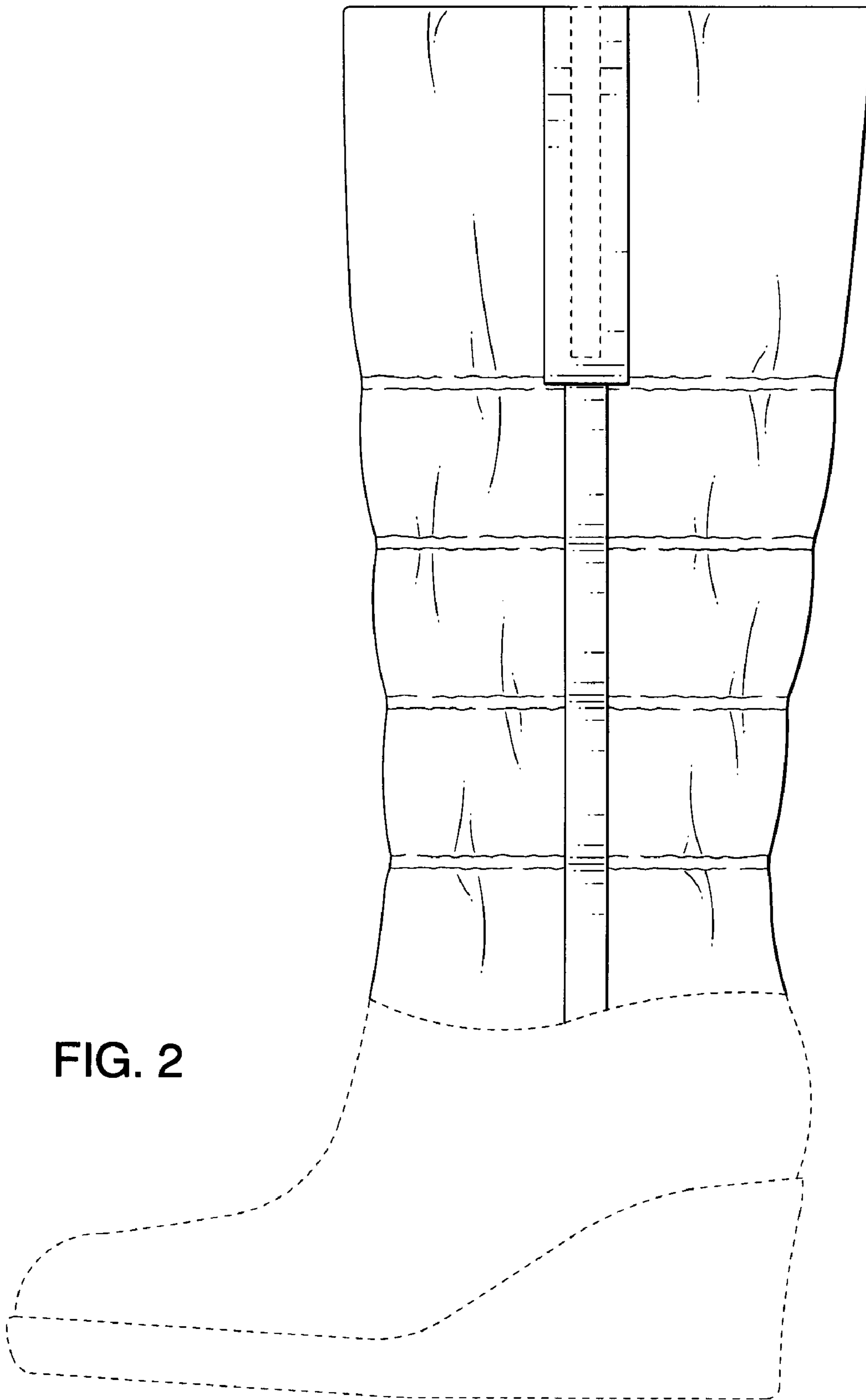


FIG. 2

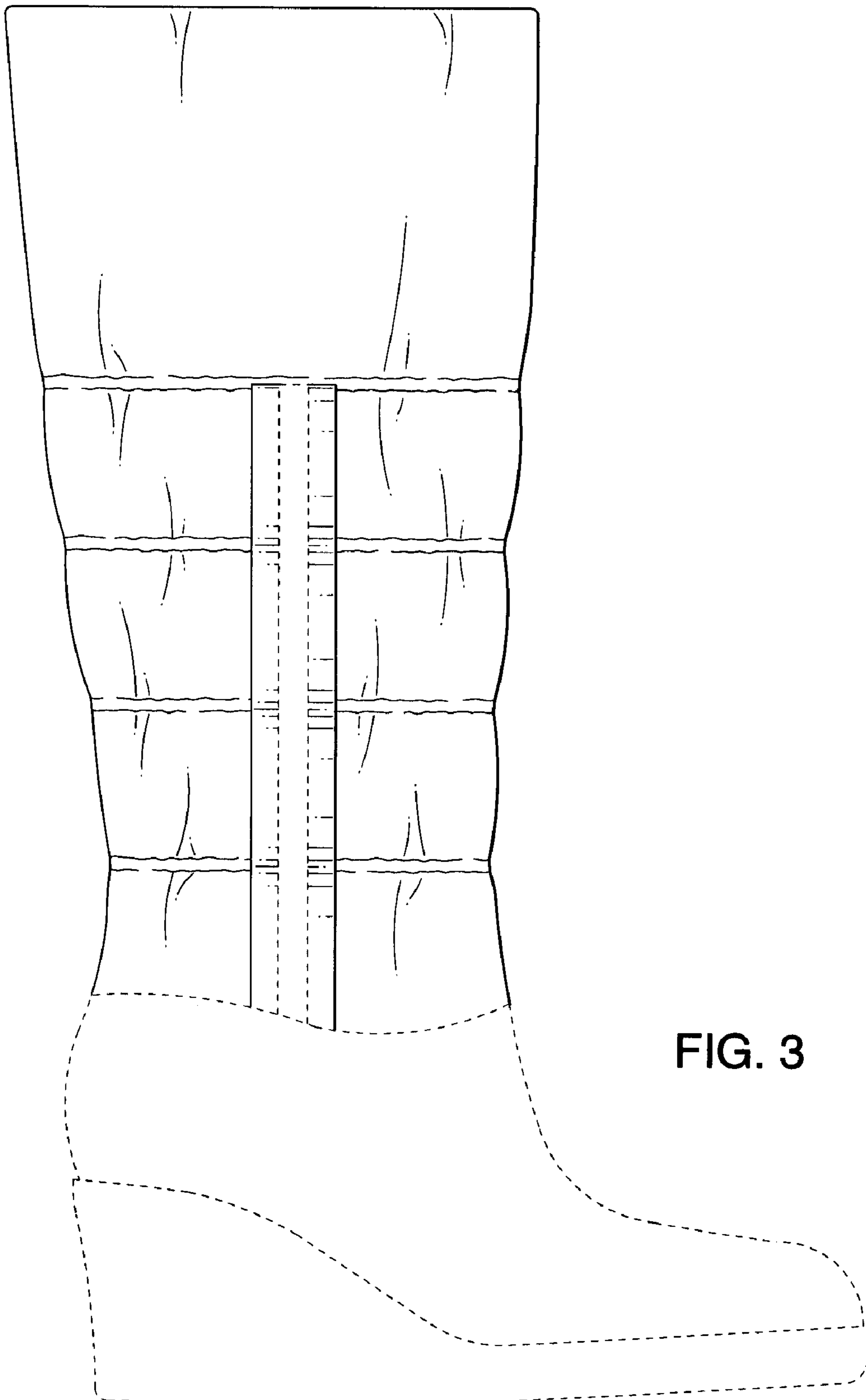
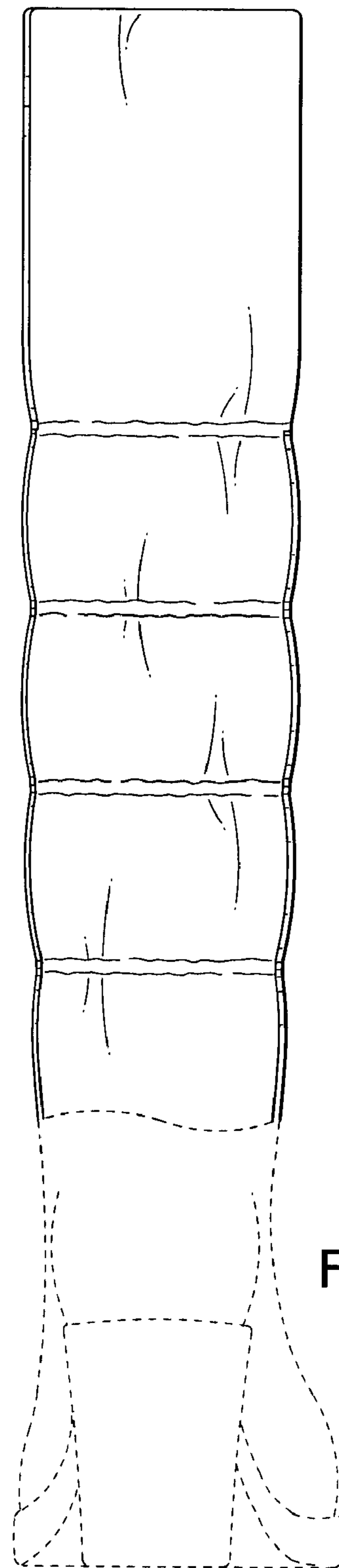
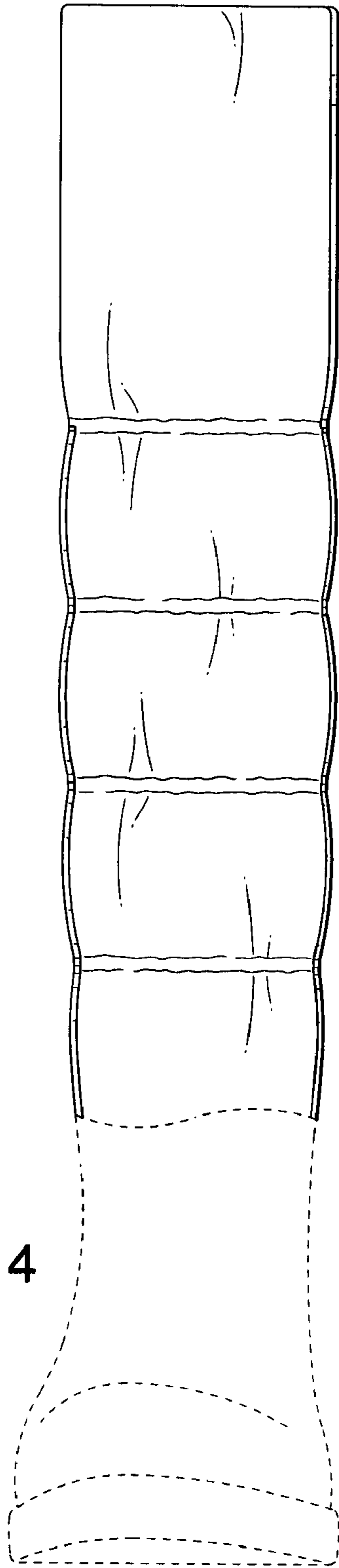


FIG. 3



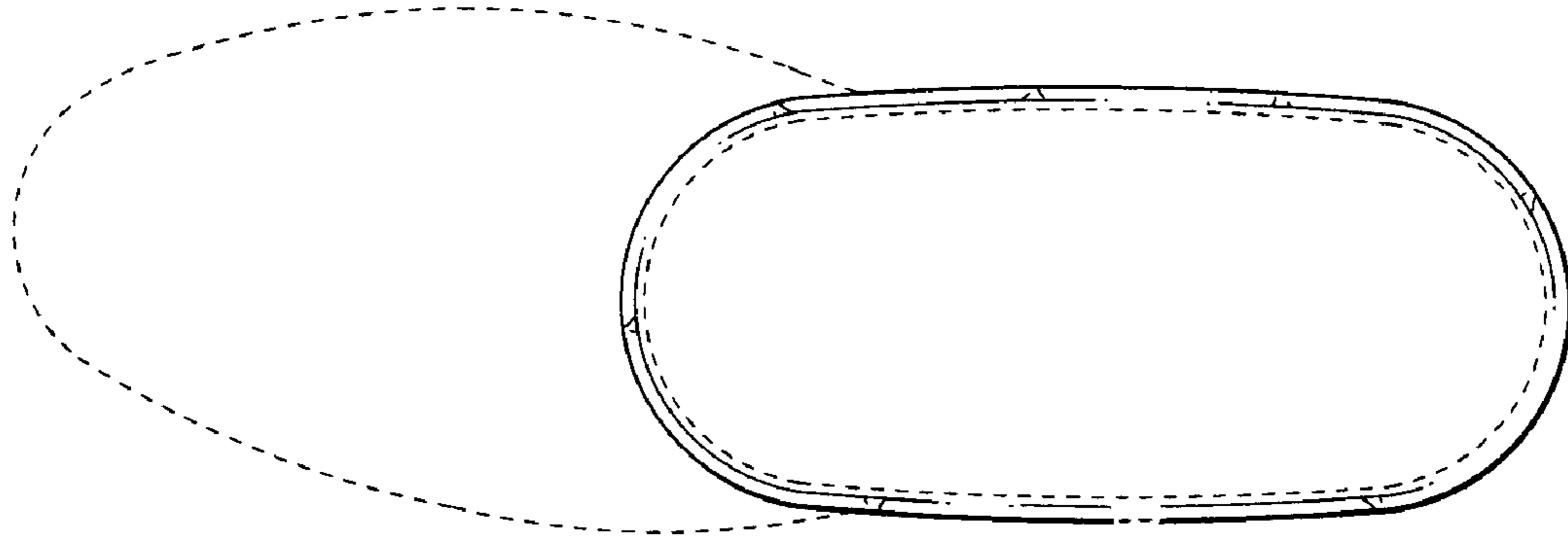


FIG. 6

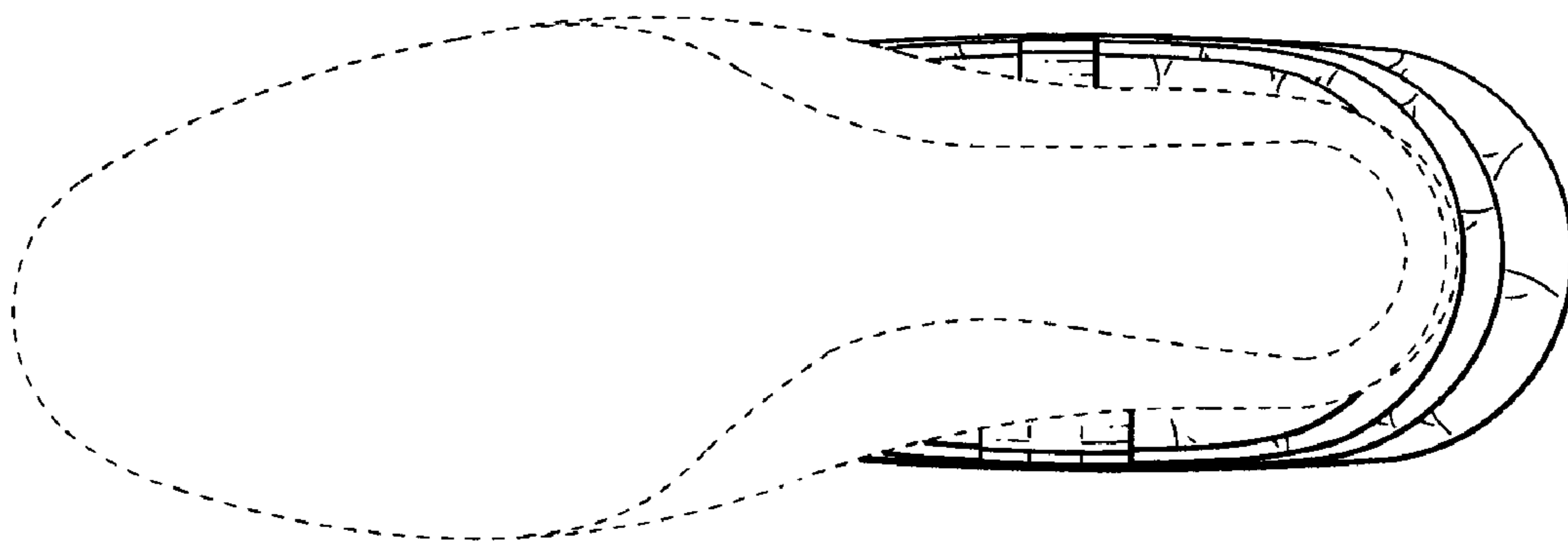


FIG. 7