



US00D629585S

(12) **United States Design Patent**
Bleck et al.

(10) **Patent No.:** **US D629,585 S**

(45) **Date of Patent:** **** Dec. 21, 2010**

(54) **DATA-PROCESSING SYSTEM**

(75) Inventors: **Frank Bleck**, Paderborn (DE); **Udo Hesselbach**, Bueren (DE); **Bernd Kruse**, Altenbeken (DE); **Gregor Pollmann**, Paderborn (DE)

(73) Assignee: **Wincor Nixdorf International GmbH** (DE)

(**) Term: **14 Years**

(21) Appl. No.: **29/359,924**

(22) Filed: **Apr. 16, 2010**

(30) **Foreign Application Priority Data**

Oct. 21, 2009 (EM) 001626383
Oct. 22, 2009 (EM) 001626755
Oct. 22, 2009 (EM) 001626854

(51) **LOC (9) Cl.** **20-01**

(52) **U.S. Cl.** **D99/28; D14/307; D14/900; D14/901; D14/902**

(58) **Field of Classification Search** D14/302–307, D14/129, 900–902; D13/163; D18/4.1–4.6; D21/329, 332, 325, 369, 370; D99/28; 361/679.1, 361/679.02, 679.04, 679.21, 679.57, 724; 194/206; 235/379; 271/164; 705/43
See application file for complete search history.

(56) **References Cited**

U.S. PATENT DOCUMENTS

D388,229 S * 12/1997 Couch D99/28
D396,932 S * 8/1998 Johnson D99/28
D398,133 S * 9/1998 Johnson D99/28
D405,933 S * 2/1999 Johnson D99/28
6,029,888 A * 2/2000 Harvey 235/379
D423,755 S * 4/2000 Ha D99/28
D427,413 S * 6/2000 Wallace et al. D99/35
D437,468 S * 2/2001 Fukutake et al. D99/28
D447,164 S * 8/2001 Forslund D18/3.1
D449,076 S * 10/2001 Dumouchel D20/10
D456,587 S * 4/2002 Kit et al. D99/28

6,527,172 B1 * 3/2003 Lewis et al. 235/379
D481,515 S * 10/2003 Magee et al. D99/28
6,732,918 B2 * 5/2004 Coventry 235/379
D492,082 S * 6/2004 Magee et al. D99/28
D494,730 S * 8/2004 Magee et al. D99/28
D505,240 S * 5/2005 Swaine et al. D99/28
D532,579 S * 11/2006 Kang et al. D99/28
7,204,411 B2 * 4/2007 Scarafilo et al. 235/380
7,222,782 B2 * 5/2007 Lute et al. 235/379
7,306,142 B2 * 12/2007 Magee et al. 235/379
7,419,091 B1 * 9/2008 Scanlon 235/379
D581,625 S * 11/2008 De Andrade D99/28
D584,875 S * 1/2009 Bleck D99/28
D586,579 S * 2/2009 Hunayama et al. D6/402
D590,575 S * 4/2009 Bleck D99/43
D597,275 S * 7/2009 Lee D99/28
D602,225 S * 10/2009 Lute et al. D99/28
2005/0029340 A1 * 2/2005 Ferraro 235/379
2006/0073883 A1 * 4/2006 Franks 463/25
2008/0265019 A1 * 10/2008 Artino et al. 235/379
2008/0296365 A1 * 12/2008 Schliebe 235/379

OTHER PUBLICATIONS

U.S. Appl. No. 29/359,915, filed Apr. 16, 2010, Frank Bleck, et al.
U.S. Appl. No. 29/359,928, filed Apr. 16, 2010, Frank Bleck, et al.
U.S. Appl. No. 29/359,934, filed Apr. 16, 2010, Frank Bleck, et al.
ProCash 2000xe Monofunction Cash Dispenser for Lobby Installations, Wincor Nixdorf International GmbH, Jun. 2007.

* cited by examiner

Primary Examiner—Cathron C Brooks
Assistant Examiner—Deanna Fluegeman
(74) *Attorney, Agent, or Firm*—Harness, Dickey & Pierce, P.L.C.

(57) **CLAIM**

The ornamental design for a data-processing system, as shown and described.

DESCRIPTION

FIG. 1 is a perspective view of the first embodiment of the data-processing system of our new design;

FIG. 2 is a front view thereof;

FIG. 3 is a rear view thereof;

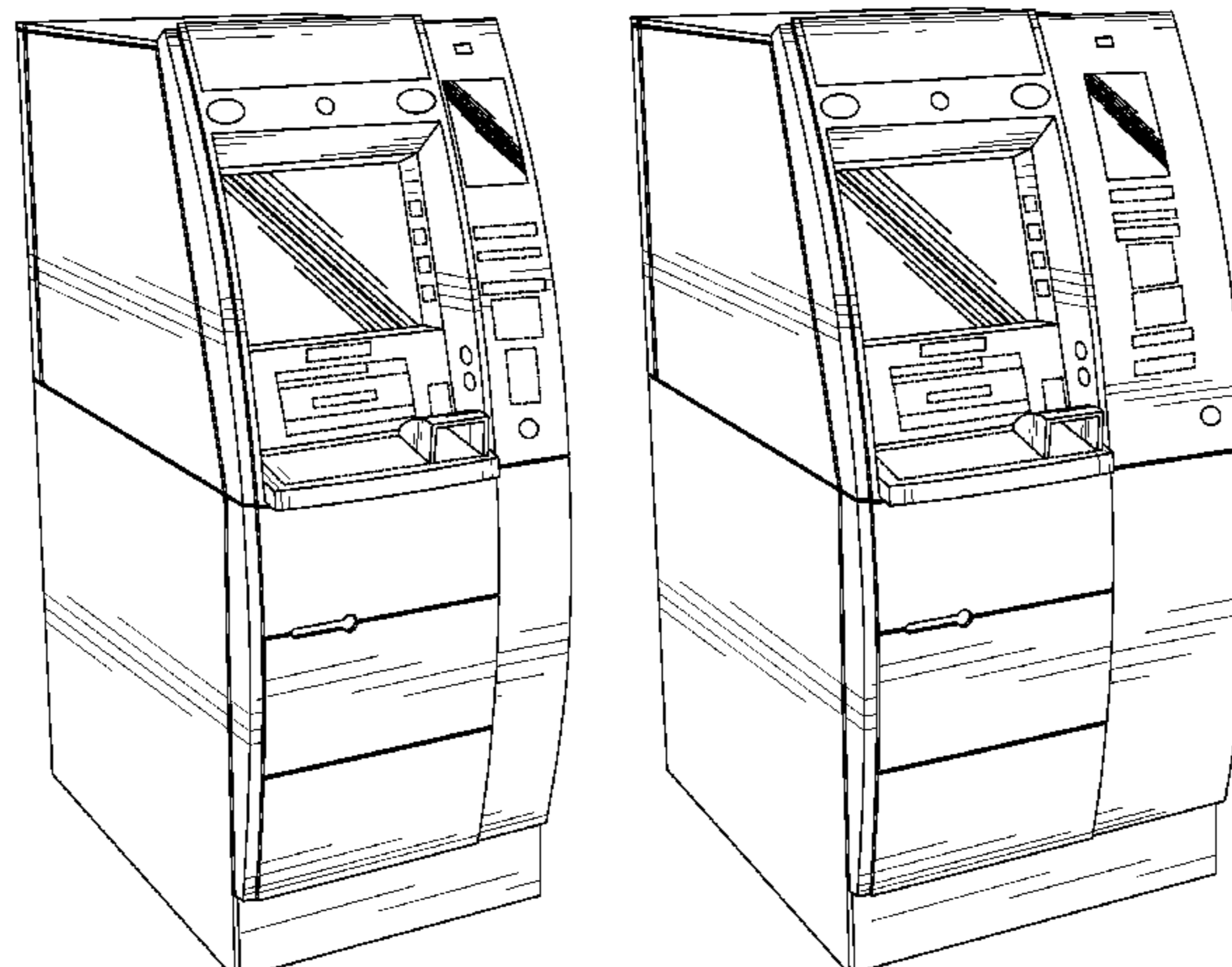


FIG. 4 is a right side view thereof, the left side view being a mirror image of the right side view;

FIG. 5 is a top view thereof;

FIG. 6 is a bottom view thereof;

FIG. 7 is a perspective view of the second embodiment of the data-processing system of our new design;

FIG. 8 is a front view thereof;

FIG. 9 is a rear view thereof;

FIG. 10 is a right side view thereof, the left side view being a mirror image of the right side view;

FIG. 11 is a top view thereof;

FIG. 12 is a bottom view thereof;

FIG. 13 is a perspective view of the third embodiment of the data-processing system of our new design;

FIG. 14 is a front view thereof;

FIG. 15 is a rear view thereof;

FIG. 16 is a right side view thereof, the left side view being a mirror image of the right side view;

FIG. 17 is a top view thereof;

FIG. 18 is a bottom view thereof;

FIG. 19 is a perspective view of the fourth embodiment of the data-processing system of our new design;

FIG. 20 is a front view thereof;

FIG. 21 is a rear view thereof;

FIG. 22 is a right side view thereof, the left side view being a mirror image of the right side view;

FIG. 23 is a top view thereof;

FIG. 24 is a bottom view thereof;

FIG. 25 is a perspective view of the fifth embodiment of the data-processing system of our new design;

FIG. 26 is a front view thereof;

FIG. 27 is a rear view thereof;

FIG. 28 is a right side view thereof, the left side view being a mirror image of the right side view;

FIG. 29 is a top view thereof;

FIG. 30 is a bottom view thereof;

FIG. 31 is a perspective view of the sixth embodiment of the data-processing system of our new design;

FIG. 32 is a front view thereof;

FIG. 33 is a rear view thereof;

FIG. 34 is a right side view thereof, the left side view being a mirror image of the right side view;

FIG. 35 is a top view thereof;

FIG. 36 is a bottom view thereof;

FIG. 37 is a perspective view of the seventh embodiment of the data-processing system of our new design;

FIG. 38 is a front view thereof;

FIG. 39 is a rear view thereof;

FIG. 40 is a right side view thereof, the left side view being a mirror image of the right side view;

FIG. 41 is a top view thereof; and,

FIG. 42 is a bottom view thereof.

The broken lines in the drawings illustrate unclaimed environment and form no part of the claimed design.

1 Claim, 28 Drawing Sheets

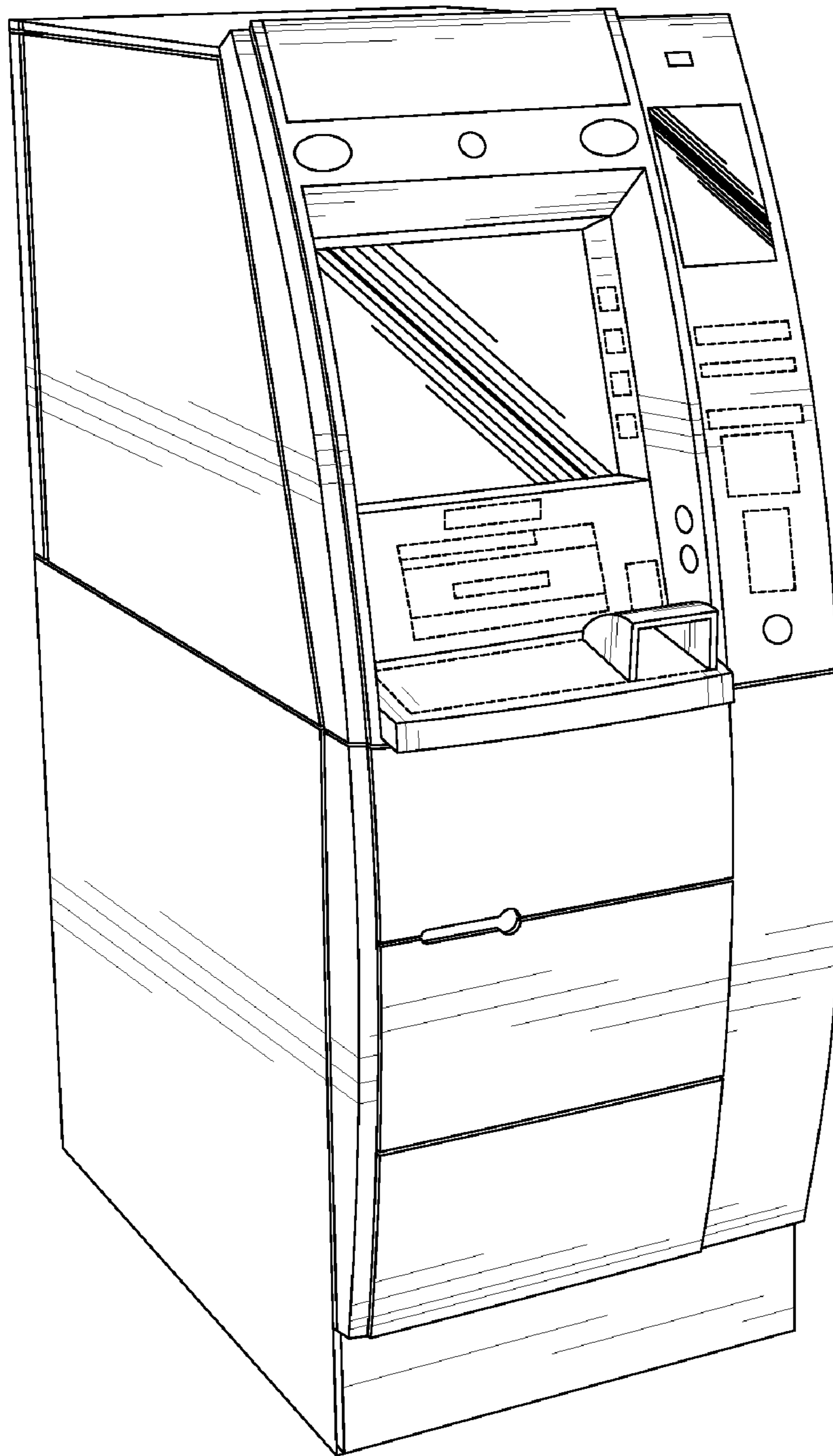


Fig. 1

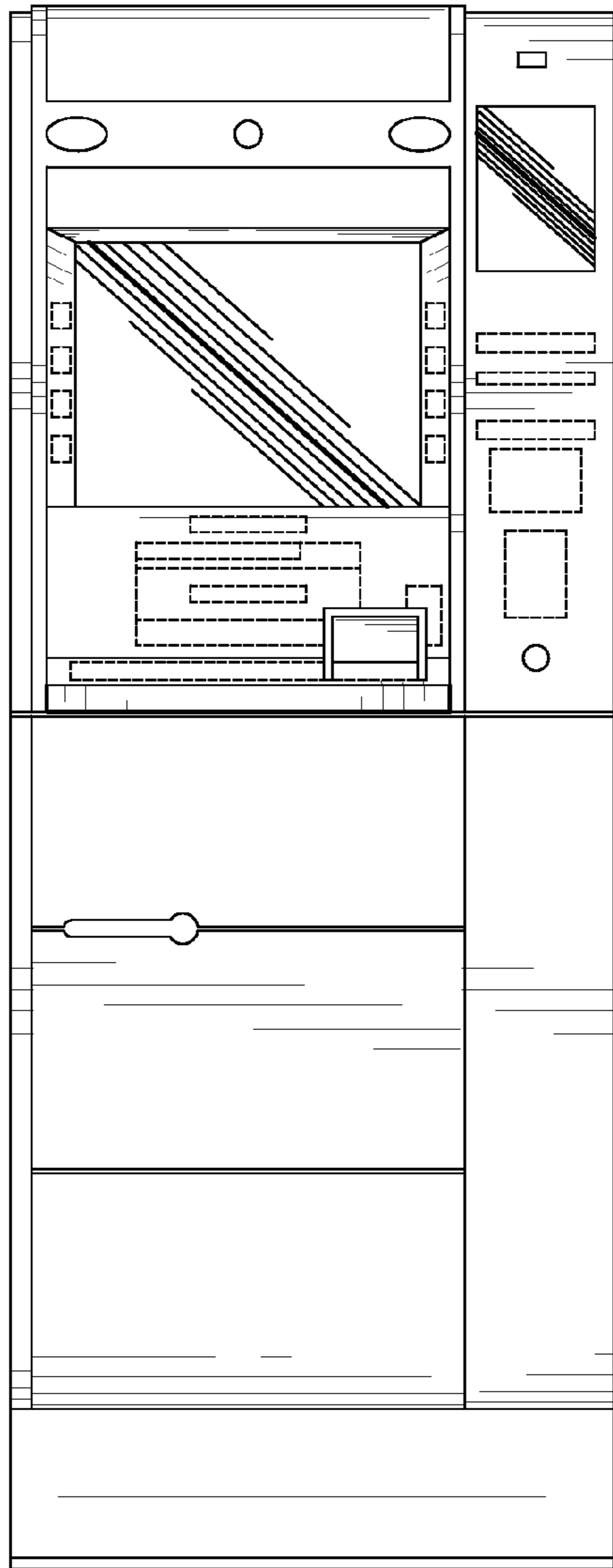


Fig. 2



Fig. 3

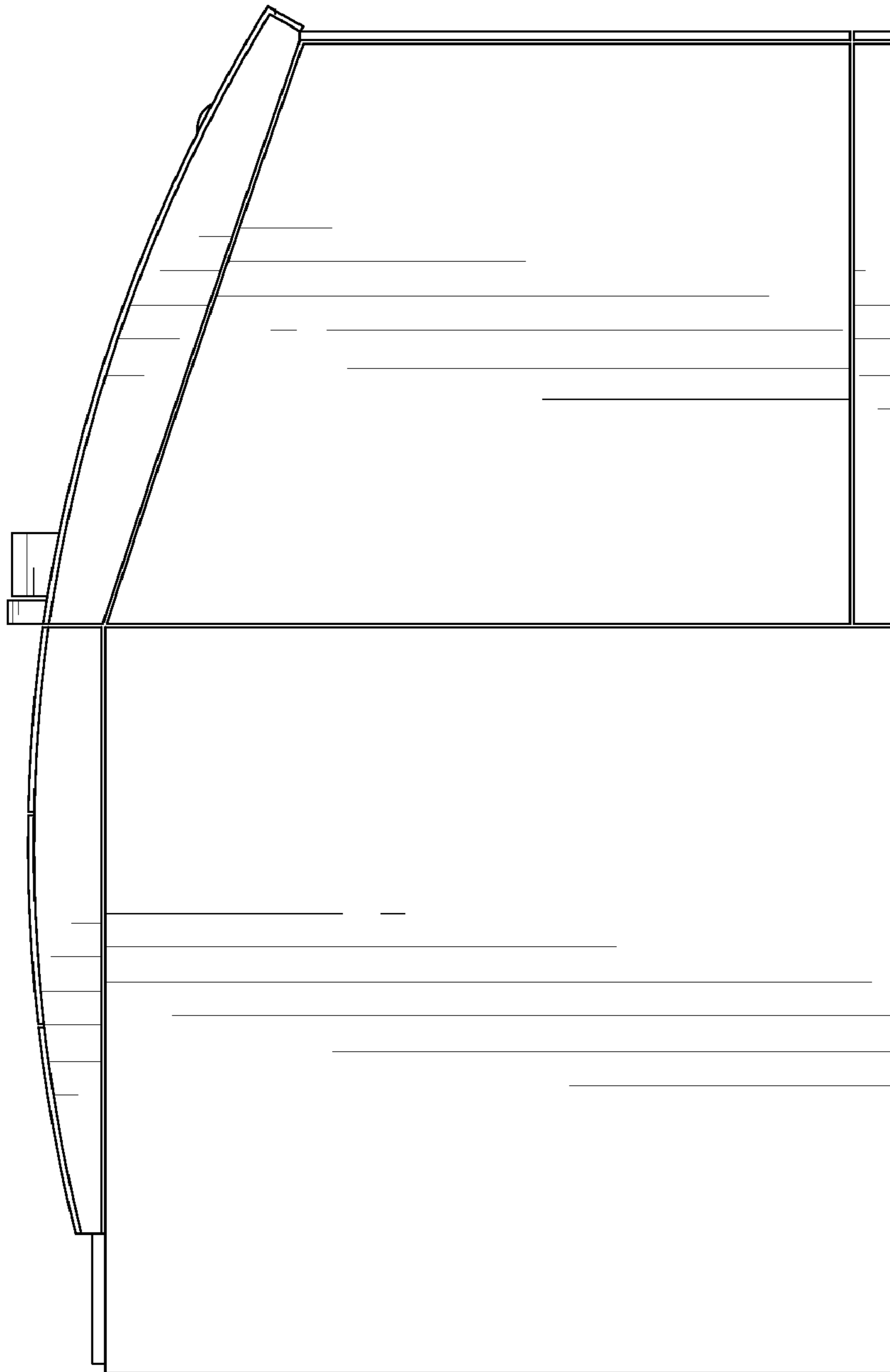


Fig. 4

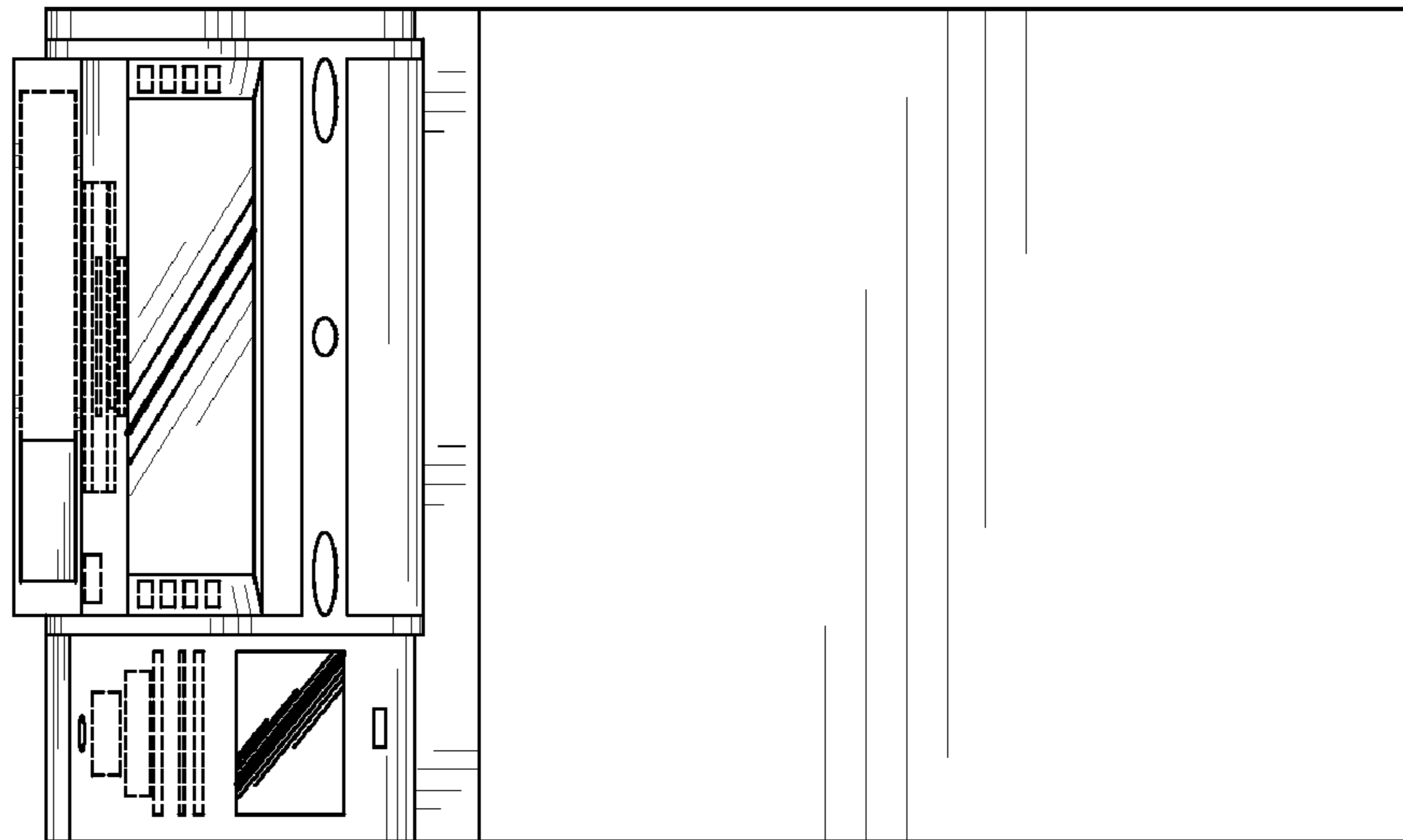


Fig. 5

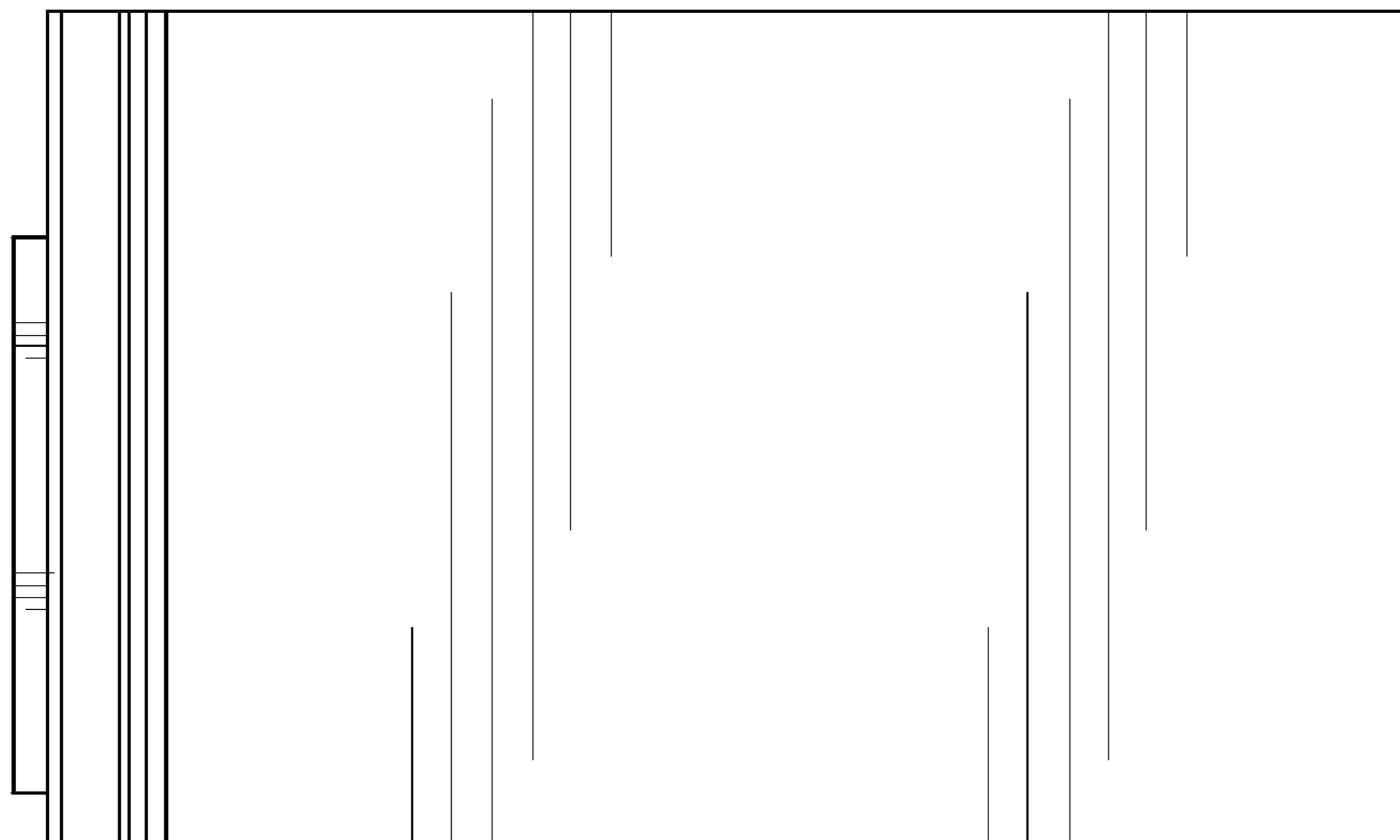


Fig. 6

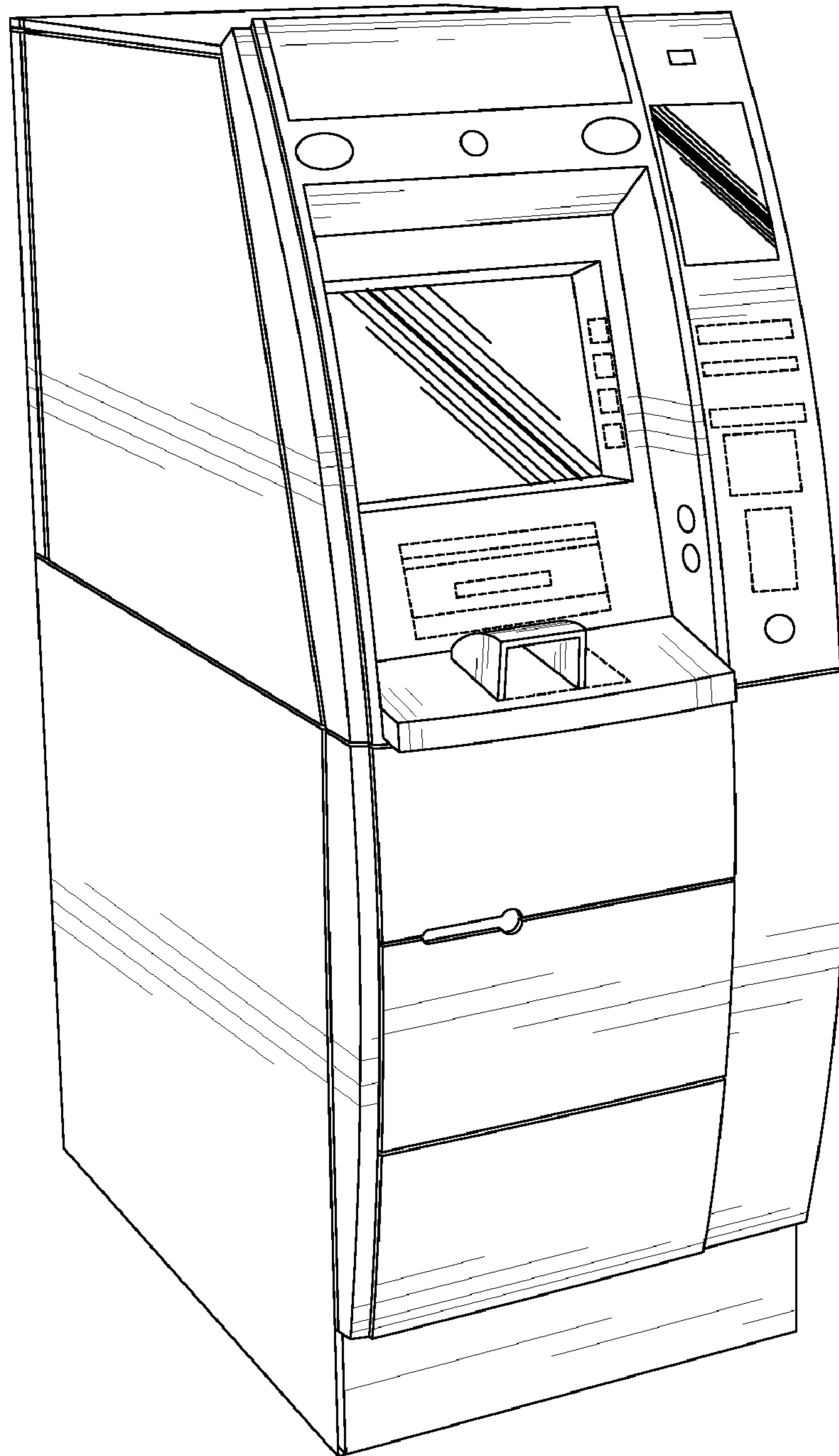


Fig. 7

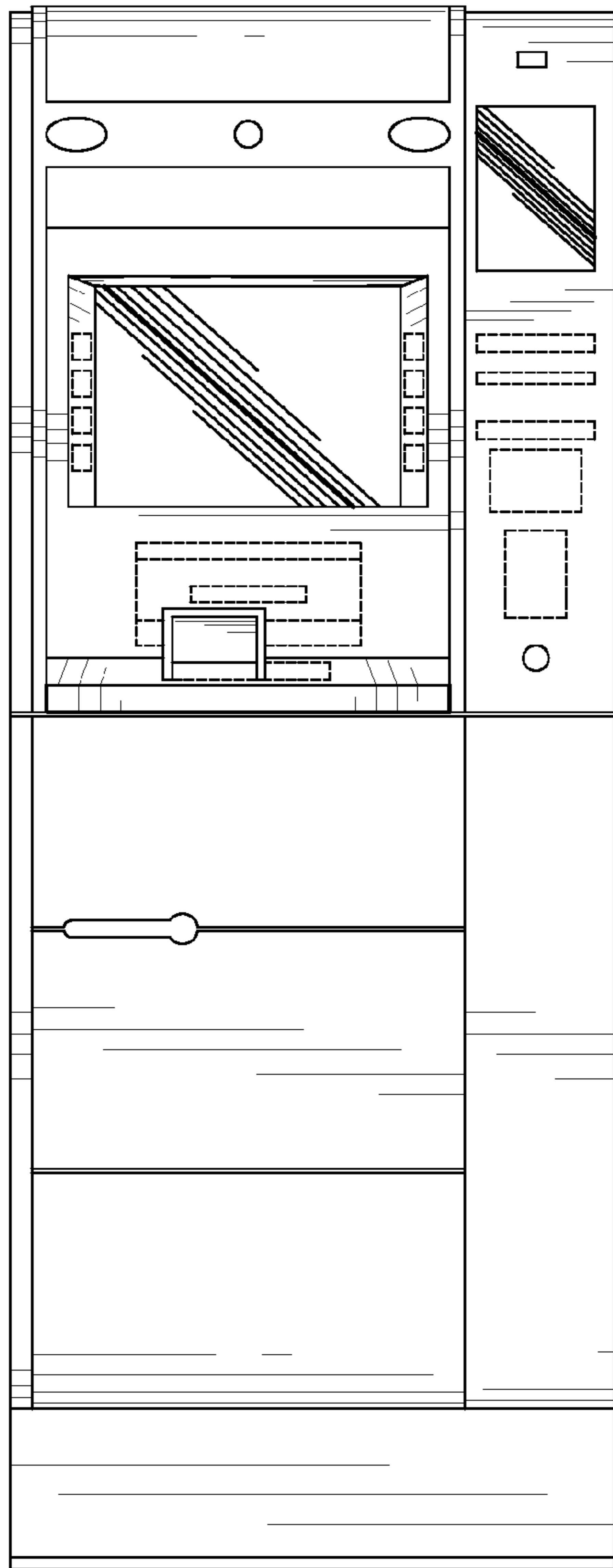


Fig. 8

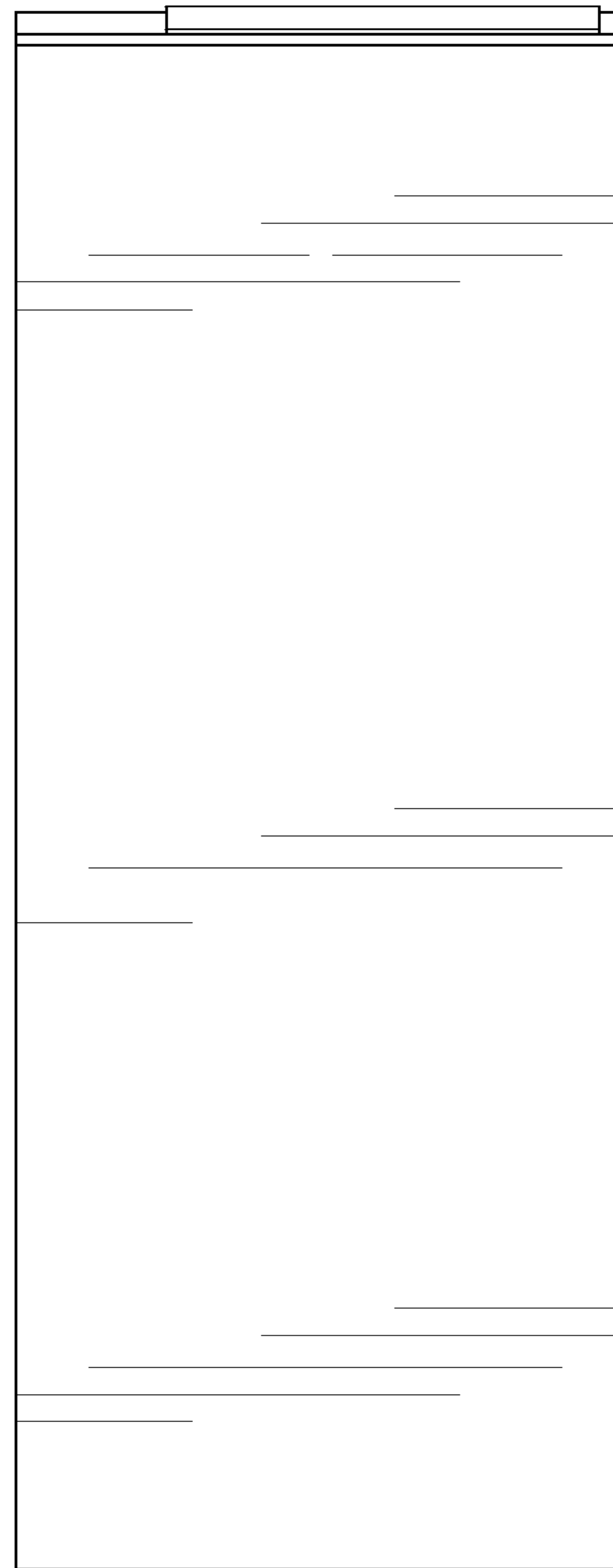


Fig. 9

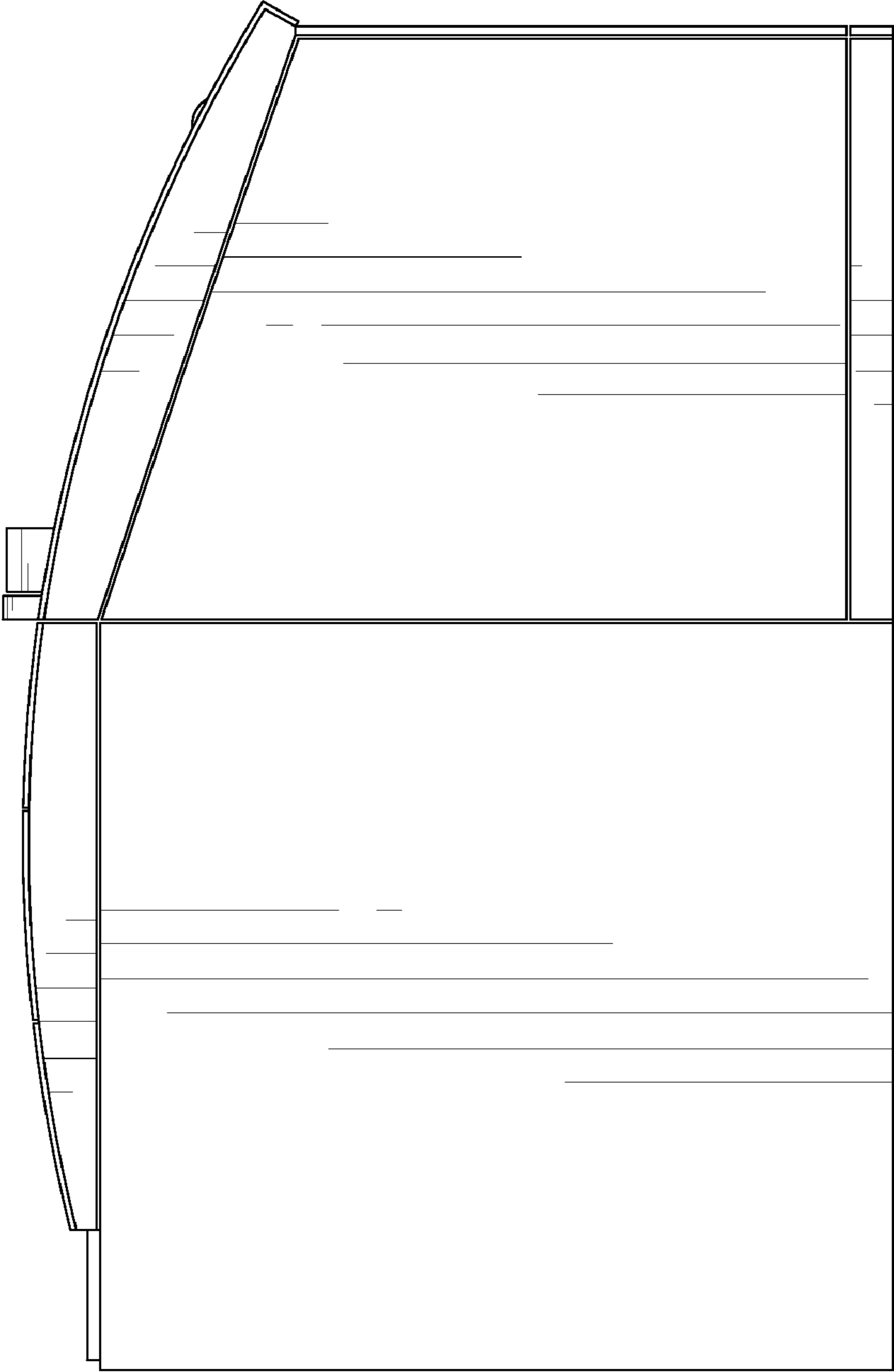


Fig. 10

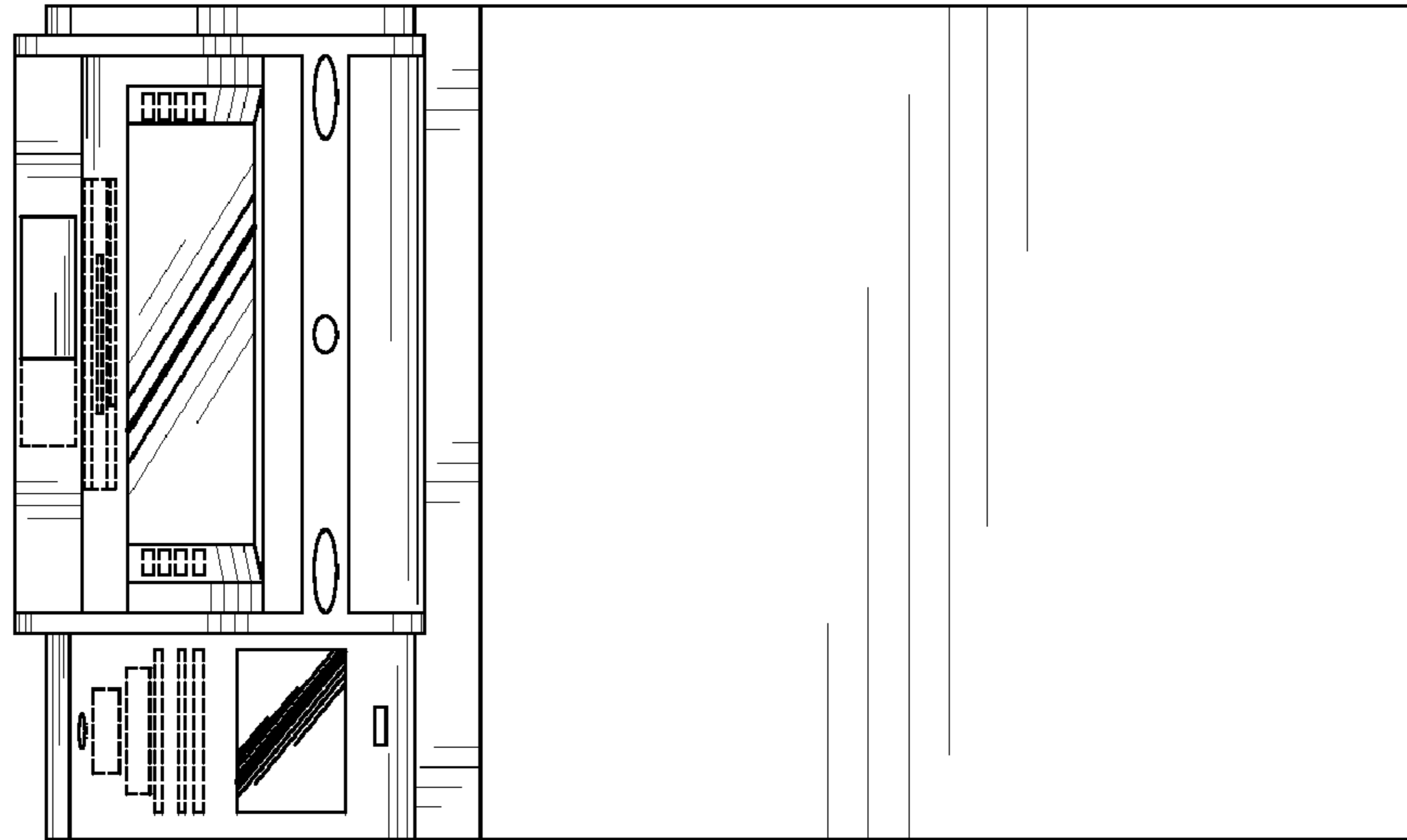


Fig. 11

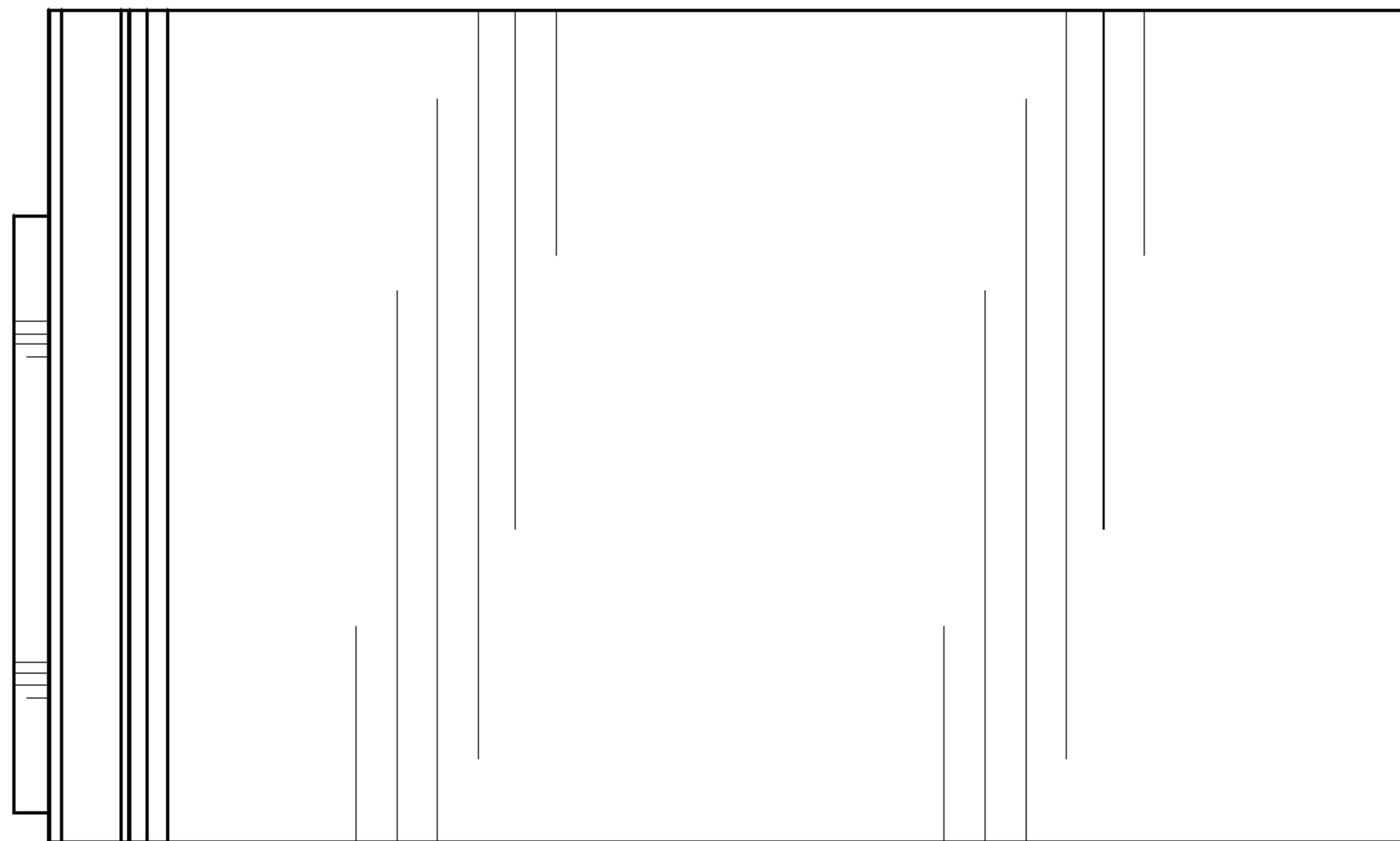


Fig. 12

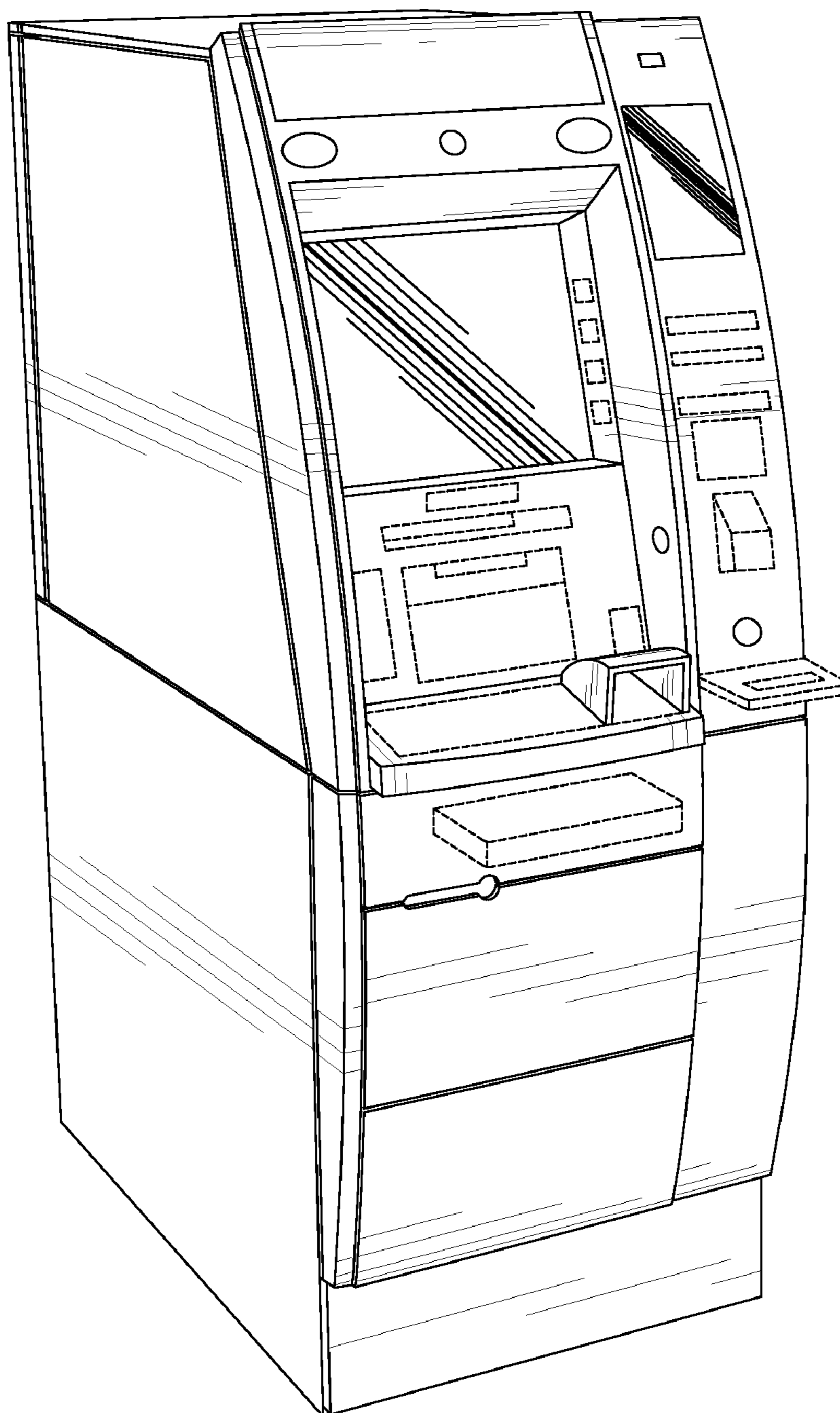


Fig. 13

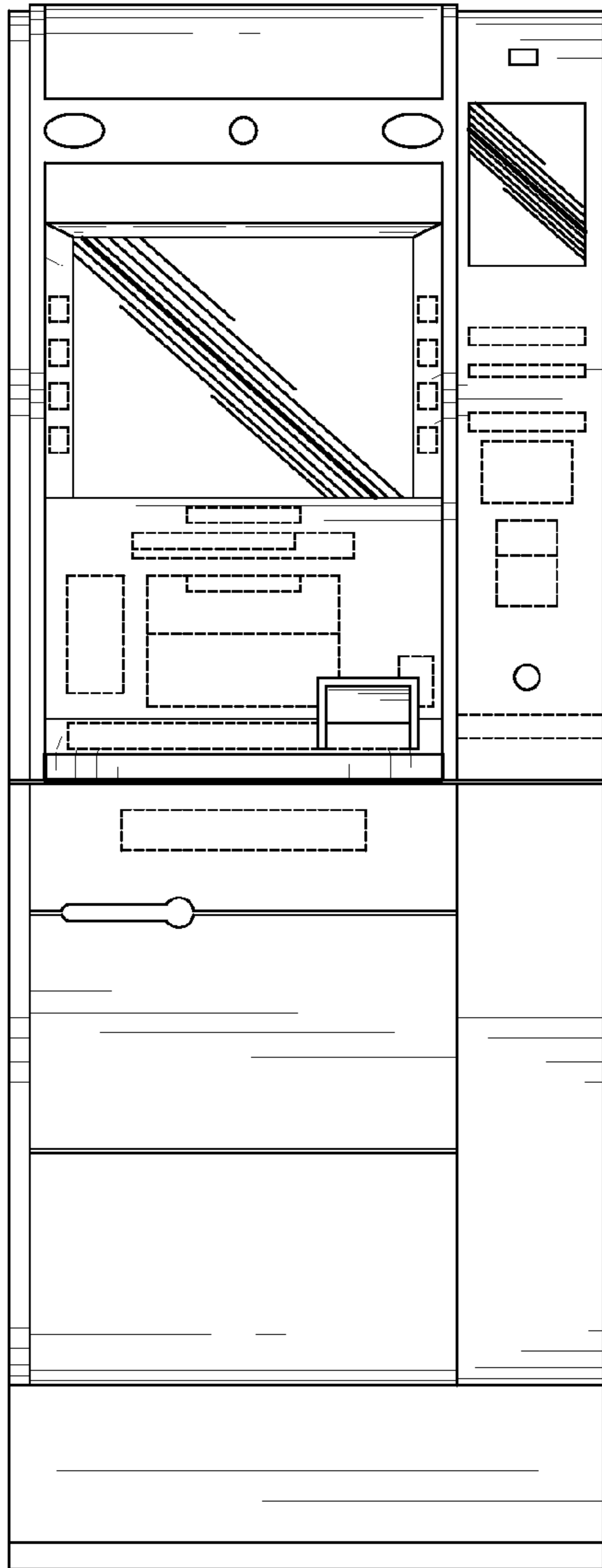


Fig. 14

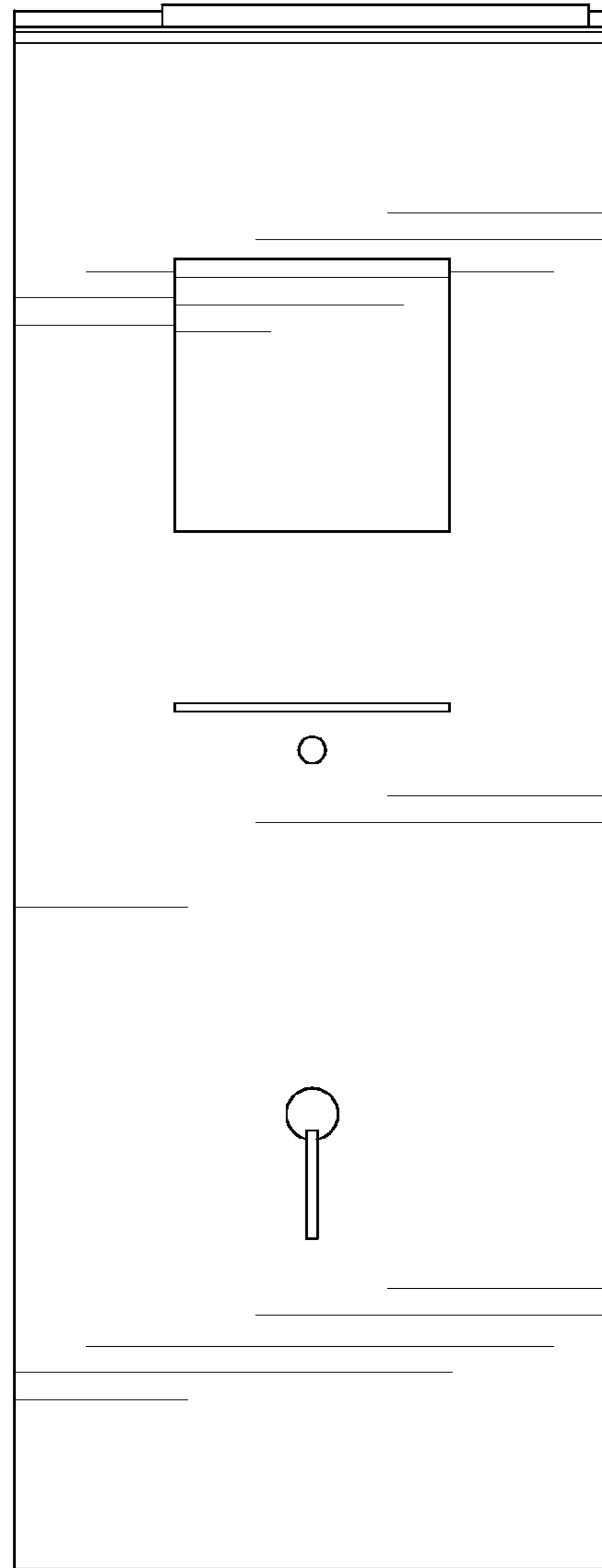


Fig. 15

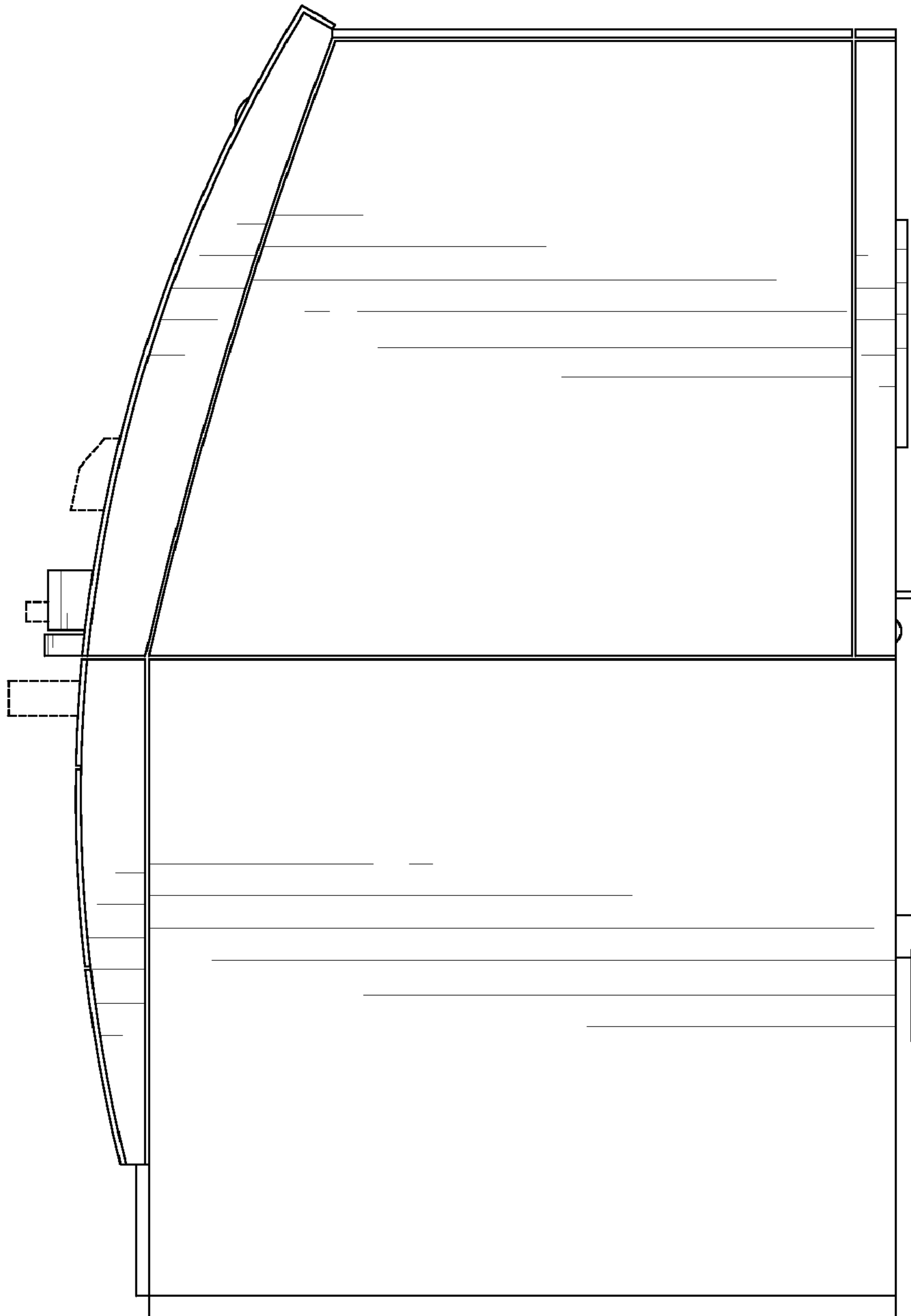


Fig. 16

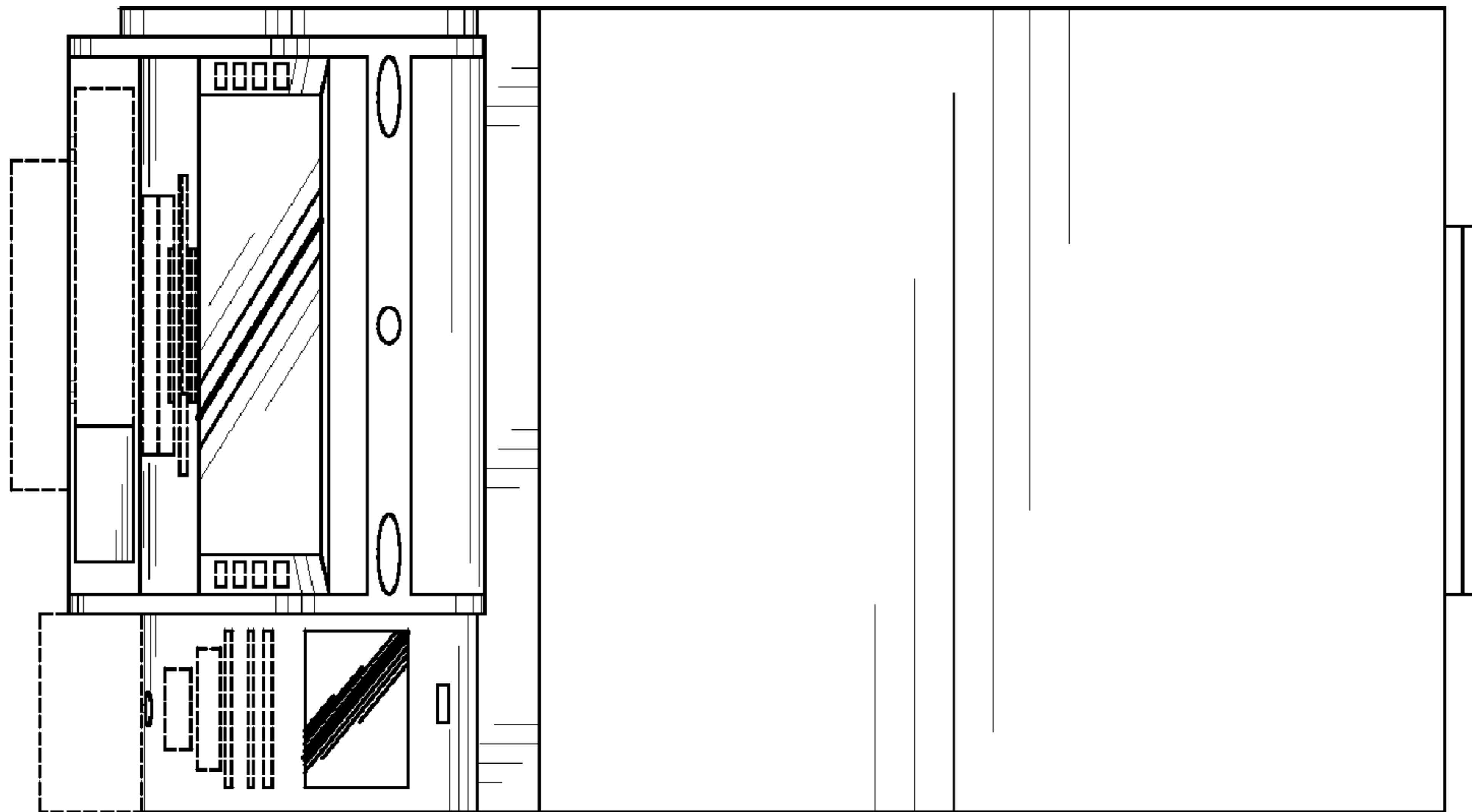


Fig. 17

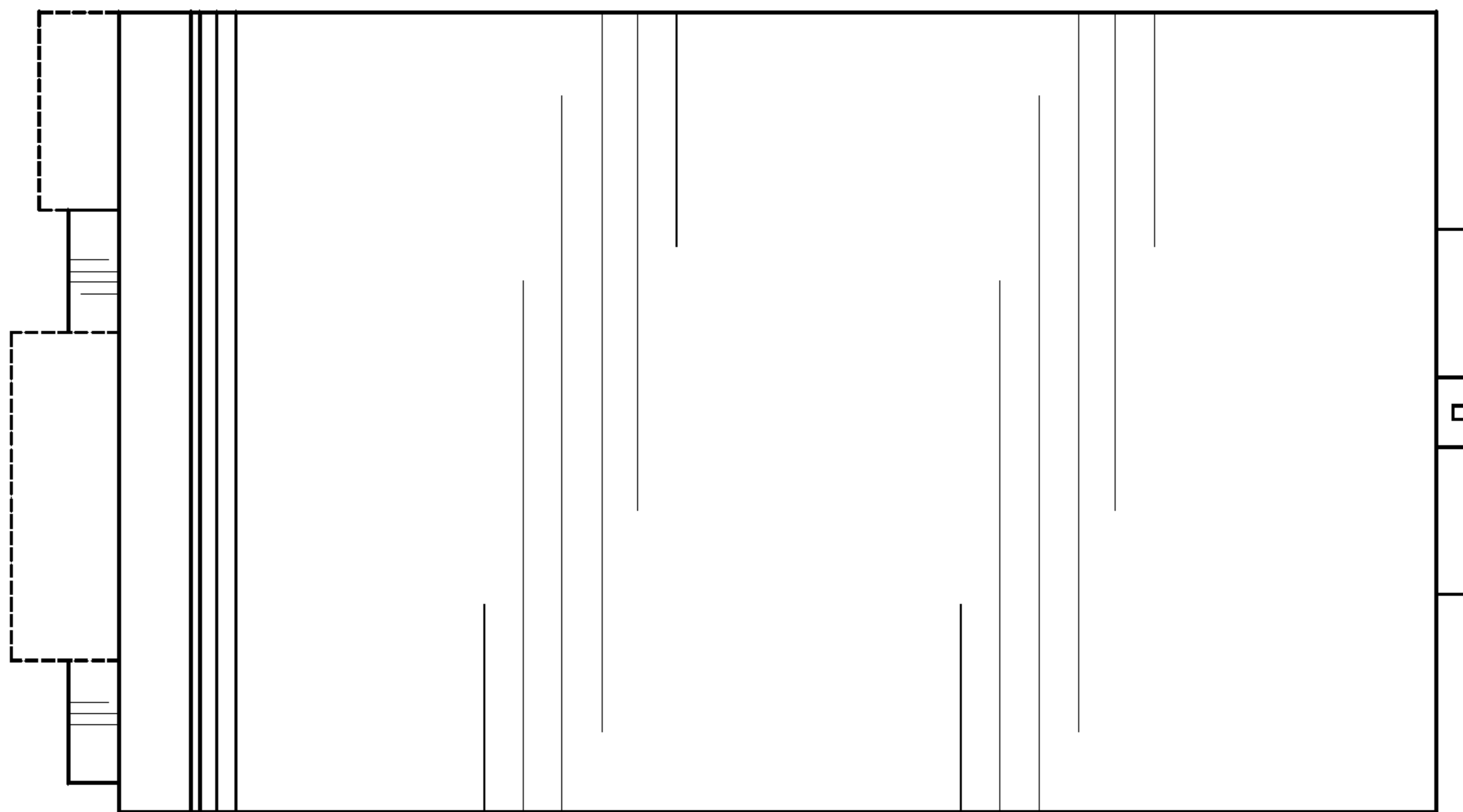


Fig. 18

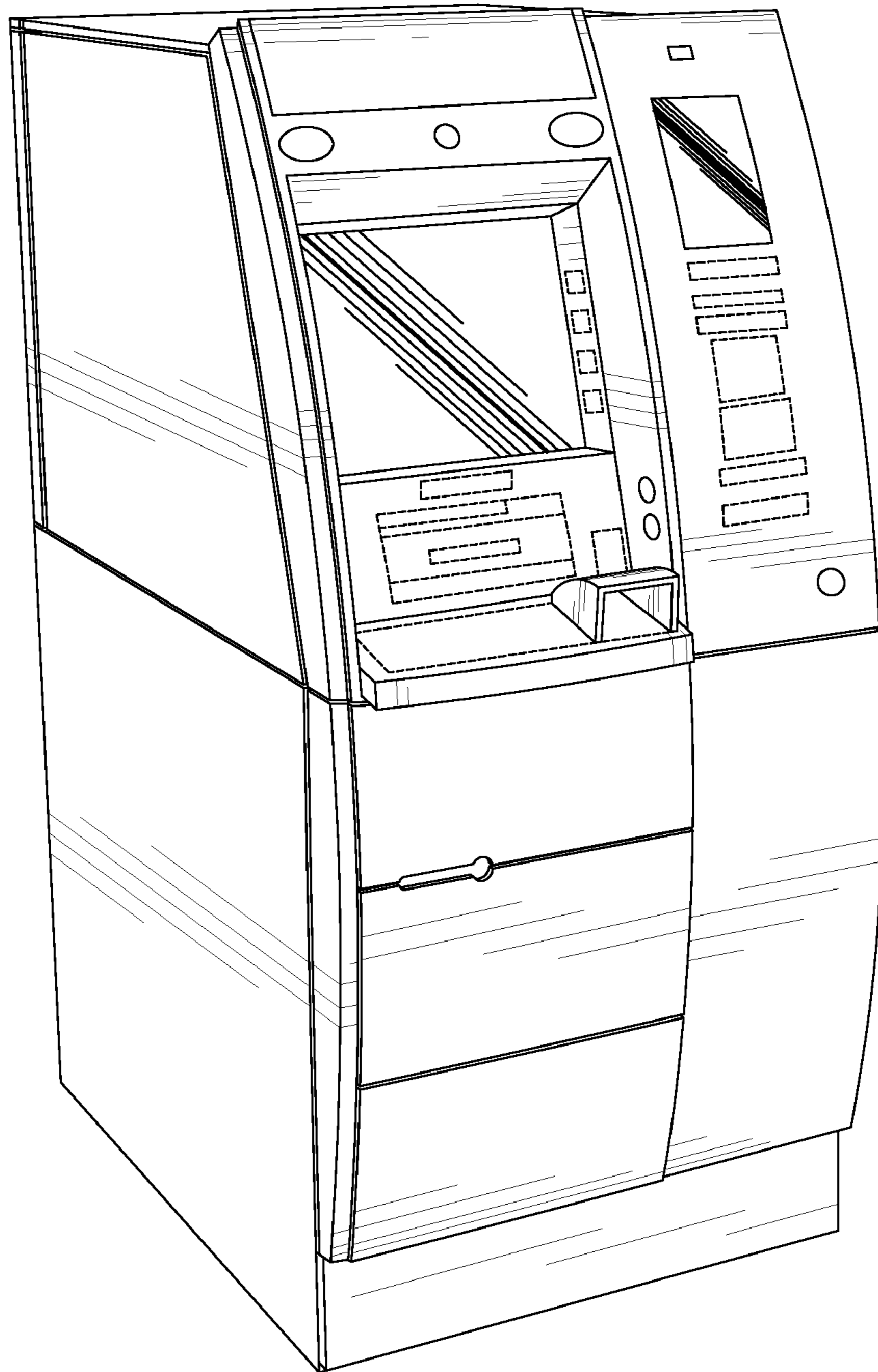


Fig. 19

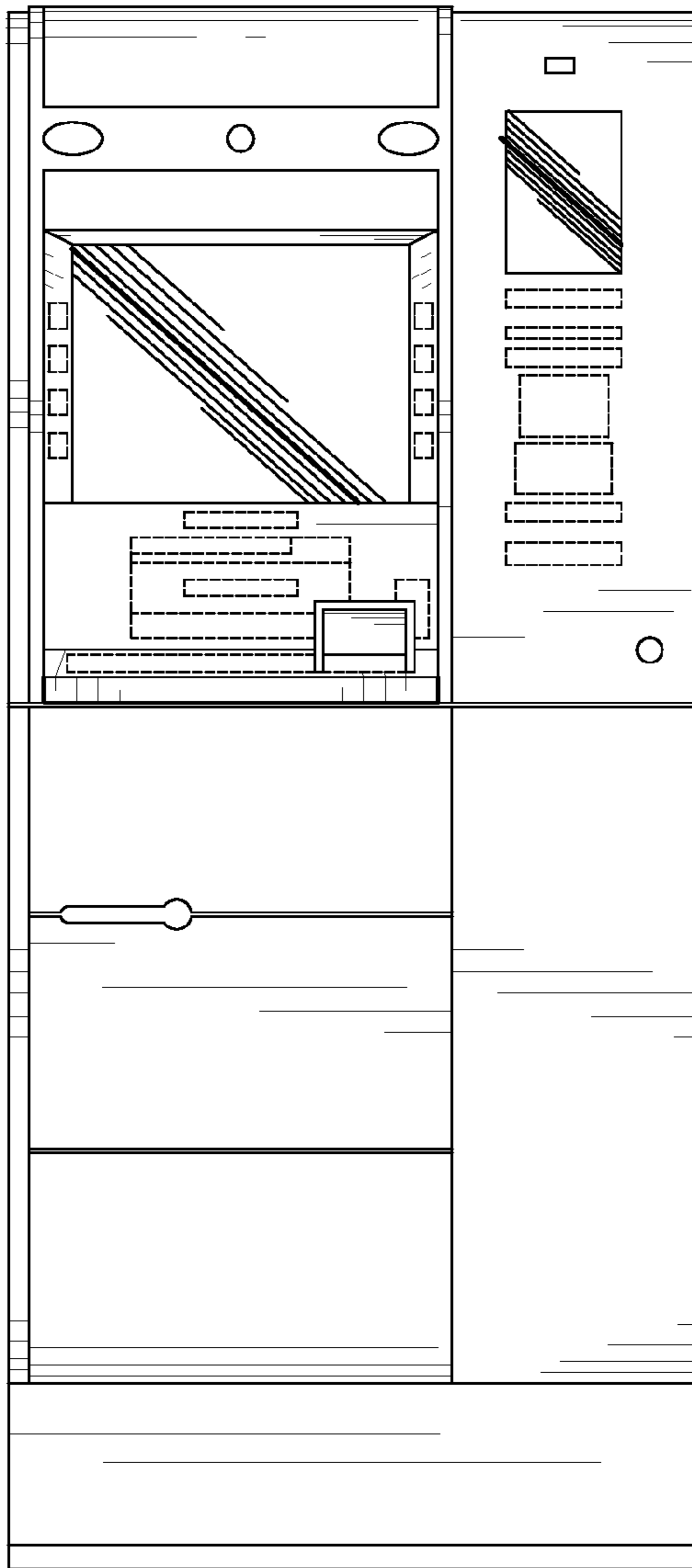


Fig. 20

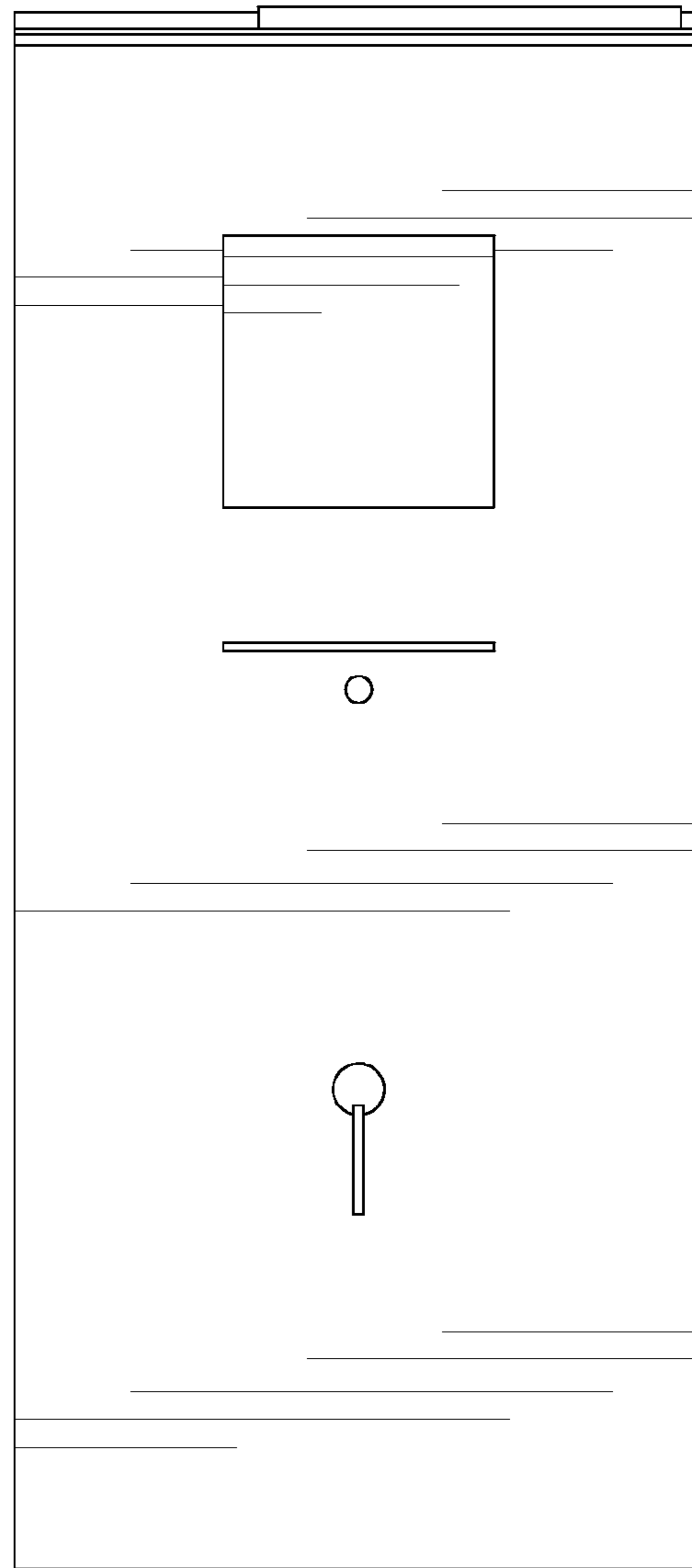


Fig. 21

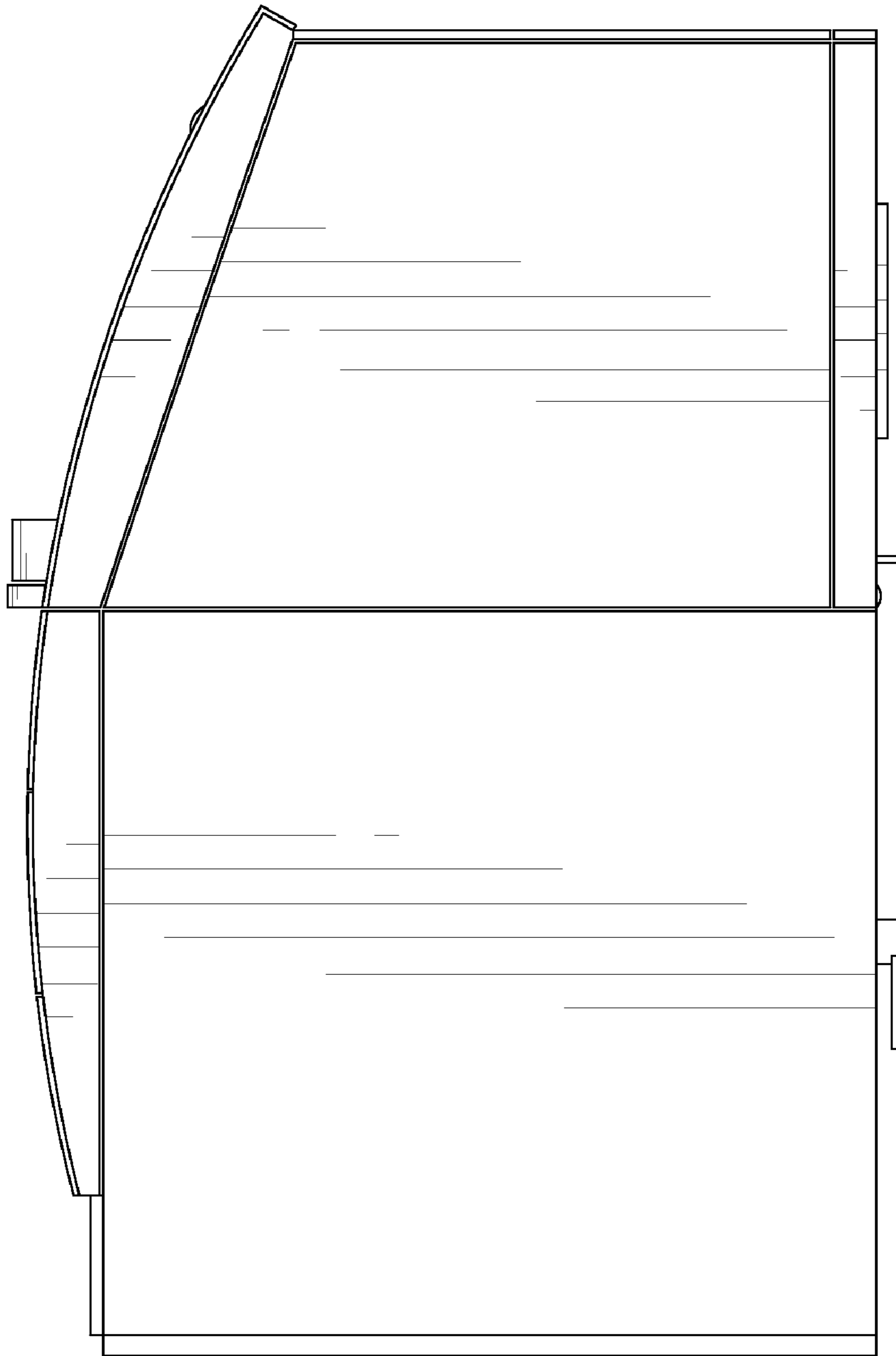


Fig. 22

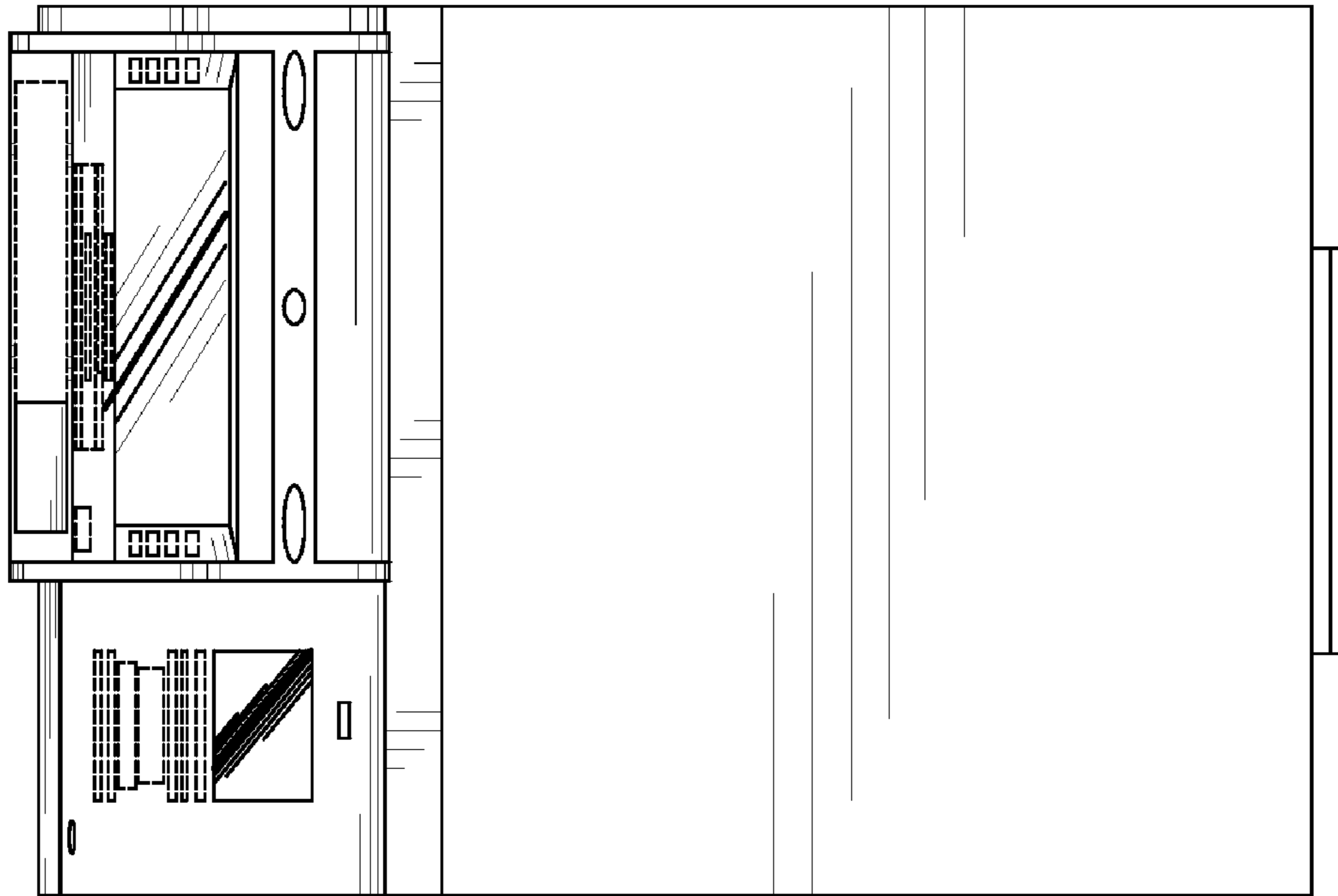


Fig. 23

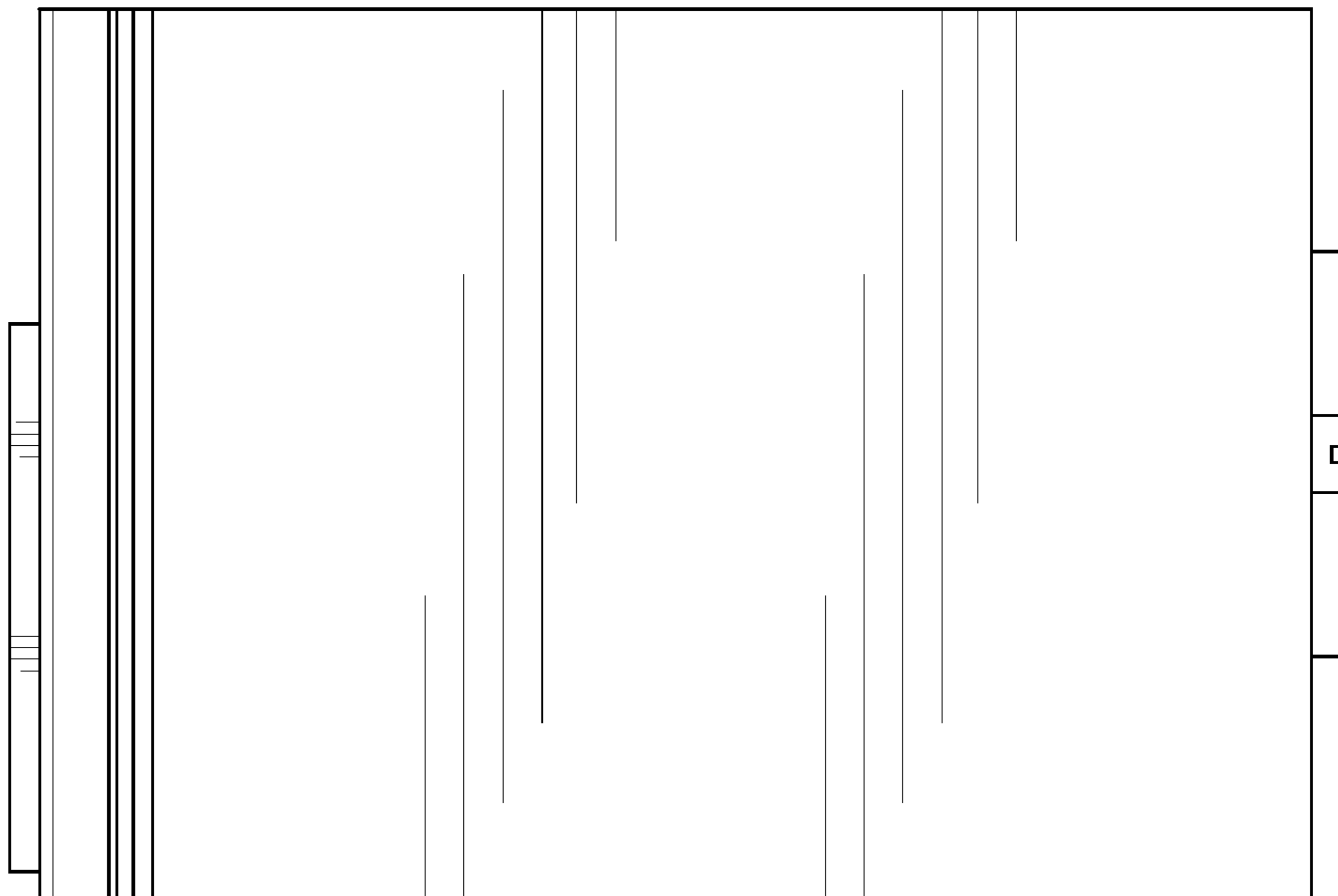


Fig. 24

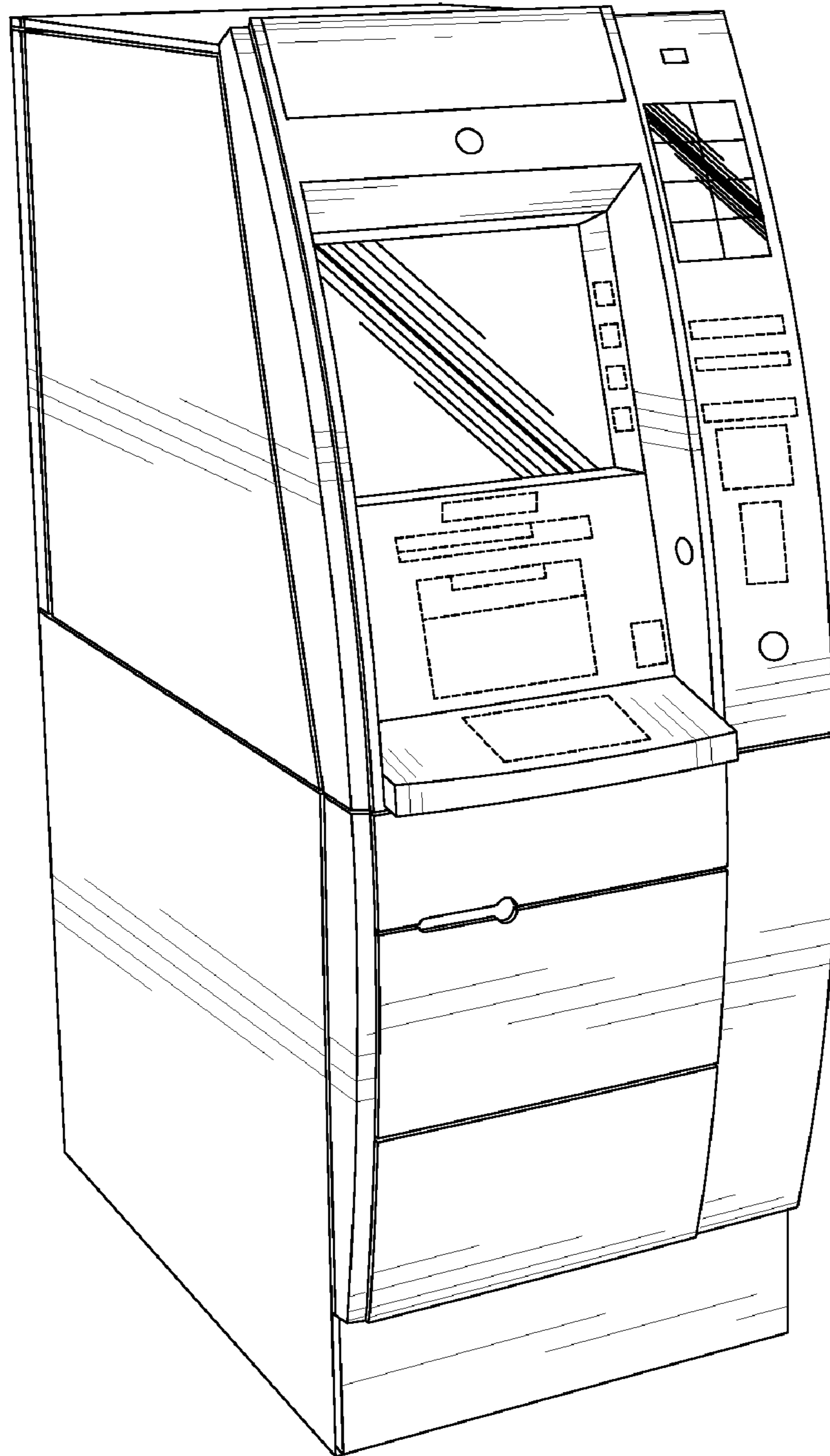


Fig. 25

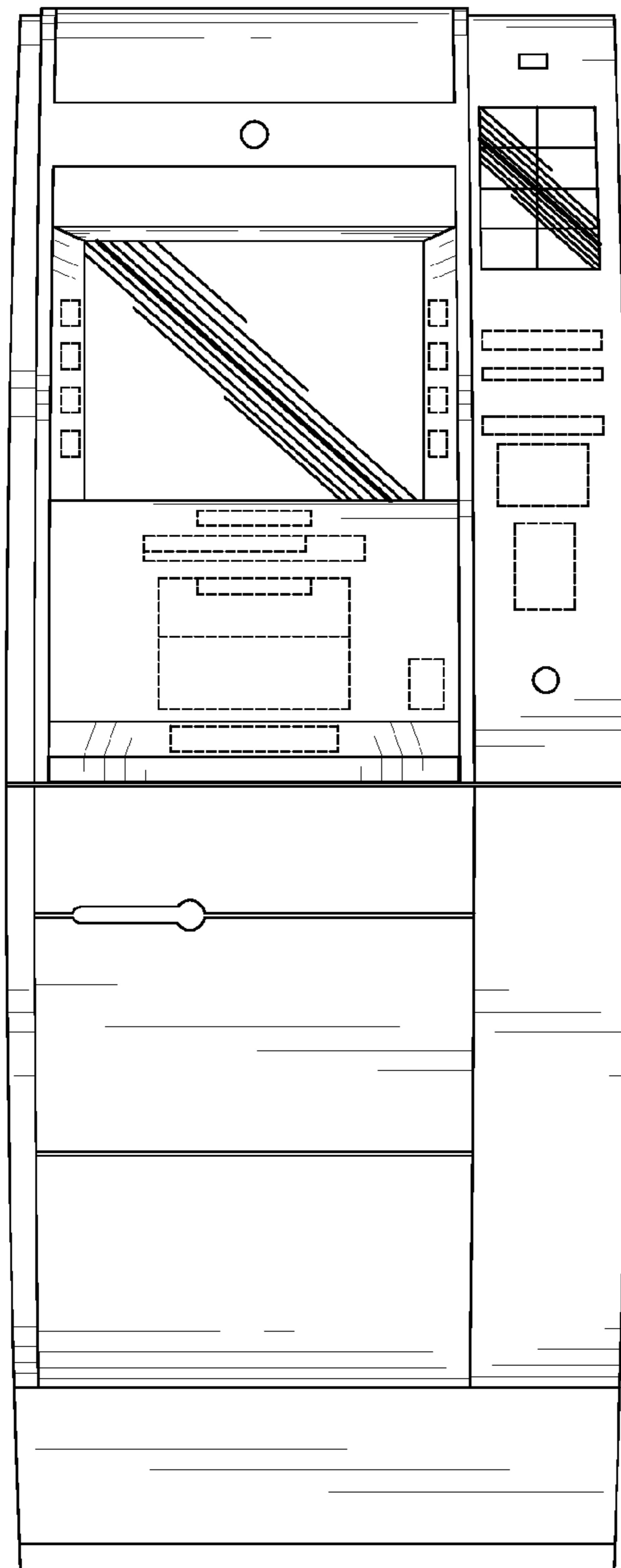


Fig. 26

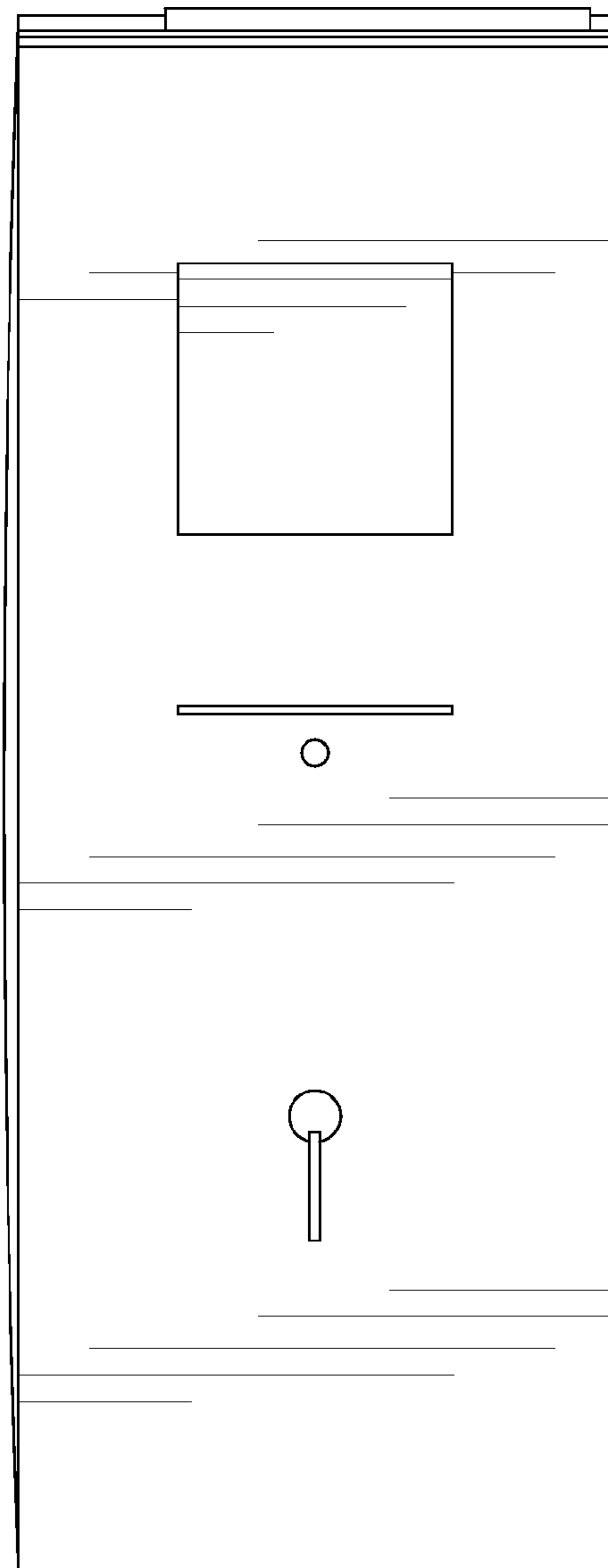
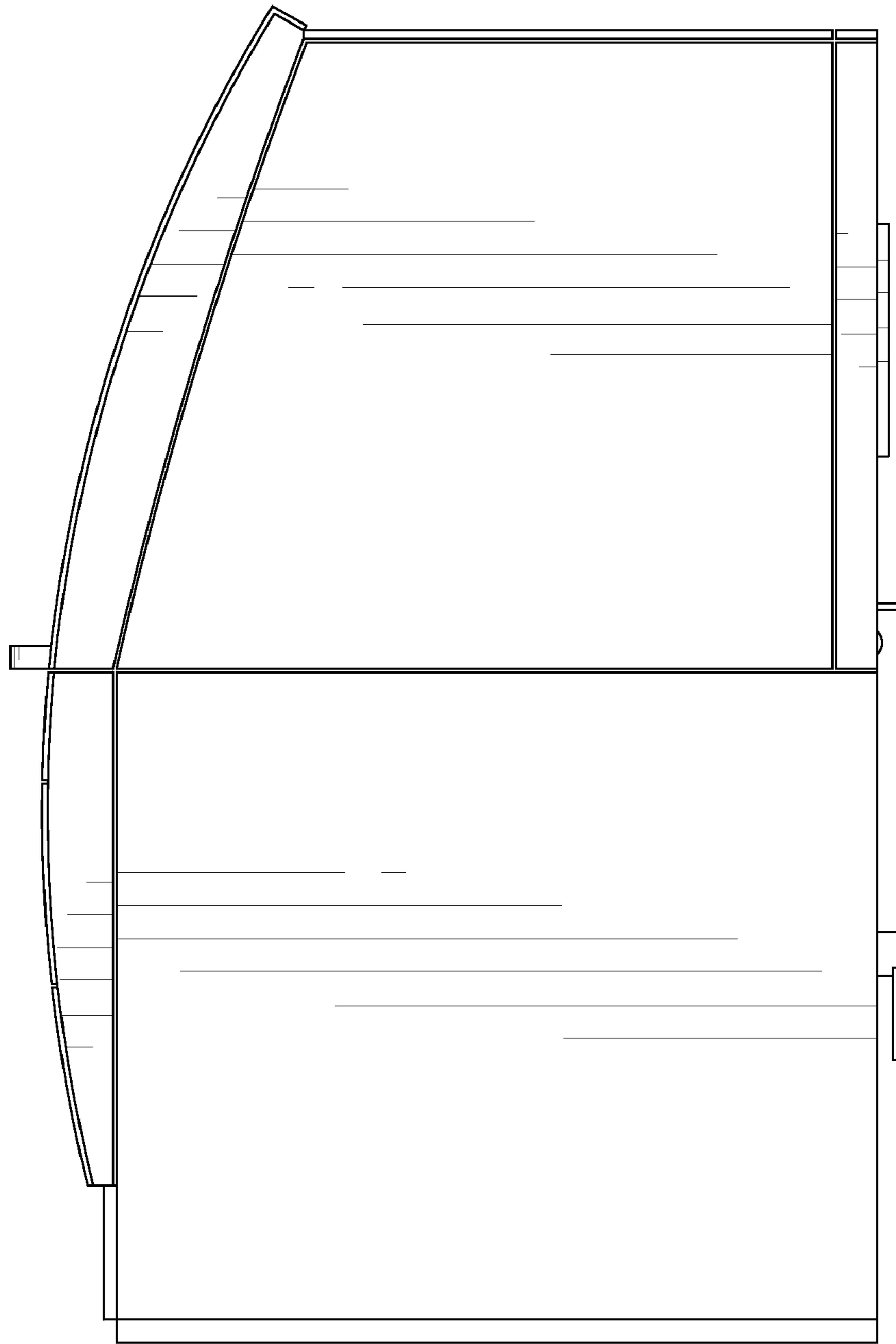


Fig. 27



Fig, 28

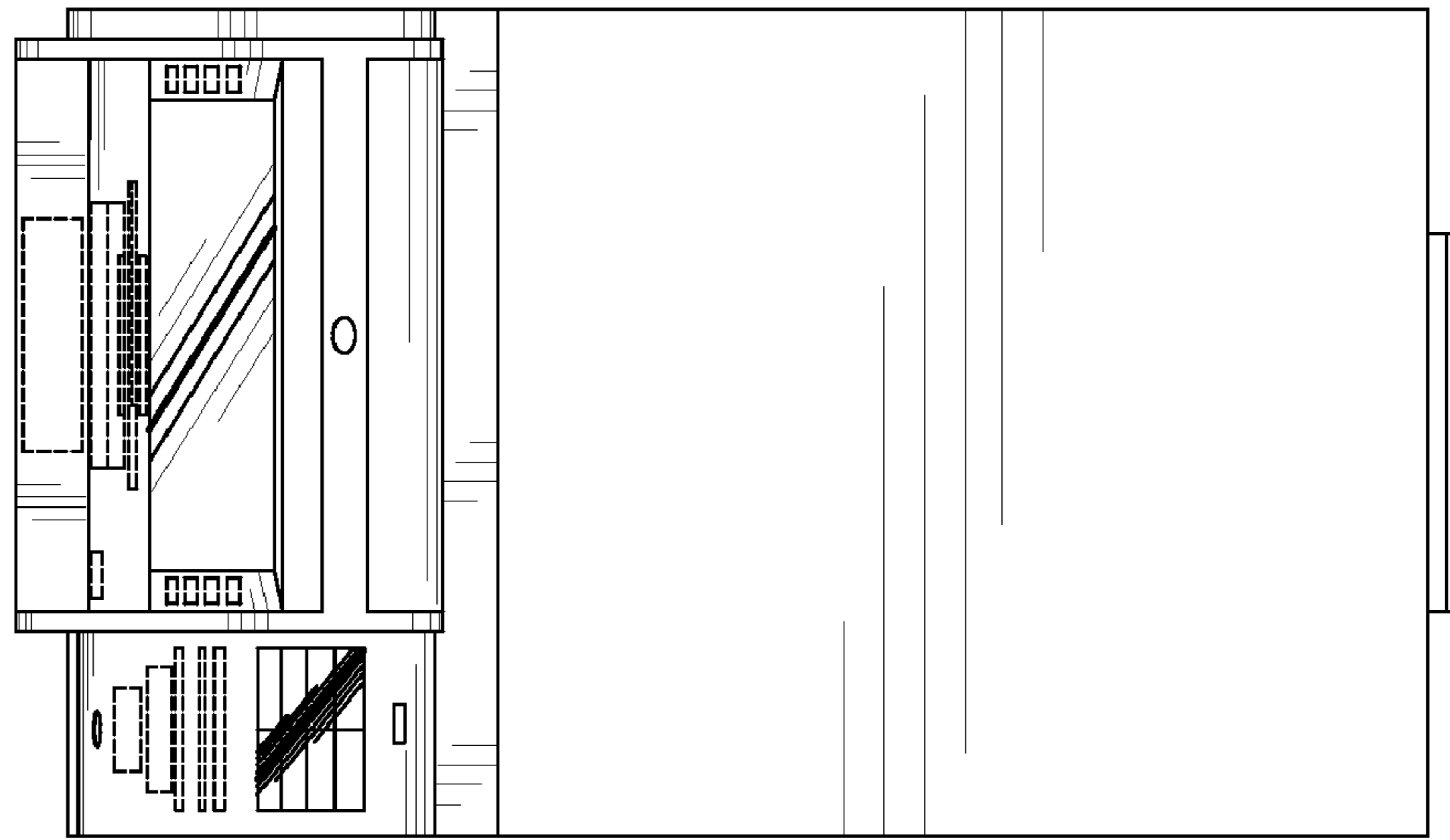


Fig. 29

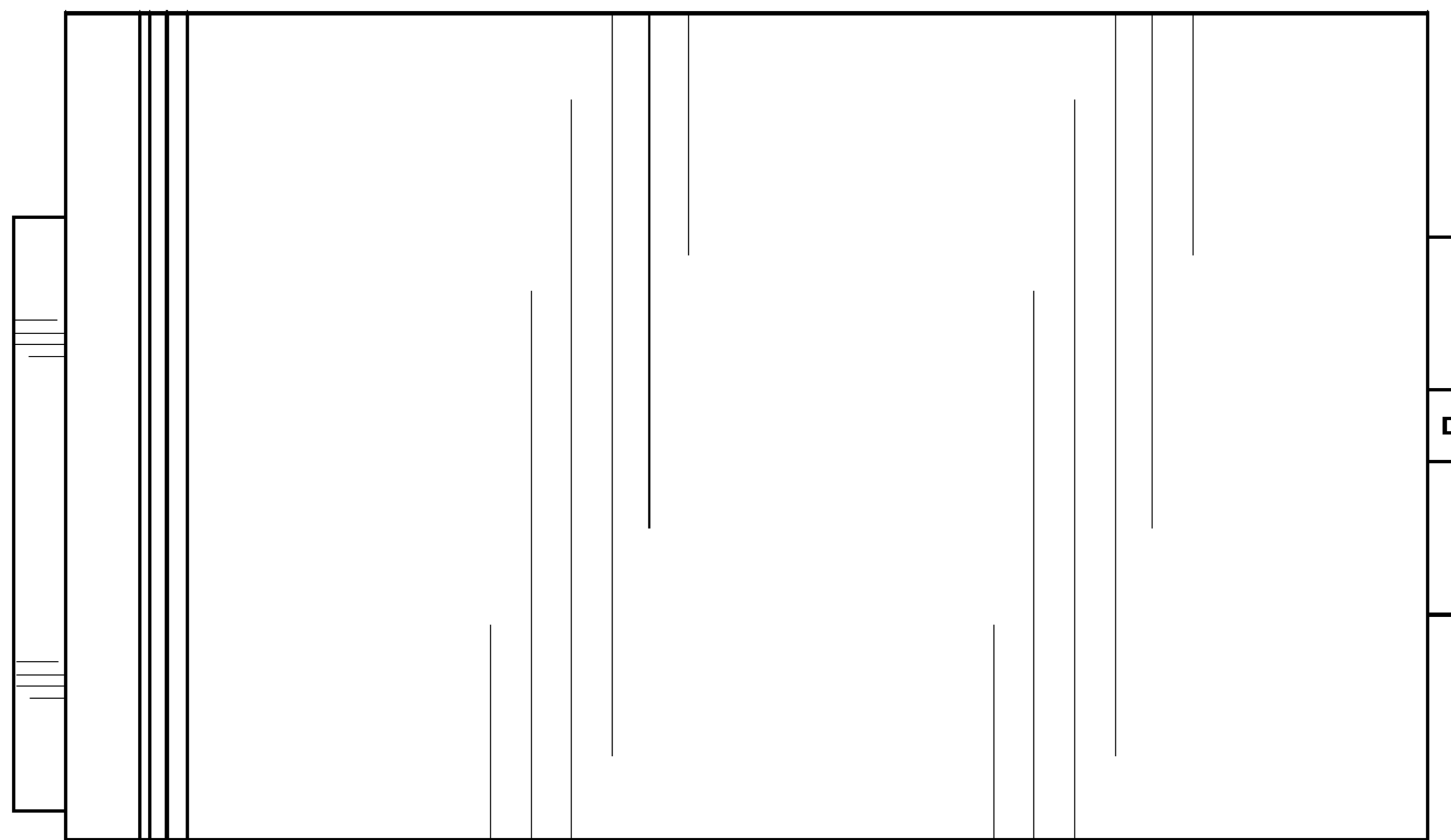


Fig. 30

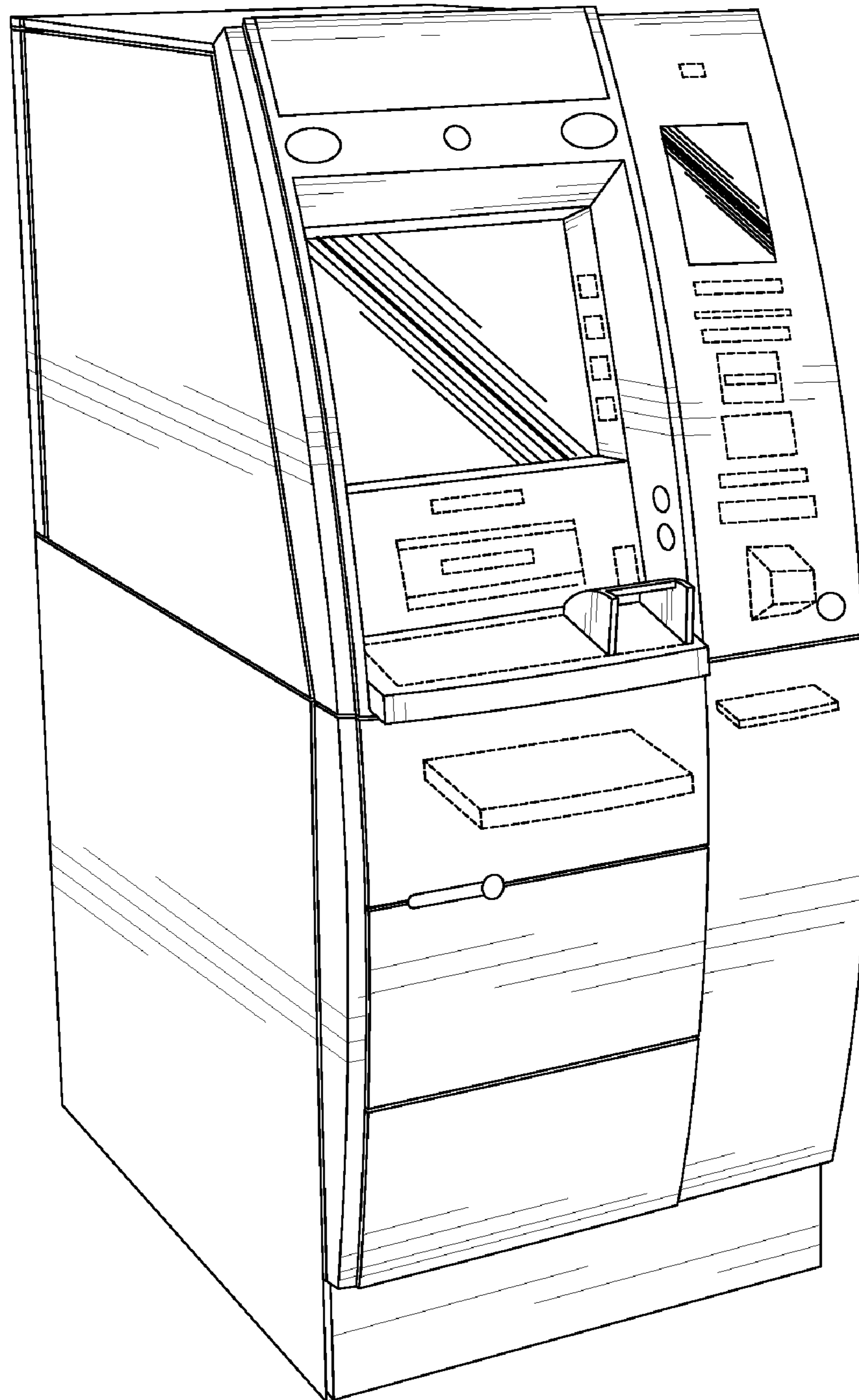


Fig. 31

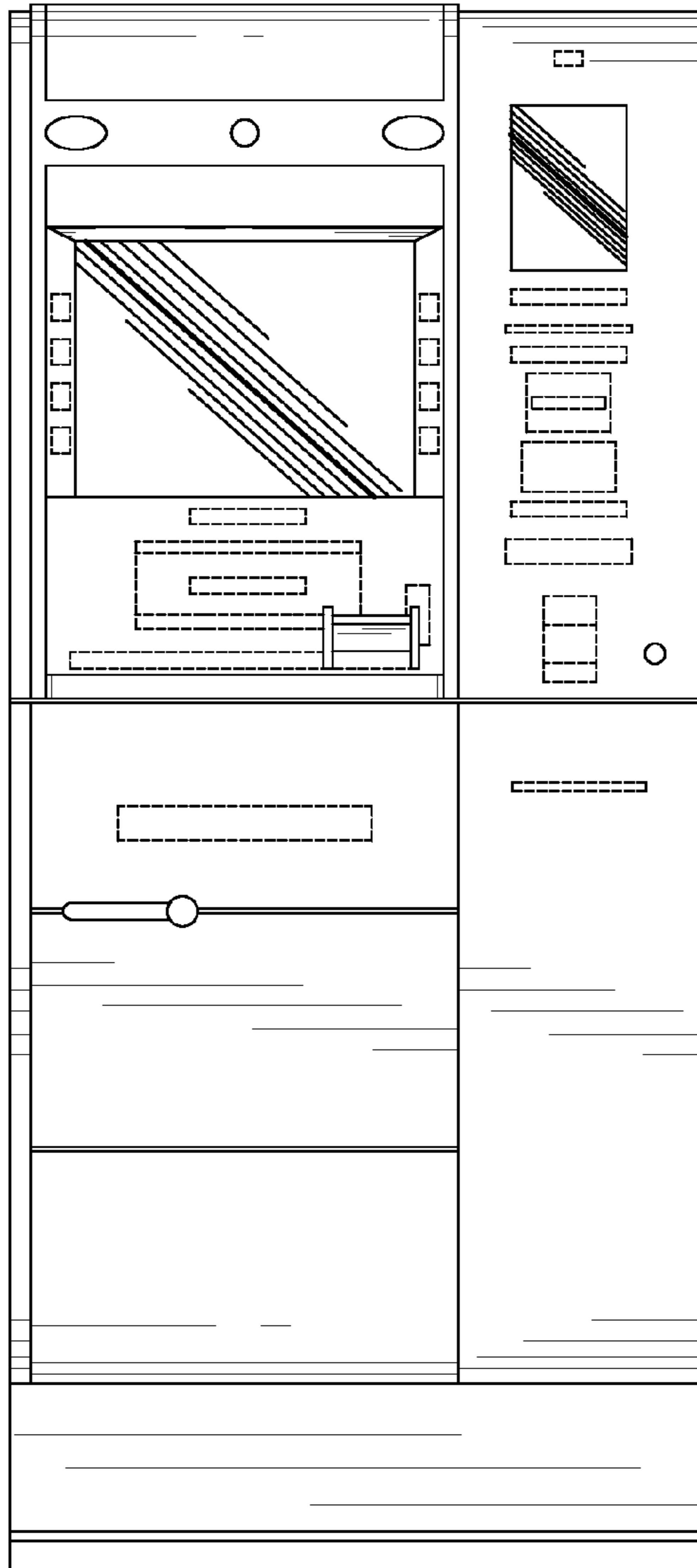


Fig. 32

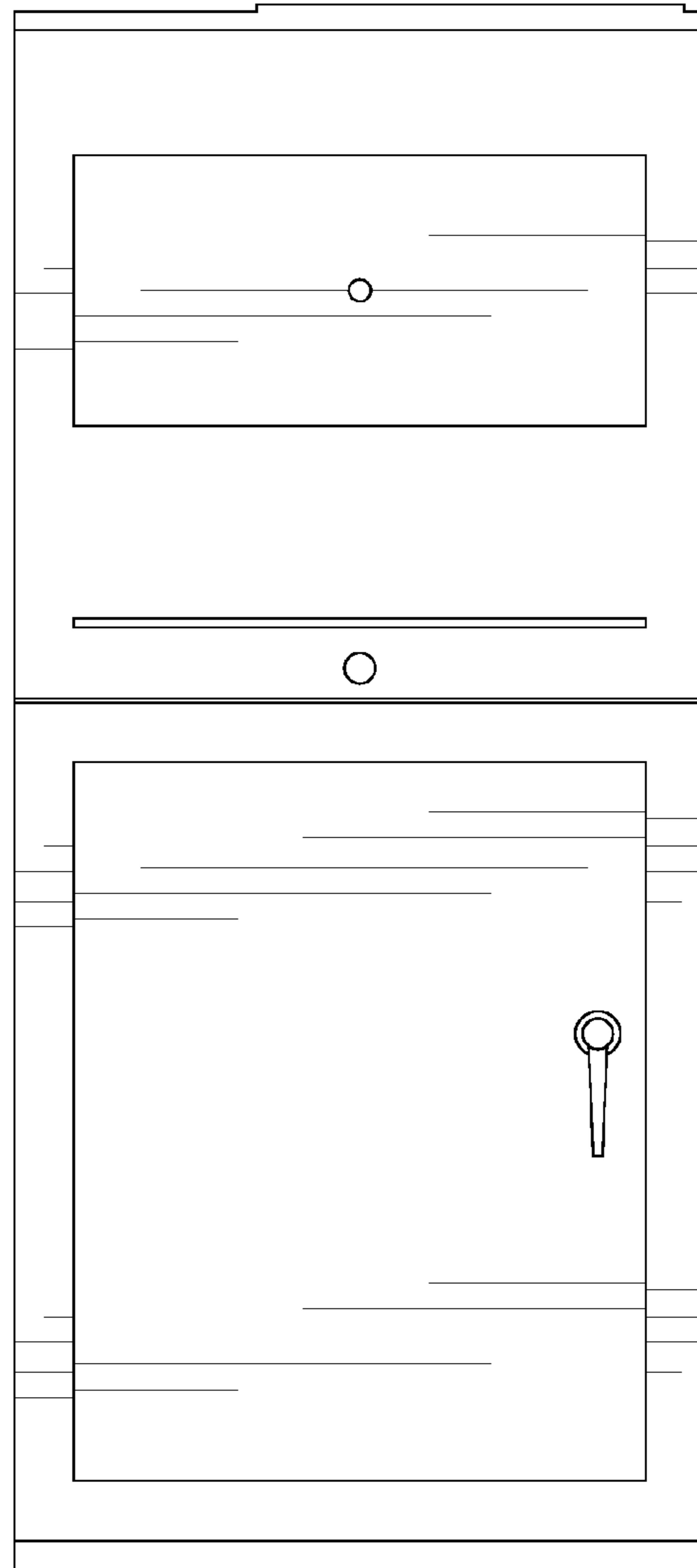


Fig. 33

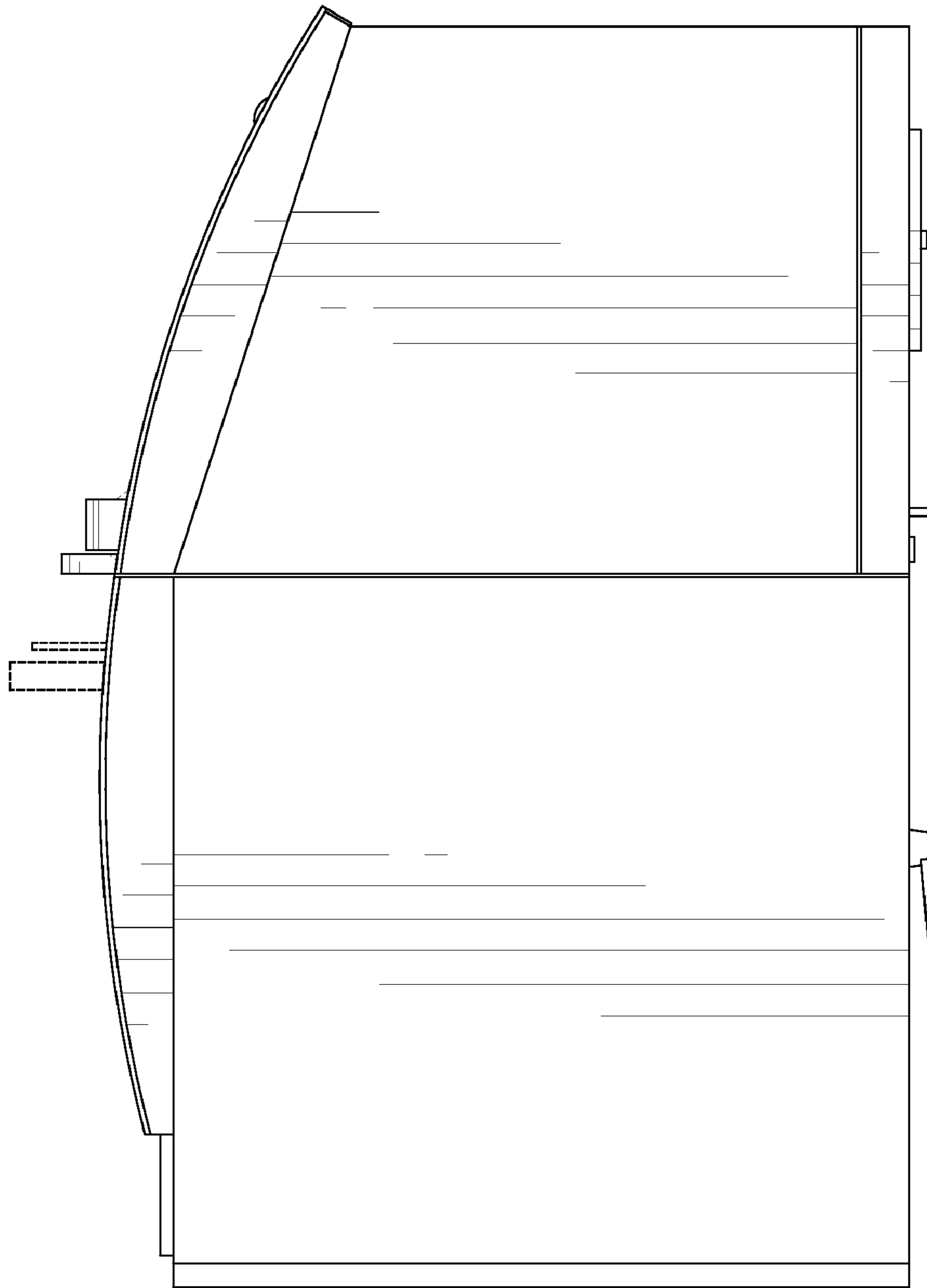


Fig. 34

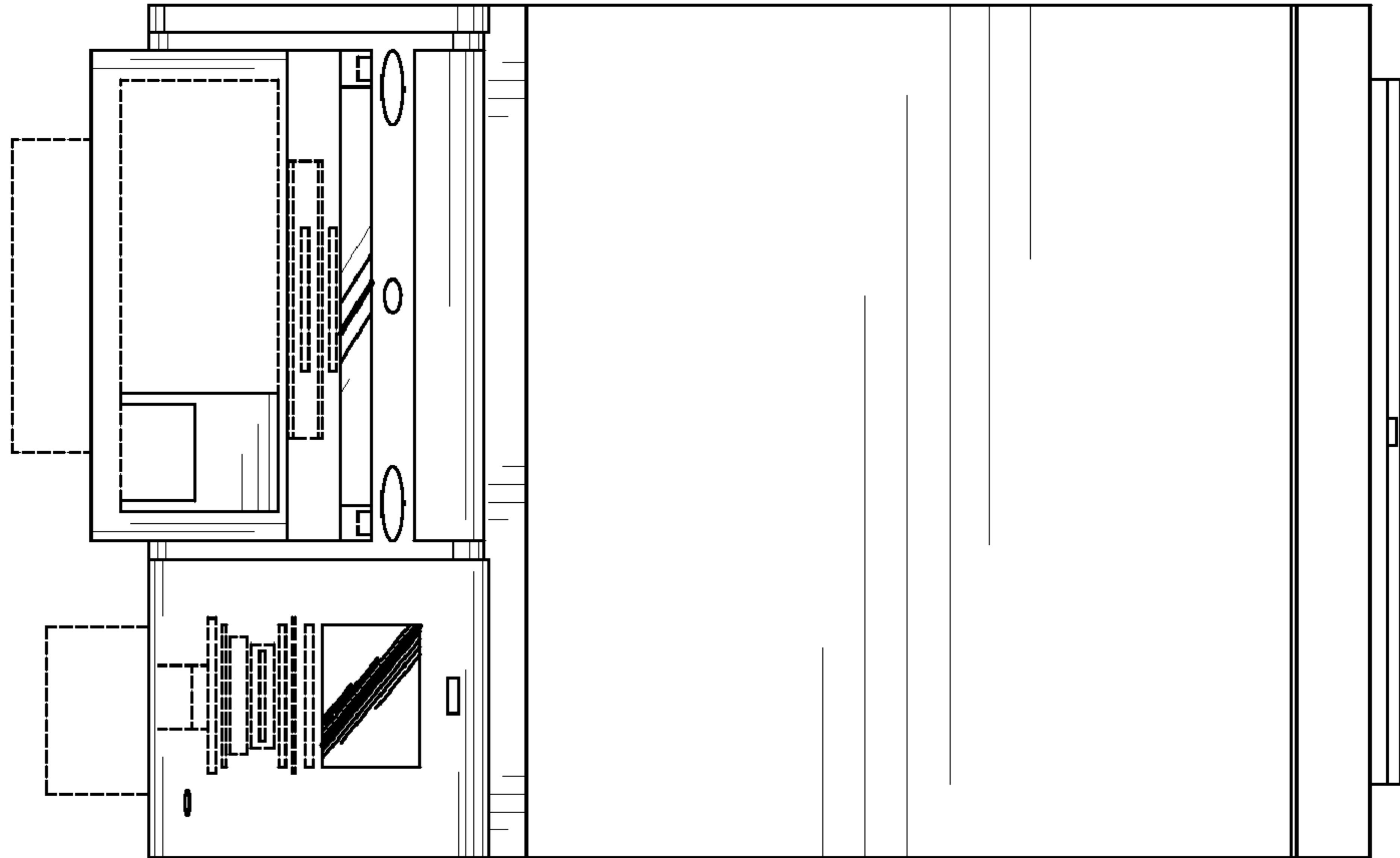


Fig. 35



Fig. 36

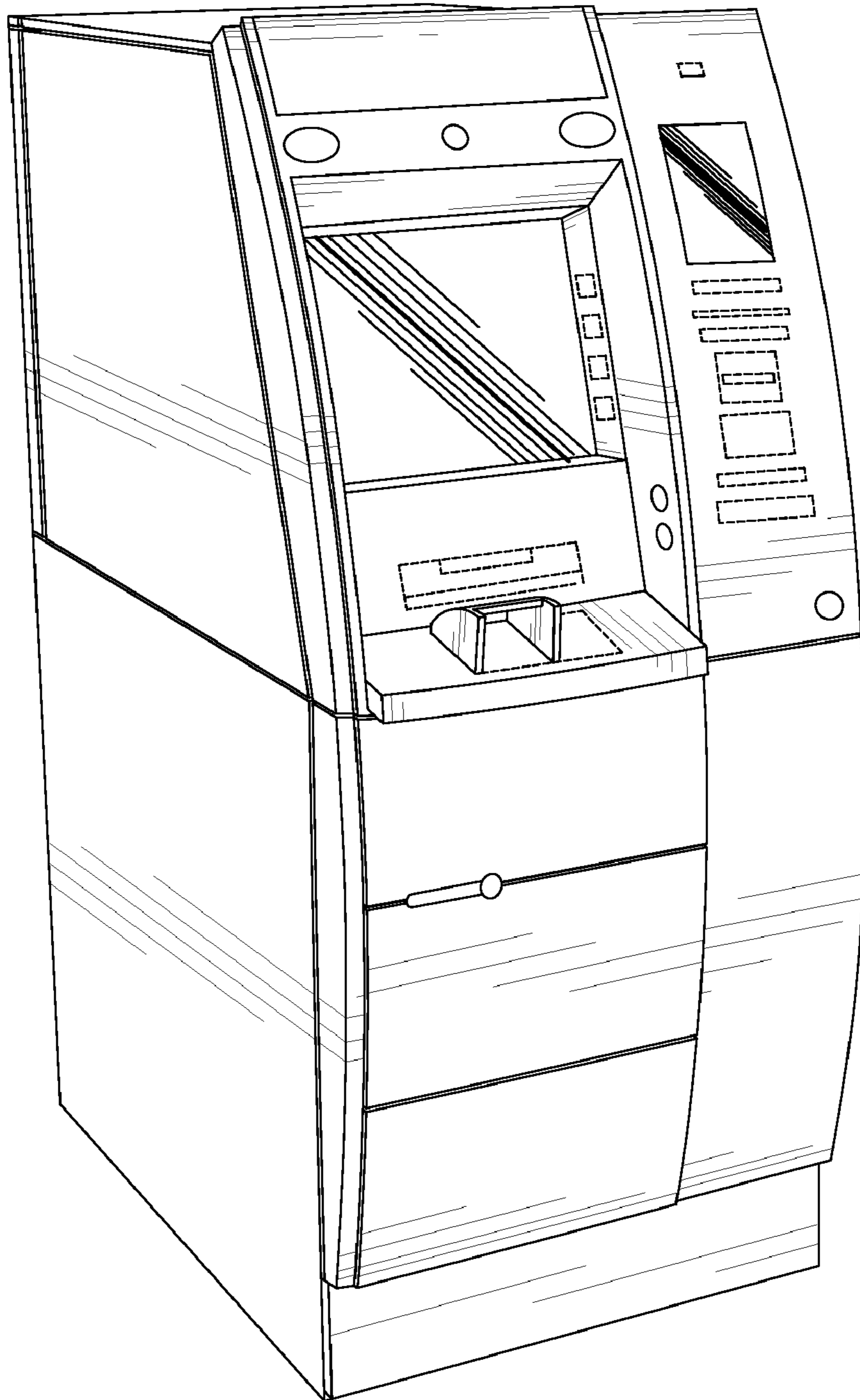


Fig. 37

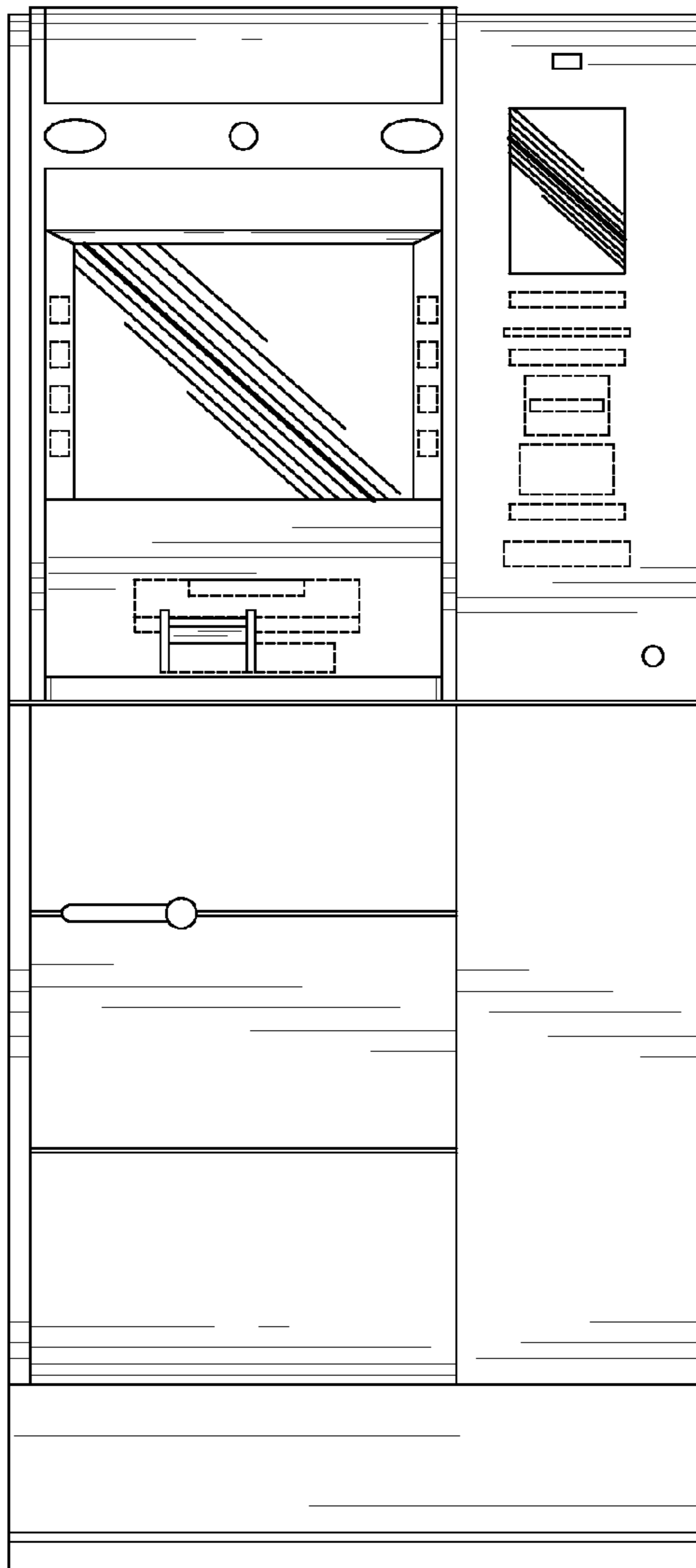


Fig. 38

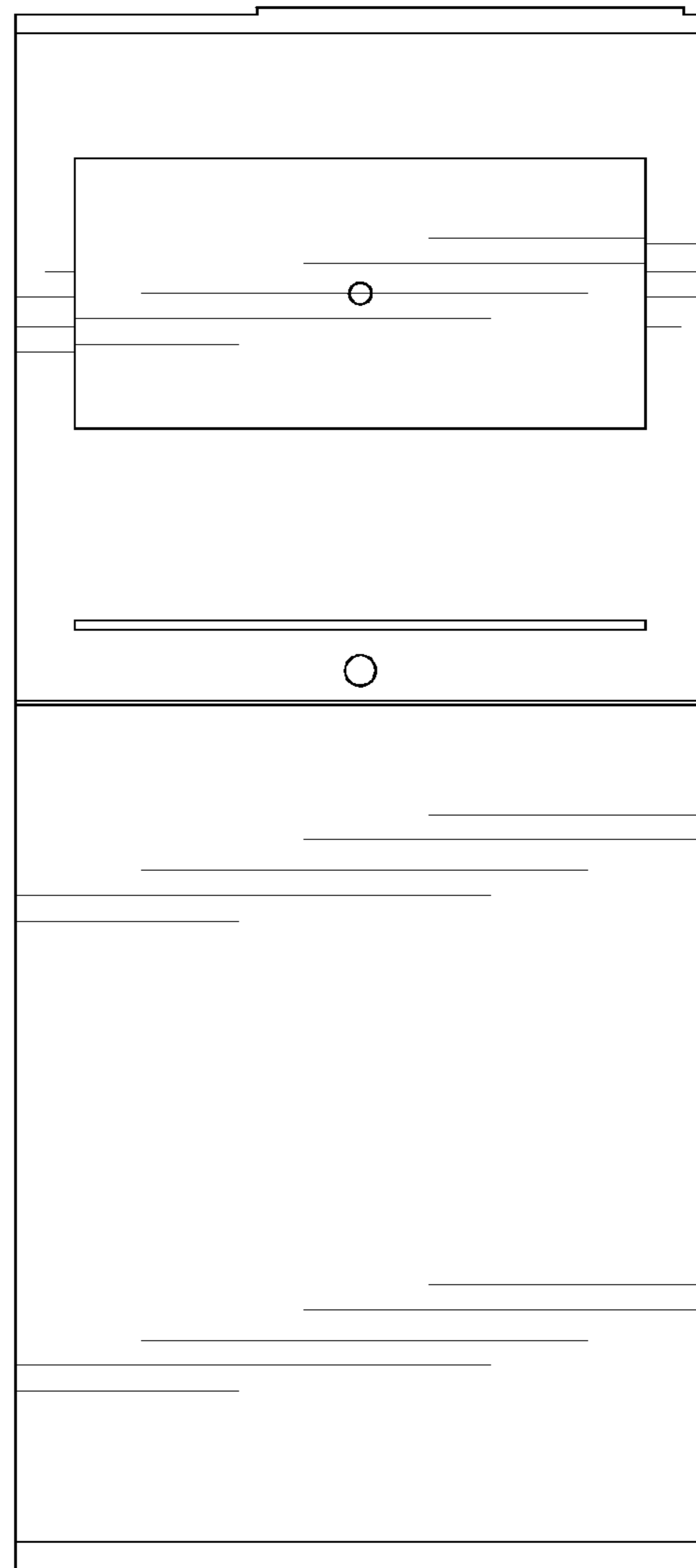


Fig. 39

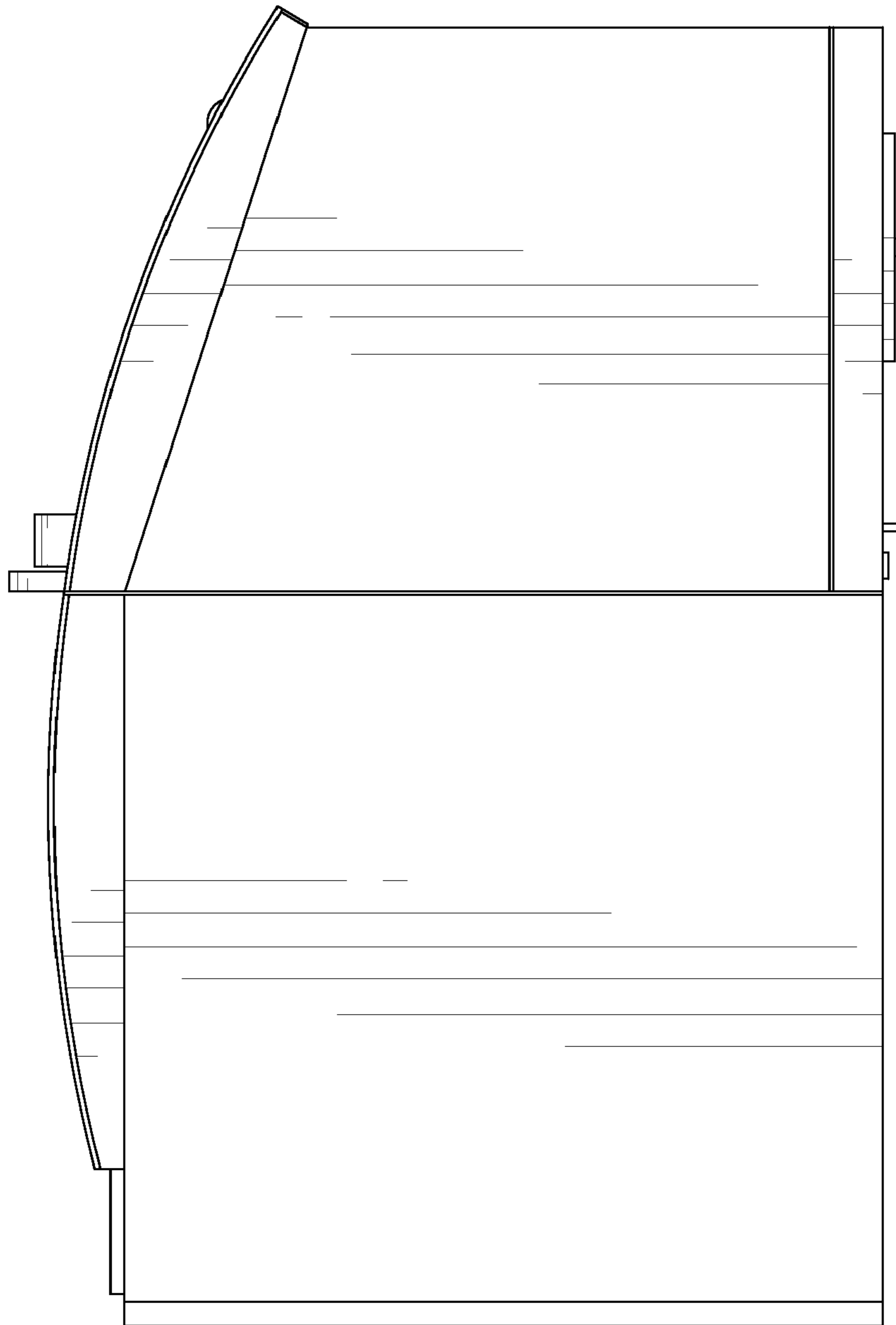


Fig. 40



Fig. 41

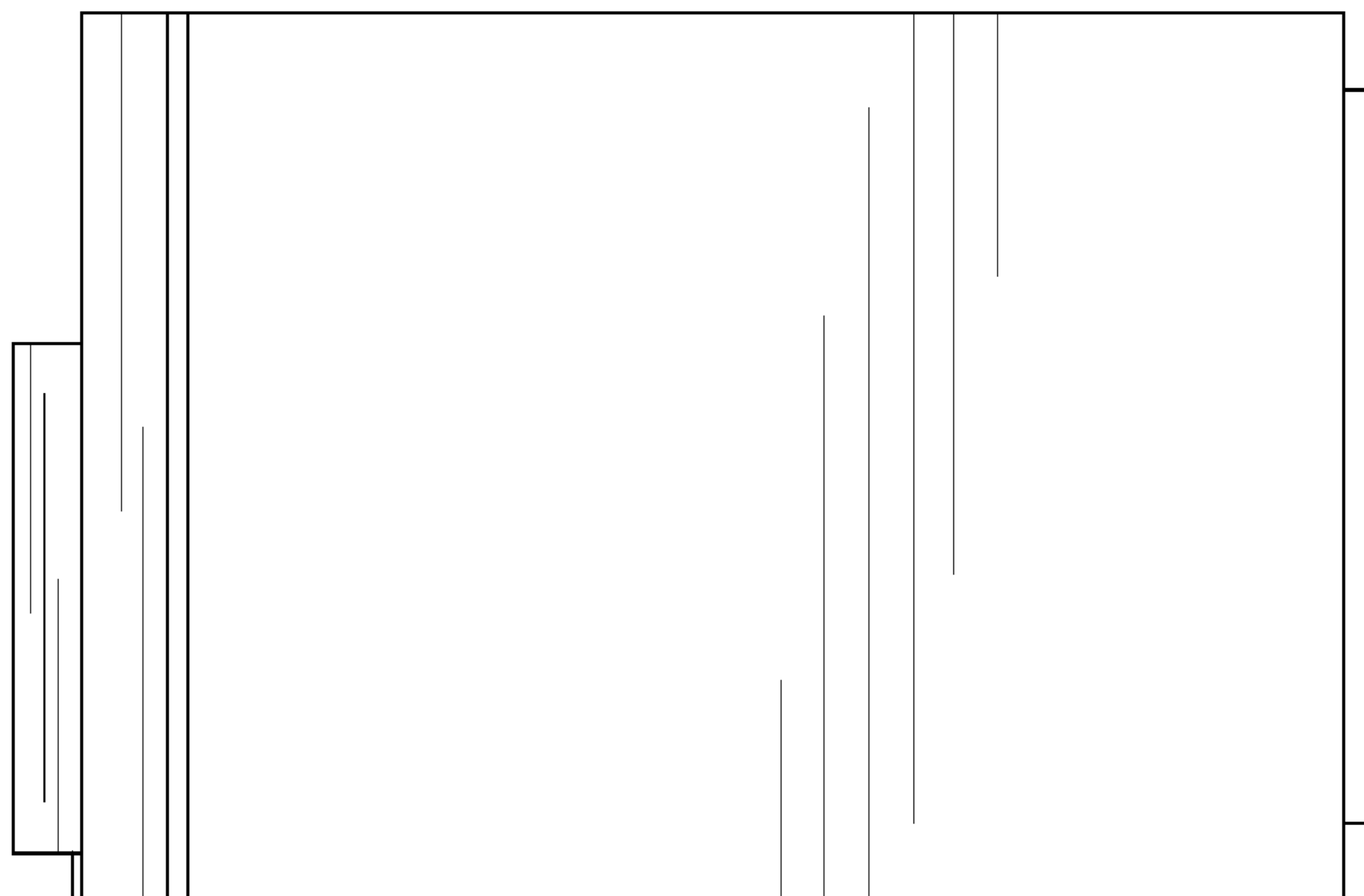


Fig. 42