



US00D629583S

(12) **United States Design Patent**
Liljedahl

(10) **Patent No.:** **US D629,583 S**

(45) **Date of Patent:** **** Dec. 21, 2010**

(54) **BELT FOR SLING**

(75) Inventor: **Barbro Liljedahl**, Luleå (SE)

(73) Assignee: **Liko Research & Development AB**,
Lund (SE)

(**) Term: **14 Years**

(21) Appl. No.: **29/326,619**

(22) Filed: **Oct. 21, 2008**

(30) **Foreign Application Priority Data**

Apr. 23, 2008 (EM) 000922562-0006

(51) **LOC (9) Cl.** **12-05**

(52) **U.S. Cl.** **D34/35**

(58) **Field of Classification Search** D34/28,
D34/35, 33; 5/81.1 R, 83.1, 84.1, 89.1, 88.1;
D24/188, 190

See application file for complete search history.

(56) **References Cited**

U.S. PATENT DOCUMENTS

2,903,238	A *	9/1959	Flandrick	254/124
3,407,413	A *	10/1968	James	5/87.1
4,070,721	A *	1/1978	Stasko	5/89.1
4,742,588	A *	5/1988	James	5/83.1
4,944,057	A *	7/1990	Shaw	5/89.1
D355,290	S *	2/1995	Parker	D34/28
5,396,670	A *	3/1995	Firebaugh et al.	5/89.1
5,530,975	A *	7/1996	Firebaugh et al.	5/81.1 T
6,289,534	B1 *	9/2001	Hakamiun et al.	5/89.1
6,581,222	B1 *	6/2003	Liljedahl	5/89.1
D486,287	S *	2/2004	Liljedahl	D34/28

* cited by examiner

Primary Examiner—Cynthia E Ramirez

(74) *Attorney, Agent, or Firm*—Dinsmore & Shohl LLP

(57) **CLAIM**

The ornamental design for a belt for sling, as shown and described.

DESCRIPTION

FIG. 1 is a front view of the belt for sling of the present invention passing through a channel in a sling;

FIG. 2 is an enlarged front view of the straps of the belt for sling of the present invention passing through a channel in a sling;

FIG. 3 is a front perspective view of the belt for sling of the present invention passing through a channel in a sling, with one end of the belt for sling folded over to show the backside of one pad; and,

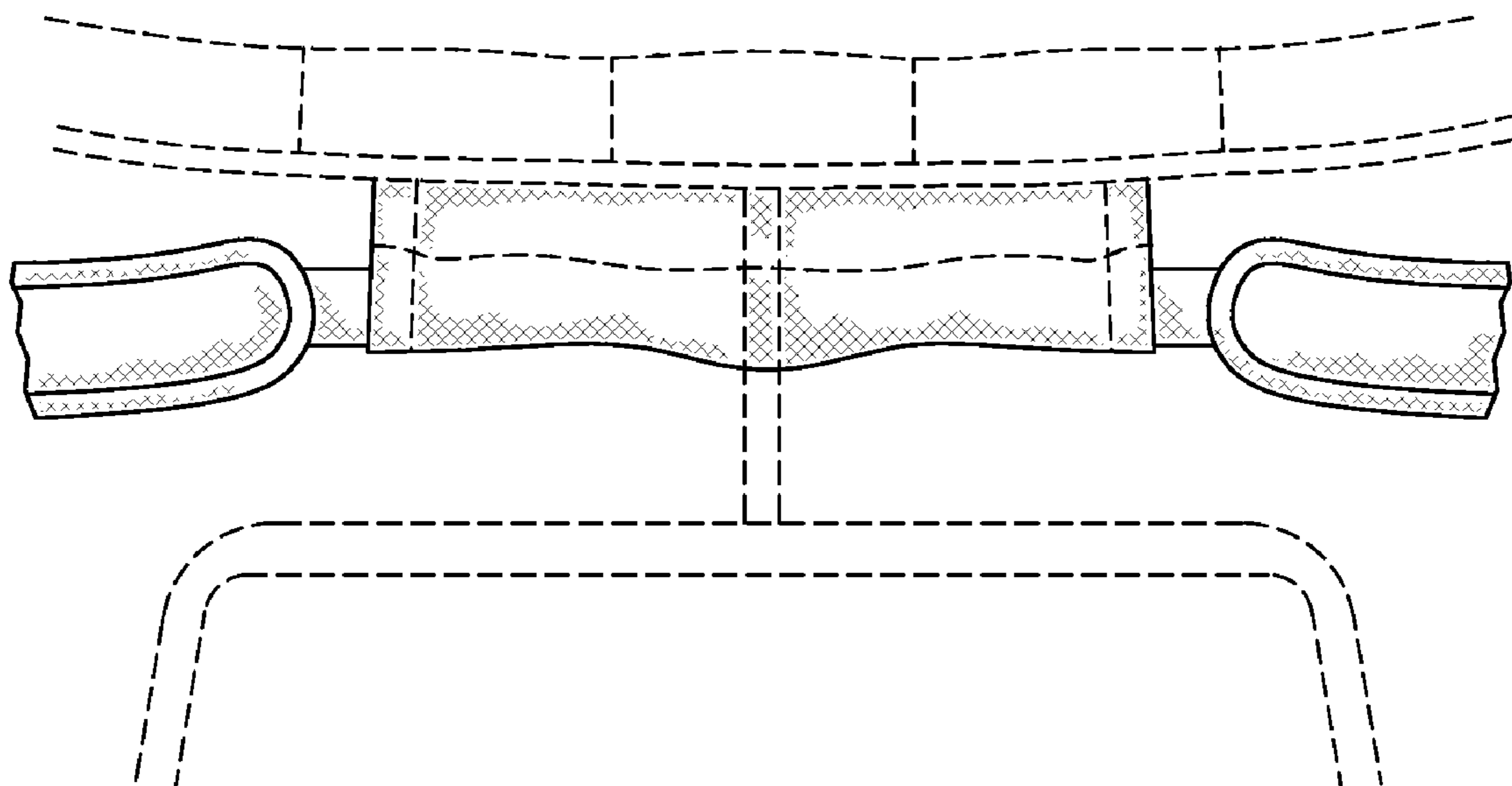
FIG. 4 is a front perspective view of the belt for sling of present invention passing through a channel in a sling, with opposite end of the belt for sling folded over to show the backside of the opposite pad.

The phantom lines and areas shown in the figures, including those lines representing stitching, are for illustrative purposes only and form no part of the claimed design.

The straps connecting the pads are of no appreciable thickness.

The pads are partially shown in FIGS. 1, 3, and 4 for convenience of illustration.

1 Claim, 4 Drawing Sheets



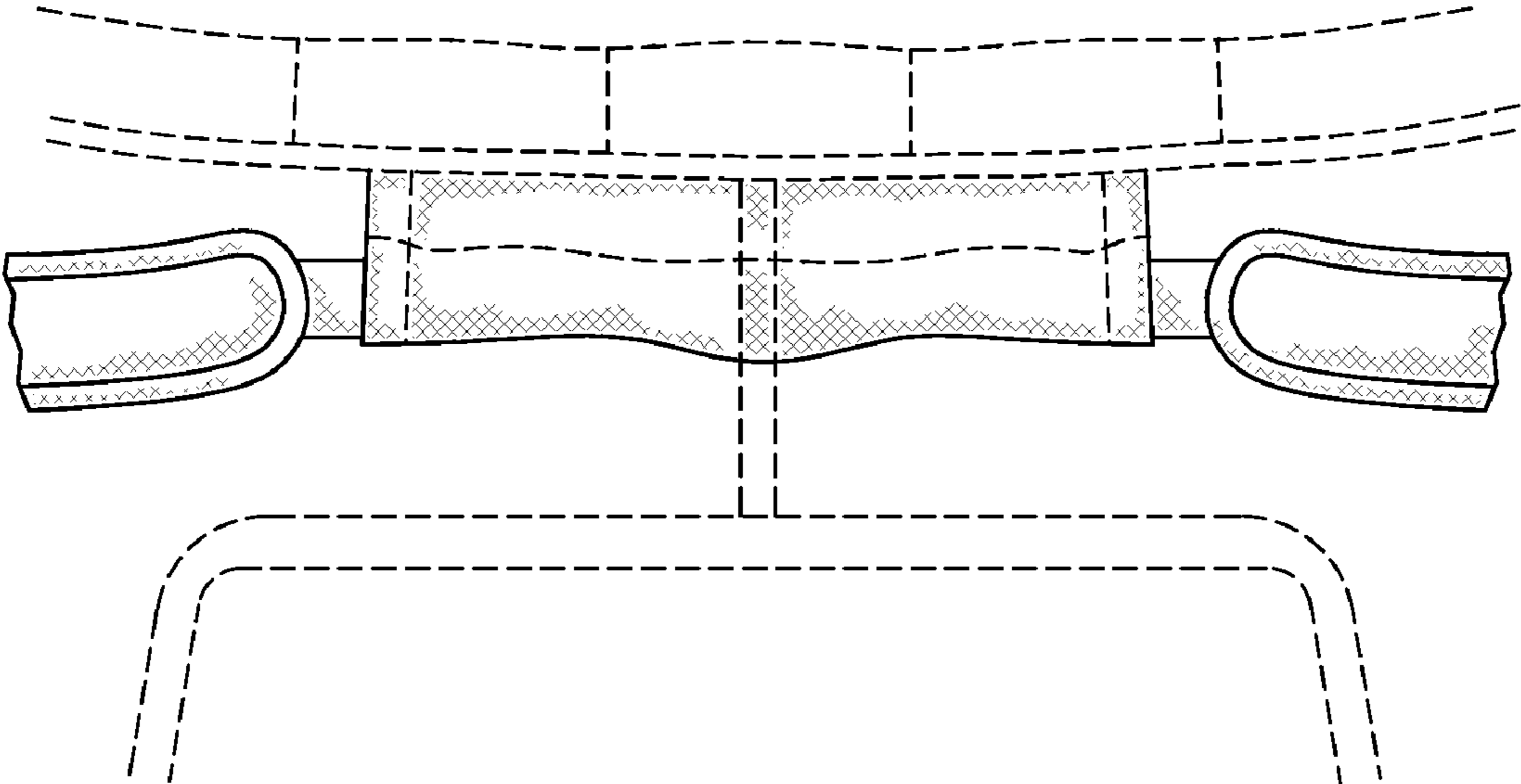


FIG. 1

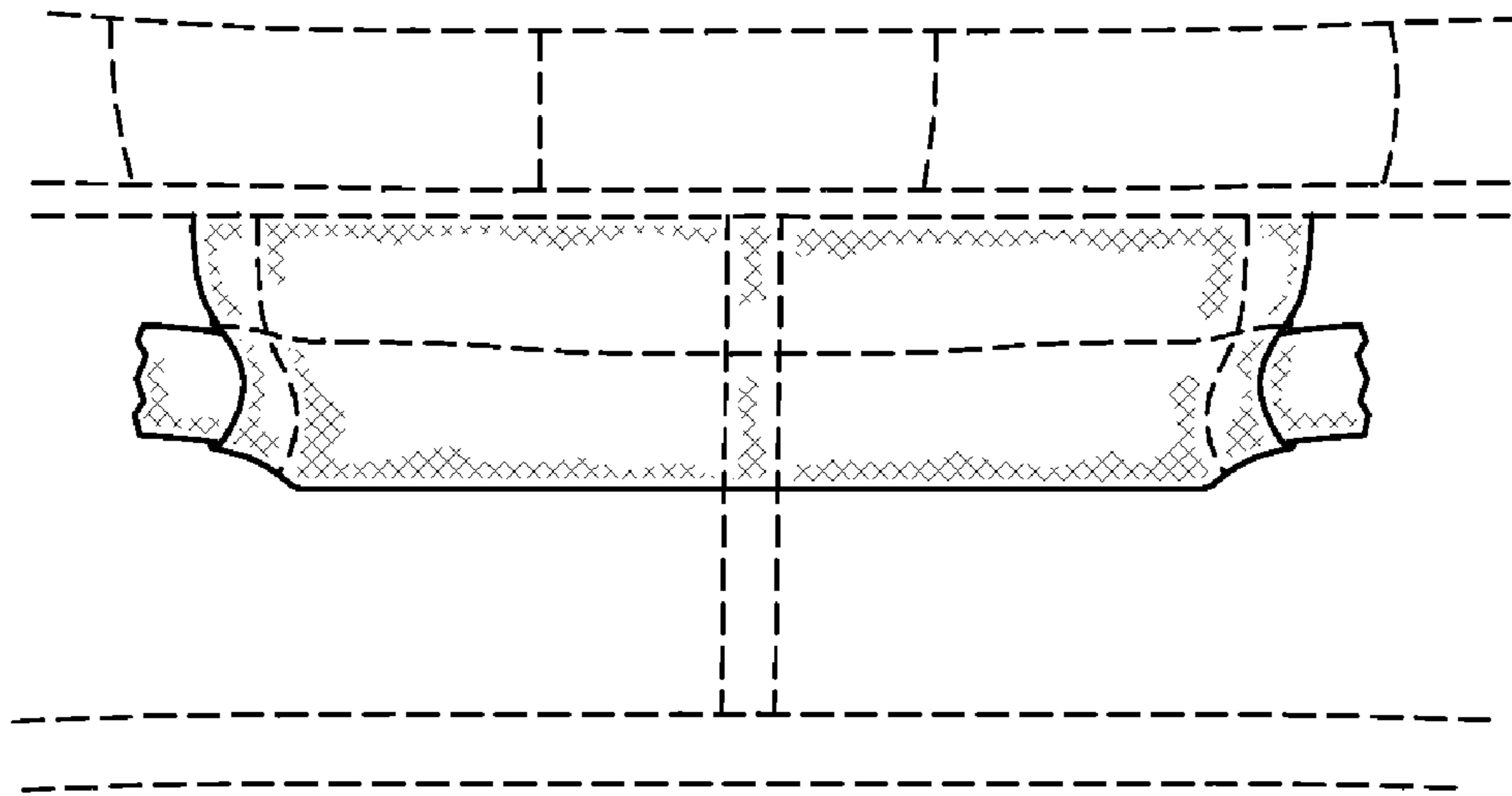


FIG. 2

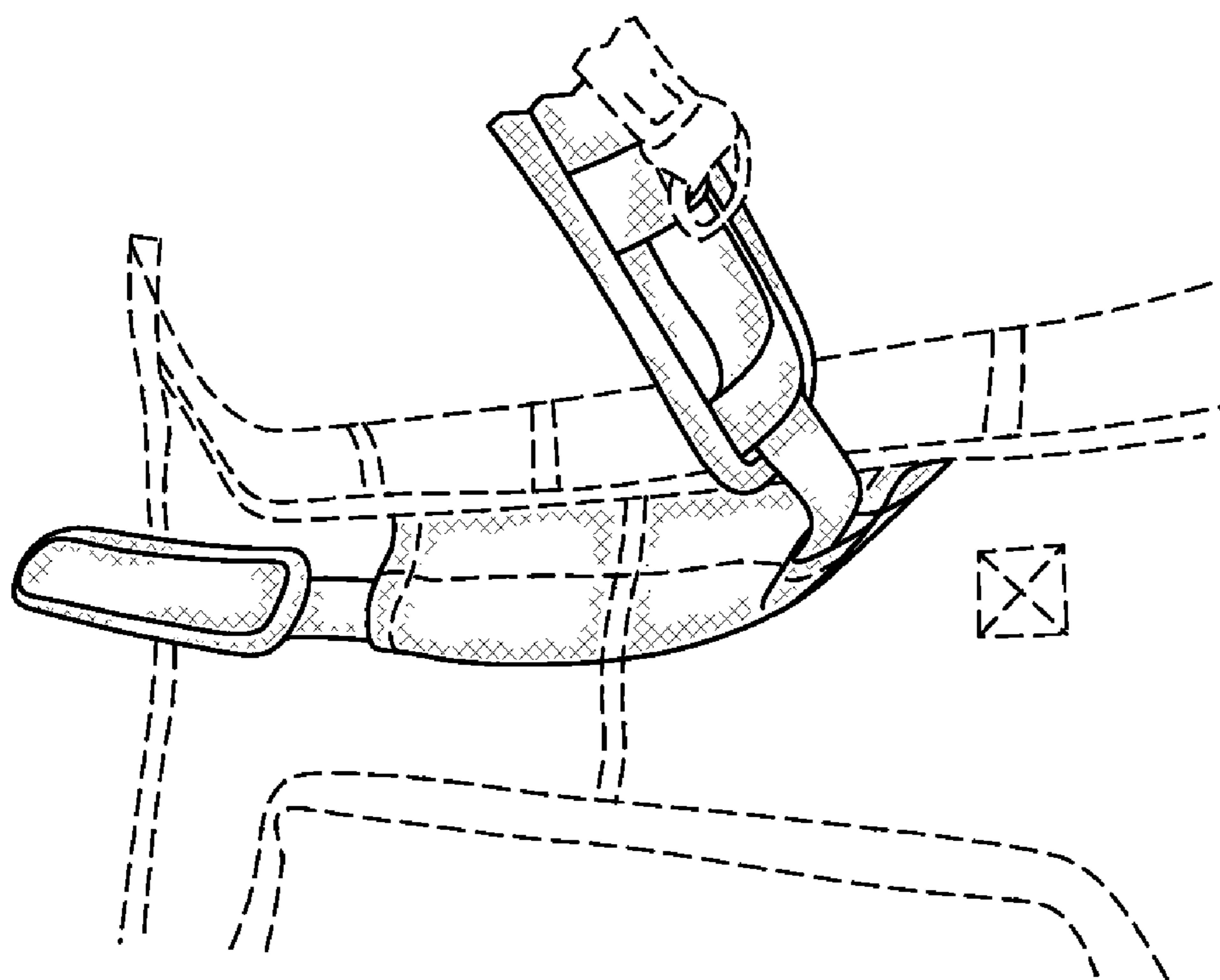


FIG. 3

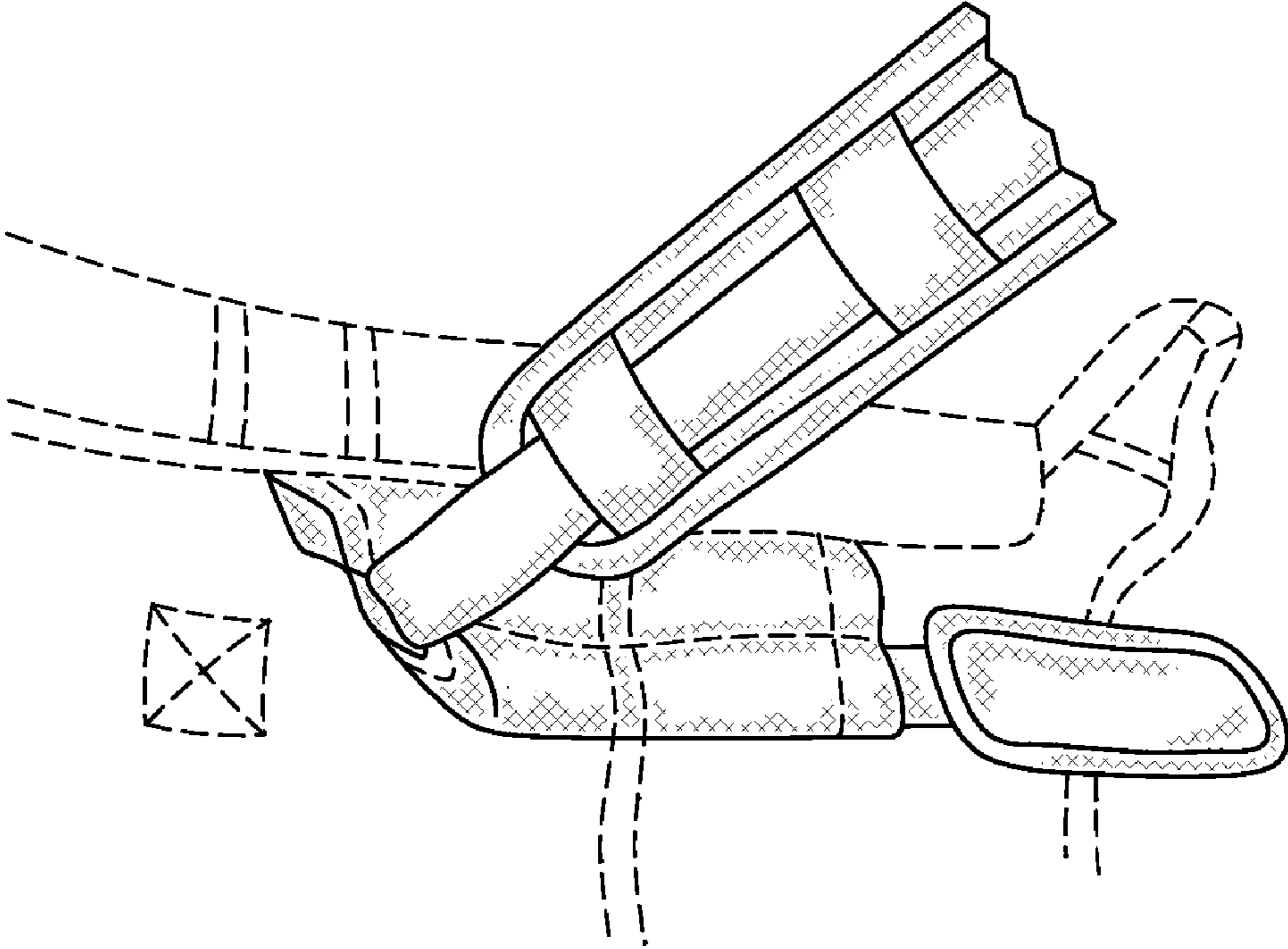


FIG. 4