



US00D629581S

(12) **United States Design Patent**  
**Smith**

(10) **Patent No.:** **US D629,581 S**

(45) **Date of Patent:** **\*\* Dec. 21, 2010**

(54) **TRAY FOR UTILITY CART**

(75) Inventor: **Michael K. Smith**, Westlake, OH (US)

(73) Assignee: **NMTC, Inc.**, Stow, OH (US)

(\*\*) Term: **14 Years**

(21) Appl. No.: **29/337,108**

(22) Filed: **May 14, 2009**

(51) **LOC (9) Cl.** ..... **12-02**

(52) **U.S. Cl.** ..... **D34/27**

(58) **Field of Classification Search** ..... D34/27,  
D34/12-26; 280/641, 47.35, 79.3, 79.11,  
280/79.2, 33.991, 47.37, 33.998; D6/445,  
D6/446, 448

See application file for complete search history.

(56) **References Cited**

**U.S. PATENT DOCUMENTS**

2,253,824 A	8/1941	Mortimer
D178,728 S	9/1956	Hamilton
2,830,825 A	4/1958	Webber et al.
2,886,186 A	5/1959	Hamilton
D188,315 S	7/1960	Frick
D191,303 S	9/1961	Tashman
3,407,959 A	10/1968	Roger
D300,787 S	4/1989	Carter
4,998,742 A	3/1991	Maynard
5,083,805 A	1/1992	Monch et al.
D341,914 S	11/1993	Reiner
5,280,933 A	1/1994	Finneyfrock

5,318,315 A	6/1994	White et al.
D361,422 S	8/1995	Coates
D423,177 S	4/2000	Gaffney et al.
6,079,719 A	6/2000	Tisbo et al.
6,129,366 A	10/2000	Dettmann et al.
6,213,483 B1	4/2001	Gaffney
D445,229 S	7/2001	Stravitz et al.
D446,622 S	8/2001	Gaffney et al.
D448,135 S	9/2001	Petro
6,572,123 B2	6/2003	Calmeise et al.
6,739,605 B2	5/2004	Calmeise et al.
D495,846 S	9/2004	Liu
7,014,200 B2	3/2006	Calmeise et al.
D588,322 S *	3/2009	Tilk et al. .... D34/20

\* cited by examiner

*Primary Examiner*—Cynthia E Ramirez

(74) *Attorney, Agent, or Firm*—Hahn Loeser & Parks LLP

(57) **CLAIM**

The ornamental design for a tray for utility cart, as shown and as described.

**DESCRIPTION**

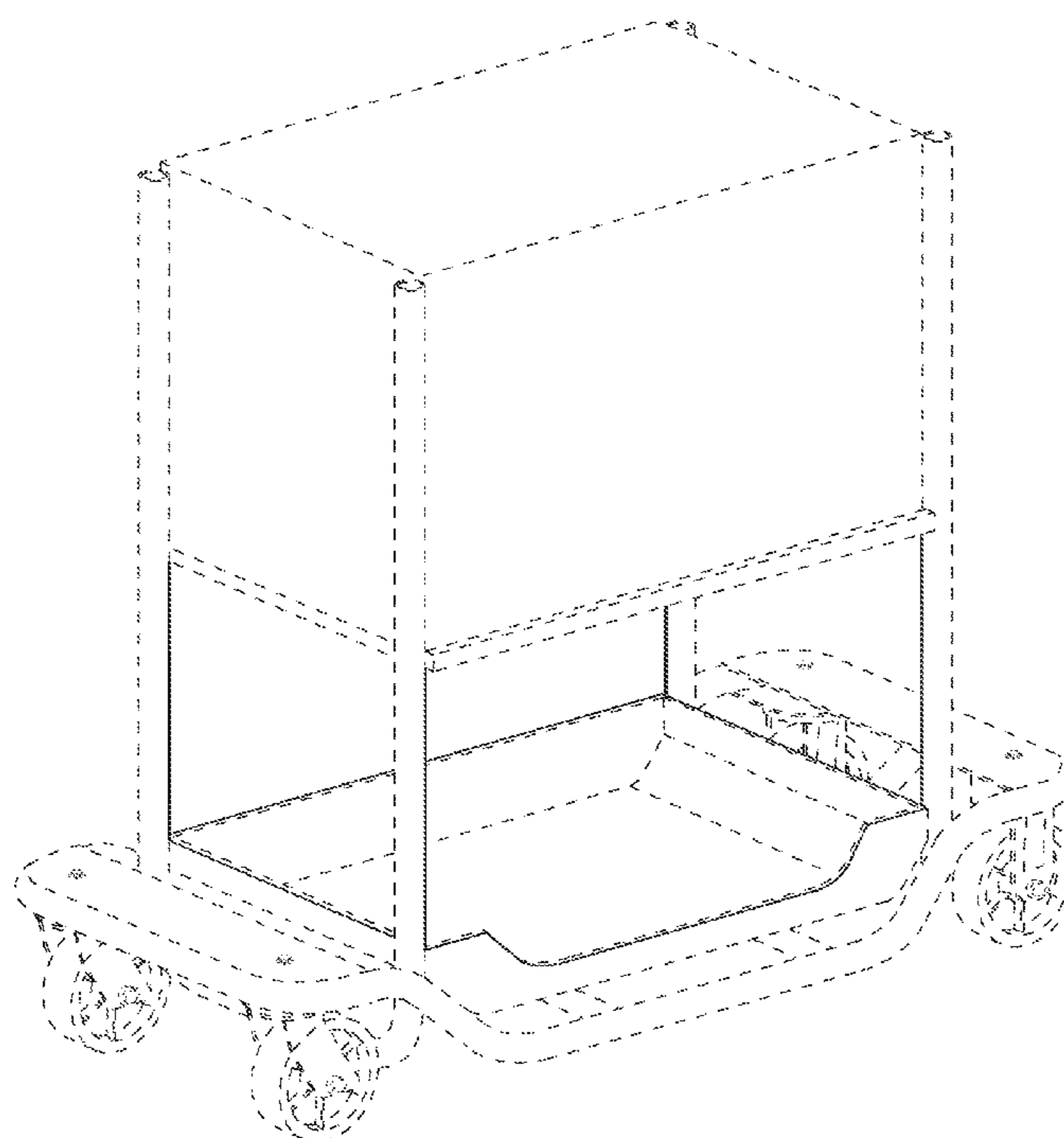
FIG. 1 is a perspective view showing the frontal right side of my tray for utility cart;

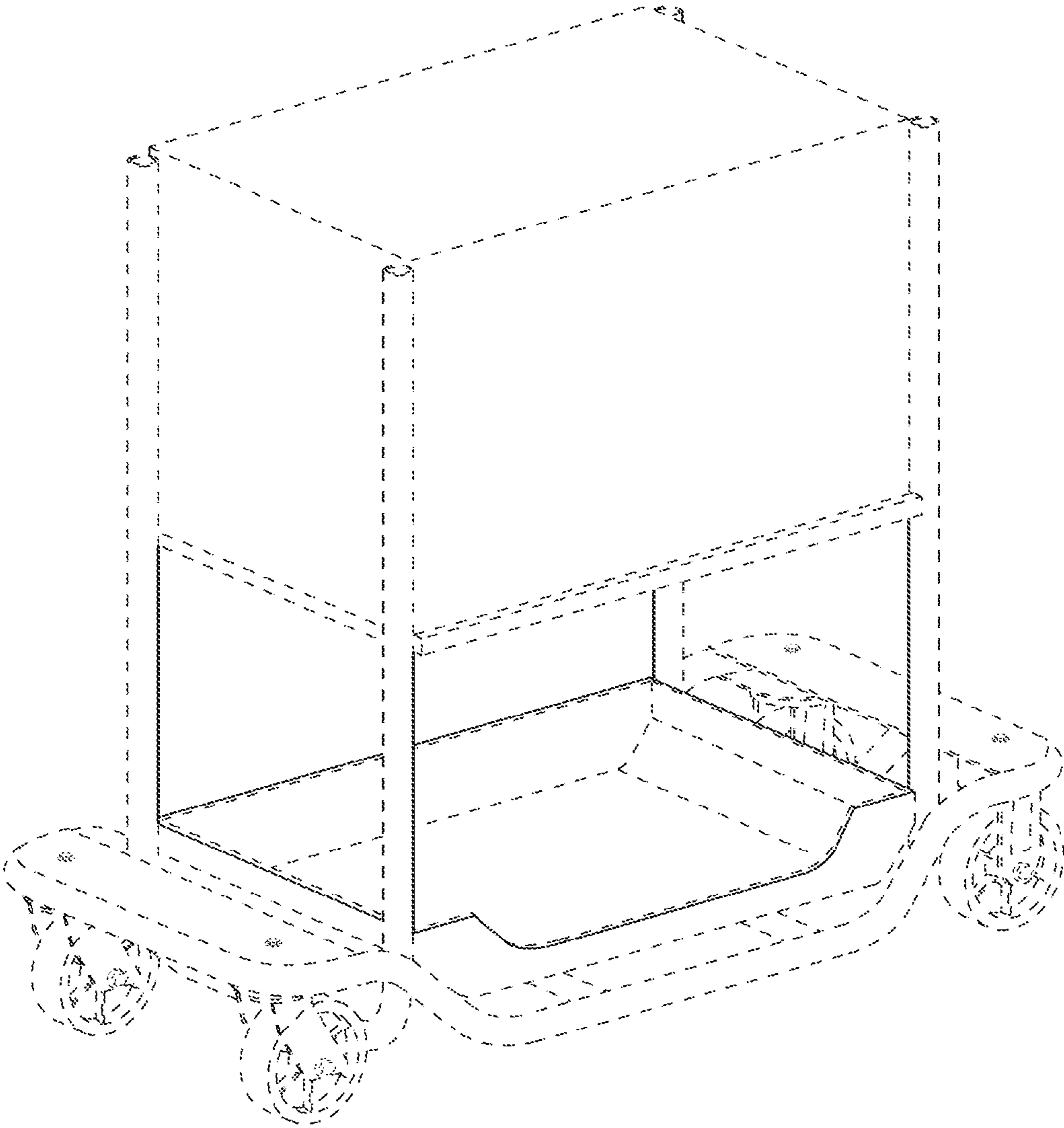
FIG. 2 is a front view of the tray for utility cart; and;

FIG. 3 is a rear view thereof.

The dashed lines shown in the Figures are for illustration only and form no part of the claimed design.

**1 Claim, 2 Drawing Sheets**





*Fig. 1*

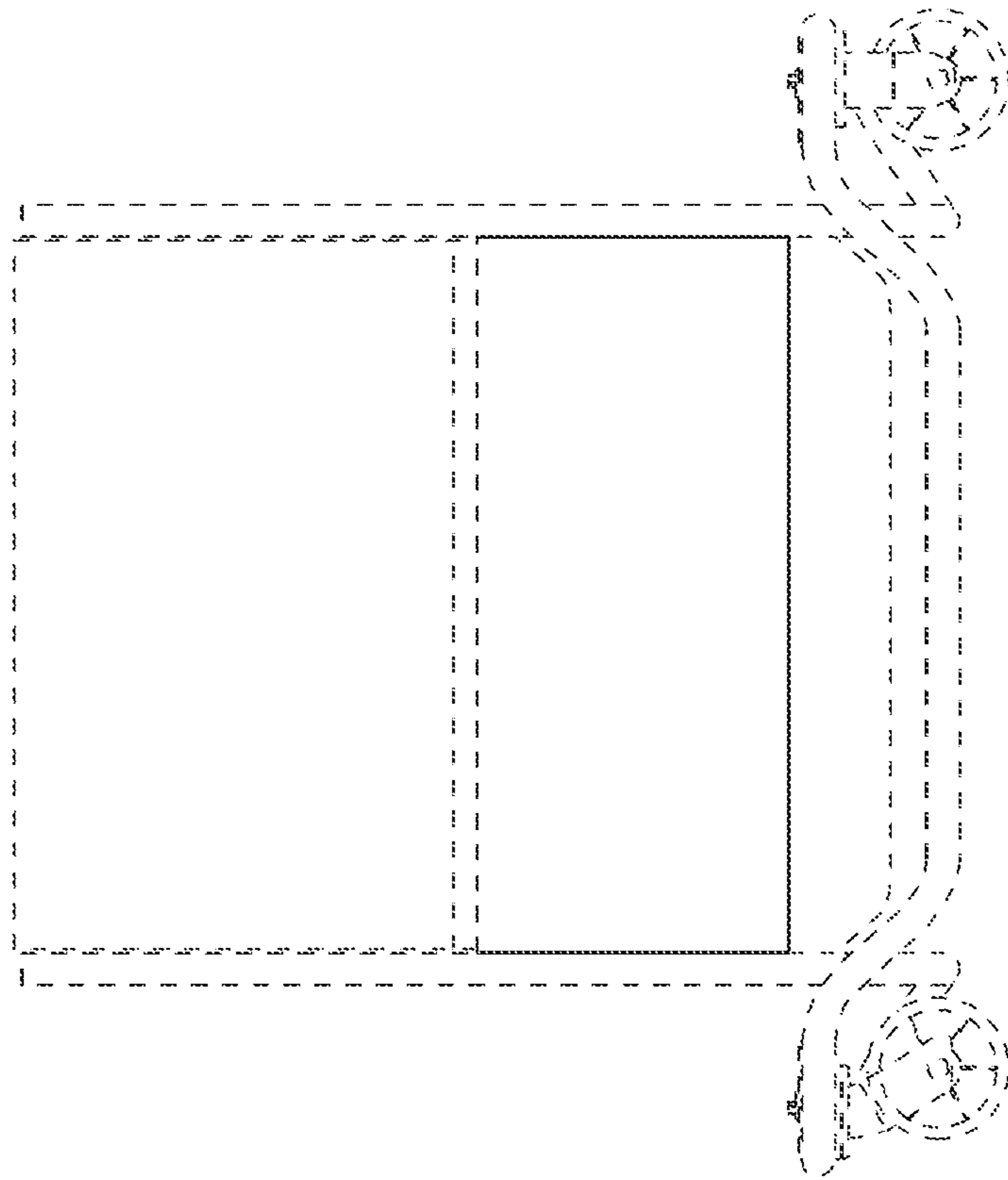


Fig. 2

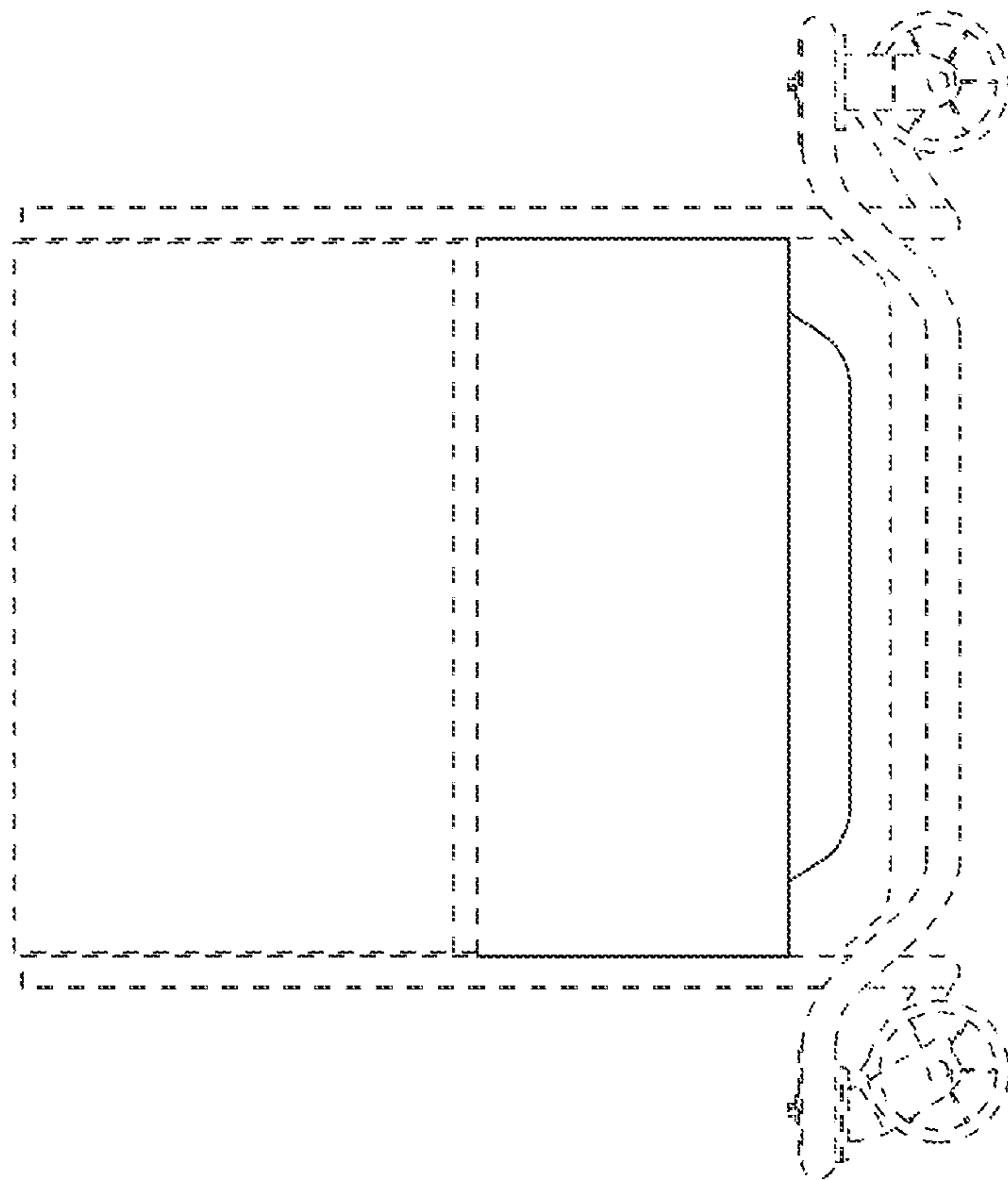


Fig. 3