



US00D629580S

(12) **United States Design Patent**  
**Kalajyan**

(10) **Patent No.:** **US D629,580 S**

(45) **Date of Patent:** **\*\* Dec. 21, 2010**

(54) **DOLLY**

(57) **CLAIM**

(75) Inventor: **Artem Kalajyan**, City of Industry, CA (US)

I claim the ornamental design for a dolly, as shown and described.

(73) Assignee: **JPJ Investments Holding Corp.**, Carson City, NV (US)

**DESCRIPTION**

(\*\*) Term: **14 Years**

(21) Appl. No.: **29/317,004**

(22) Filed: **Apr. 21, 2008**

(51) **LOC (9) Cl.** ..... **12-02**

(52) **U.S. Cl.** ..... **D34/17**

(58) **Field of Classification Search** ..... D34/12-27;  
280/79.2, 79.11, 79.3, 47.34, 651  
See application file for complete search history.

FIG. 1 is a front perspective view of a dolly embodying the novel design;

FIG. 2 is a top plan view of the dolly of FIG. 1;

FIG. 3 is a bottom plan view of the dolly of FIG. 1;

FIG. 4 is a side elevational view of the dolly of FIG. 1, the other side and the front and rear elevational views being the same;

FIG. 5 is a bottom perspective view of the dolly embodying the design;

FIG. 6 is a top plan view of an alternate embodiment to the one shown in FIGS. 1-5 but showing three projecting legs instead of four about the periphery of the dolly;

FIG. 7 is similar to FIG. 6 but showing six projecting legs; and,

FIG. 8 is similar to FIGS. 6 and 7 but showing five projecting legs.

The broken lines shown in FIGS. 6-8 are to show the boundaries of the claimed design.

(56) **References Cited**

**U.S. PATENT DOCUMENTS**

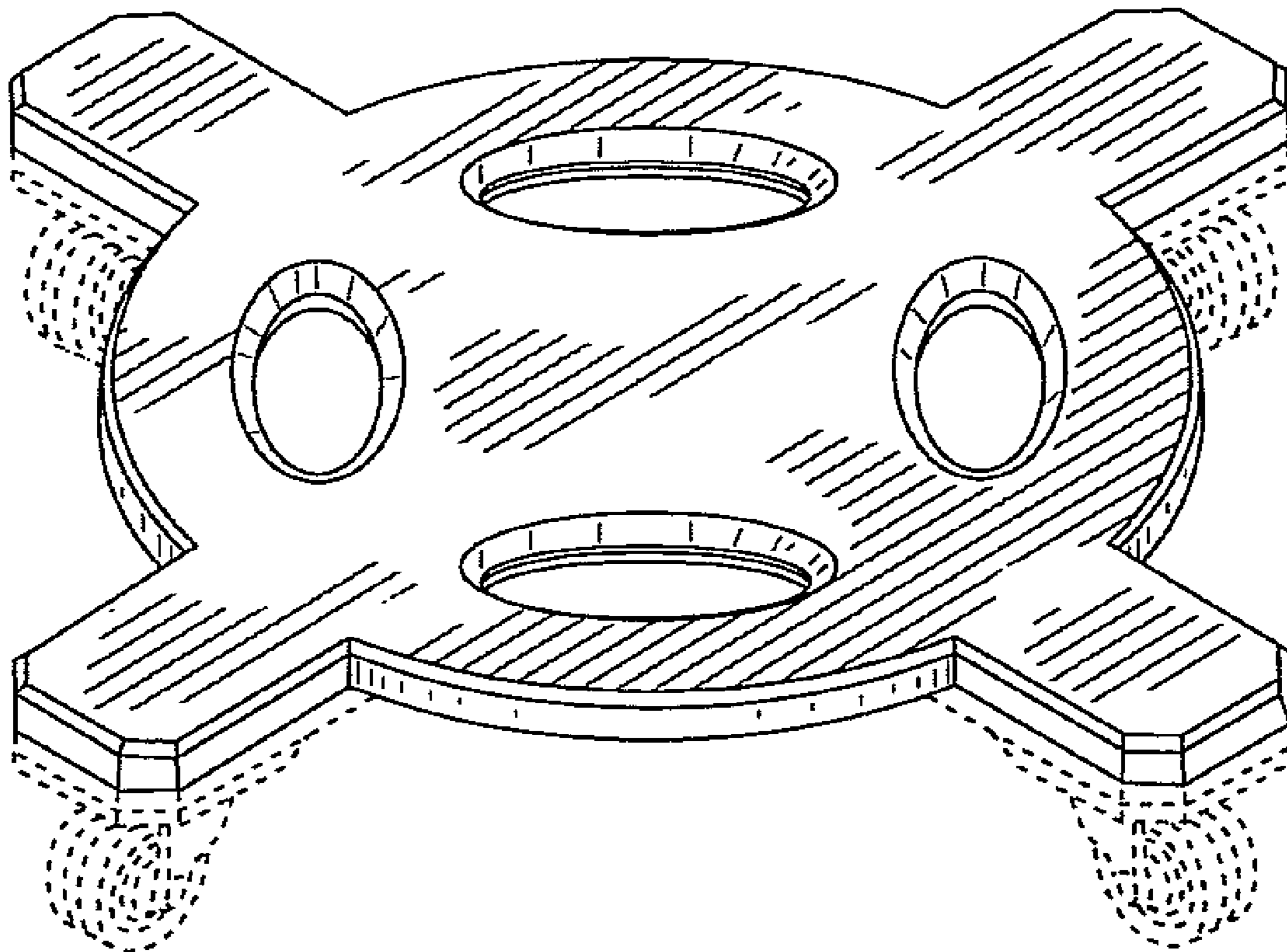
D251,833	S	*	5/1979	Maza et al.	.....	D34/23
D309,811	S	*	8/1990	Terrizzi	.....	D34/23
D349,995	S	*	8/1994	Cassel et al.	.....	D34/23
5,823,549	A	*	10/1998	Morgan, Jr.	.....	280/33.998

\* cited by examiner

*Primary Examiner*—Cynthia E Ramirez

(74) *Attorney, Agent, or Firm*—Lackenbach Siegel, LLP;  
Myron Greenspan

**1 Claim, 2 Drawing Sheets**



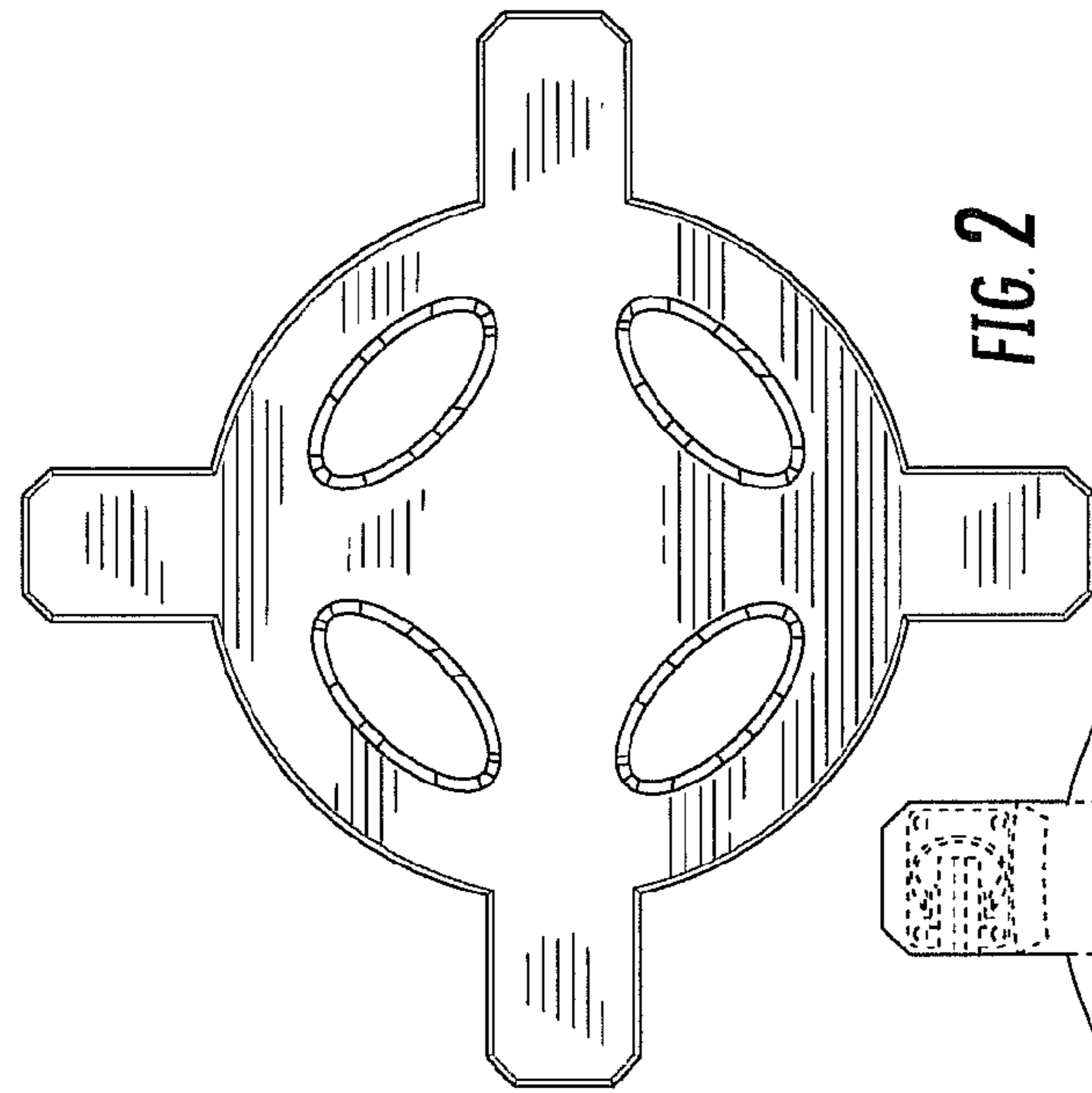


FIG. 2

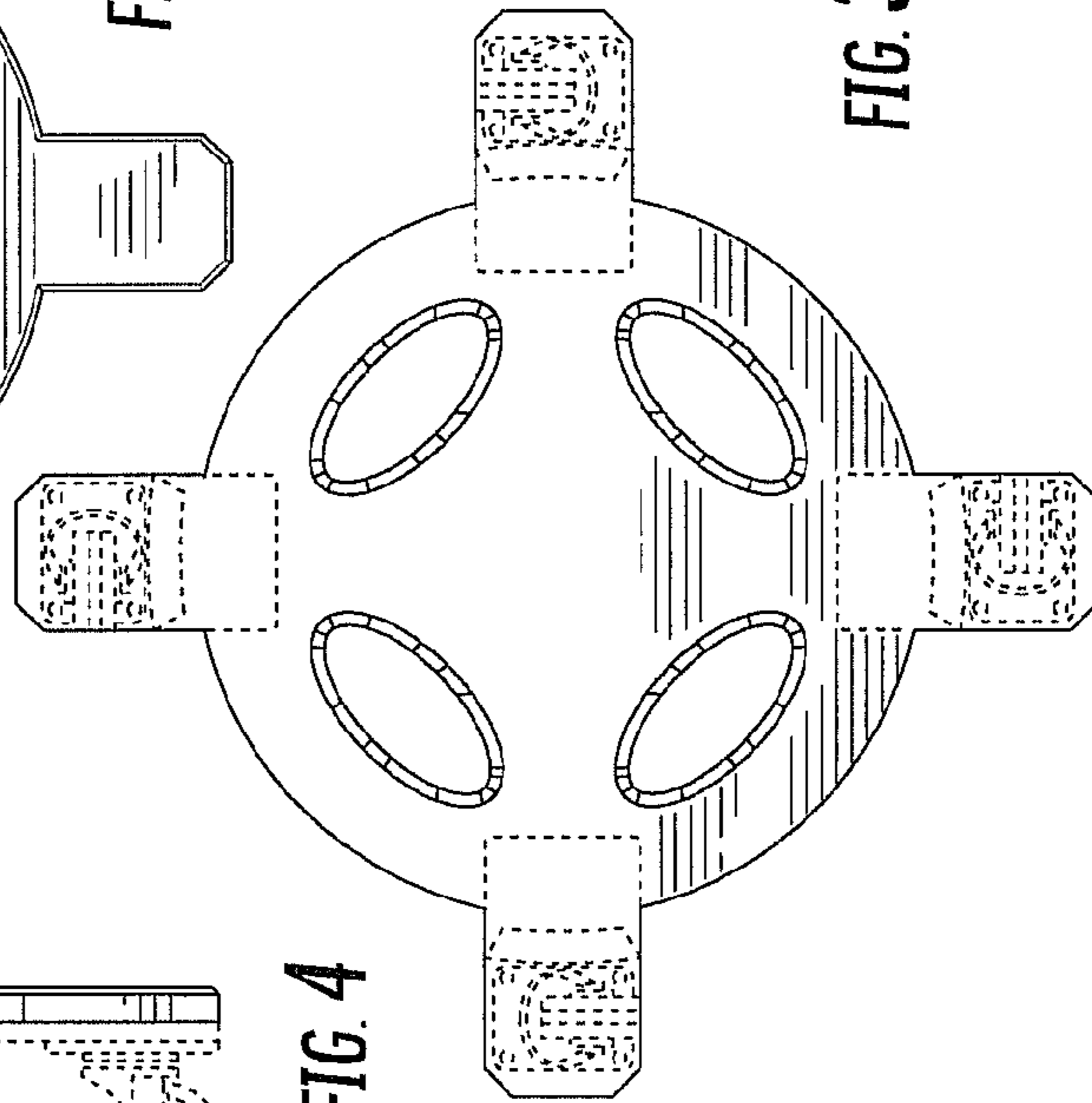


FIG. 3

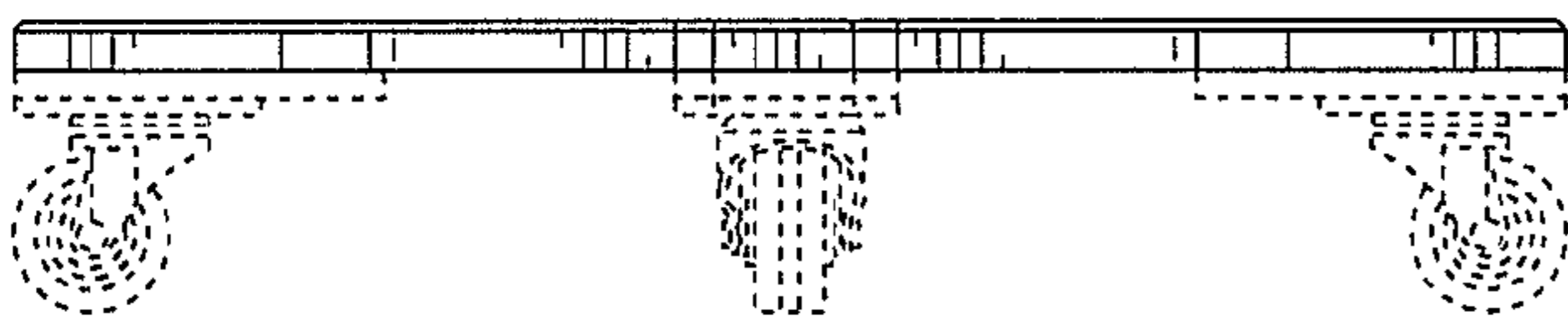


FIG. 4

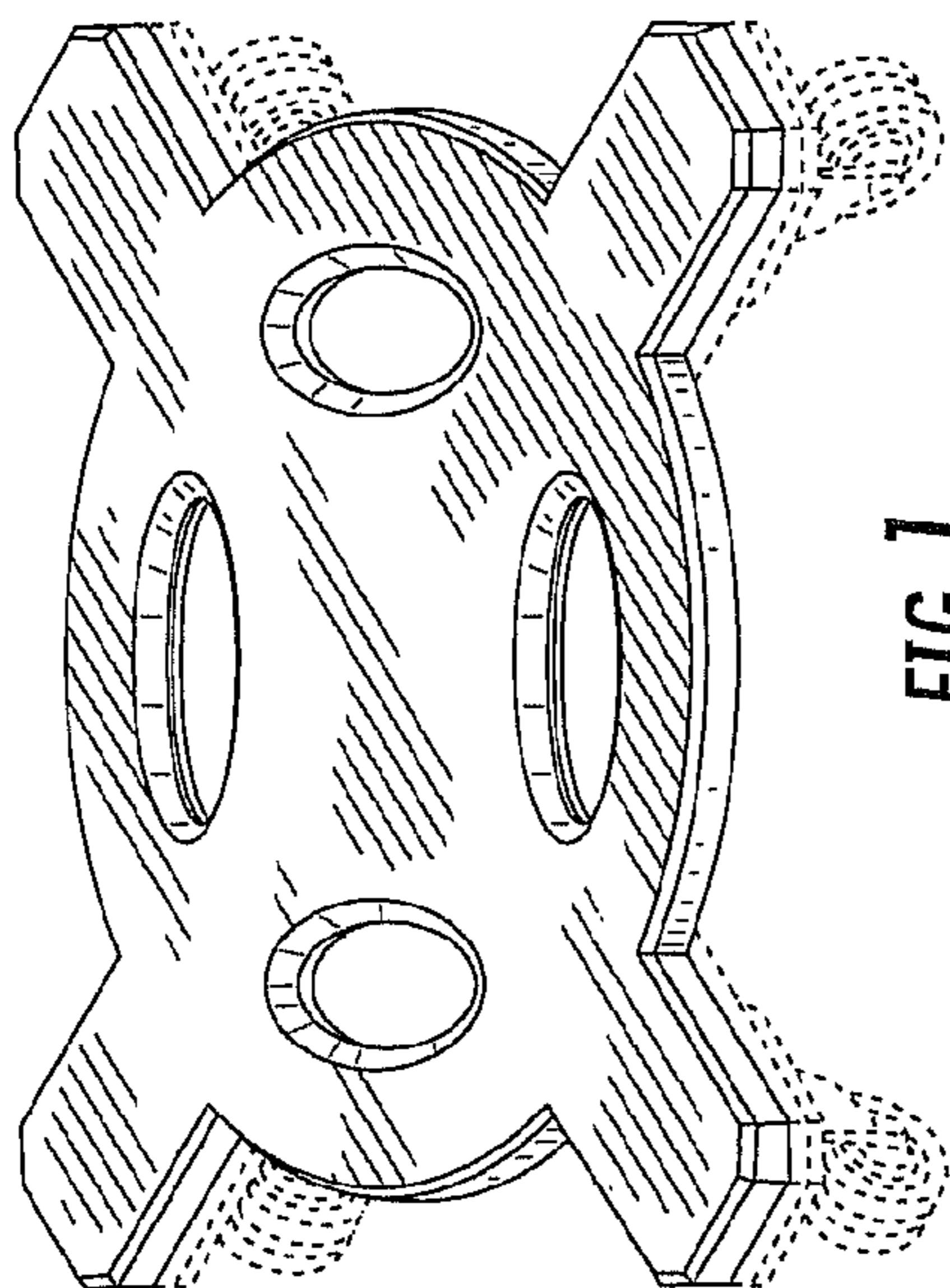


FIG. 1

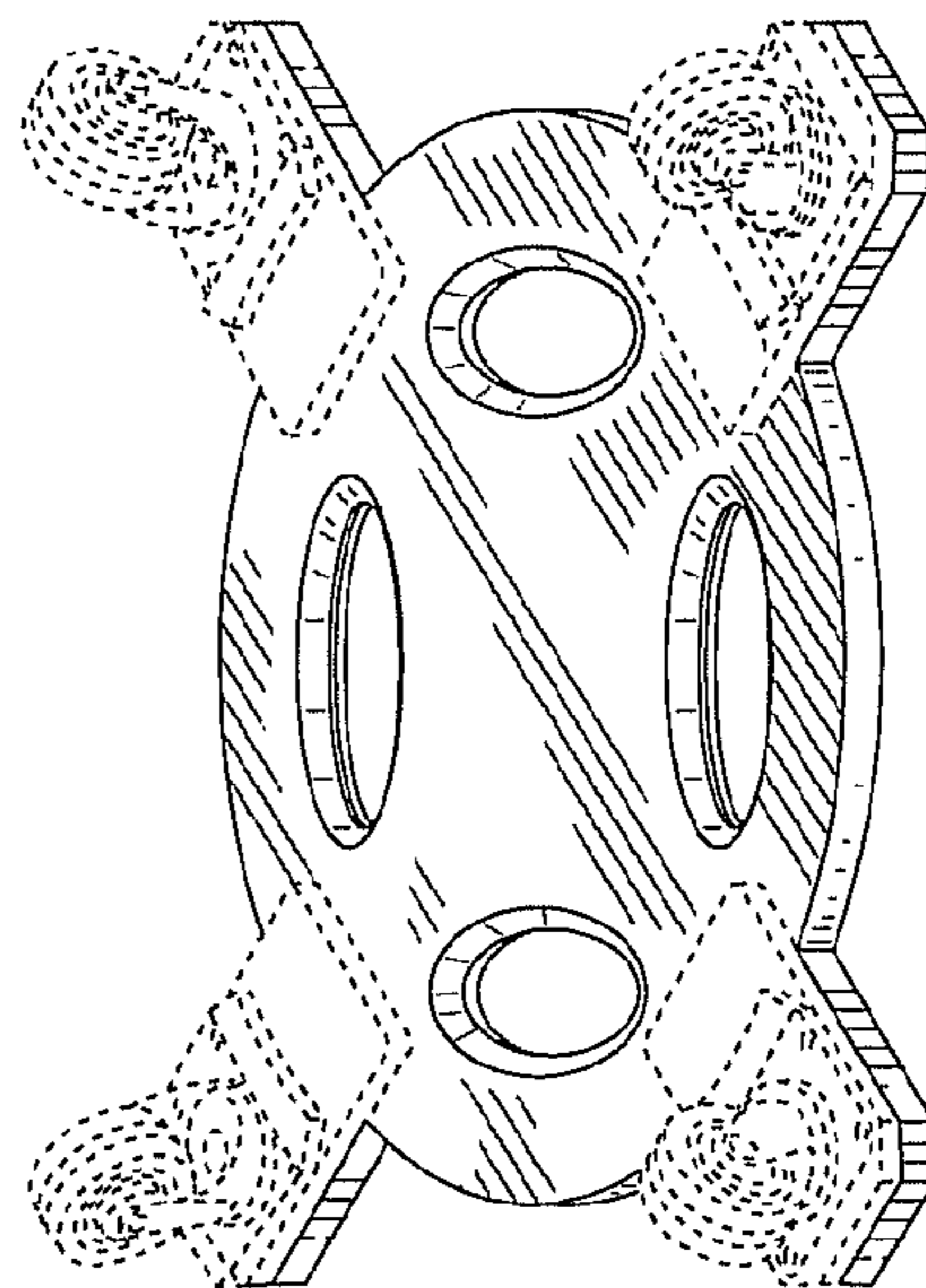


FIG. 5

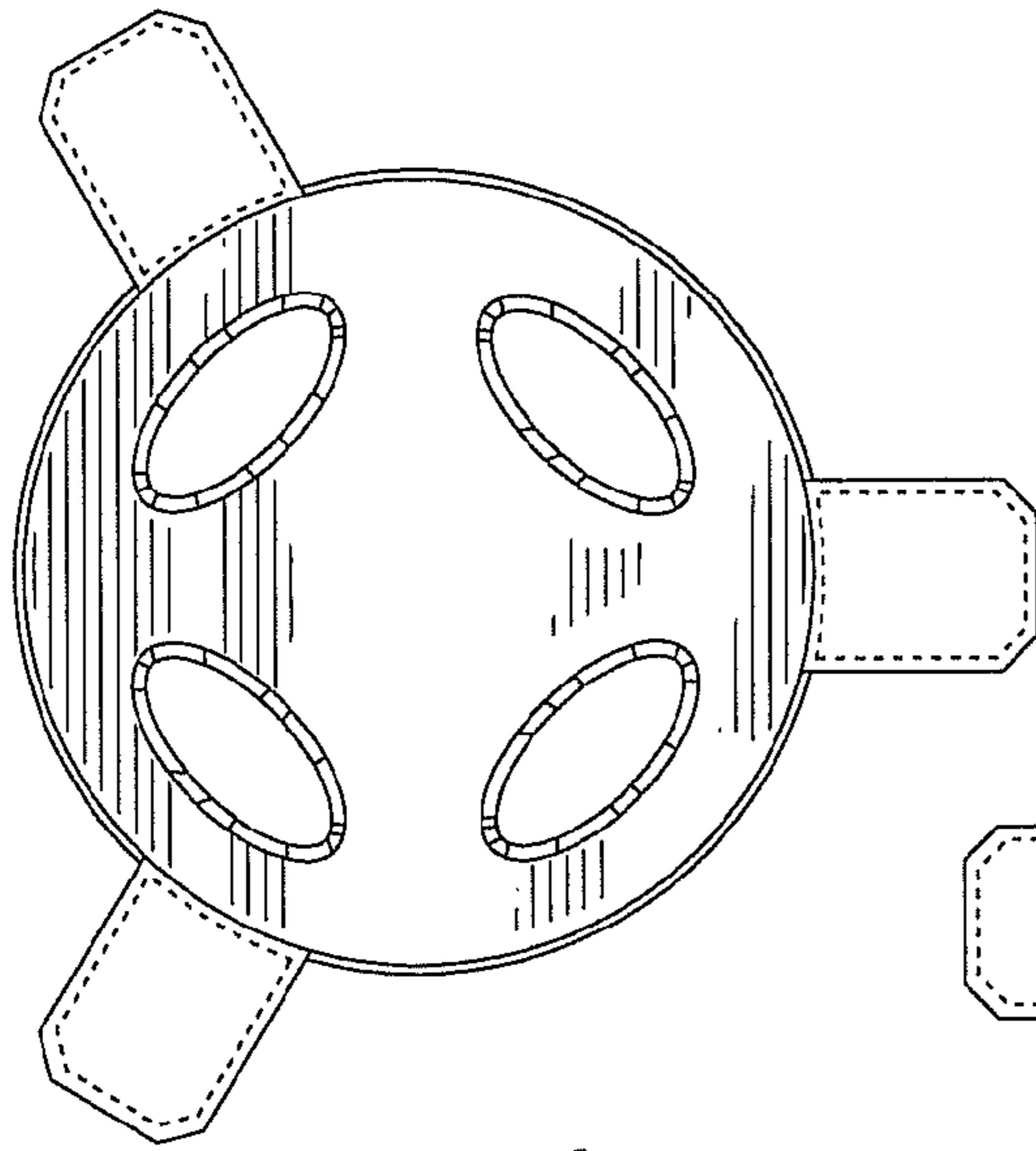


FIG. 6

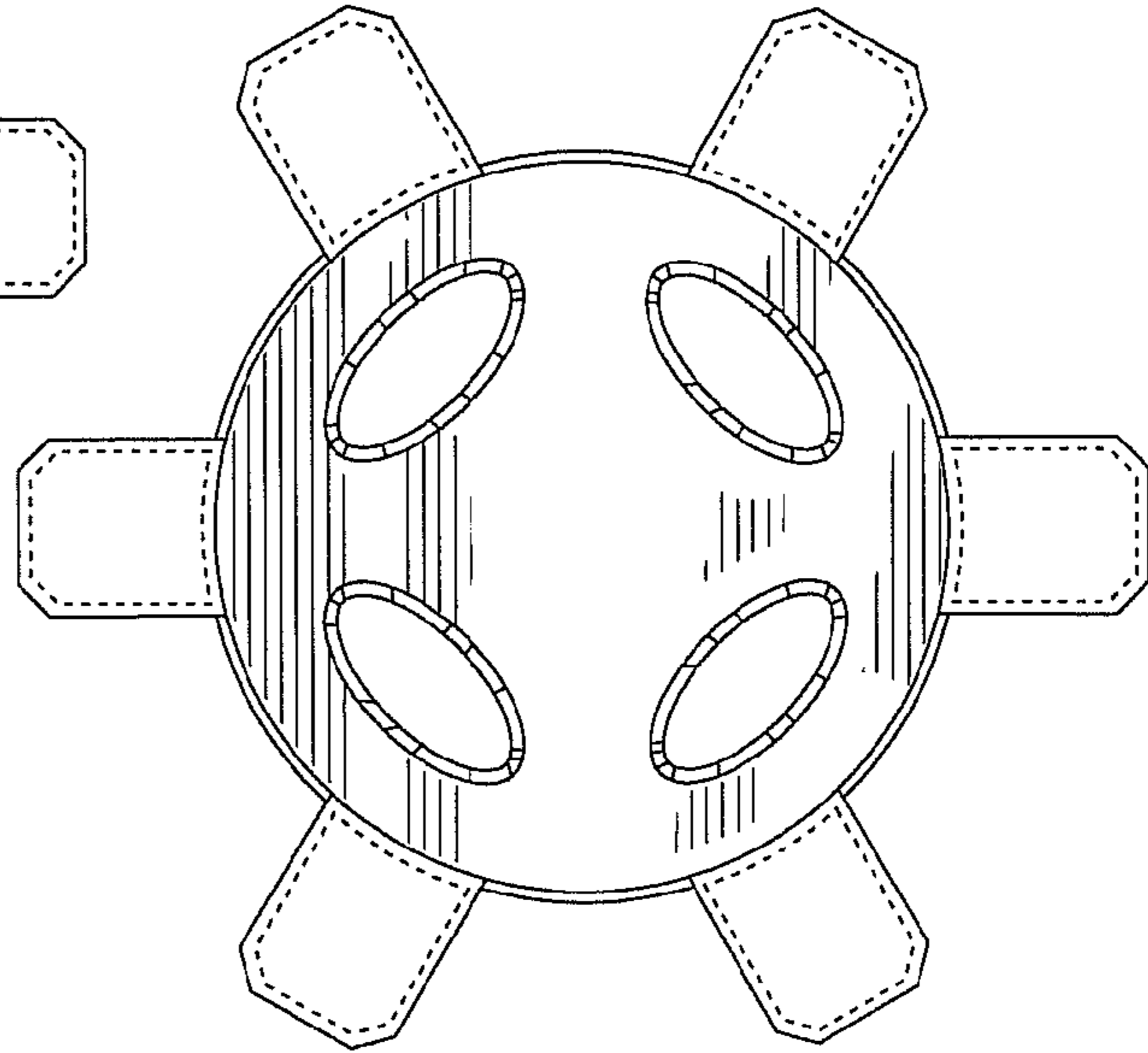


FIG. 7

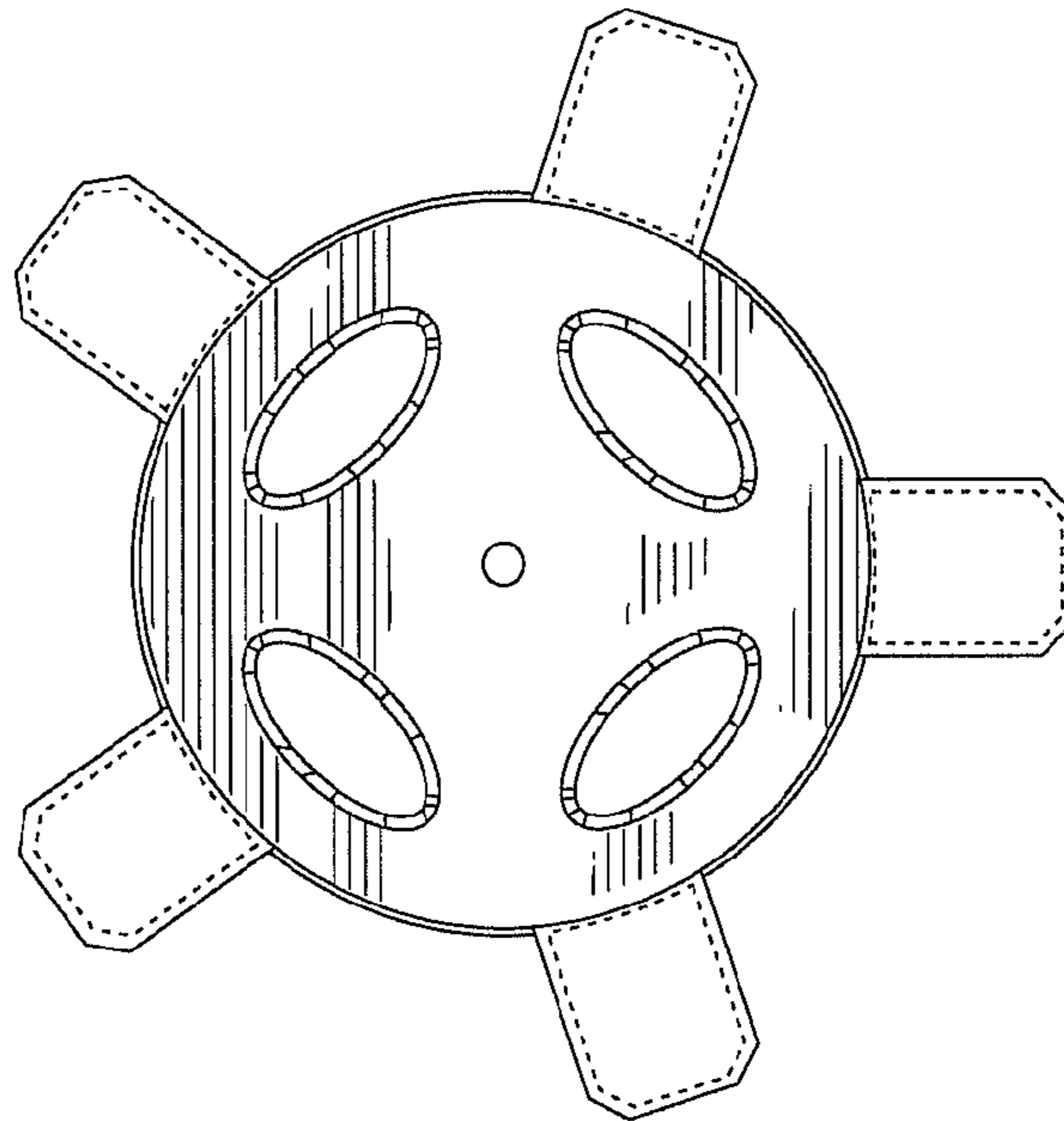


FIG. 8