



US00D629577S

(12) **United States Design Patent**  
**Bassett et al.**

(10) **Patent No.:** **US D629,577 S**  
(45) **Date of Patent:** **\*\* Dec. 21, 2010**

(54) **VACUUM CLEANER**

(75) Inventors: **Alexander Anthony Denny Bassett**,  
Kenilworth (GB); **Klaus Fiorino**, Colere  
(IT)

(73) Assignee: **Hoover Limited**, Merthyr Tydfil (GB)

(\*\*) Term: **14 Years**

(21) Appl. No.: **29/313,596**

(22) Filed: **Jan. 26, 2009**

(30) **Foreign Application Priority Data**

Jul. 25, 2008 (EM) ..... 000977160-0002

(51) **LOC (9) Cl.** ..... **15-05**

(52) **U.S. Cl.** ..... **D32/22**

(58) **Field of Classification Search** ..... D32/21-22,  
D32/31, 34, 25; 15/347, 350-353, 361, 410-411,  
15/335, 366, 229.2, 246.2, 327.1-327.2;  
55/366, 429, 315, 356, 372

See application file for complete search history.

(56) **References Cited**

**U.S. PATENT DOCUMENTS**

D429,854 S \* 8/2000 Hohulin et al. .... D32/22  
D431,332 S \* 9/2000 Hamm et al. .... D32/22  
D434,884 S \* 12/2000 Hohulin et al. .... D32/22  
D435,945 S \* 1/2001 Ikeno et al. .... D32/22

D494,720 S \* 8/2004 Rosenzweig et al. .... D32/31  
D533,696 S \* 12/2006 Ikeno et al. .... D32/22  
7,188,388 B2 \* 3/2007 Best et al. .... 15/329  
D588,760 S \* 3/2009 Chun et al. .... D32/22  
D591,917 S \* 5/2009 Kent ..... D32/22

\* cited by examiner

*Primary Examiner*—Ruth McInroy

(74) *Attorney, Agent, or Firm*—Daniel P. Burke & Associates,  
PLLC

(57) **CLAIM**

The ornamental design for a vacuum cleaner, as shown and described.

**DESCRIPTION**

FIG. 1 is a top, front and left-side perspective view of a vacuum cleaner showing our new design;

FIG. 2 is a top, front and right-side perspective view thereof;

FIG. 3 is a front view thereof;

FIG. 4 is a rear view thereof;

FIG. 5 is a left side view thereof;

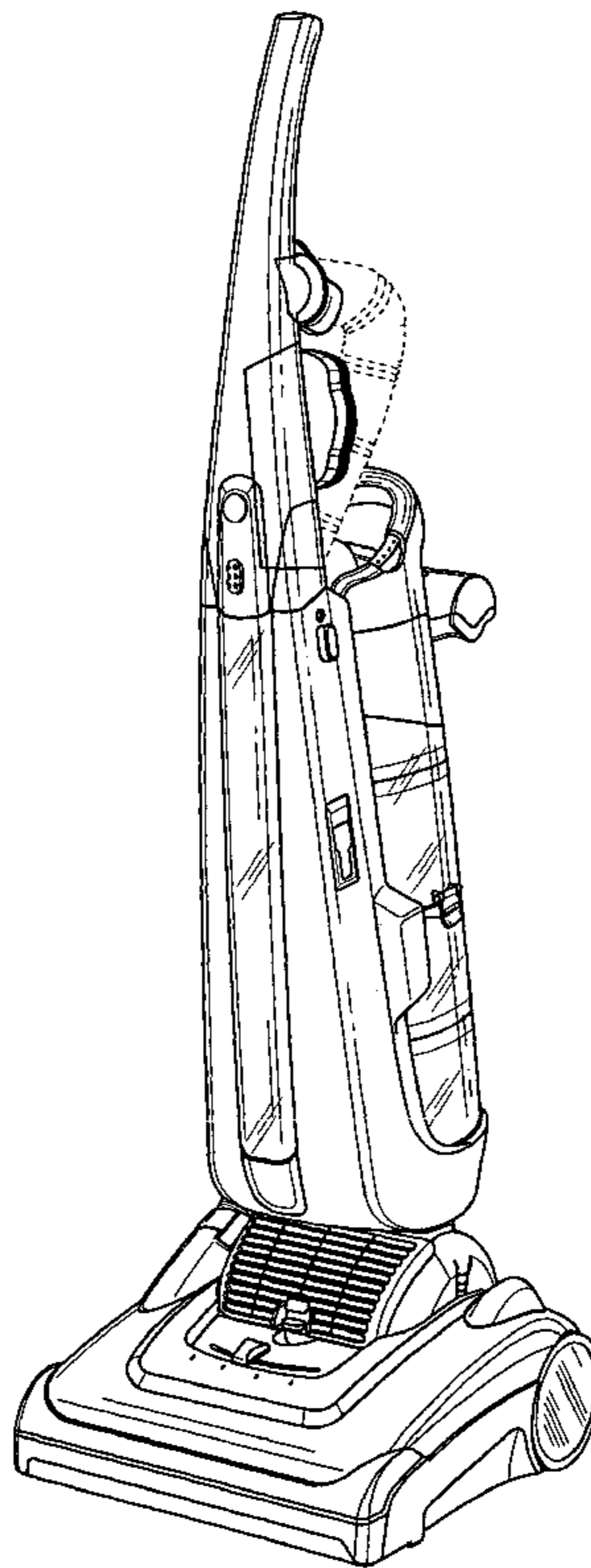
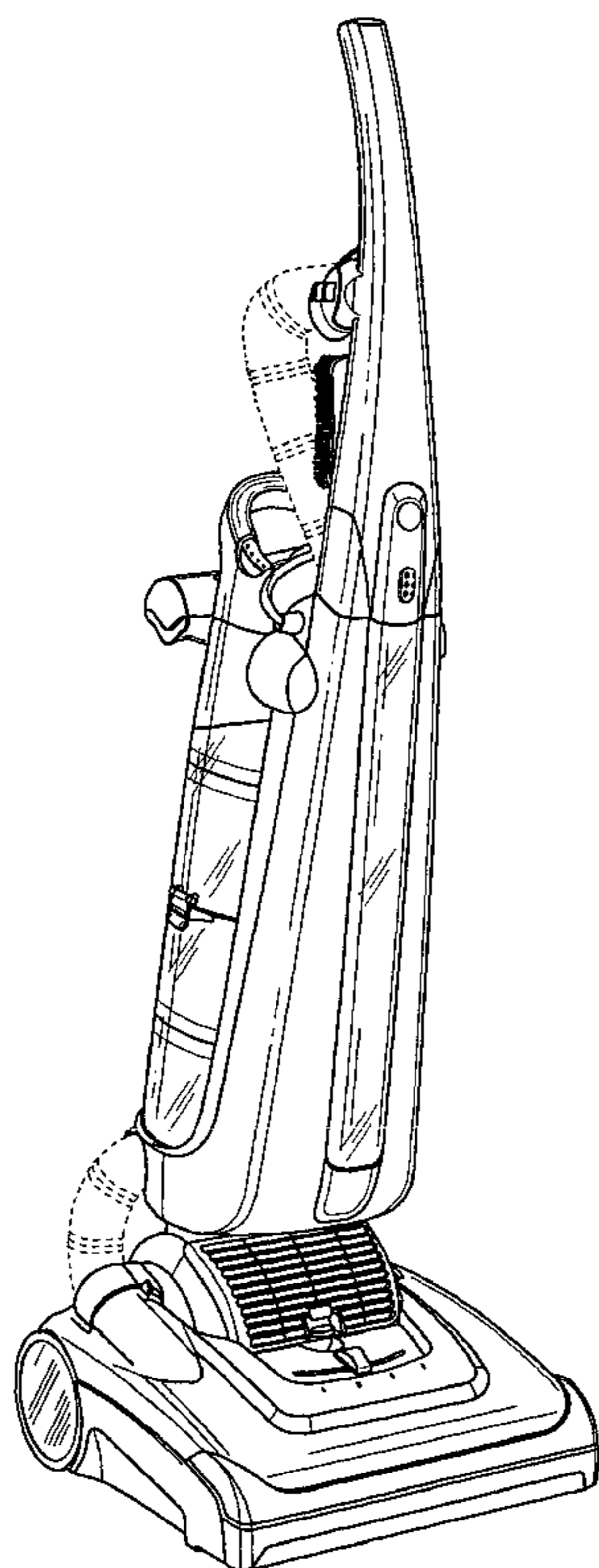
FIG. 6 is a right side view thereof;

FIG. 7 is a top view thereof; and,

FIG. 8 is a bottom view thereof.

The details shown in broken lines form no part of the claimed design.

**1 Claim, 8 Drawing Sheets**



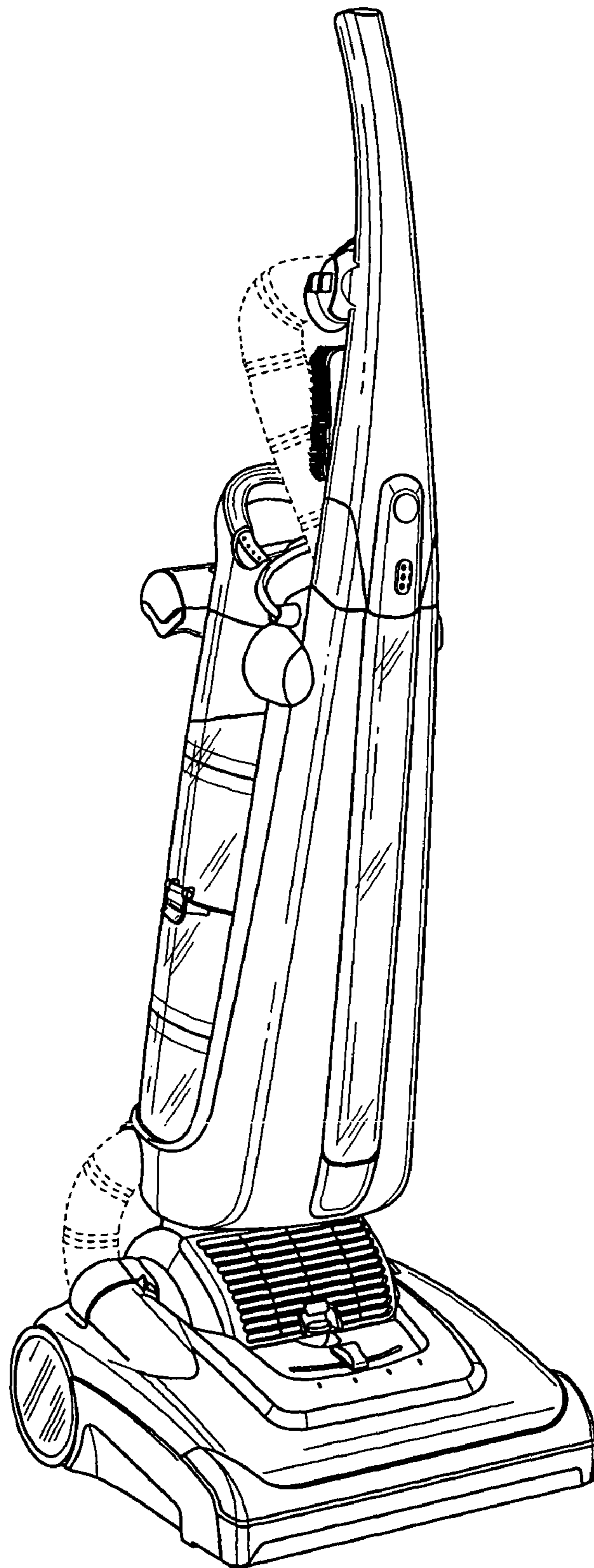


FIG. 1

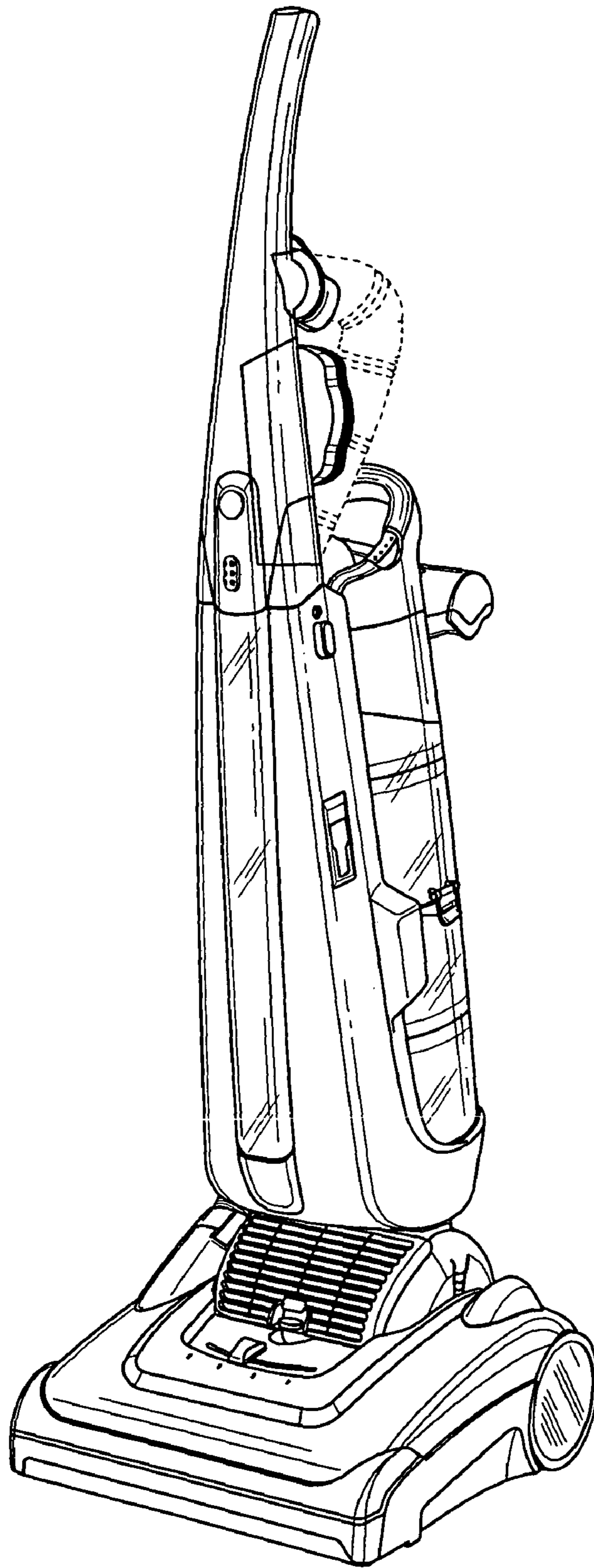
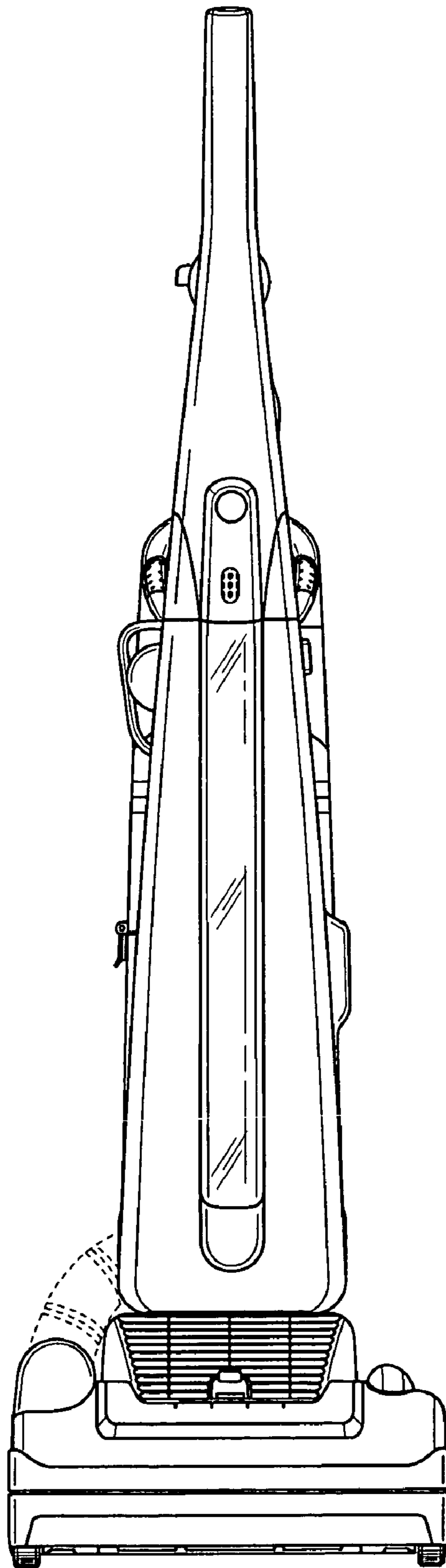
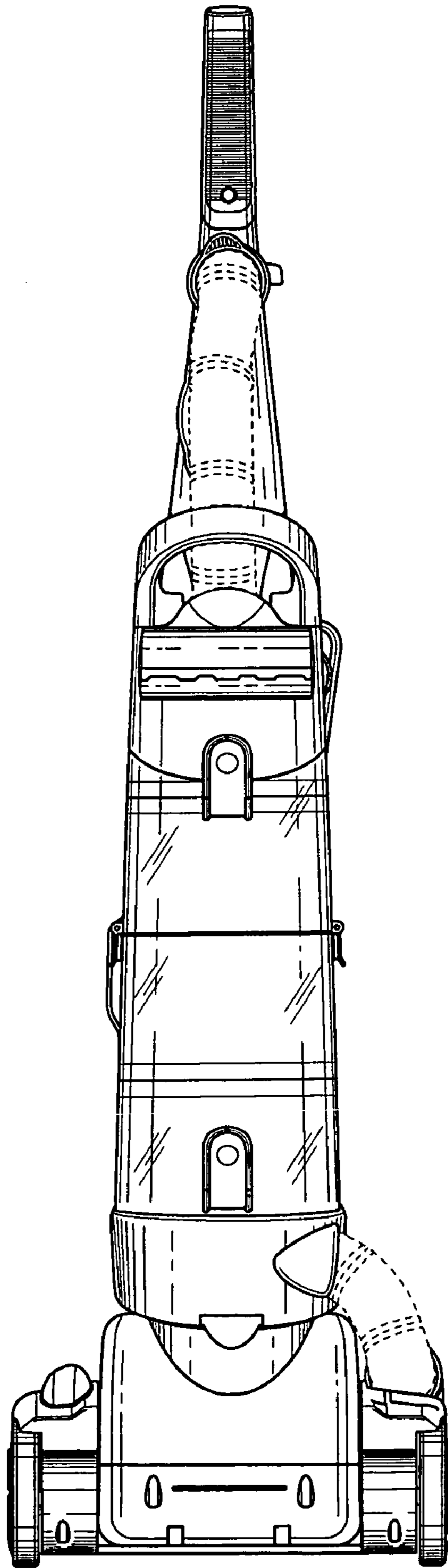


FIG. 2



**FIG. 3**



**FIG. 4**

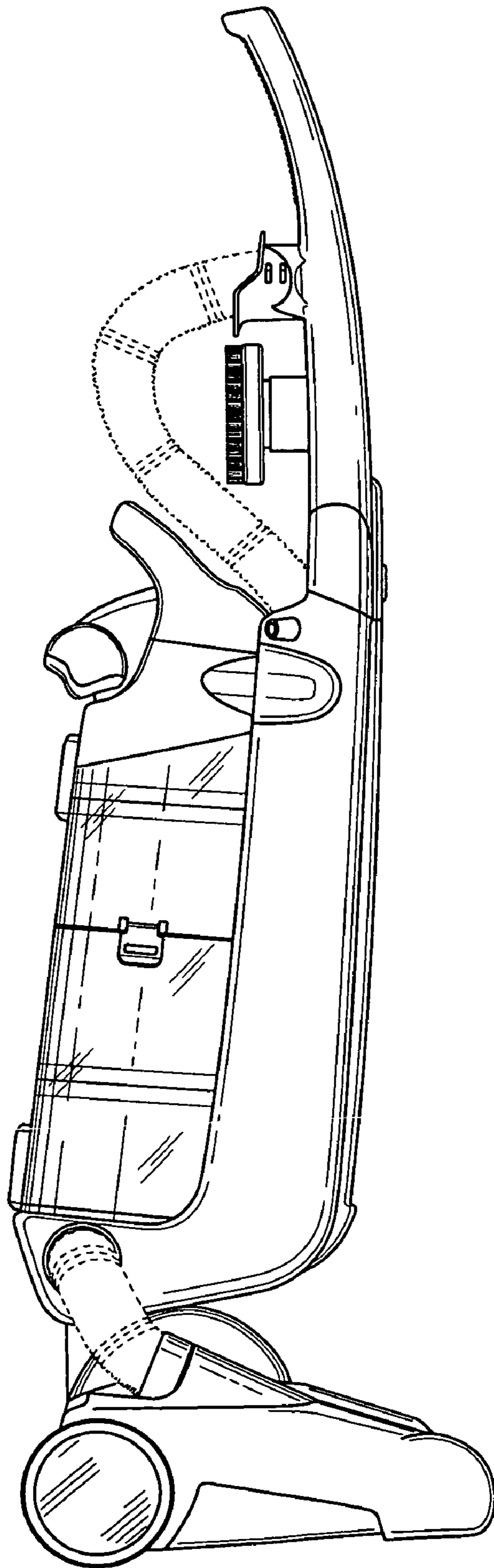


FIG. 5

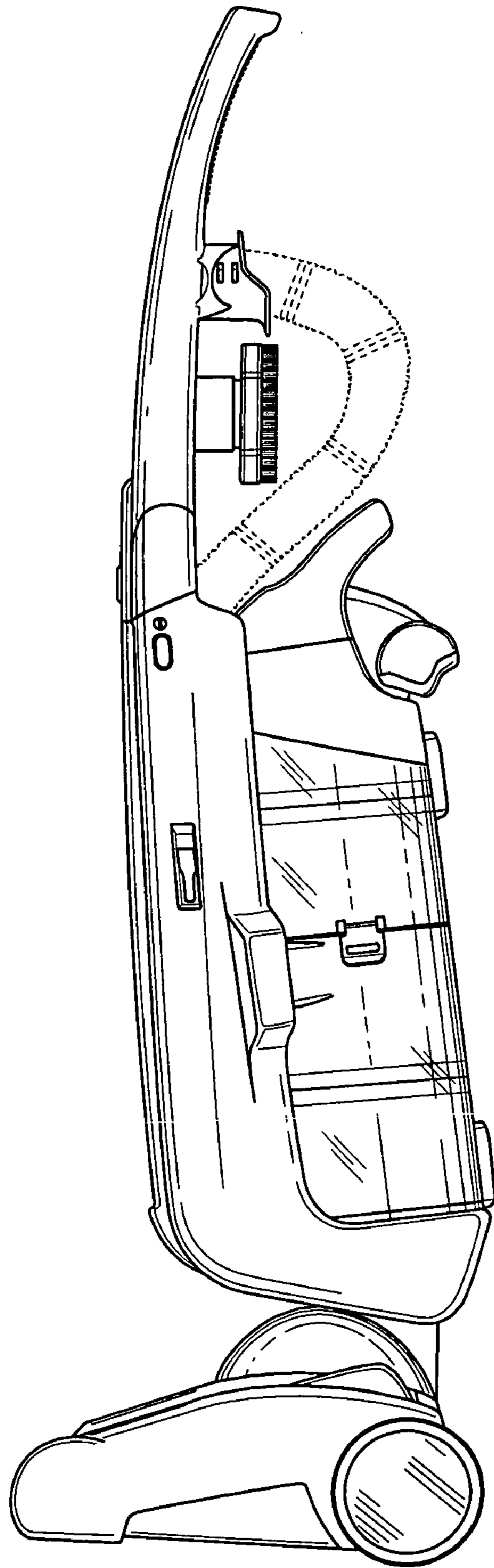
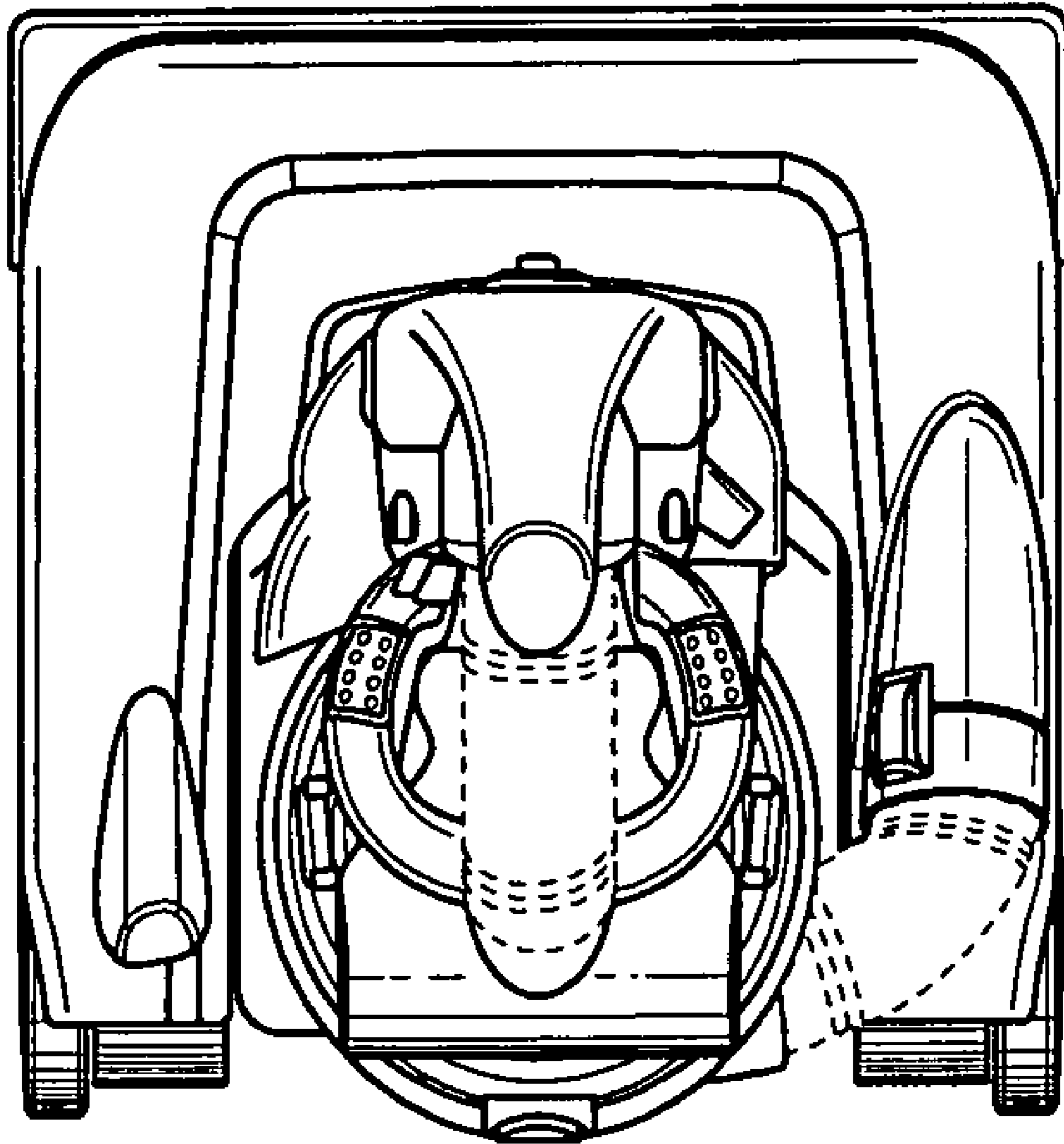
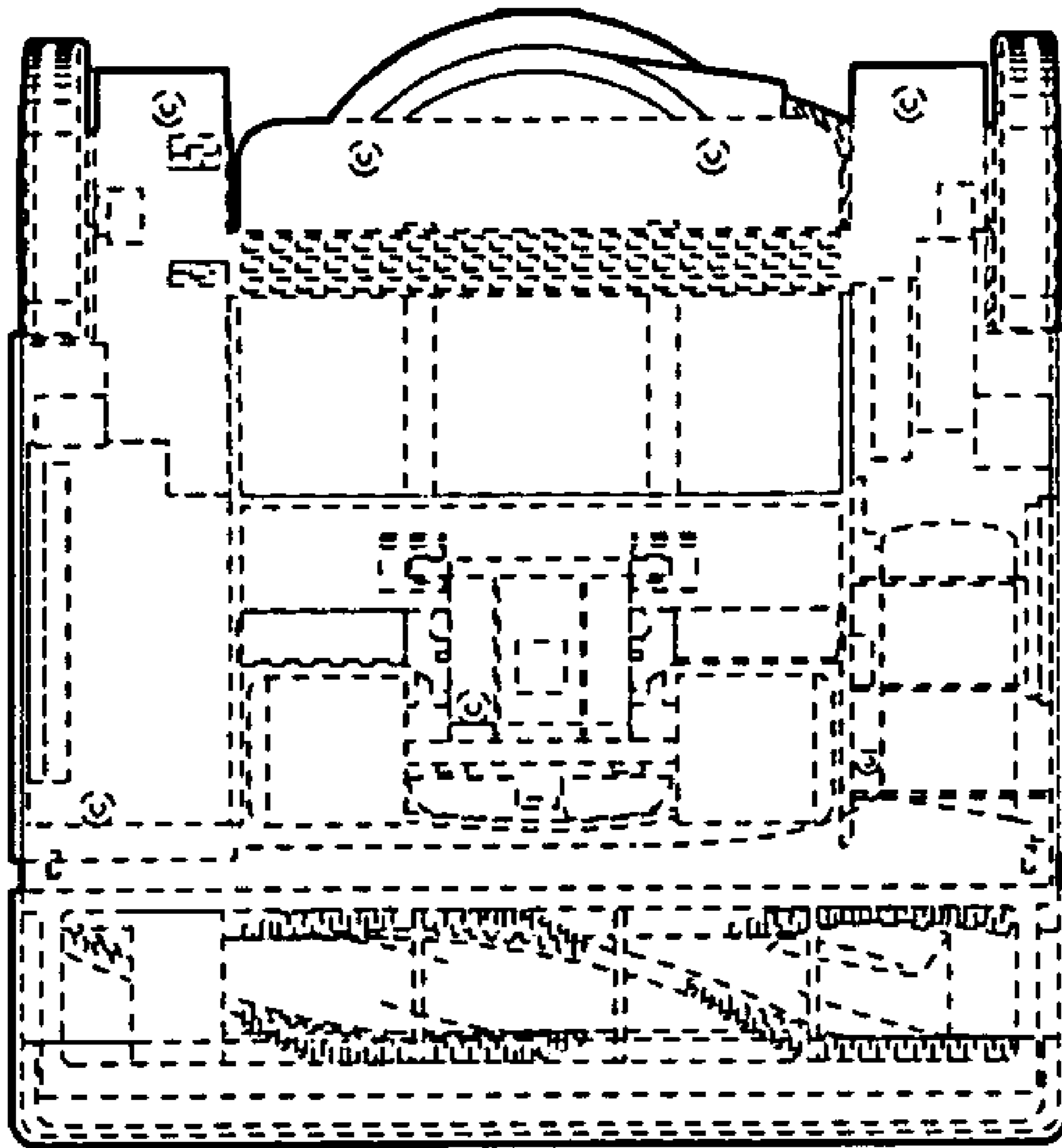


FIG. 6



**FIG. 7**





**FIG. 8**