



US00D629572S

(12) **United States Design Patent**
Meritt

(10) **Patent No.:** **US D629,572 S**
(45) **Date of Patent:** **** Dec. 21, 2010**

(54) **ANIMAL FEEDER**

FOREIGN PATENT DOCUMENTS

(75) Inventor: **Rick Meritt**, Gilmer, TX (US)

GB 2129266 A 5/1984

(73) Assignee: **Rick Meritt Investments, Ltd.**, Gilmer, TX (US)

(Continued)

(**) Term: **14 Years**

OTHER PUBLICATIONS

(21) Appl. No.: **29/345,591**

Advertisement (Mumme's Inc.) (1 page), Texas Deer Association Tracks, vol. 6, Issue 3 (May/Jun. 2005), p. 51.

(22) Filed: **Oct. 19, 2009**

(Continued)

Related U.S. Application Data

(63) Continuation of application No. 29/296,682, filed on Oct. 25, 2007, now Pat. No. Des. 602,649, which is a continuation of application No. 11/160,611, filed on Jun. 30, 2005, now Pat. No. 7,370,605, which is a continuation-in-part of application No. 09/920,231, filed on Aug. 1, 2001, now Pat. No. 6,920,841.

Primary Examiner—Susan Moon Lee

(74) *Attorney, Agent, or Firm*—Gardere Wynne Sewell, LLP

(57)

CLAIM

The ornamental design for an animal feeder, as shown and described.

(51) **LOC (9) Cl.** **30-03**

(52) **U.S. Cl.** **D30/133**

(58) **Field of Classification Search** D30/133, D30/121, 122, 124, 127, 128, 132; 119/51.01, 119/61, 51.04, 53, 57.91, 54, 53.5, 52.4, 119/51.11, 63, 61.2, 52.1, 57.5, 57.6, 51.13, 119/62, 75, 500, 501; 239/7, 687, 379, 397.5; 222/199, 181.1, 181.2, 185.1, 557, 156, 485, 222/486, 548, 555; 220/200, 227, 247, 262; 221/174, 185.1, 289, 295, 296, 559; 454/35; 209/270, 283, 244; 52/194, 192; 49/279, 49/344, 357; D34/28

See application file for complete search history.

(56) **References Cited**

U.S. PATENT DOCUMENTS

347,416 A 8/1886 Buckingham
411,140 A * 9/1889 Farrington et al. 242/611.2
423,712 A * 3/1890 Arnold 229/4.5

DESCRIPTION

FIG. 1 is a perspective view of an animal feeder according to my new design;

FIG. 2 is a front elevation view of the animal feeder shown in FIG. 1;

FIG. 3 is a rear elevation view of the animal feeder shown in FIG. 1;

FIG. 4 is a right side elevation view of the animal feeder shown in FIG. 1;

FIG. 5 is a left side elevation view of the animal feeder shown in FIG. 1;

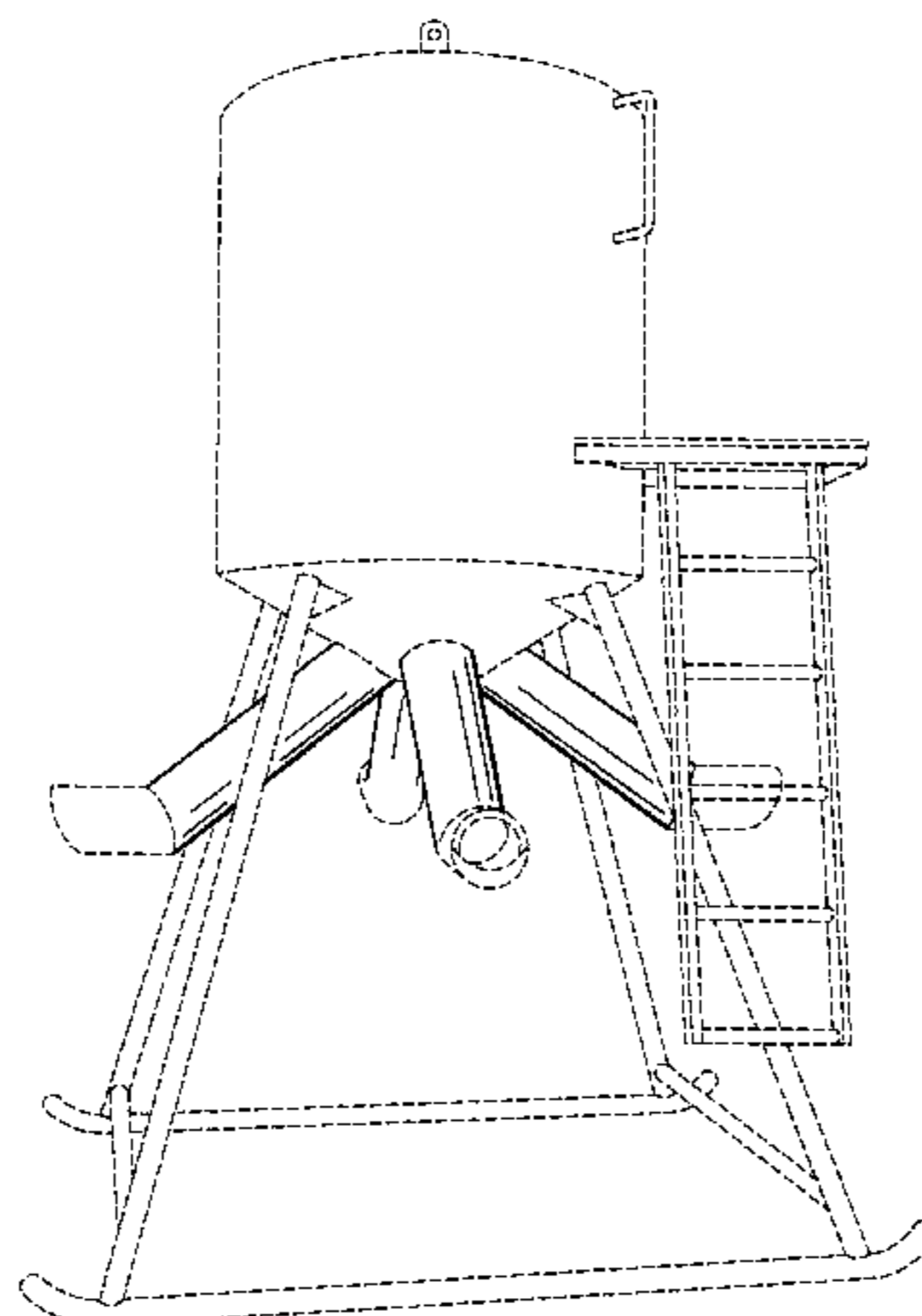
FIG. 6 is a top plan view of the animal feeder shown in FIG. 1; and,

FIG. 7 is a bottom plan view of the animal feeder shown in FIG. 1.

The broken lines are for illustrative purposes only and form no part of the claimed design.

(Continued)

1 Claim, 7 Drawing Sheets



US D629,572 S

Page 2

| U.S. PATENT DOCUMENTS | | | | | |
|-----------------------|---------|-----------------------------|---------------|---------|------------------------|
| 485,142 A | 10/1892 | Stephens | 4,337,728 A | 7/1982 | Van Gilst et al. |
| 587,803 A | 8/1897 | Ewer | 4,358,205 A | 11/1982 | Eakins |
| 1,214,881 A | 2/1917 | Bemtzen | 4,397,304 A | 8/1983 | Villain |
| 1,237,016 A | 8/1917 | Brown | D271,090 S | 10/1983 | Edgar et al. |
| 1,239,404 A | 9/1917 | Knoll, Jr. | D271,963 S | 12/1983 | Perkins |
| 1,309,671 A | 7/1919 | Weaver | D273,715 S * | 5/1984 | Sher D27/162 |
| 1,355,399 A * | 10/1920 | Kelley 119/57.91 | D275,228 S | 8/1984 | Nishigaki |
| 1,359,691 A | 11/1920 | Genuit | 4,508,303 A | 4/1985 | Beckerer, Jr. |
| 1,561,299 A | 11/1925 | Banks | D279,717 S | 7/1985 | Mau et al. |
| 1,563,816 A * | 12/1925 | Worthington 206/315.2 | 4,538,548 A | 9/1985 | Page |
| D77,948 S * | 3/1929 | Evans D3/309 | 4,542,930 A * | 9/1985 | Adams 294/160 |
| D92,312 S * | 5/1934 | Kanter D7/507 | 4,580,528 A | 4/1986 | Kendall |
| 2,136,956 A | 11/1938 | Schmitt | 4,601,414 A | 7/1986 | Lawson |
| D130,381 S | 11/1941 | Roth | 4,608,046 A | 8/1986 | Towfigh |
| 2,454,721 A | 11/1948 | Severance et al. | 4,621,737 A | 11/1986 | Casey |
| D152,655 S * | 2/1949 | Rossell D11/147 | H000176 H | 12/1986 | Johnstone, Jr. |
| 2,464,278 A * | 3/1949 | Wilson 229/5.7 | D288,608 S | 3/1987 | Dahlberg |
| D161,749 S | 1/1951 | Griner | 4,653,195 A | 3/1987 | Esparza |
| D163,955 S | 7/1951 | McCartney | 4,707,389 A * | 11/1987 | Ward 428/36.6 |
| 2,583,203 A | 1/1952 | Bergeron | 4,719,875 A | 1/1988 | Van Gilst |
| 2,619,252 A | 11/1952 | De Hoffmann | D295,091 S | 4/1988 | Swartzendruber |
| 2,638,871 A | 5/1953 | Ruedemann | 4,815,621 A | 3/1989 | Bartis |
| 2,654,346 A | 10/1953 | Goff | 4,859,423 A * | 8/1989 | Perlman 422/102 |
| D171,639 S * | 3/1954 | Clemens, Jr. D6/487 | D305,193 S | 12/1989 | Sajadieh |
| 2,756,032 A * | 7/1956 | Dowell 165/121 | D305,804 S | 1/1990 | Browning et al. |
| 2,760,807 A * | 8/1956 | Watson 294/19.2 | 4,956,821 A | 9/1990 | Fenelon |
| 2,761,597 A | 9/1956 | Stukey | 4,971,366 A | 11/1990 | Towsley |
| 2,808,029 A | 10/1957 | Geerling | 4,986,220 A | 1/1991 | Reneau et al. |
| 2,881,947 A * | 4/1959 | Hancock 221/34 | 4,997,284 A | 3/1991 | Tousignant et al. |
| 2,886,002 A | 5/1959 | O'Malley et al. | D319,759 S * | 9/1991 | Bookout D8/21 |
| D187,929 S * | 5/1960 | Rensch D6/461 | D319,794 S | 9/1991 | Elkins |
| 2,988,047 A | 6/1961 | Hurdle | 5,061,180 A | 10/1991 | Wiele |
| 3,007,618 A * | 11/1961 | Davis et al. 224/411 | 5,069,164 A | 12/1991 | Wiwi |
| 3,034,480 A | 5/1962 | French | 5,086,730 A | 2/1992 | Figley |
| D194,594 S | 2/1963 | Juculano | 5,090,743 A | 2/1992 | Obering |
| 3,104,778 A | 9/1963 | Leonard | D326,741 S | 6/1992 | Powers |
| 3,128,560 A | 4/1964 | McKenzie | 5,130,496 A | 7/1992 | Jenkins |
| 3,131,511 A | 5/1964 | Deaner | 5,143,289 A | 9/1992 | Gresham et al. |
| 3,318,473 A | 5/1967 | Jones et al. | 5,183,298 A | 2/1993 | Harrington |
| 3,386,756 A | 6/1968 | Primm | D333,841 S | 3/1993 | Henricksen |
| 3,487,433 A | 12/1969 | Fleming | 5,195,459 A | 3/1993 | Ancketill |
| 3,515,098 A | 6/1970 | Thurmond | D336,554 S | 6/1993 | Reeder |
| 3,613,641 A | 10/1971 | Geerlings | 5,218,784 A | 6/1993 | Pollock |
| 3,636,983 A | 1/1972 | Keyser | D340,516 S * | 10/1993 | Too D23/411 |
| 3,655,011 A | 4/1972 | Willett | 5,273,454 A | 12/1993 | Shotey |
| 3,658,211 A | 4/1972 | Kitchens | 5,275,131 A | 1/1994 | Brake et al. |
| D226,507 S | 3/1973 | Wright | 5,333,572 A | 8/1994 | Nutt |
| 3,720,235 A | 3/1973 | Schrock | 5,339,996 A | 8/1994 | Dubbert et al. |
| 3,730,142 A | 5/1973 | Kahrs et al. | 5,372,093 A | 12/1994 | Pooshs |
| 3,780,701 A | 12/1973 | Wentworth, Sr. | 5,405,047 A | 4/1995 | Hansen |
| D232,552 S * | 8/1974 | Watson D23/263 | 5,410,986 A * | 5/1995 | Washam 119/52.2 |
| 3,856,315 A | 12/1974 | Stansbury | 5,435,267 A | 7/1995 | Patterson |
| 3,873,391 A | 3/1975 | Plauka et al. | 5,450,677 A | 9/1995 | Casey |
| D237,001 S | 9/1975 | Von Serda | 5,464,257 A | 11/1995 | Riddles et al. |
| 3,902,460 A | 9/1975 | Franklin | D367,093 S | 2/1996 | Weir |
| 3,977,045 A | 8/1976 | Saurenman | 5,503,090 A * | 4/1996 | Guzan 111/7.2 |
| D242,933 S | 1/1977 | Brubaker et al. | D371,228 S | 6/1996 | Monin |
| D243,559 S * | 3/1977 | Hoyle et al. D28/38 | 5,533,646 A | 7/1996 | Dildine |
| D244,857 S | 6/1977 | Hayes | 5,544,764 A | 8/1996 | Cima |
| D245,048 S * | 7/1977 | Pool D6/455 | D373,659 S * | 9/1996 | Miller D30/121 |
| D245,368 S | 8/1977 | Mueller | D375,159 S | 10/1996 | Johansson |
| D246,603 S * | 12/1977 | Frost D27/163 | 5,570,547 A | 11/1996 | Webb et al. |
| 4,163,474 A | 8/1979 | MacDonald et al. | D382,748 S * | 8/1997 | Riskey D6/516 |
| D256,623 S * | 8/1980 | Lockwood D27/164 | 5,655,671 A | 8/1997 | Barry et al. |
| D258,012 S * | 1/1981 | Murphy D27/162 | 5,662,630 A | 9/1997 | Raynie |
| D258,013 S * | 1/1981 | Murphy D27/162 | 5,666,260 A | 9/1997 | Pasmanik et al. |
| 4,256,054 A | 3/1981 | Hitchcock | D386,137 S * | 11/1997 | Bailey D12/194 |
| 4,291,809 A | 9/1981 | Lyon | 5,699,753 A | 12/1997 | Aldridge, III |
| D262,144 S * | 12/1981 | Sher D27/162 | 5,730,302 A * | 3/1998 | Groene 211/70.6 |
| D262,408 S * | 12/1981 | Whaling D27/165 | 5,740,757 A | 4/1998 | Smeester |
| 4,328,880 A | 5/1982 | Lapeyre | D394,178 S * | 5/1998 | Gremchuck D6/524 |
| | | | 5,753,158 A | 5/1998 | Orsing |
| | | | D397,527 S | 8/1998 | Bruder et al. |

5,794,561 A 8/1998 Schulz
D401,016 S 11/1998 Holliday
5,862,777 A 1/1999 Sweeney
5,876,282 A 3/1999 Kenny
5,901,497 A 5/1999 Bulvin
5,901,886 A 5/1999 Grindstaff et al.
5,906,174 A 5/1999 Muldoon
5,934,222 A * 8/1999 Hwang 119/72
5,979,717 A 11/1999 Dalton et al.
D417,614 S * 12/1999 Chu D9/711
D420,316 S 2/2000 Hanlon
D421,650 S * 3/2000 Liao D23/382
D421,821 S * 3/2000 Kinjerski D30/121
D423,436 S 4/2000 Larson
D426,734 S 6/2000 Fuchs
6,073,587 A 6/2000 Hill et al.
6,082,300 A 7/2000 Futch
6,142,100 A 11/2000 Marchioro
D436,861 S * 1/2001 Sagel et al. D9/428
6,199,509 B1 3/2001 Mostyn et al.
D445,062 S 7/2001 Wong
D445,170 S 7/2001 Speicher
6,283,159 B1 9/2001 Tada
D450,456 S 11/2001 Warren, III
6,328,184 B1 12/2001 Krol
6,329,602 B1 * 12/2001 Ushiyama et al. 174/137 R
6,364,125 B1 4/2002 D'Angelo
D458,201 S 6/2002 Warren
D460,726 S 7/2002 Campbell et al.
6,435,134 B1 * 8/2002 Ho 119/72
6,439,158 B1 8/2002 Blohm
D464,875 S 10/2002 Koppang
D466,809 S * 12/2002 Sagel D9/428
6,488,511 B1 * 12/2002 Stewart 439/32
6,510,813 B1 1/2003 Boone, Jr.
D469,926 S 2/2003 Petrucci
D476,451 S 6/2003 Morgan, Sr.
6,591,990 B2 7/2003 Lanman et al.
6,622,653 B1 9/2003 Starnes, Jr.
6,637,595 B1 * 10/2003 Frossard et al. 206/443
D486,946 S 2/2004 Castro
D487,170 S * 2/2004 Petrucci D28/73
6,691,640 B1 2/2004 Huckabee
D488,889 S 4/2004 Walsh
D490,352 S 5/2004 Ward
6,763,781 B1 7/2004 Norrell
D494,384 S * 8/2004 Chandaria D6/468
D495,186 S 8/2004 Poupel et al.
6,786,180 B1 * 9/2004 Cheng 119/72.5
D504,309 S * 4/2005 Fuchs D8/367
6,904,690 B2 * 6/2005 Bakke et al. 33/501.45
6,920,841 B2 7/2005 Meritt
6,959,664 B1 11/2005 Keuter et al.
D520,423 S 5/2006 Poole
7,059,355 B2 6/2006 Otani et al.
D525,657 S 7/2006 Warren, III
D528,488 S 9/2006 Webb
7,143,721 B2 * 12/2006 Robbins 119/174
D534,469 S 1/2007 Murkett
7,165,796 B1 * 1/2007 Hung 294/19.2
D540,231 S 4/2007 Braun et al.
7,204,201 B2 4/2007 Leombruno
D541,718 S * 5/2007 Emler D12/194
D542,533 S * 5/2007 Yang D3/313
D543,666 S 5/2007 Ross et al.
7,214,028 B2 5/2007 Boasso et al.
D545,742 S 7/2007 Kinoshita
D548,589 S 8/2007 Blasko et al.
D548,890 S 8/2007 Chen
D549,313 S 8/2007 Kelnhofer
D551,965 S 10/2007 Blasko et al.
D558,111 S 12/2007 Banks, III
7,302,912 B2 * 12/2007 Boyer 119/57.91

7,311,223 B2 12/2007 Post
D559,470 S 1/2008 Stevens et al.
D562,557 S 2/2008 Lewis
7,370,605 B2 5/2008 Meritt
D574,309 S 8/2008 Unfried et al.
D574,932 S * 8/2008 Zhuang D23/266
D575,556 S 8/2008 Rohkar, Jr.
D575,908 S 8/2008 Meritt
7,475,796 B2 1/2009 Garton
D587,366 S 2/2009 Turkat
D588,166 S 3/2009 Lyons, III
D598,354 S 8/2009 Nakazawa et al.
D598,602 S 8/2009 Laarman
D599,503 S 9/2009 Meritt
D602,647 S 10/2009 Polstein et al.
D603,104 S 10/2009 Meritt
D603,105 S 10/2009 Meritt
D603,566 S 11/2009 Meritt
D604,017 S 11/2009 Meritt
2002/0134850 A1 * 9/2002 Hollenberg 239/33
2005/0224126 A1 10/2005 Otani et al.
2005/0229860 A1 * 10/2005 Meritt 119/53
2005/0269367 A1 12/2005 Post
2006/0048712 A1 * 3/2006 Boyer 119/57.91
2006/0060148 A1 3/2006 Boyer
2006/0283396 A1 12/2006 Hernandez
2007/0028844 A1 2/2007 Bodenstab et al.
2008/0178815 A1 7/2008 Meritt
2008/0178816 A1 7/2008 Meritt

FOREIGN PATENT DOCUMENTS

GB 2193782 A 2/1988

OTHER PUBLICATIONS

Advertisement (Mumme's Inc.) (1 page), The Journal of the Texas Trophy Hunters Association, Jan./Feb. 2005, on reverse side of p. 74.
Advertisement (Sweeney Automated Feeding Systems) (2 pages, front and back) (date referenced Jan. 1-Feb. 28, 2005).
Internet web site (Atascosa Wildlife Supply) (2 pages); <http://www.atascosawildlifesupply.com/feeders.html> (Mar. 8, 2005).
Advertisement (Atascosa Wildlife Supply) (2 pages); The Journal of the Texas Trophy Hunters Association, May/Jun. 2005 (reverse sides of pp. 23 and 26).
Advertisement (Texas Wildlife Supply) (1 page), The Journal of the Texas Trophy Hunters Association, May/Jun. 2005 (reverse side of p. 174).
Internet web site (American Hunter Outdoor Products) (15 pages); <http://www.americanhunterfeeders.com> (Feb. 24, 2005).
Internet web site (Mumme's Inc.) (1 page); <http://www.mummesinc.com> (Feb. 24, 2005).
Internet web site (Boss Game Systems) (3 pages); <http://www.bossgamesystems.com> (Oct. 6, 2005).
Advertisement (American Hunter Outdoor Products) (1 page), The Journal of the Texas Trophy Hunters Association, May/Jun. 2005, on reverse side of p. 155.
"Introduction to Welding," Materials Engineering Group.; Copyright 1997 Materials Engineering (UK) Ltd.; <http://www.meg.co.uk/meg/app01.htm>.
"Welding," Microsoft Encarta Online Encyclopedia 2002; <http://encarta.msn.com> (1997-2002) Microsoft Corporation.
"Fair Special, 2000# Capacity Gravity Flow Protein Feeder," and Photo, Sycamore Springs Ranch, Approximately Oct. 2005.
Advertisement (Rick Meritt; Outback Wildlife Feeders); The Journal of the Texas Trophy Hunters, Sep./Oct. 2007, vol. 32, No. 5 (3pp).
Advertisement (Rick Meritt; Outback Wildlife Feeders); The Journal of the Texas Trophy Hunters, Jul./Aug. 2006, vol. 31, No. 4 (3pp).
Advertisement (Rick Meritt; Outback Wildlife Feeders); The Journal of the Texas Trophy Hunters, Sep./Oct. 2005, vol. 30, No. 5 (3pp).
Advertisement (Rick Meritt; Outback Wildlife Feeders); The Journal of the Texas Trophy Hunters, Sep./Oct. 2001, vol. 26, No. 5 (2pp).

US D629,572 S

Page 4

Advertisement (Rick Meritt; Outback Wildlife Feeders); The Journal of the Texas Trophy Hunters, Sep./Oct. 2002, vol. 27, No. 5 (2pp).
Advertisement (Rick Meritt; Outback Wildlife Feeders); The Journal of the Texas Trophy Hunters, Sep./Oct. 2003, vol. 28, No. 5 (2pp).

Advertisement (Rick Meritt; Outback Wildlife Feeders); The Journal of the Texas Trophy Hunters, Sep./Oct. 2004, vol. 29, No. 5 (2pp).

* cited by examiner

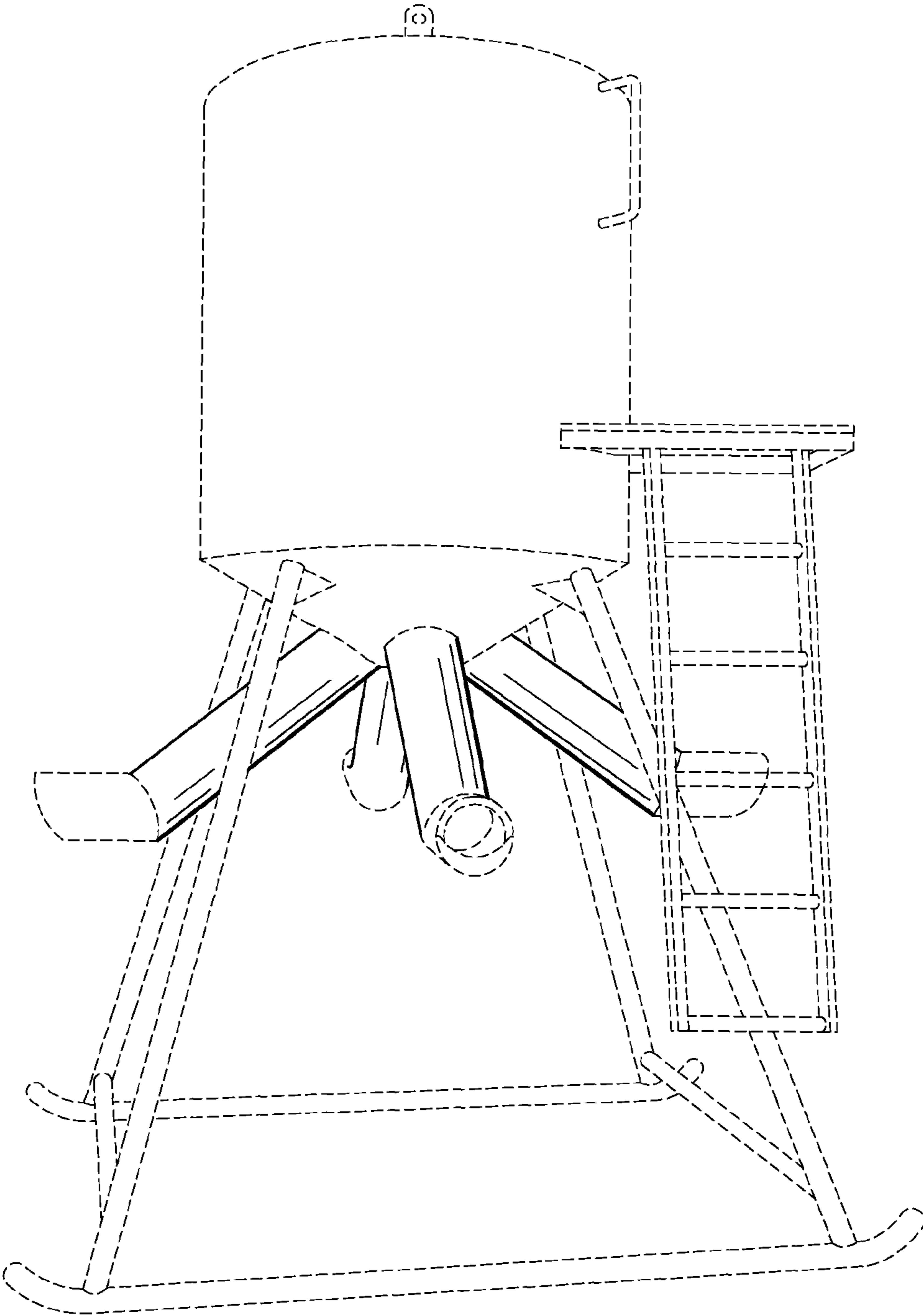


FIG. 1

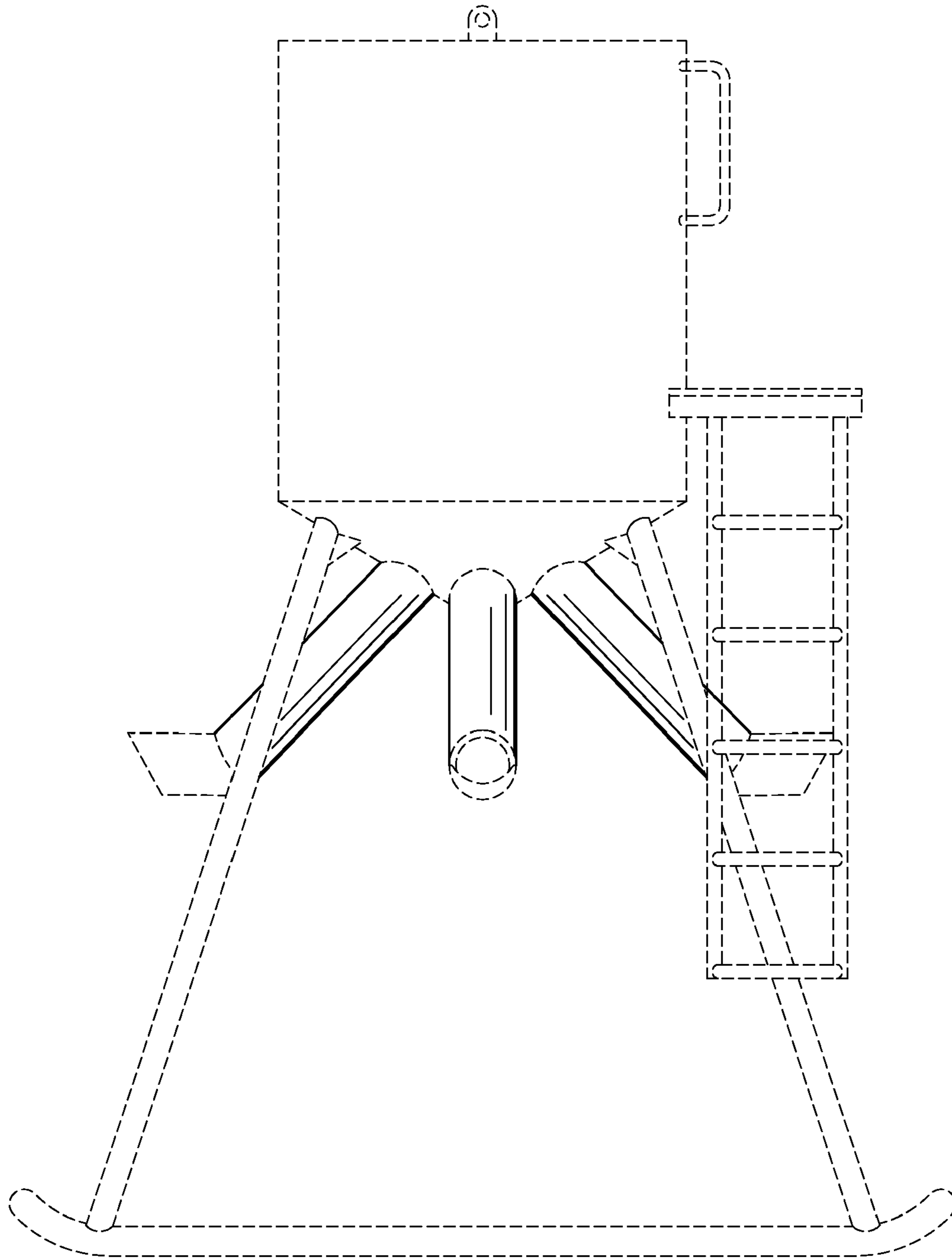


FIG. 2

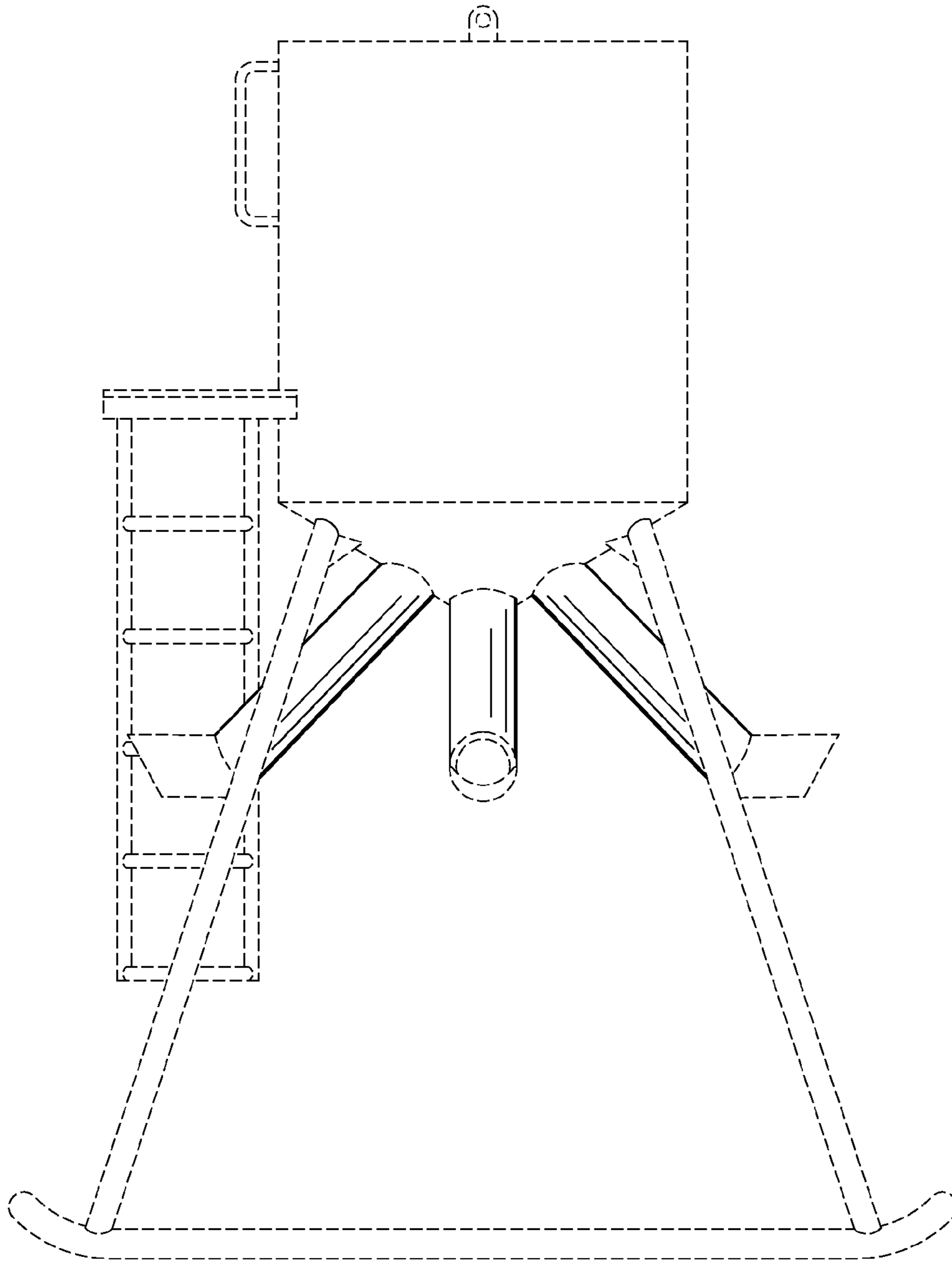


FIG. 3

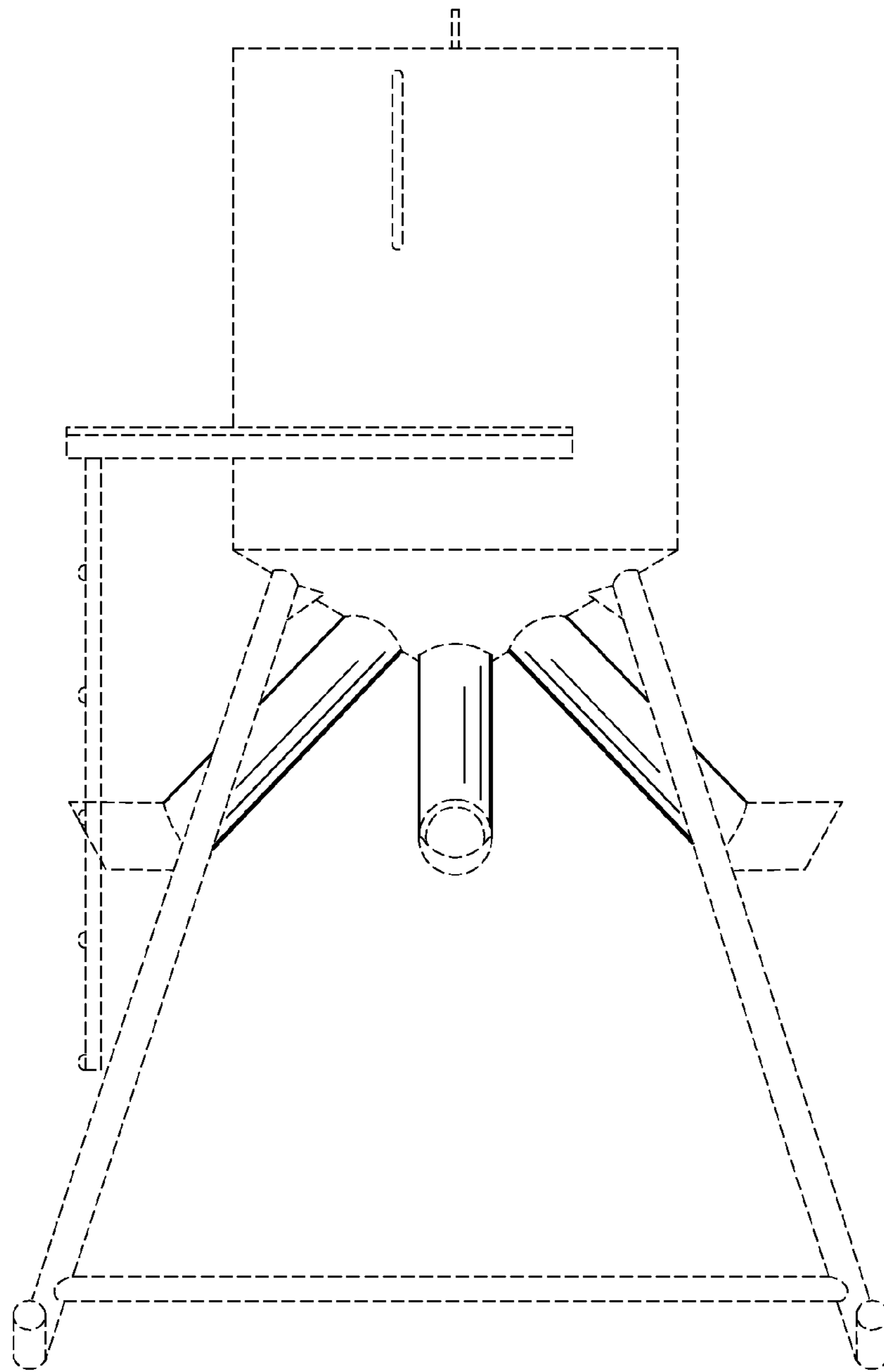


FIG. 4

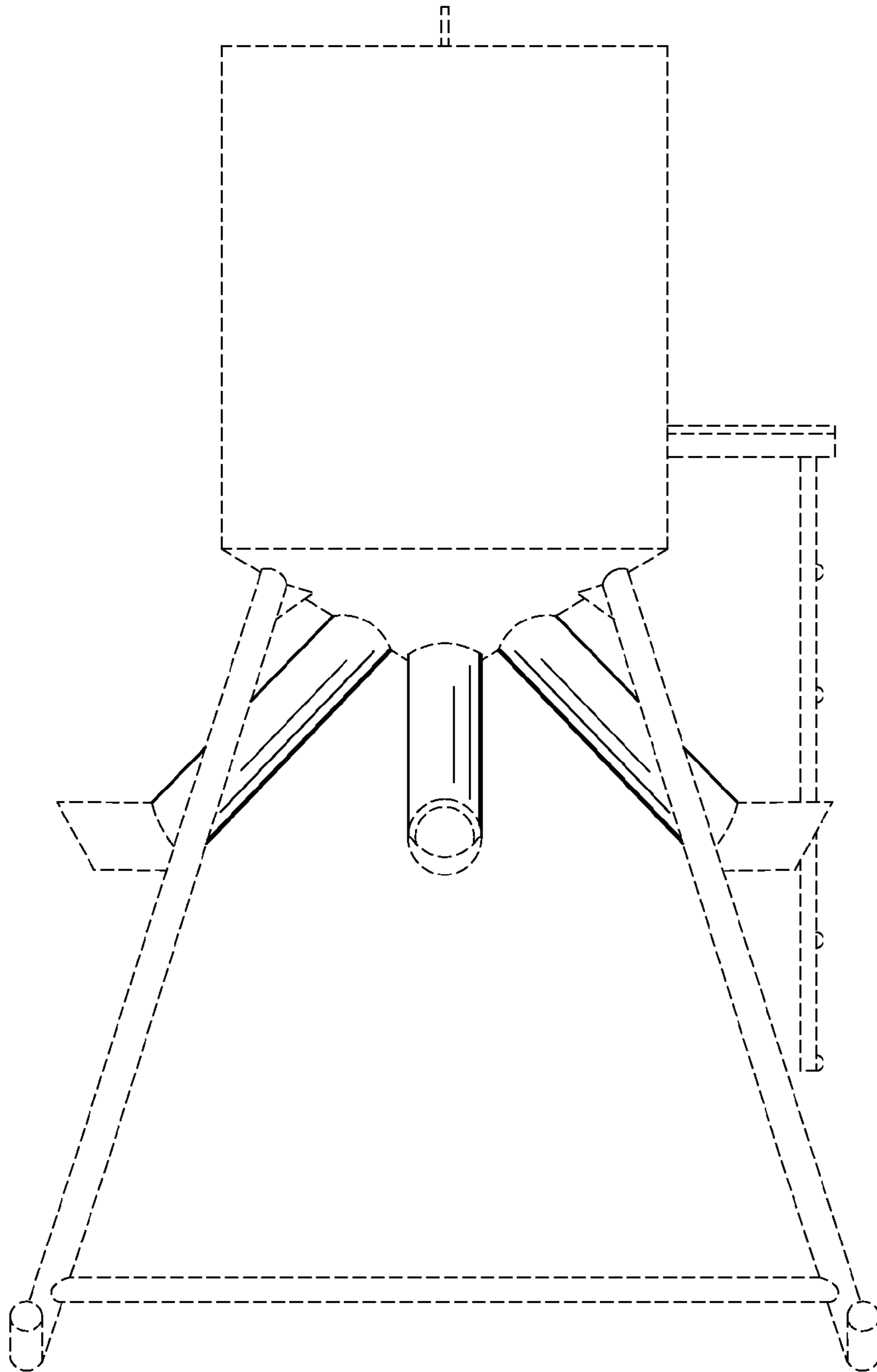


FIG. 5

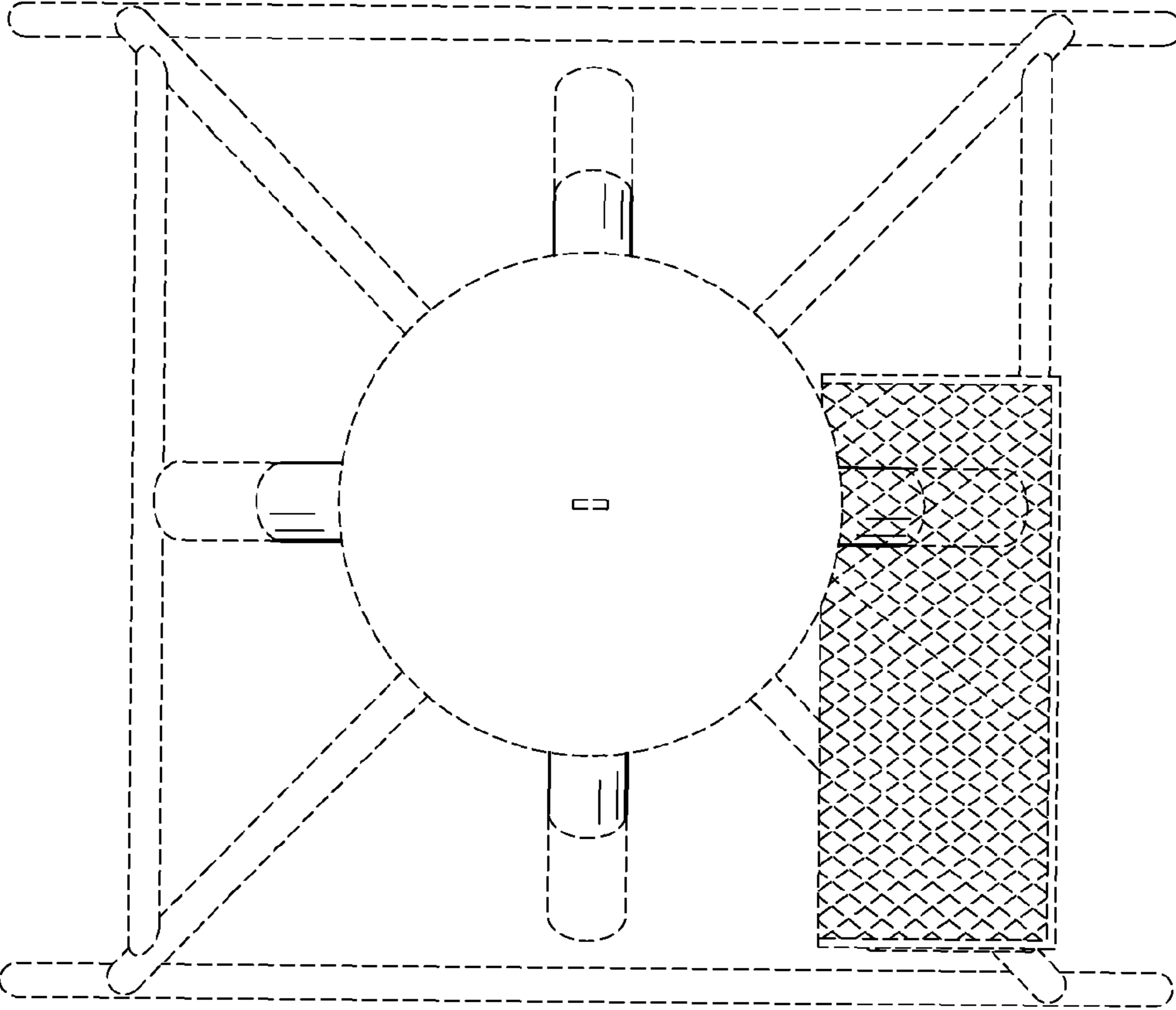


FIG. 6

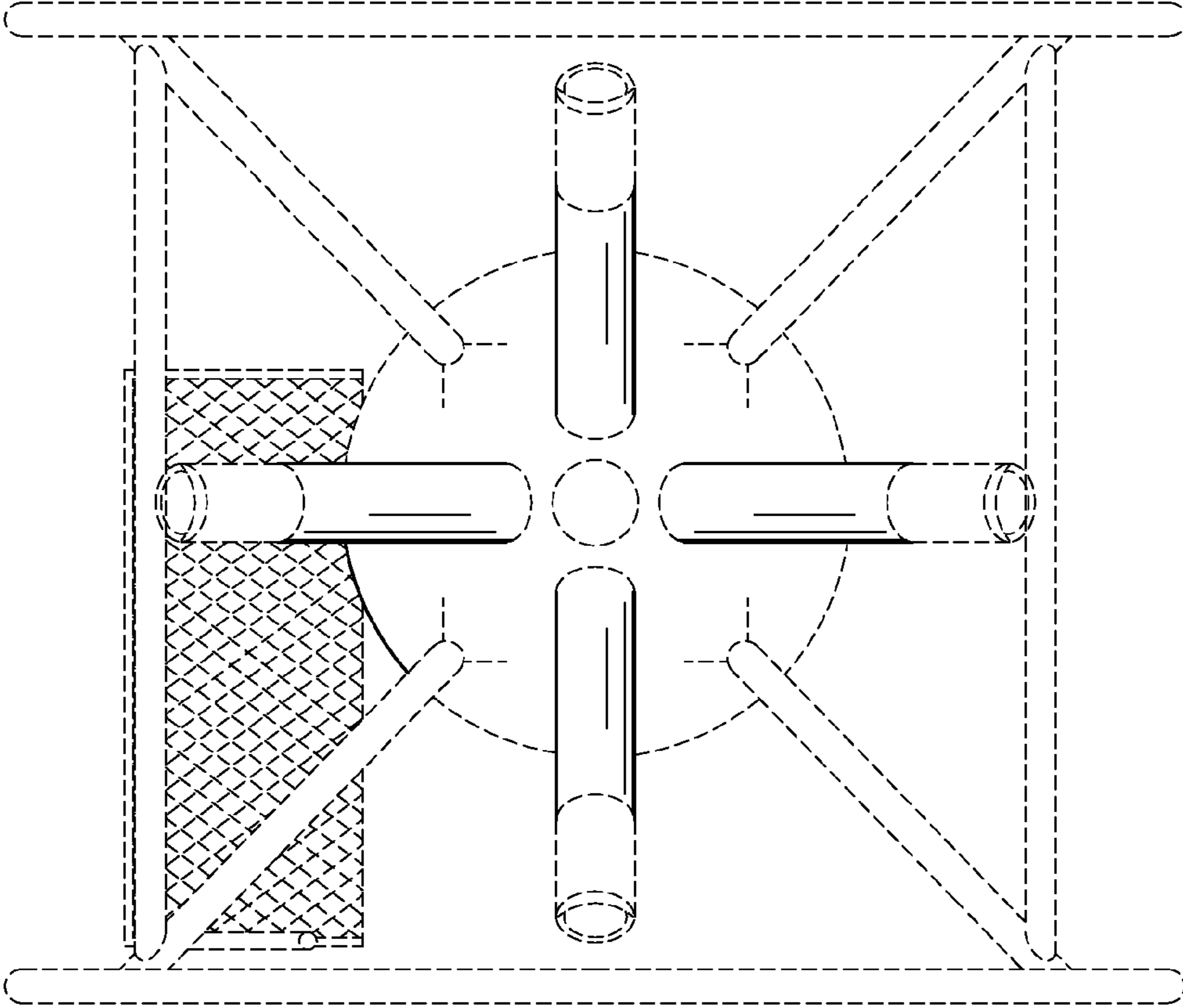


FIG. 7