



US00D629571S

(12) **United States Design Patent**  
**Gryner, Jr. et al.**

(10) **Patent No.:** **US D629,571 S**

(45) **Date of Patent:** **\*\* Dec. 21, 2010**

(54) **LINER**

(76) Inventors: **Billy E. Gryner, Jr.**, 129 S. Echo Dr.,  
Batesville, AR (US) 72501; **Deborah S.  
Gryner**, 129 S. Echo Dr., Batesville, AR  
(US) 72501

(\*\*) Term: **14 Years**

(21) Appl. No.: **29/316,889**

(22) Filed: **Nov. 12, 2009**

(51) **LOC (9) Cl.** ..... **30-02**

(52) **U.S. Cl.** ..... **D30/119; D6/390**

(58) **Field of Classification Search** ..... D30/108–113,  
D30/118–119, 161; 119/452–153, 472, 474,  
119/482, 496–498, 500–501, 28.5, 161, 165–170;  
D6/390; 5/655

See application file for complete search history.

(56) **References Cited**

**U.S. PATENT DOCUMENTS**

- 1,976,234 A \* 10/1934 Larson ..... 119/482
- 2,460,662 A \* 2/1949 Van Voorhis ..... 119/482
- D214,302 S \* 6/1969 Barber ..... D30/118
- D309,200 S \* 7/1990 McMahon ..... D30/118
- D342,855 S \* 1/1994 Butler, II ..... 5/655
- D351,687 S \* 10/1994 McMahon ..... D30/118
- 5,685,257 A 11/1997 Feibus
- 5,832,874 A \* 11/1998 Ravin ..... 119/496
- 6,021,740 A 2/2000 Martz
- D461,966 S \* 8/2002 Reece ..... D30/118

- 6,668,394 B2 \* 12/2003 Walpin ..... 119/28.5
- 6,684,816 B2 2/2004 Lippincott
- 7,231,888 B1 6/2007 Kelly et al.
- D548,480 S \* 8/2007 Chruickshank ..... D6/390
- D553,805 S \* 10/2007 Martin et al. .... D30/118
- RE40,754 E \* 6/2009 Morton ..... 5/655
- 2002/0185072 A1 \* 12/2002 Walpin ..... 119/28.5
- 2008/0245311 A1 \* 10/2008 Kline ..... 119/496
- 2009/0178622 A1 \* 7/2009 Havluciyen ..... 119/161

\* cited by examiner

*Primary Examiner*—Cathy Anne MacCormac

(74) *Attorney, Agent, or Firm*—Paul R. Martin

(57) **CLAIM**

The ornamental design for a liner, as shown and described.

**DESCRIPTION**

FIG. 1 is a perspective view of the liner of the invention.

FIG. 2 is a plan view from the top of the liner shown in FIG. 1.

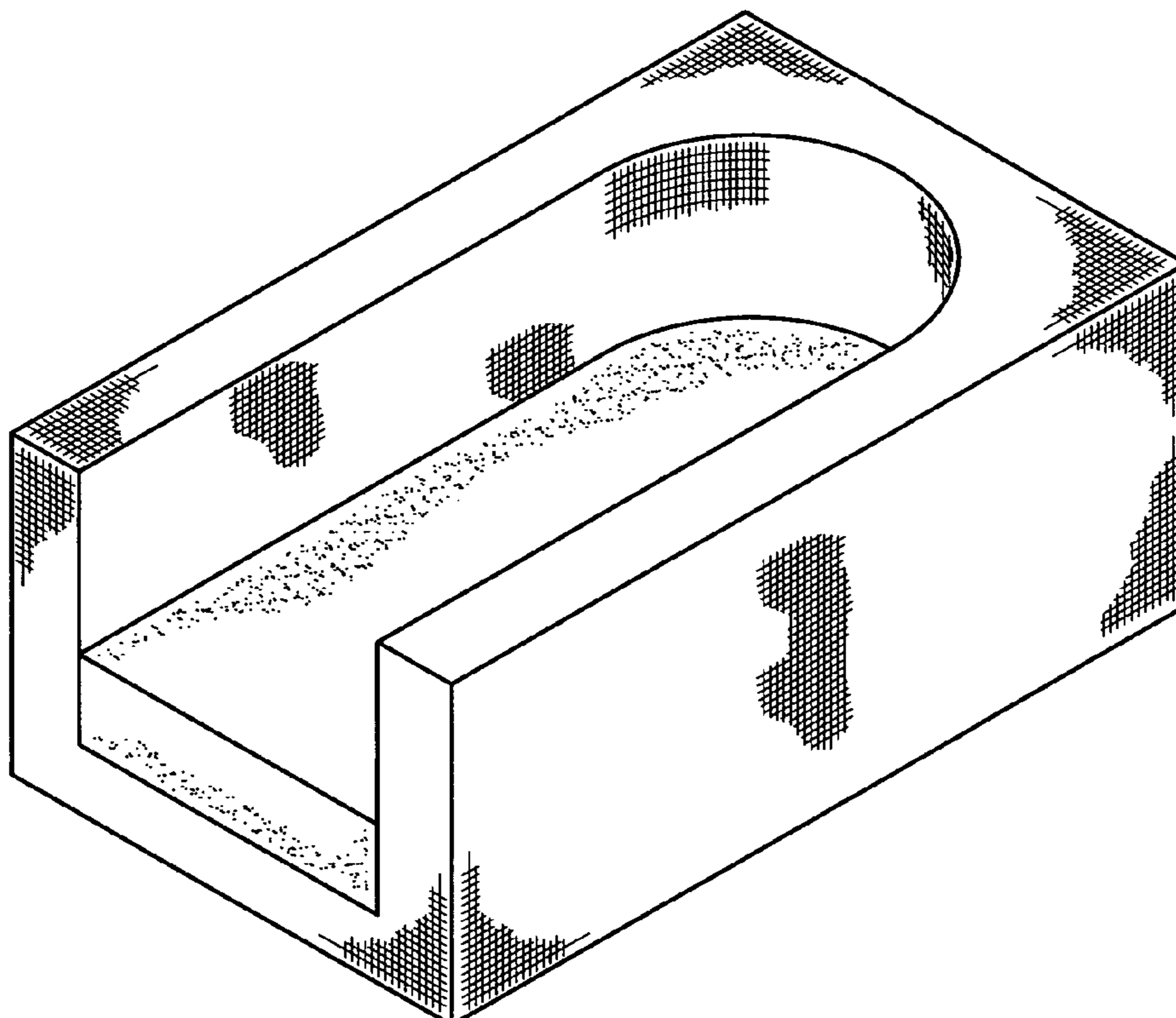
FIG. 3 is a plan view from the bottom of the liner shown in FIG. 1.

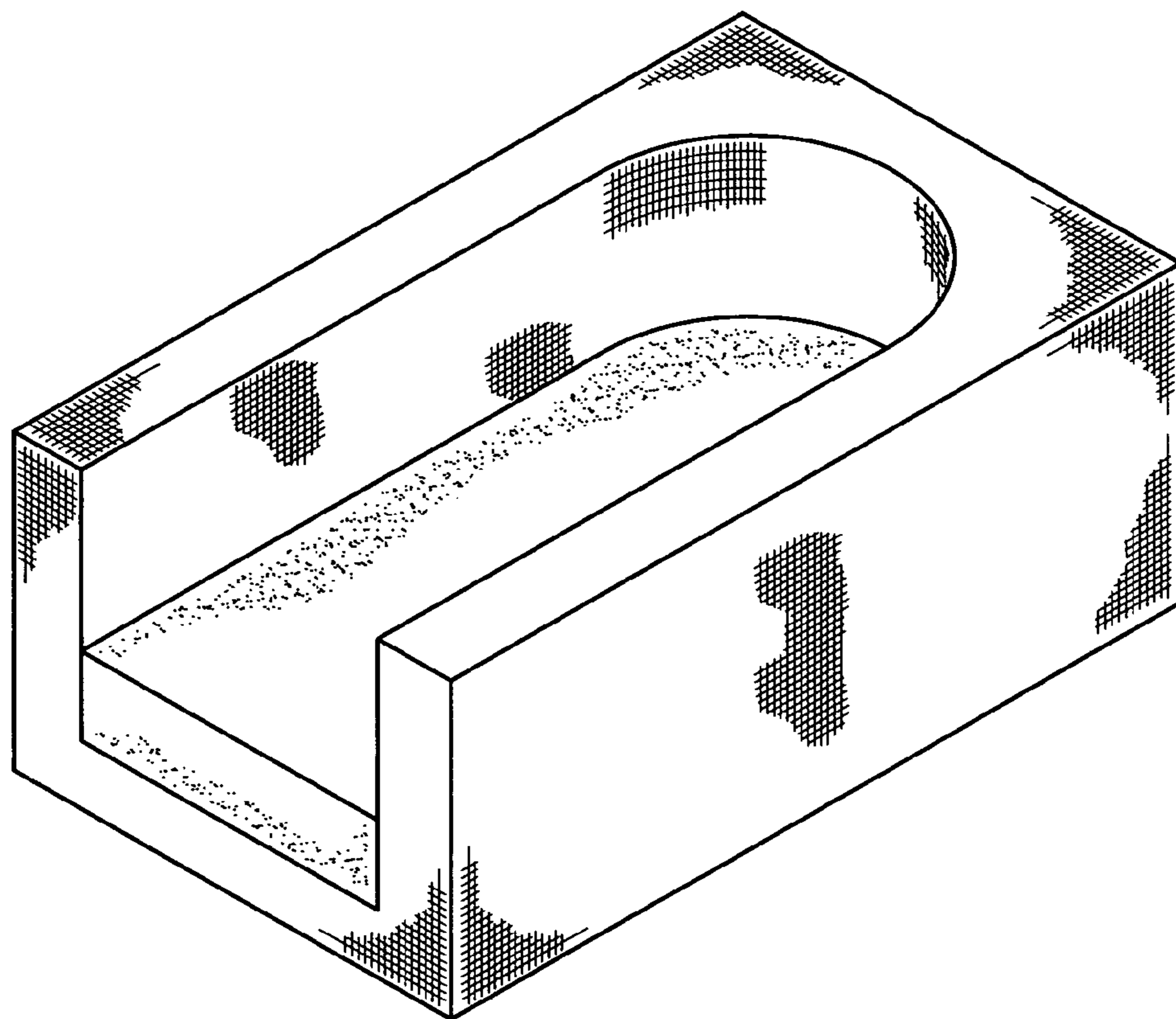
FIG. 4 is an elevational view of the front of the liner shown in FIG. 1.

FIG. 5 is an elevational view of the rear of the liner shown in FIG. 1; and,

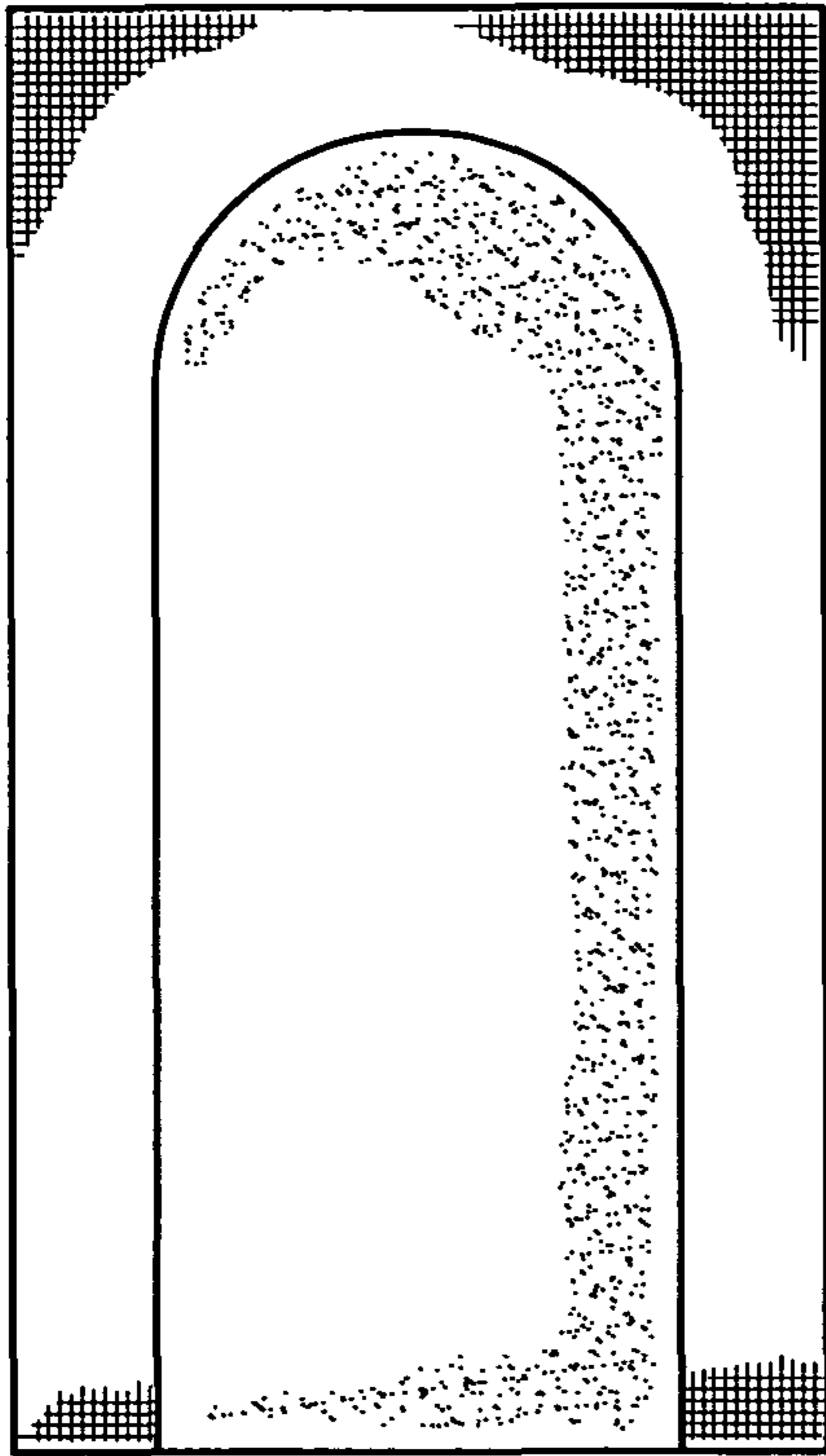
FIG. 6 is an elevational view of the side of the liner shown in FIG. 1, the opposite side is identical.

**1 Claim, 2 Drawing Sheets**

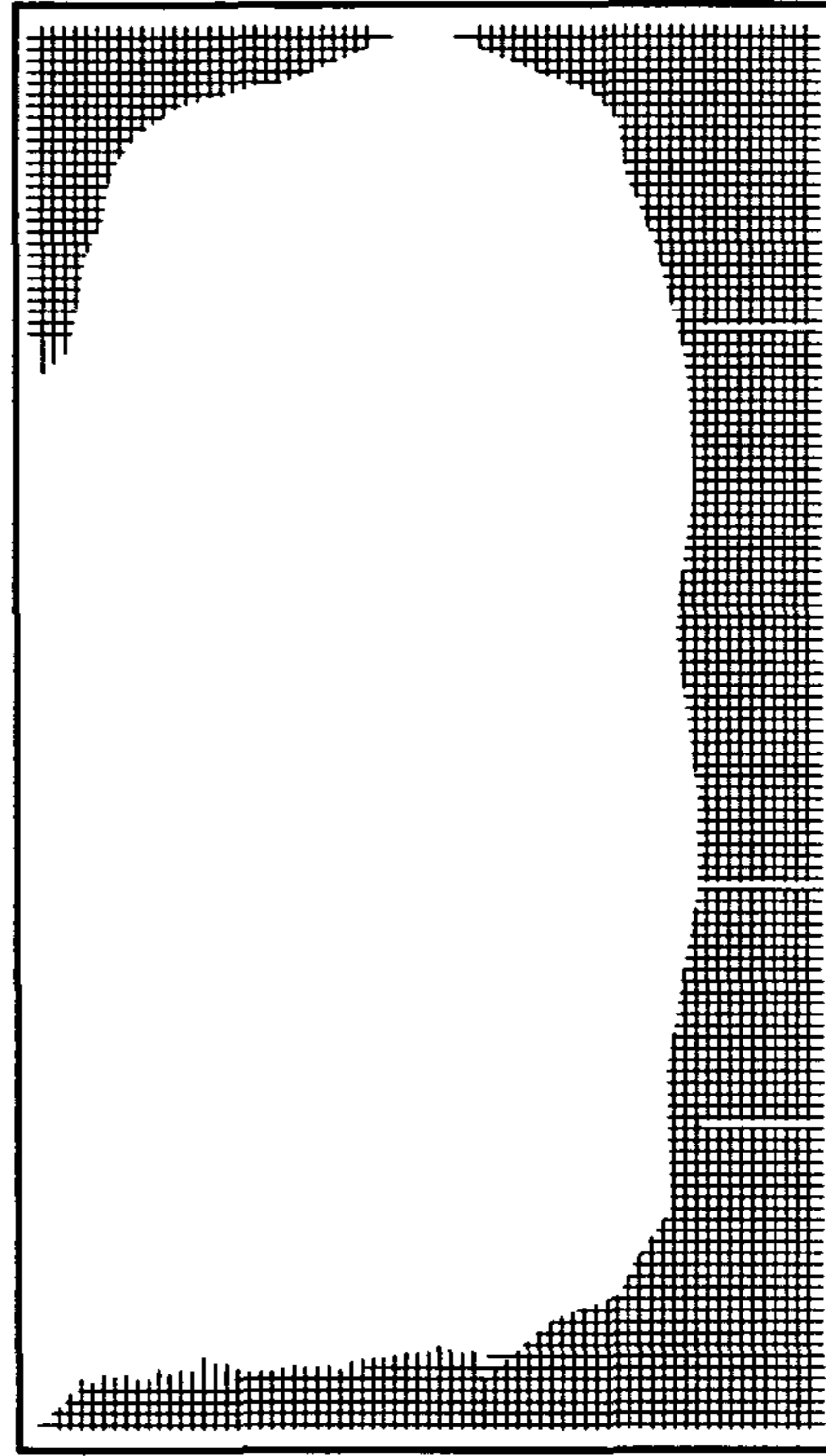




*FIG. 1*



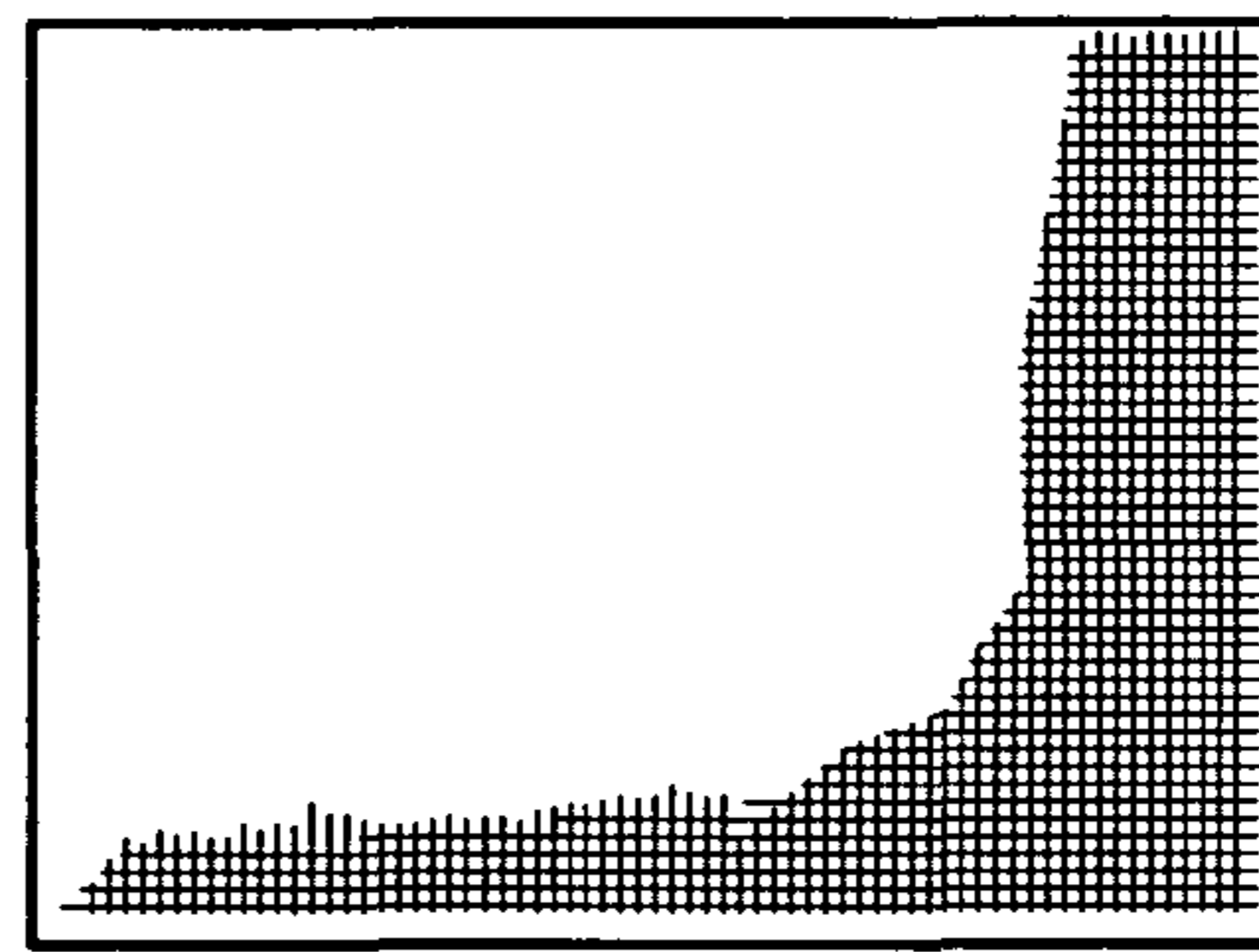
*FIG. 2*



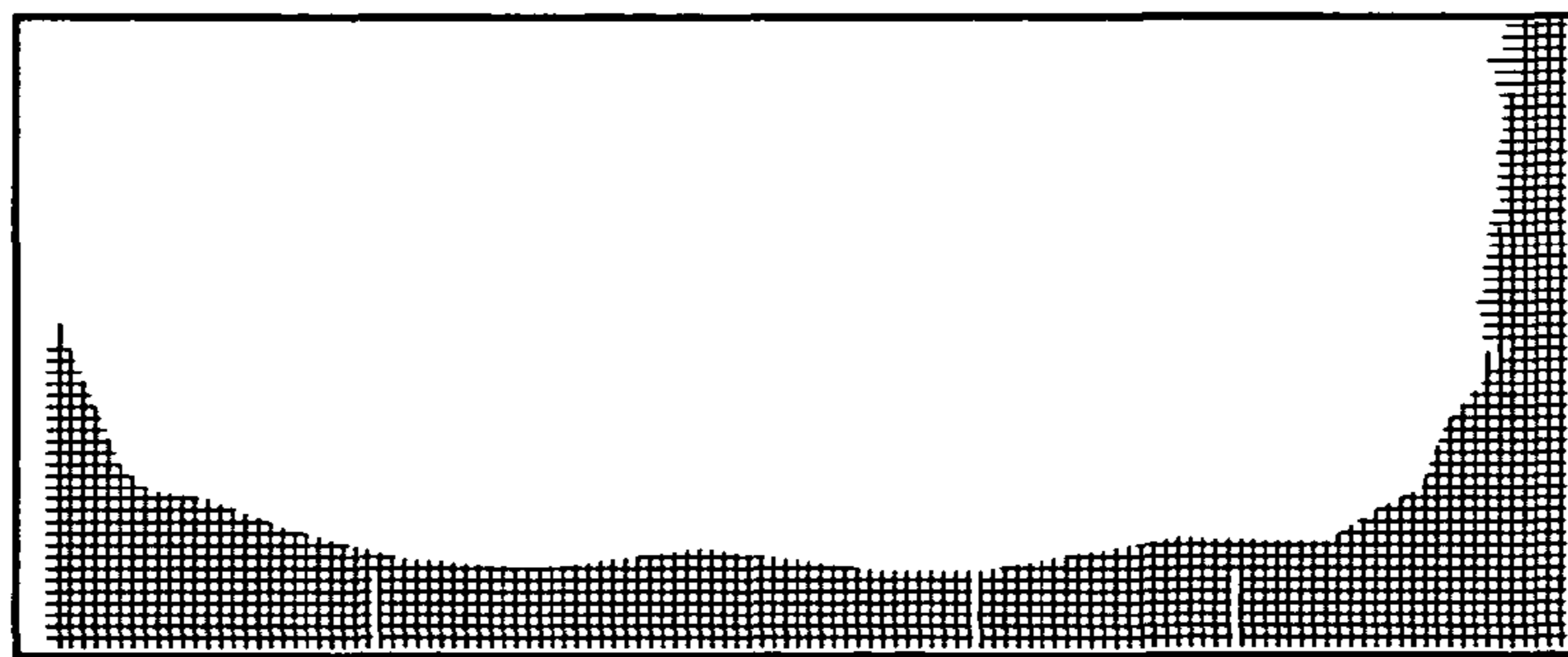
*FIG. 3*



*FIG. 4*



*FIG. 5*



*FIG. 6*