



US00D629564S

(12) **United States Design Patent**
Jung

(10) **Patent No.:** **US D629,564 S**

(45) **Date of Patent:** **** Dec. 21, 2010**

(54) **RAZOR CARTRIDGE**

(75) Inventor: **Hyo Kyun Jung**, Siheung-si (KR)

(73) Assignee: **Dorco Co., Ltd.**, Seoul (KR)

(**) Term: **14 Years**

(21) Appl. No.: **29/361,114**

(22) Filed: **May 5, 2010**

(30) **Foreign Application Priority Data**

Nov. 30, 2009 (KR) 30-2009-0052569

(51) **LOC (9) Cl.** **28-03**

(52) **U.S. Cl.** **D28/47**

(58) **Field of Classification Search** D28/44-54;
30/32, 32.05, 34.1-34.2, 41, 44-46, 47-51,
30/57-58, 77-84, 526-539

See application file for complete search history.

(56) **References Cited**

U.S. PATENT DOCUMENTS

6,185,822 B1 * 2/2001 Tseng et al. 30/41
D526,089 S * 8/2006 Fischer et al. D28/47
D588,744 S * 3/2009 Fischer et al. D28/47

D617,946 S * 6/2010 Lukan et al. D28/47
D617,947 S * 6/2010 Lukan et al. D28/47
D617,949 S * 6/2010 Lukan et al. D28/47

* cited by examiner

Primary Examiner—Jennifer Rivard

(74) *Attorney, Agent, or Firm*—Fenwick & West LLP

(57) **CLAIM**

The ornamental design for a razor cartridge, as shown and described.

DESCRIPTION

FIG. 1 is a perspective view of the razor cartridge showing the new design;

FIG. 2 is a front view thereof;

FIG. 3 is a rear view thereof;

FIG. 4 is a left side view thereof;

FIG. 5 is a right side view thereof;

FIG. 6 is a top plan view thereof;

FIG. 7 is a bottom plan view thereof; and,

FIG. 8 is another perspective view thereof.

1 Claim, 3 Drawing Sheets

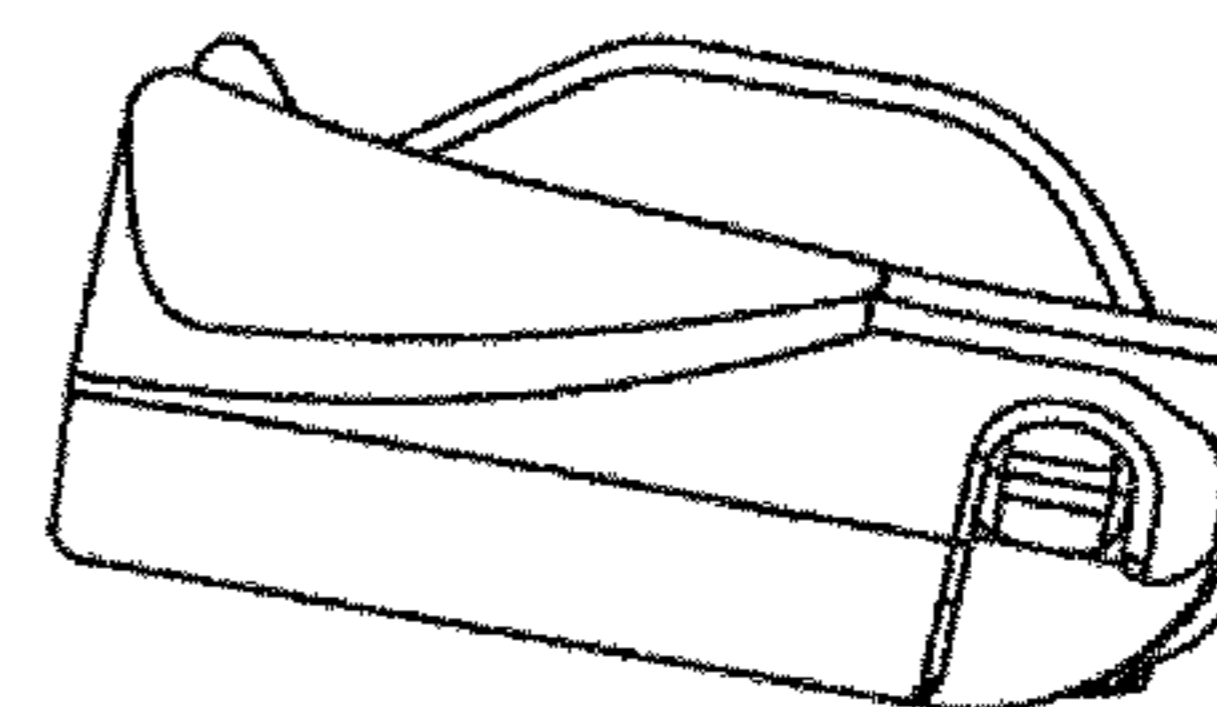
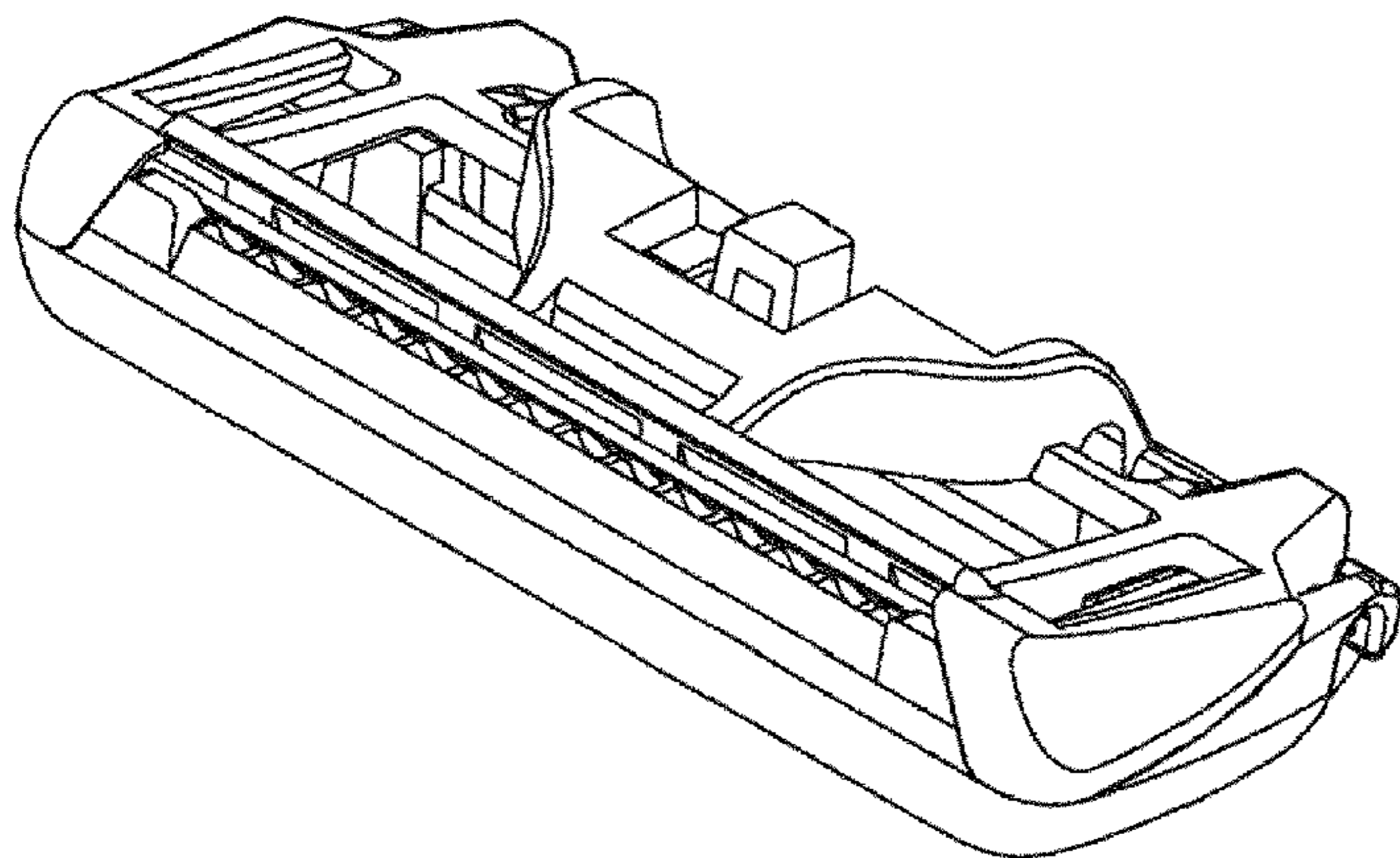


Fig.1

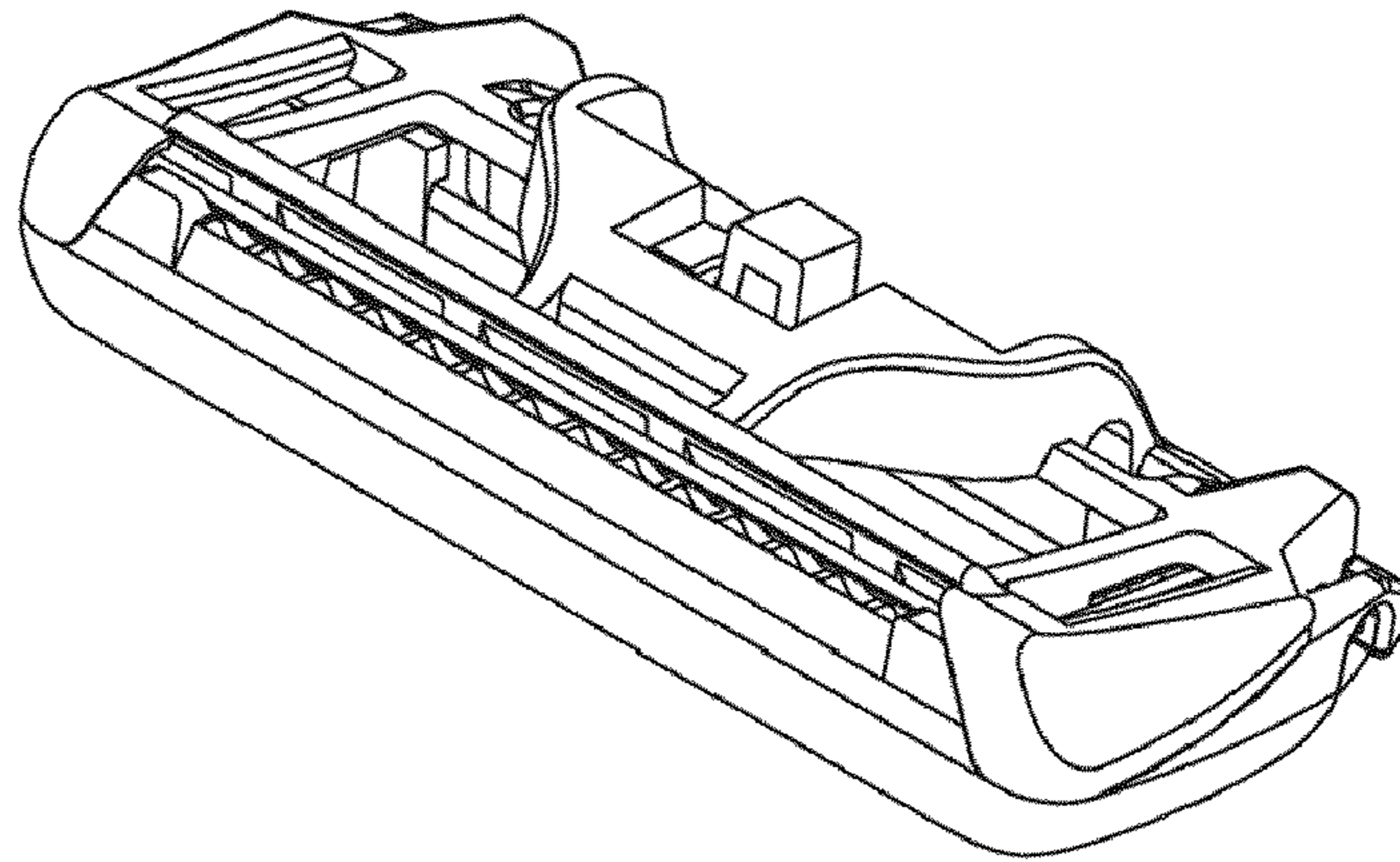


Fig.2

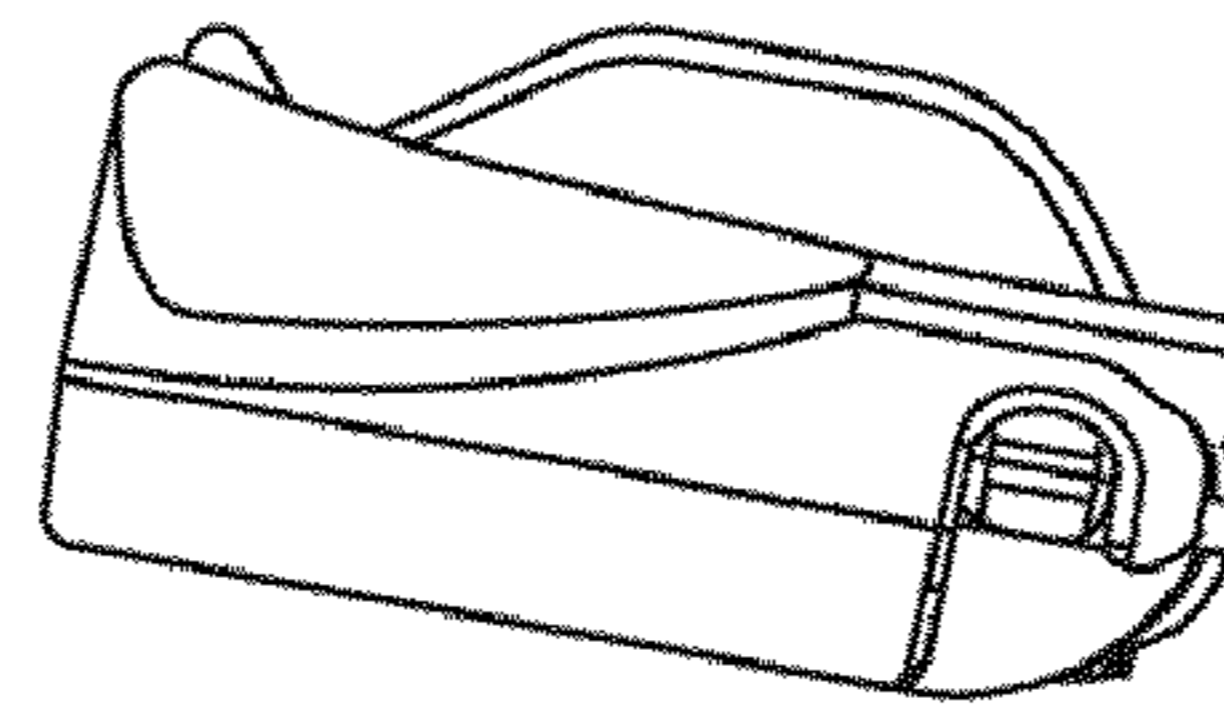


Fig.3

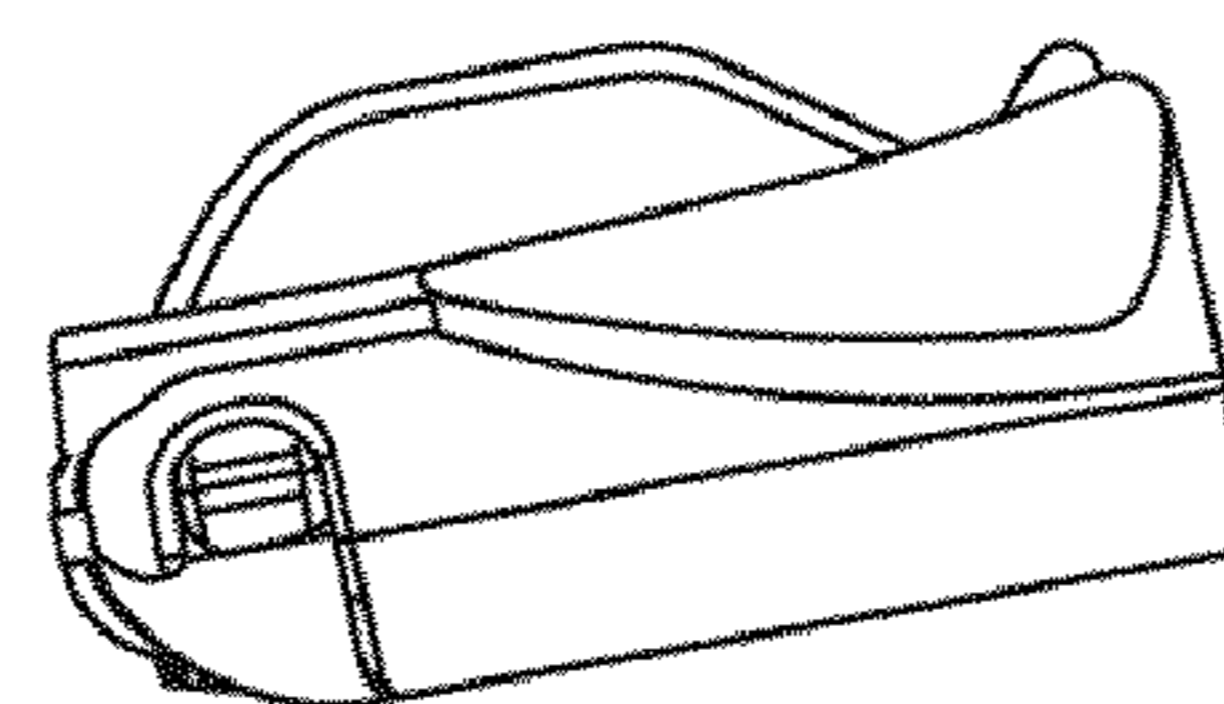


Fig.4

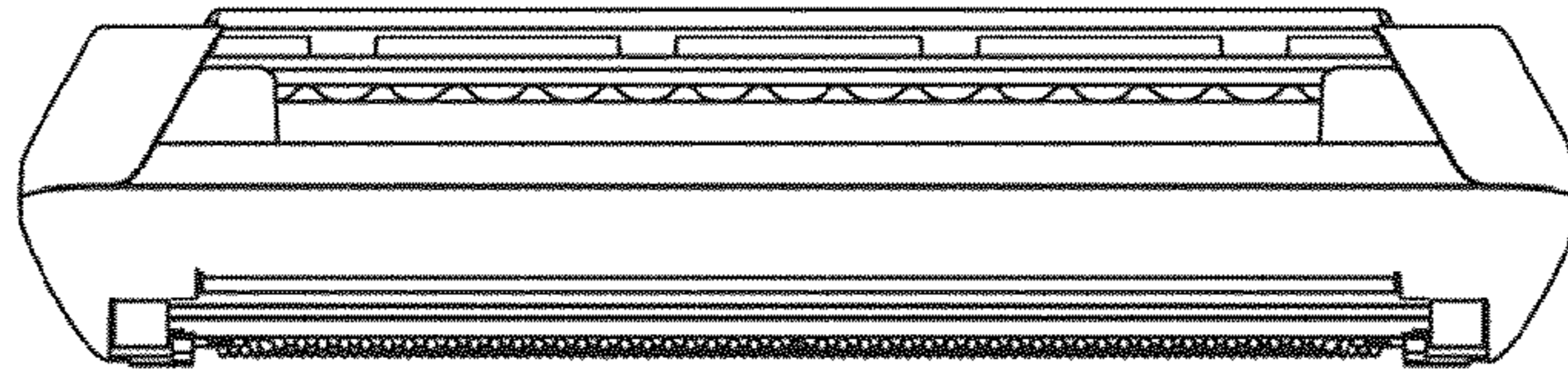


Fig.5

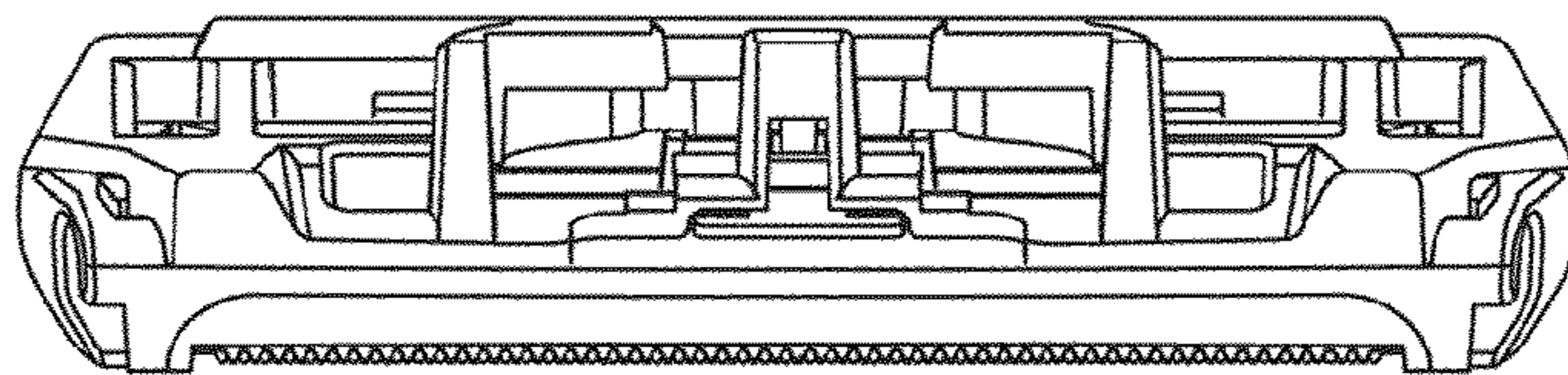


Fig.6

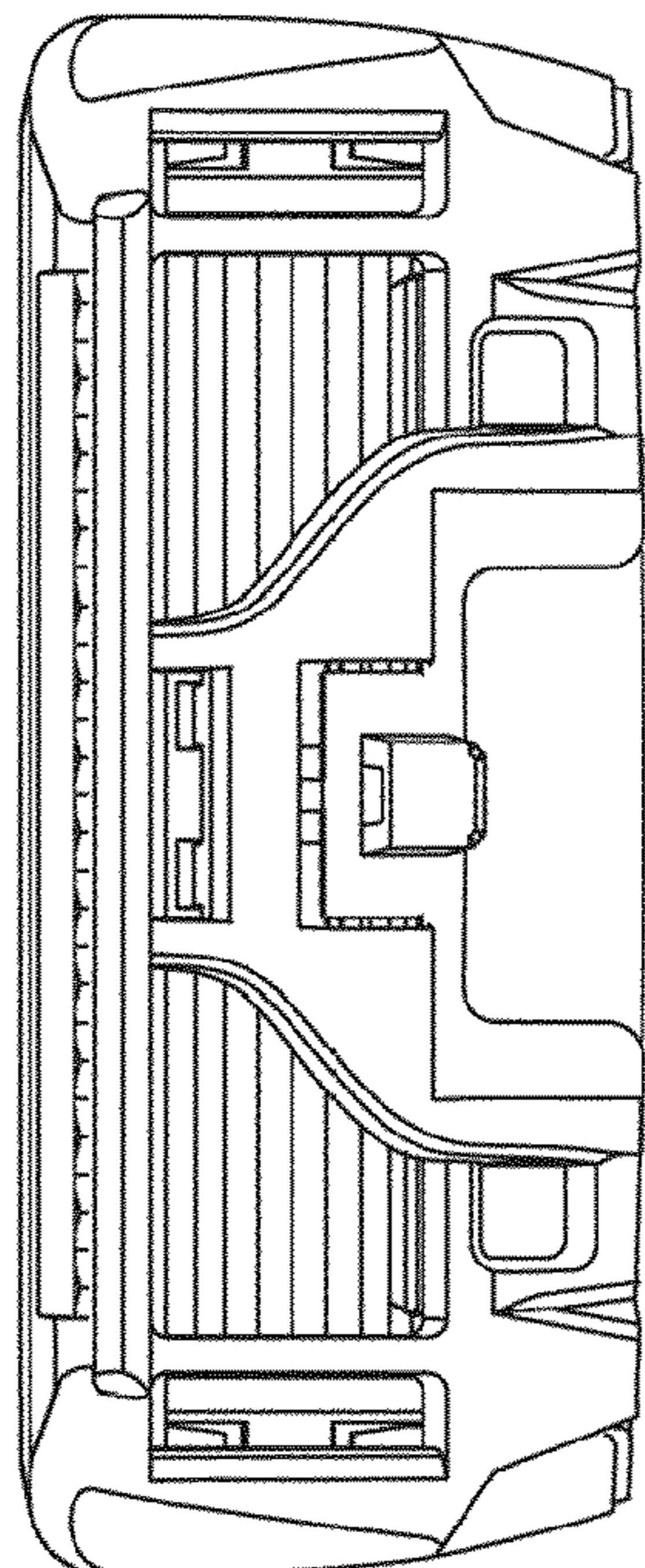
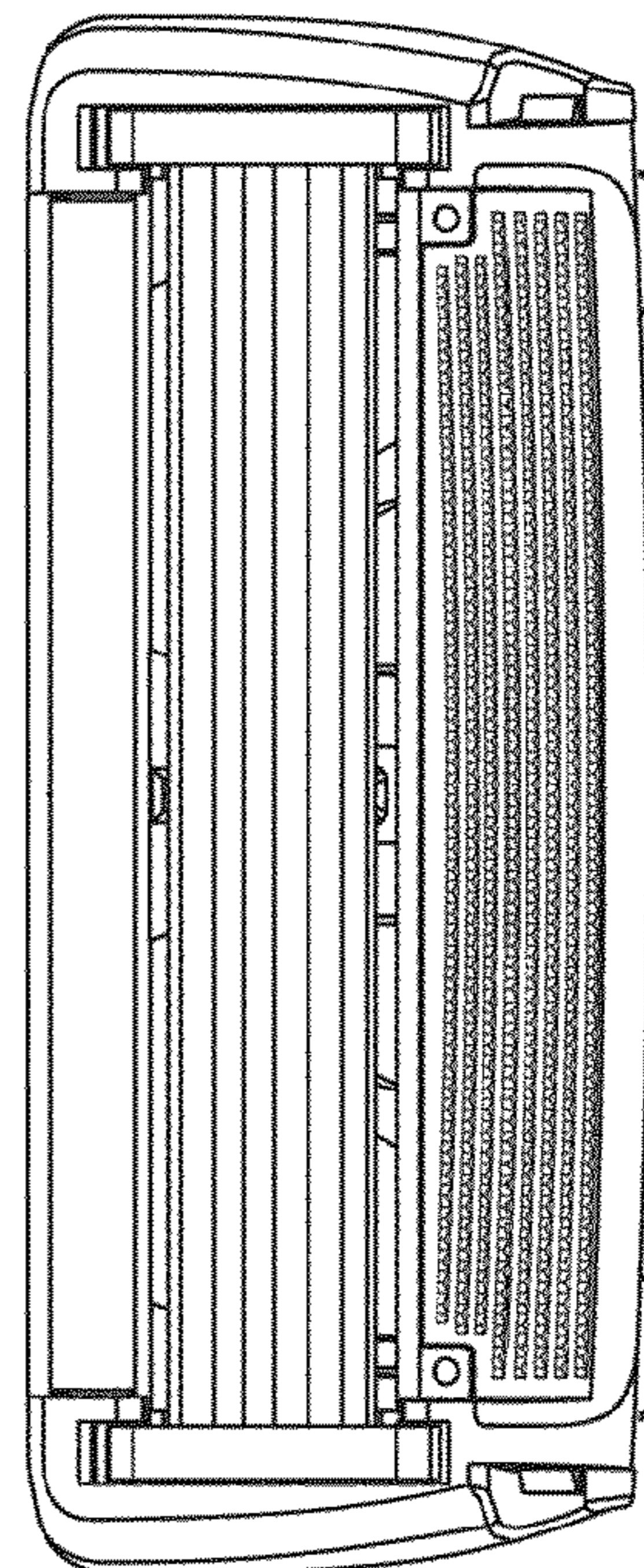


Fig.7



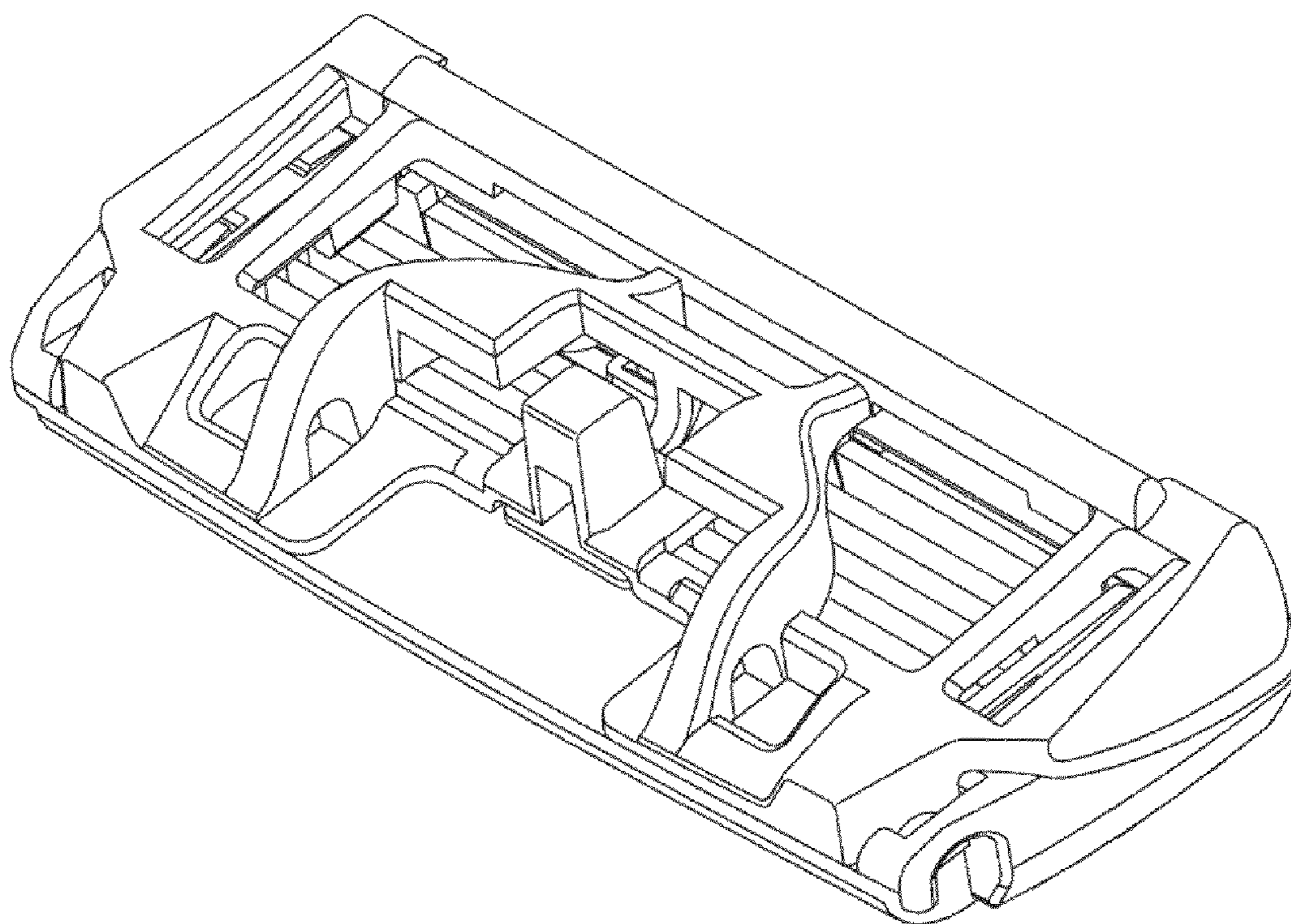


FIG. 8