



US00D629561S

(12) **United States Design Patent**
Kim et al.

(10) **Patent No.:** **US D629,561 S**
(45) **Date of Patent:** **** Dec. 21, 2010**

(54) **LED LAMP MODULE**

(75) Inventors: **Eunhwa Kim**, Uiwang (KR); **Dong Nyung Lim**, Anyang (KR)

(73) Assignee: **LG Innotek Co., Ltd.**, Seoul (KR)

(**) Term: **14 Years**

(21) Appl. No.: **29/362,535**

(22) Filed: **May 27, 2010**

(30) **Foreign Application Priority Data**

Apr. 10, 2010 (KR) 30-2010-0015940

(51) **LOC (9) Cl.** **26-99**

(52) **U.S. Cl.** **D26/138**

(58) **Field of Classification Search** D26/2,
D26/118, 120, 129, 138, 63, 65, 128, 154,
D26/119, 28, 155, 142, 121, 122, 152, 123,
D26/124, 153, 130, 141, 92, 87, 93, 85, 145;
D11/89, 90, 91, 92; 273/153 S, 160; 362/223,
362/544, 240, 545; D9/529; D21/478, 479;
D34/1; D7/509, 586; D13/134, 179, 180
See application file for complete search history.

(56) **References Cited**

U.S. PATENT DOCUMENTS

D107,554 S *	12/1937	Sibbert	D26/121
D246,677 S *	12/1977	Nigg	D26/65
D297,672 S *	9/1988	Skegin	D26/63
4,985,815 A *	1/1991	Endo	362/294
5,398,177 A *	3/1995	Harwood	362/270
D361,146 S *	8/1995	Jandrisits et al.	D26/63
D388,525 S *	12/1997	Lowell et al.	D26/63
D416,349 S *	11/1999	Pahl	D26/118
D417,307 S *	11/1999	Pahl	D26/118
D442,717 S *	5/2001	Binsukor	D26/63
D459,823 S *	7/2002	Kolbe	D26/63

6,609,816 B2 *	8/2003	Ansari et al.	362/294
6,756,905 B2 *	6/2004	Rattman et al.	340/630
D510,151 S *	9/2005	Rashidi	D26/74
D562,492 S *	2/2008	Chen	D26/85
7,357,537 B2 *	4/2008	Masuoka et al.	362/346
7,588,359 B2 *	9/2009	Coushaine et al.	362/555
D606,690 S *	12/2009	Orrom et al.	D26/61
D613,440 S *	4/2010	Lindholm	D26/63
2006/0067086 A1 *	3/2006	Hsu	362/544
2008/0130308 A1 *	6/2008	Behr et al.	362/507
2010/0127282 A1 *	5/2010	Harbers et al.	257/89

* cited by examiner

Primary Examiner—Cathron C Brooks

Assistant Examiner—Kevin K Rudzinski

(74) *Attorney, Agent, or Firm*—Park, Kim & Suh, LLC

(57) **CLAIM**

The ornamental design for an LED lamp module, as shown and described.

DESCRIPTION

FIG. 1 is a perspective view of an LED lamp module showing our new design;

FIG. 2 is a front view thereof, a rear view, a left side view and a right side view being identical with the front view;

FIG. 3 is a top plan view thereof;

FIG. 4 is a bottom plan view thereof;

FIG. 5 is a cross-section view taken along line 5—5 in FIG. 3.

FIG. 6 is an exploded perspective view showing the LED lamp module in an environment of use with a lens; and,

FIG. 7 is a perspective view showing the LED lamp module in an environment of use with an LED lamp.

The broken lines shown in the figures are for illustrative purposes only and form no part of the claimed design.

1 Claim, 7 Drawing Sheets

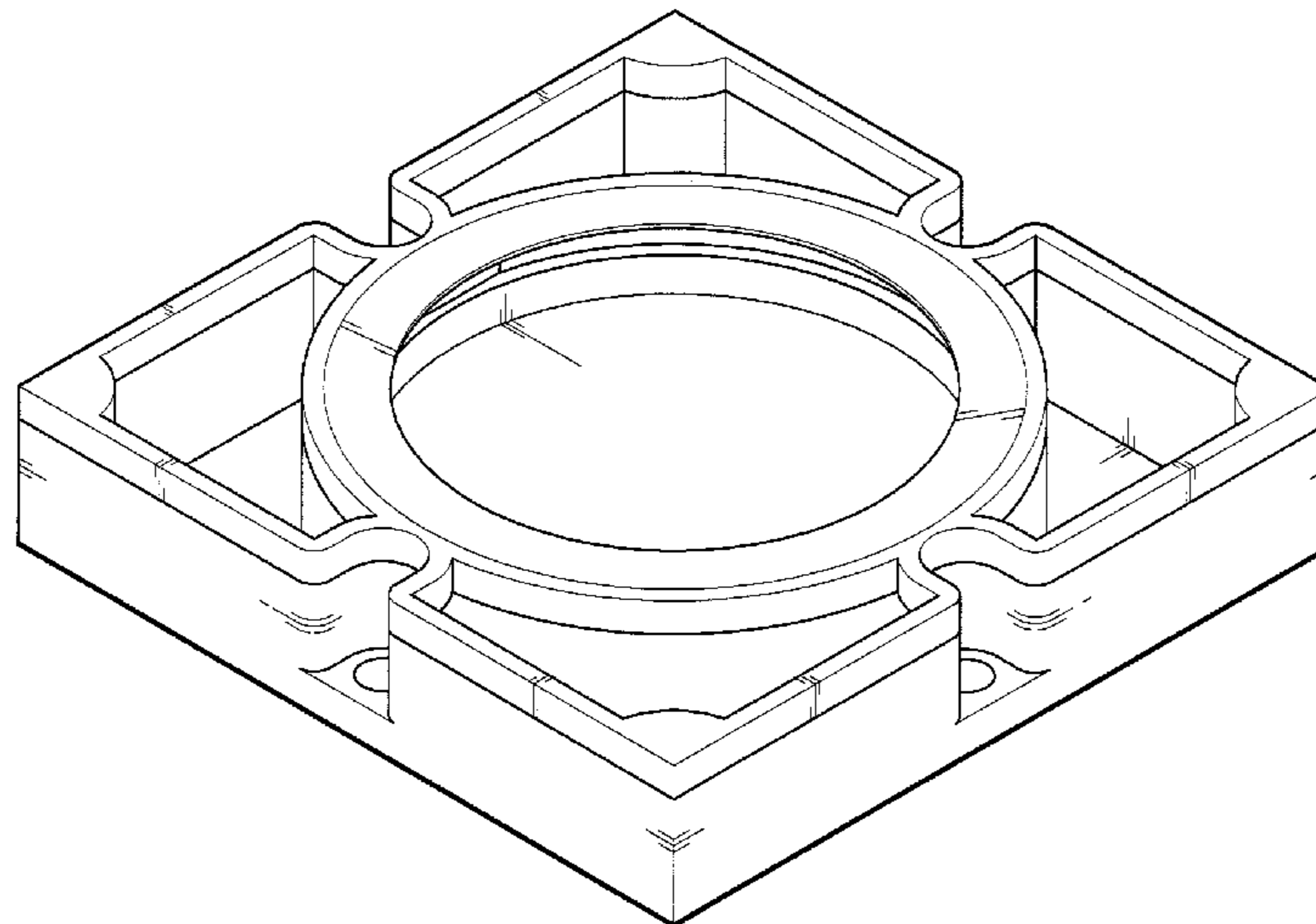


FIG. 1

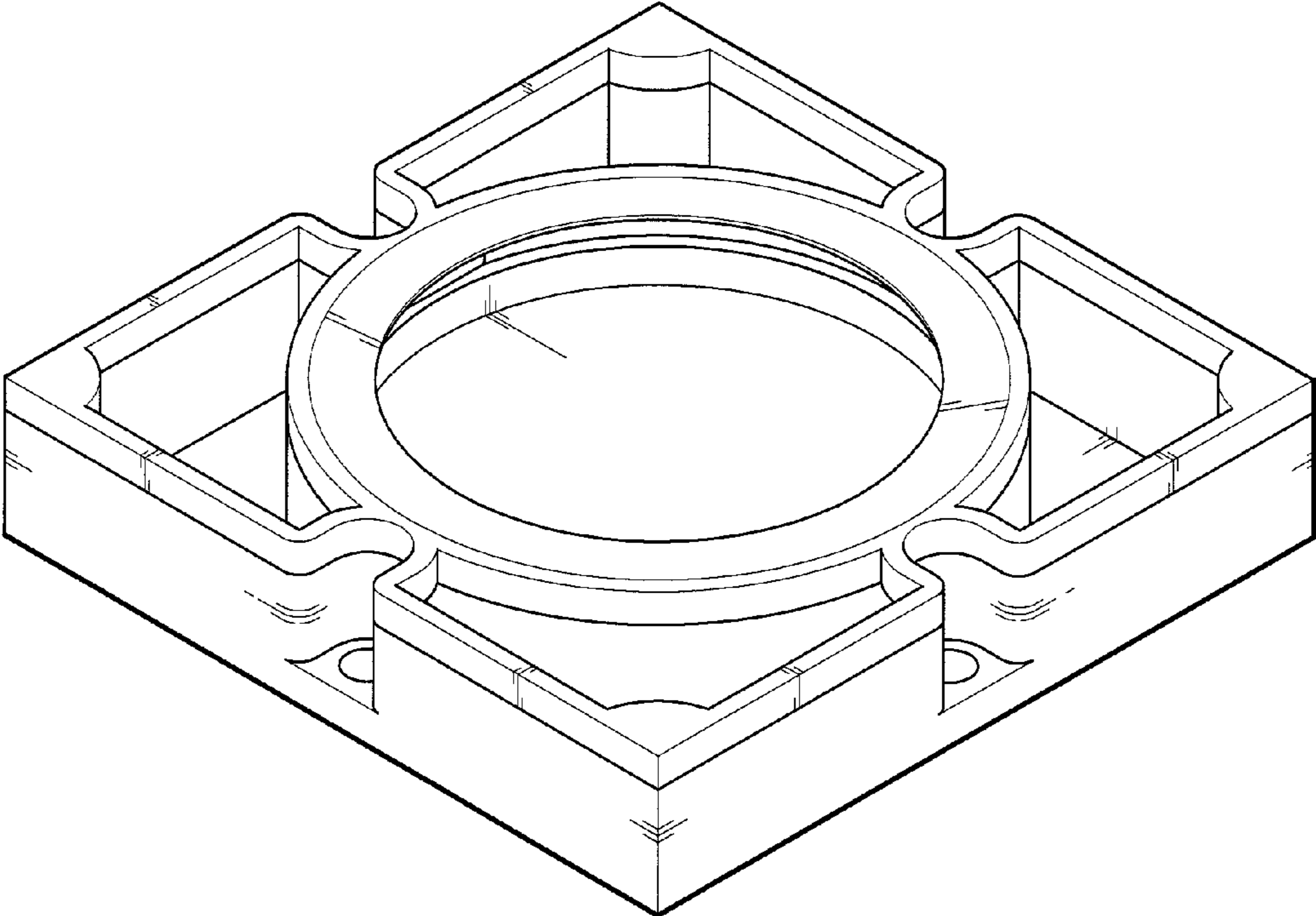


FIG. 2

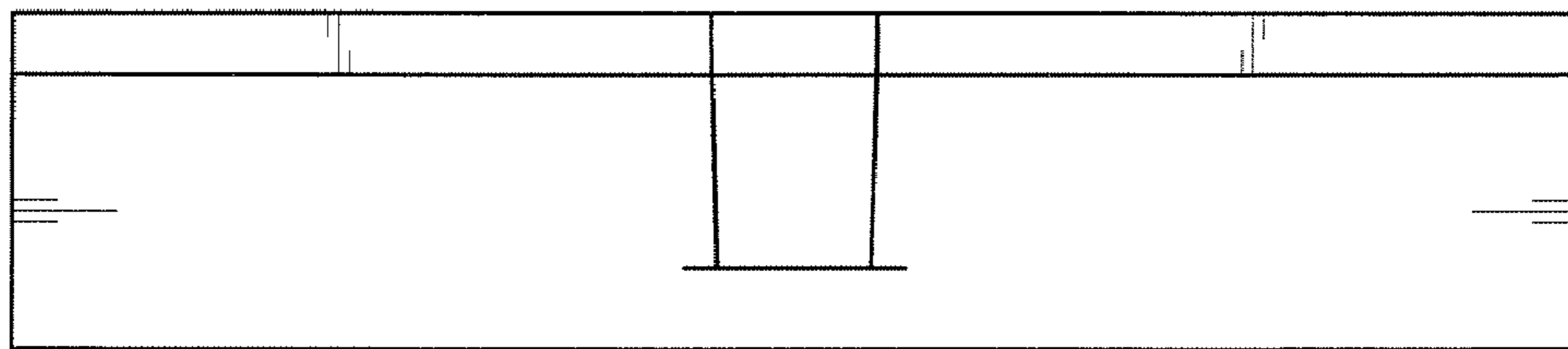


FIG. 3

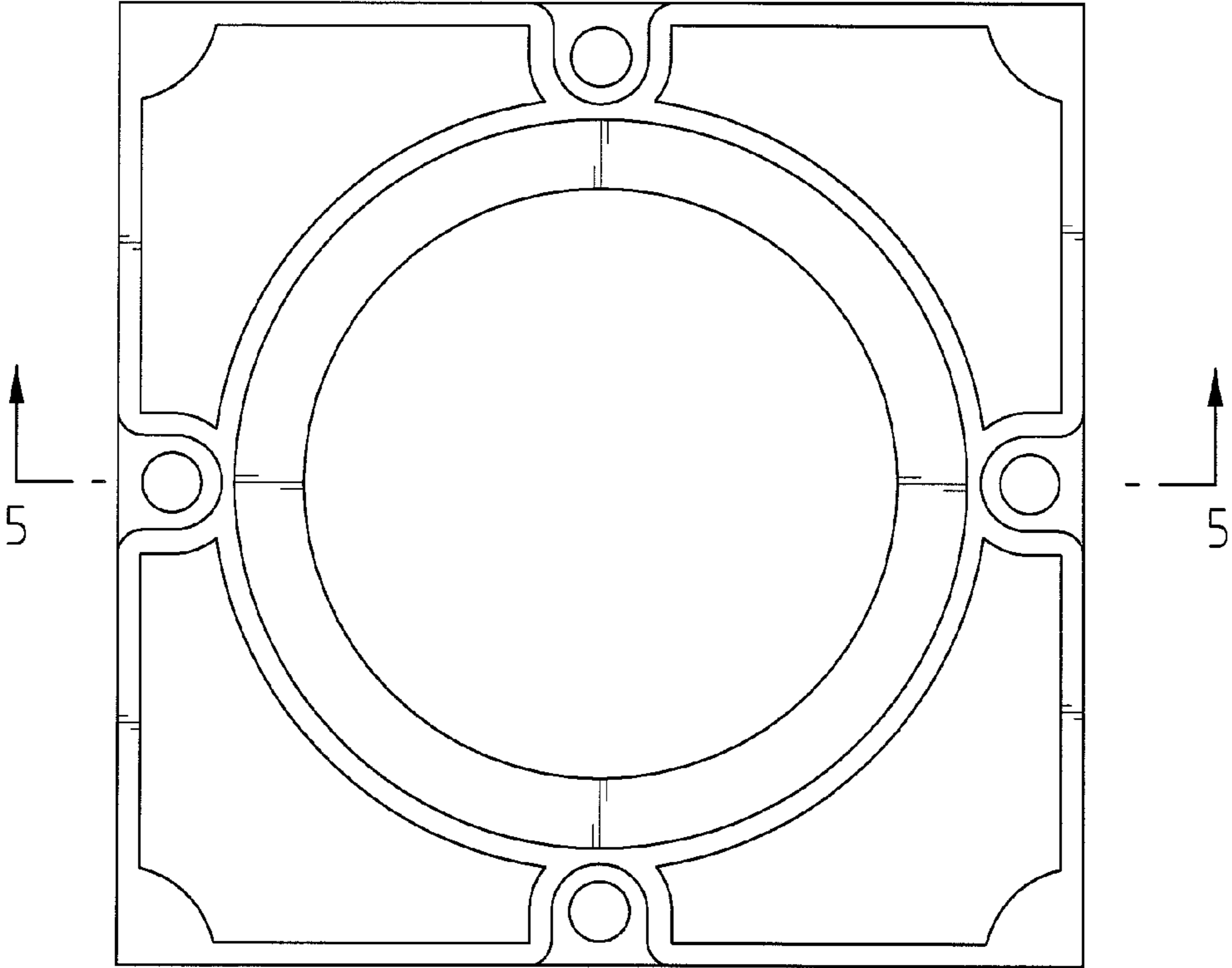


FIG. 4

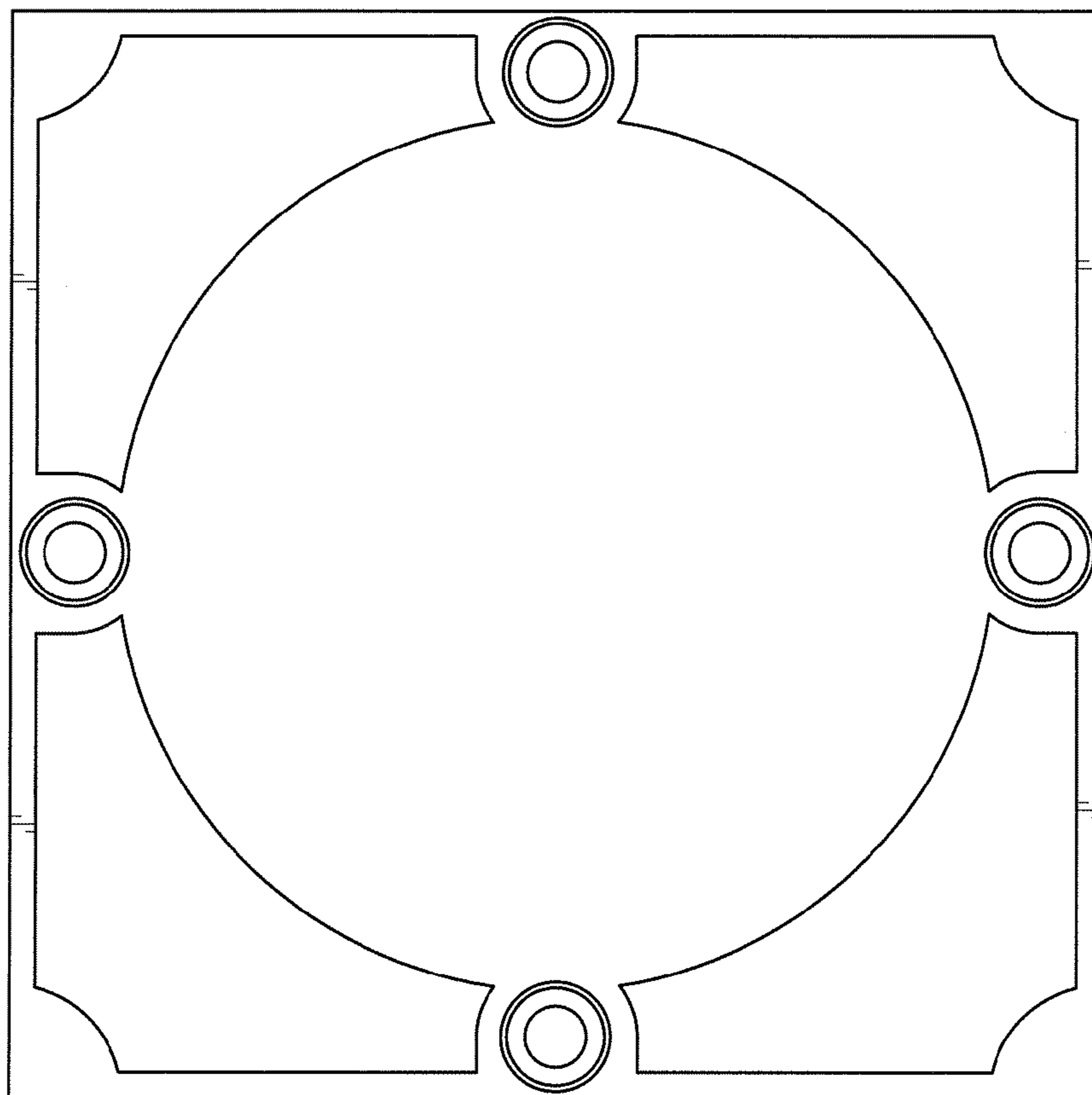


FIG. 5

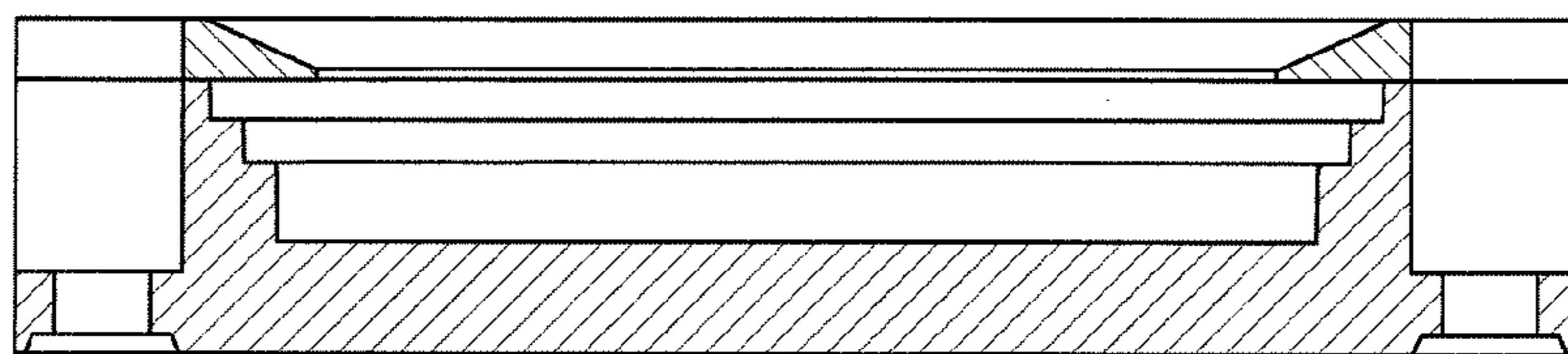


FIG. 6

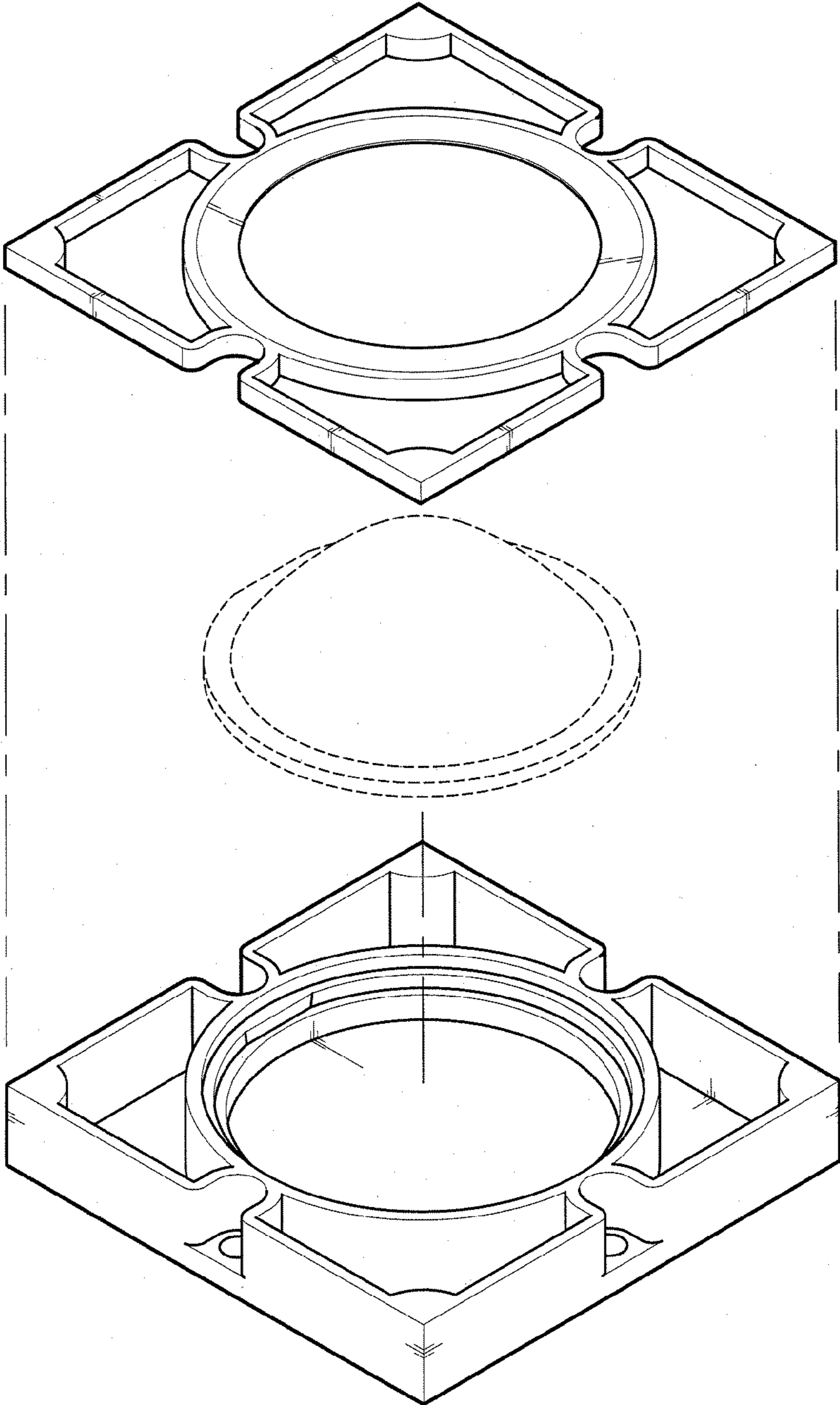


FIG. 7

