



US00D629560S

(12) **United States Design Patent**
Shimokawa

(10) **Patent No.:** **US D629,560 S**

(45) **Date of Patent:** **** Dec. 21, 2010**

(54) **LED LIGHT DISTRIBUTION LENS**

(75) Inventor: **Teppei Shimokawa**, Higashiosaka (JP)

(73) Assignee: **Endo Lighting Corporation**, Osaka (JP)

(**) Term: **14 Years**

(21) Appl. No.: **29/349,699**

(22) Filed: **Apr. 23, 2010**

(30) **Foreign Application Priority Data**

Oct. 27, 2009 (JP) 2009-246359

(51) **LOC (9) Cl.** **26-99**

(52) **U.S. Cl.** **D26/124**

(58) **Field of Classification Search** D26/63,
D26/67, 136, 87, 92, 142, 145, 155, 1, 2,
D26/134, 154, 3, 138, 123, 118, 133, 129,
D26/130, 131, 28, 124, 144, 81, 84, 85, 120,
D26/128, 140, 141, 143; 362/291, 294, 414,
362/352, 260, 220, 218, 219, 221, 241, 147,
362/277, 326, 351, 355, 356, 357, 370, 405,
362/432; 439/235, 226, 239; D13/110, 179,
D13/180

See application file for complete search history.

(56) **References Cited**

U.S. PATENT DOCUMENTS

- D50,962 S * 6/1917 Wible D26/123
- D51,527 S * 11/1917 Long D26/123
- D51,598 S * 12/1917 Long D26/123
- D52,079 S * 6/1918 Marcus D26/123
- D52,503 S * 10/1918 Arndt D26/123
- D223,954 S * 6/1972 Nagel D26/123
- D336,963 S * 6/1993 Levin et al. D26/2
- 5,704,709 A * 1/1998 Zwick et al. 362/304
- D468,051 S * 12/2002 Gaskins et al. D26/123
- D471,664 S * 3/2003 Huang D26/123
- D487,320 S * 3/2004 Huang D26/28
- 6,755,556 B2 * 6/2004 Gasquet et al. 362/329

- 6,840,654 B2 * 1/2005 Guerrieri et al. 362/241
- 6,953,264 B2 * 10/2005 Ter-Hovhannisian 362/241
- 7,025,482 B2 * 4/2006 Yamashita et al. 362/511
- D551,784 S * 9/2007 Krieglmeier et al. D26/2
- D582,062 S * 12/2008 Van de Poel D26/2
- 7,483,220 B2 * 1/2009 Kittelmann et al. 359/742
- D587,383 S * 2/2009 Wei D26/2
- D587,384 S * 2/2009 Wei D26/2
- 7,588,358 B1 * 9/2009 Condon 362/522
- 2002/0093820 A1 * 7/2002 Pederson 362/241
- 2004/0027833 A1 * 2/2004 Amano et al. 362/507

* cited by examiner

Primary Examiner—Cathron C Brooks

Assistant Examiner—Kevin K Rudzinski

(74) *Attorney, Agent, or Firm*—William L. Androlia; H. Henry Koda

(57) **CLAIM**

The ornamental design for LED light distribution lens, as shown and described.

DESCRIPTION

FIG. 1 is a perspective view of an LED light distribution lens taken from the top and front thereof, showing my new design;

FIG. 2 is a top plan view thereof;

FIG. 3 is a front elevational view thereof, the rear elevational view being identical to the front elevational view;

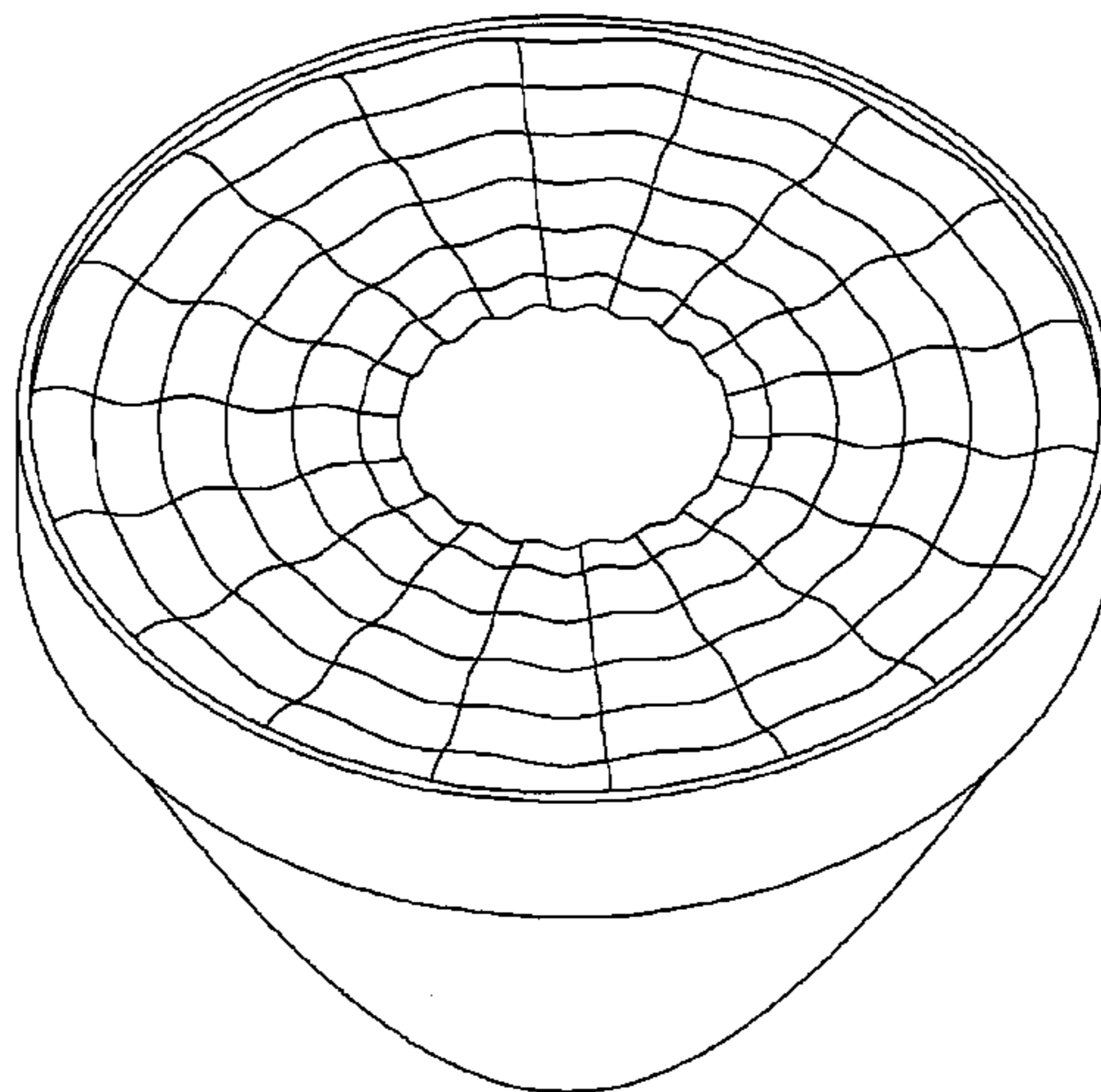
FIG. 4 is a bottom plan view thereof;

FIG. 5 is a right side elevational view thereof, the left side elevational view being identical to the right side elevational view;

FIG. 6 is a cross-sectional view thereof taken along the line VI—VI in FIG. 3; and,

FIG. 7 is an illustrative perspective view showing the lens in use, in which portions shown in broken lines form no part of the claimed design.

1 Claim, 7 Drawing Sheets



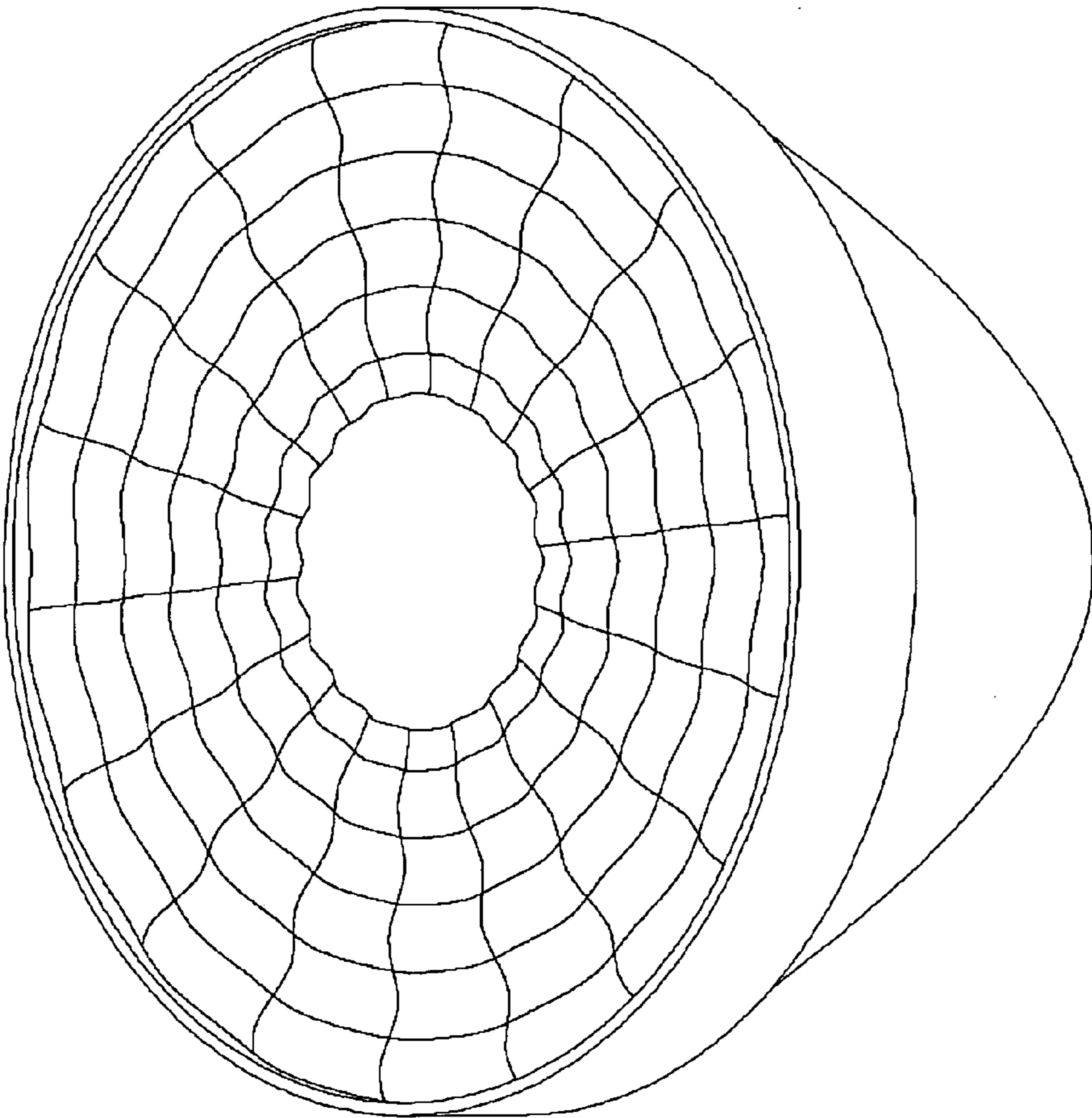


Fig. 1

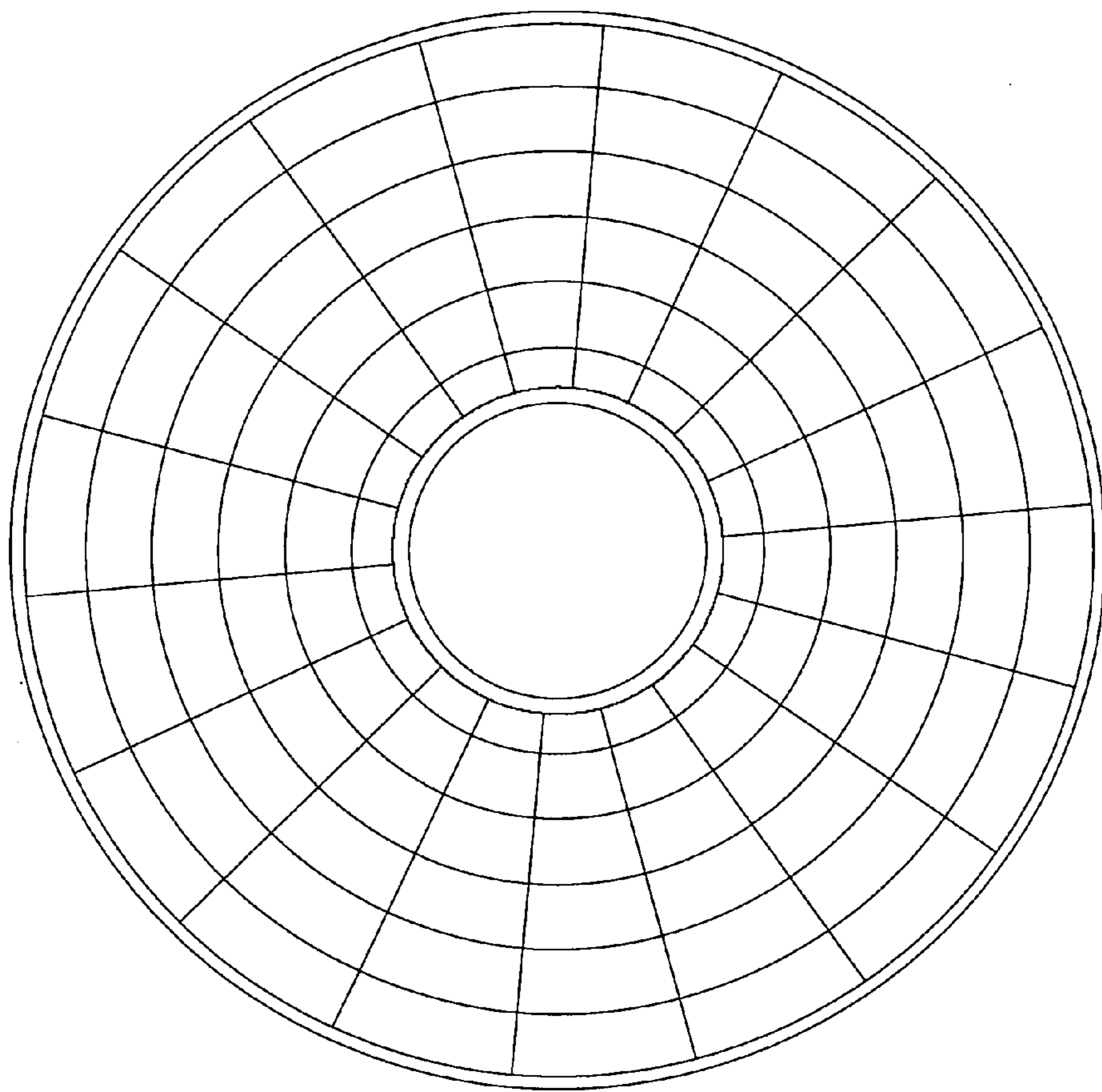


Fig. 2

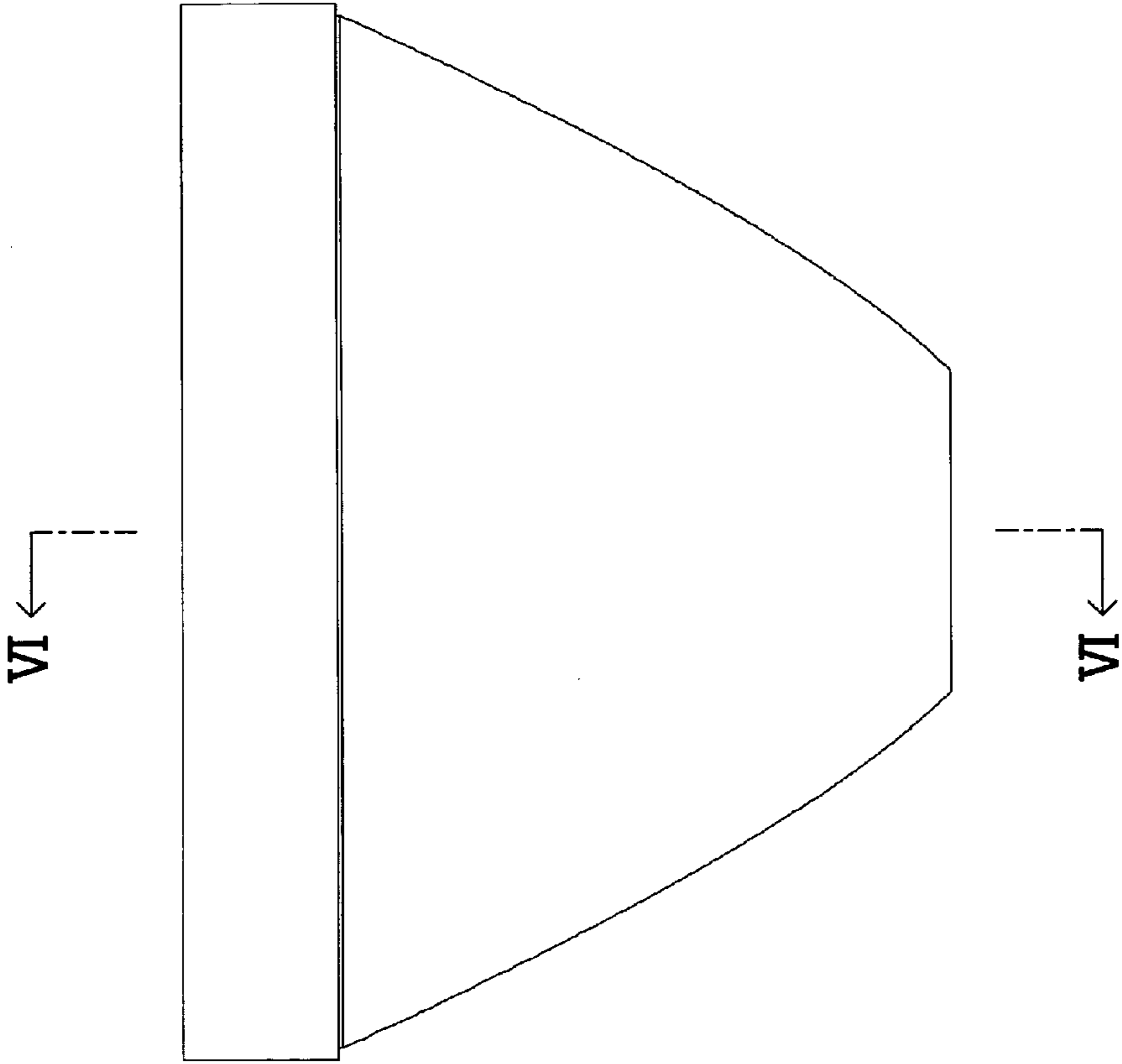


Fig. 3

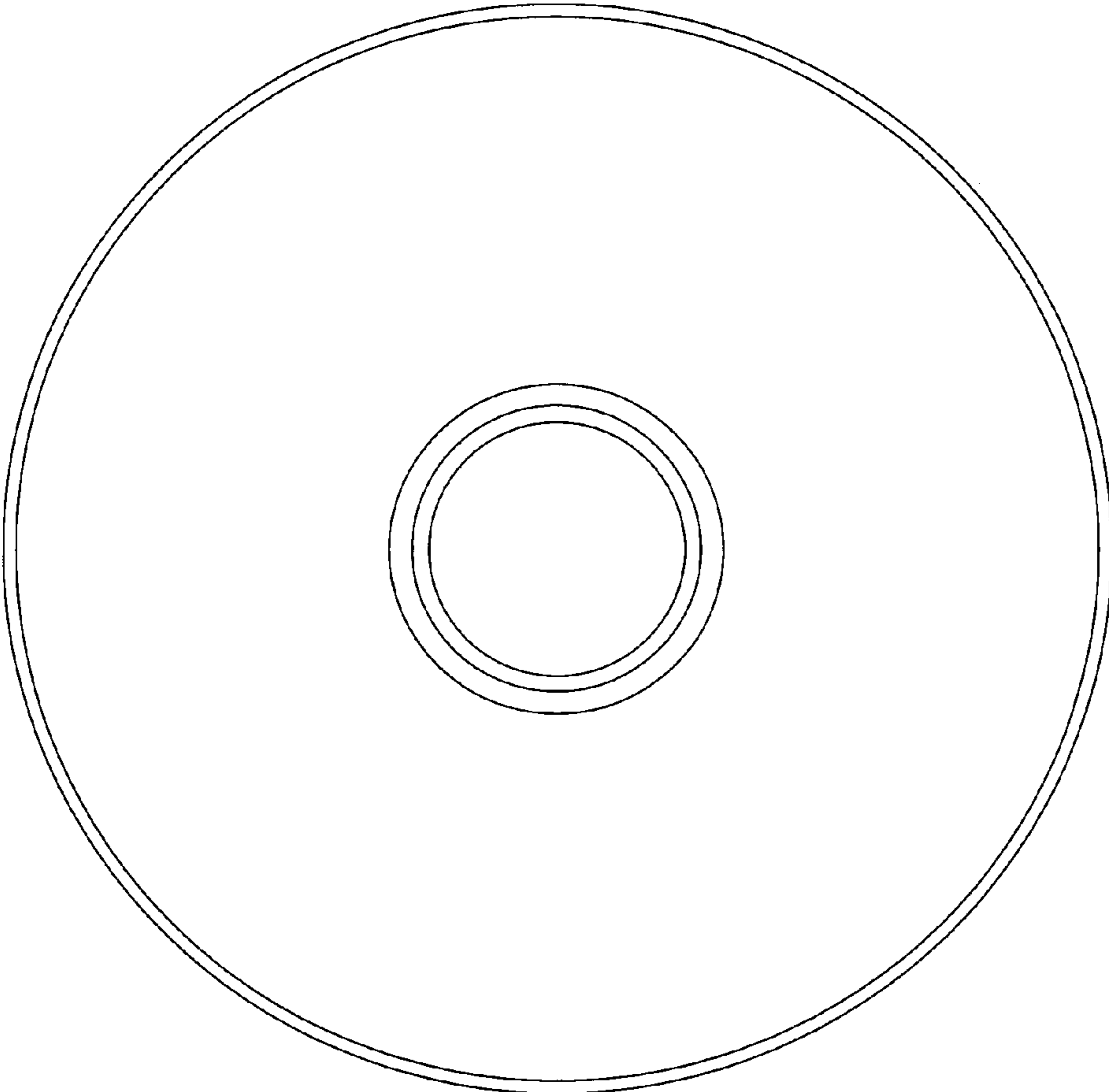


Fig. 4

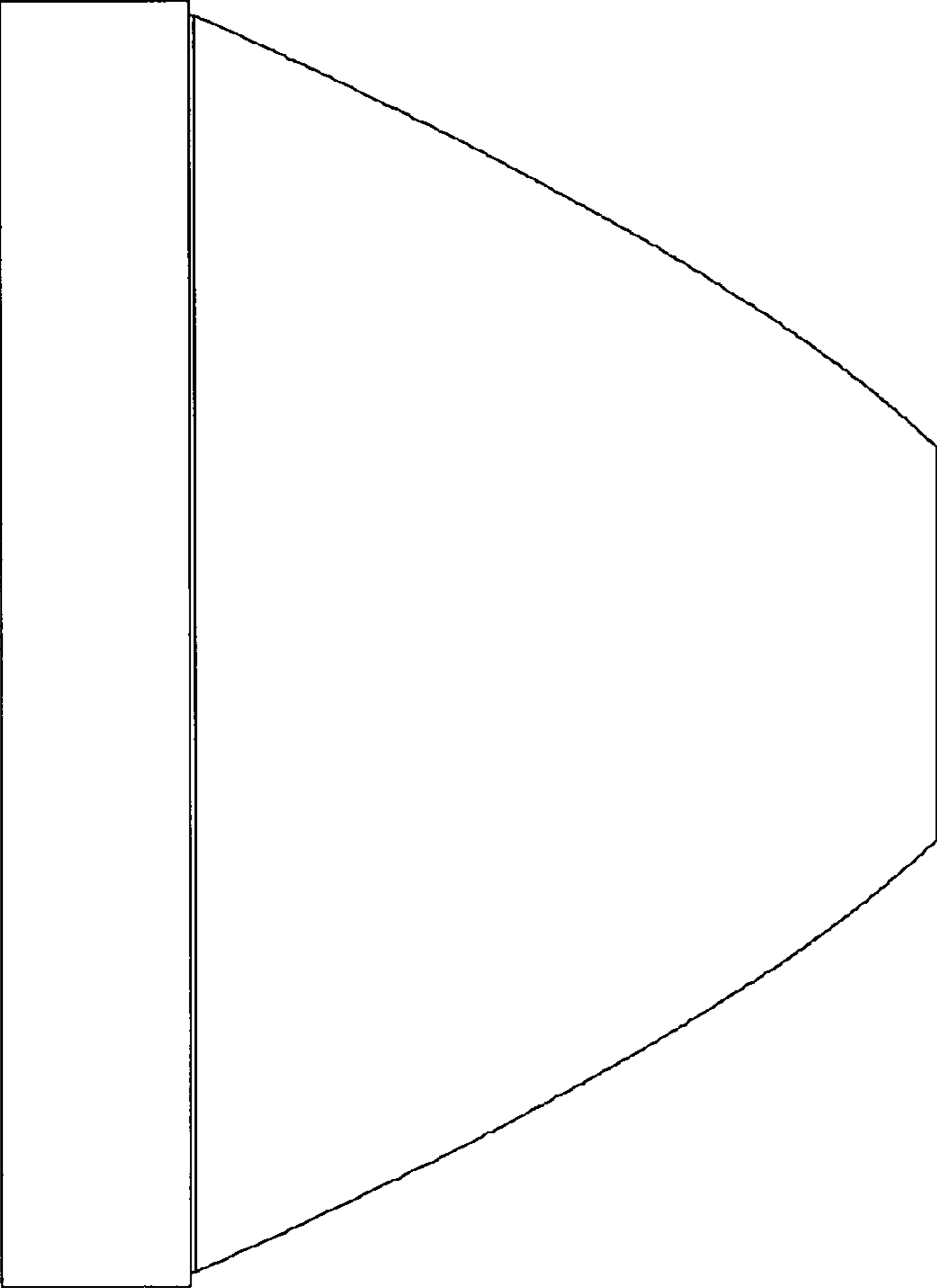


Fig. 5

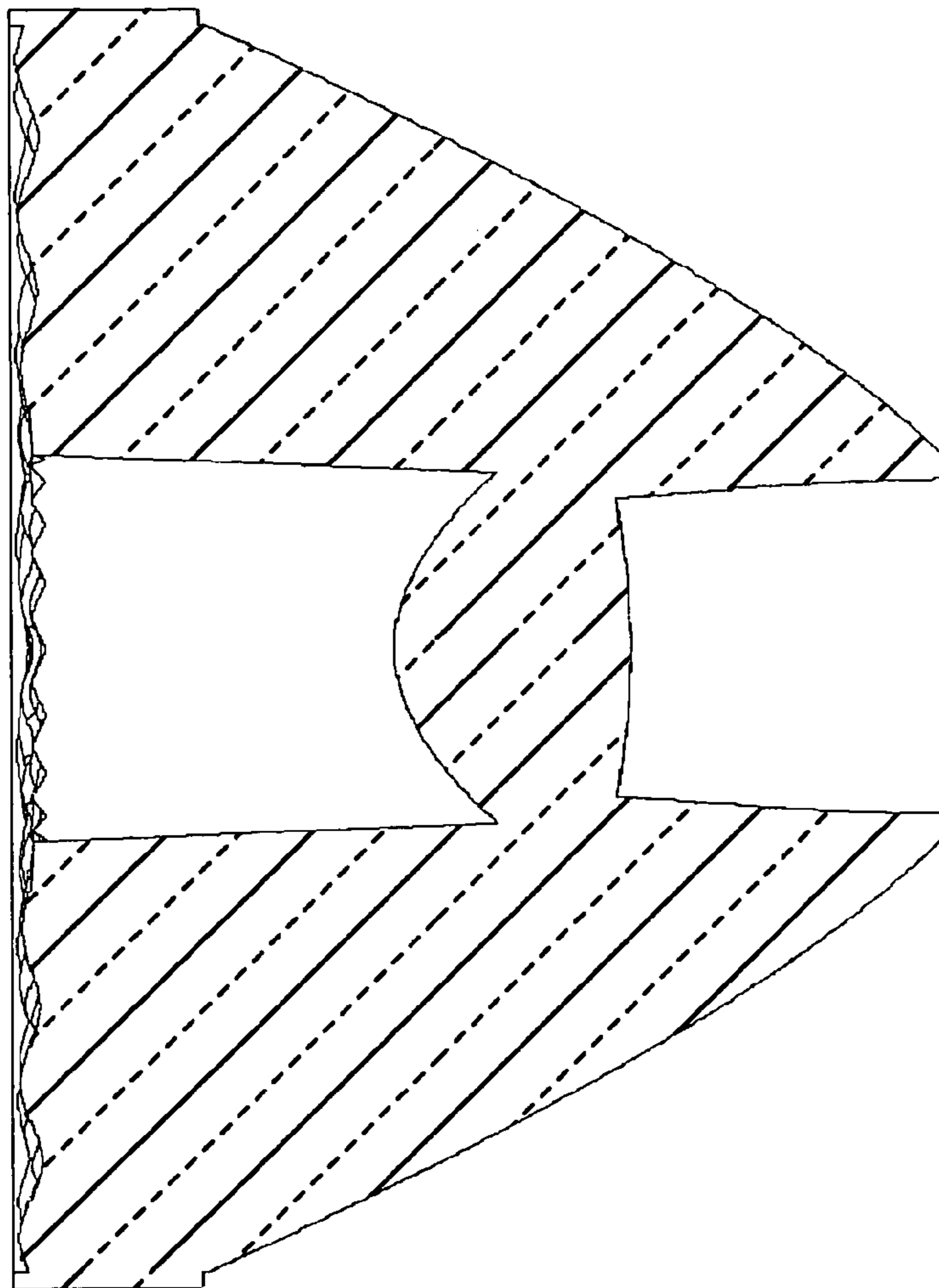


Fig. 6

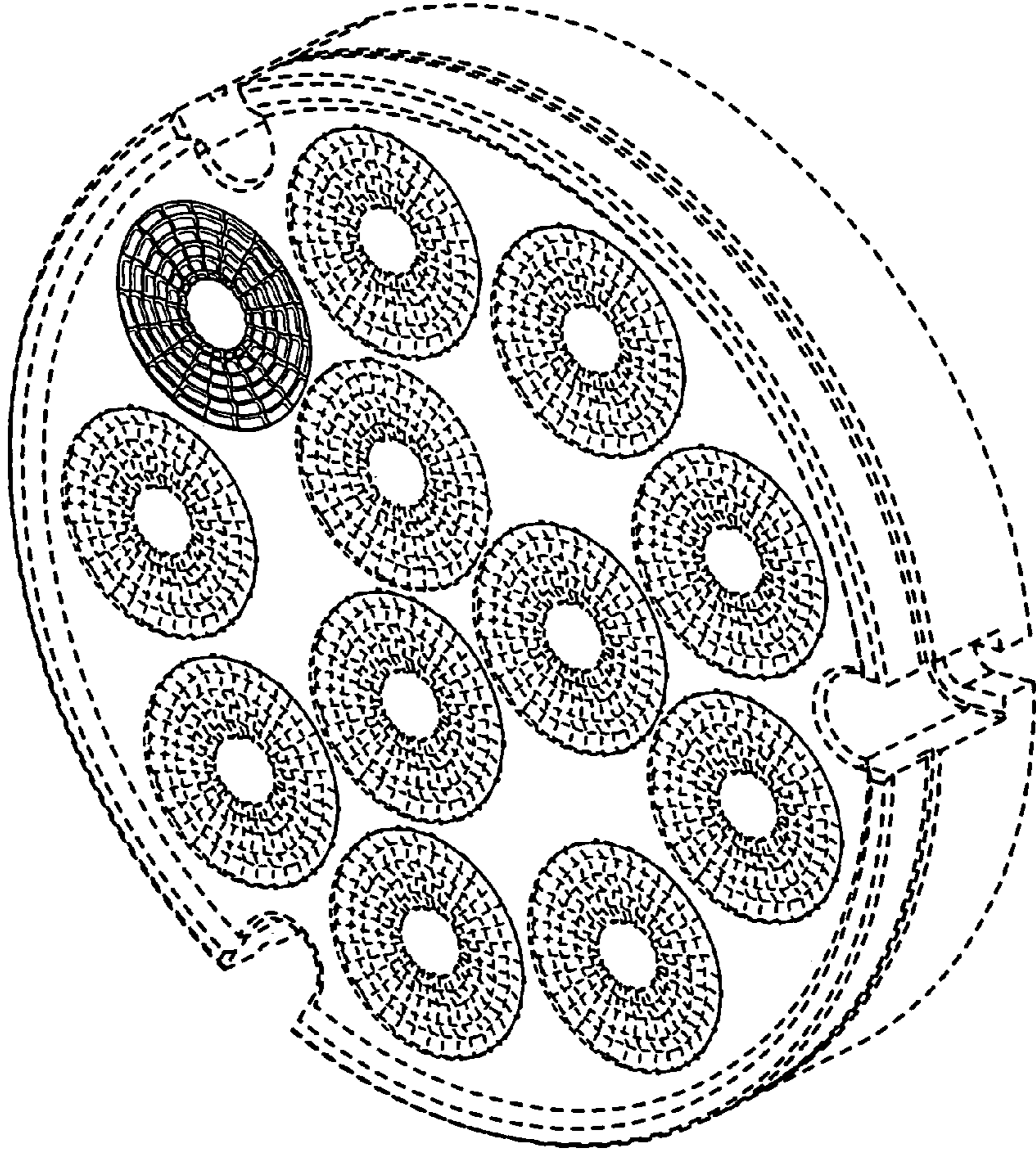


Fig. 7