



US00D629559S

(12) **United States Design Patent**
Tseng et al.

(10) **Patent No.:** **US D629,559 S**
(45) **Date of Patent:** **** Dec. 21, 2010**

(54) **REFLECTIVE LIGHT EMITTING DIODE LAMP**

(75) Inventors: **Shih-Che Tseng**, Hsinchu (TW);
Mao-Sung Hsu, Hsinchu (TW)

(73) Assignee: **Tyntek Corporation**, Hsinchu (TW)

(**) Term: **14 Years**

(21) Appl. No.: **29/364,575**

(22) Filed: **Jun. 25, 2010**

(51) **LOC (9) Cl.** **26-99**

(52) **U.S. Cl.** **D26/123**

(58) **Field of Classification Search** D26/136,
D26/63, 28, 60, 61, 142, 138, 141, 120, 118,
D26/88, 40, 37, 41, 42, 81, 84, 85, 113, 2,
D26/3, 123; 362/105, 475, 473, 219, 240,
362/244, 246, 294, 249.01-249.11, 179;
D13/147, 179, 180, 108, 134; 315/58; D34/27;
D9/425, 431, 756; D8/354; 40/553, 617,
40/492; D20/10, 42; D25/124; 439/22

See application file for complete search history.

(56) **References Cited**

U.S. PATENT DOCUMENTS

D541,446 S * 4/2007 Chiang D26/28
D560,016 S * 1/2008 Arndt et al. D26/118
D566,869 S * 4/2008 Lin D26/28
D570,012 S * 5/2008 Huang D26/28

D578,231 S * 10/2008 Huang D26/28
D581,583 S * 11/2008 Peng D26/135
D582,342 S * 12/2008 Chen et al. D13/118
D582,579 S * 12/2008 Tsai et al. D26/2
7,458,706 B1 * 12/2008 Liu et al. 362/373
D587,383 S * 2/2009 Wei D26/2
D602,179 S * 10/2009 Foo D26/2

* cited by examiner

Primary Examiner—Cathron C Brooks

Assistant Examiner—Kevin K Rudzinski

(74) *Attorney, Agent, or Firm*—Ladas & Parry LLP

(57) **CLAIM**

The ornamental design for reflective light emitting diode lamp, as shown and described.

DESCRIPTION

FIG. 1 is a perspective view of reflective light emitting diode lamp showing my new design;

FIG. 2 is a front elevational view thereof;

FIG. 3 is a rear elevational view thereof;

FIG. 4 is a left side elevational view thereof;

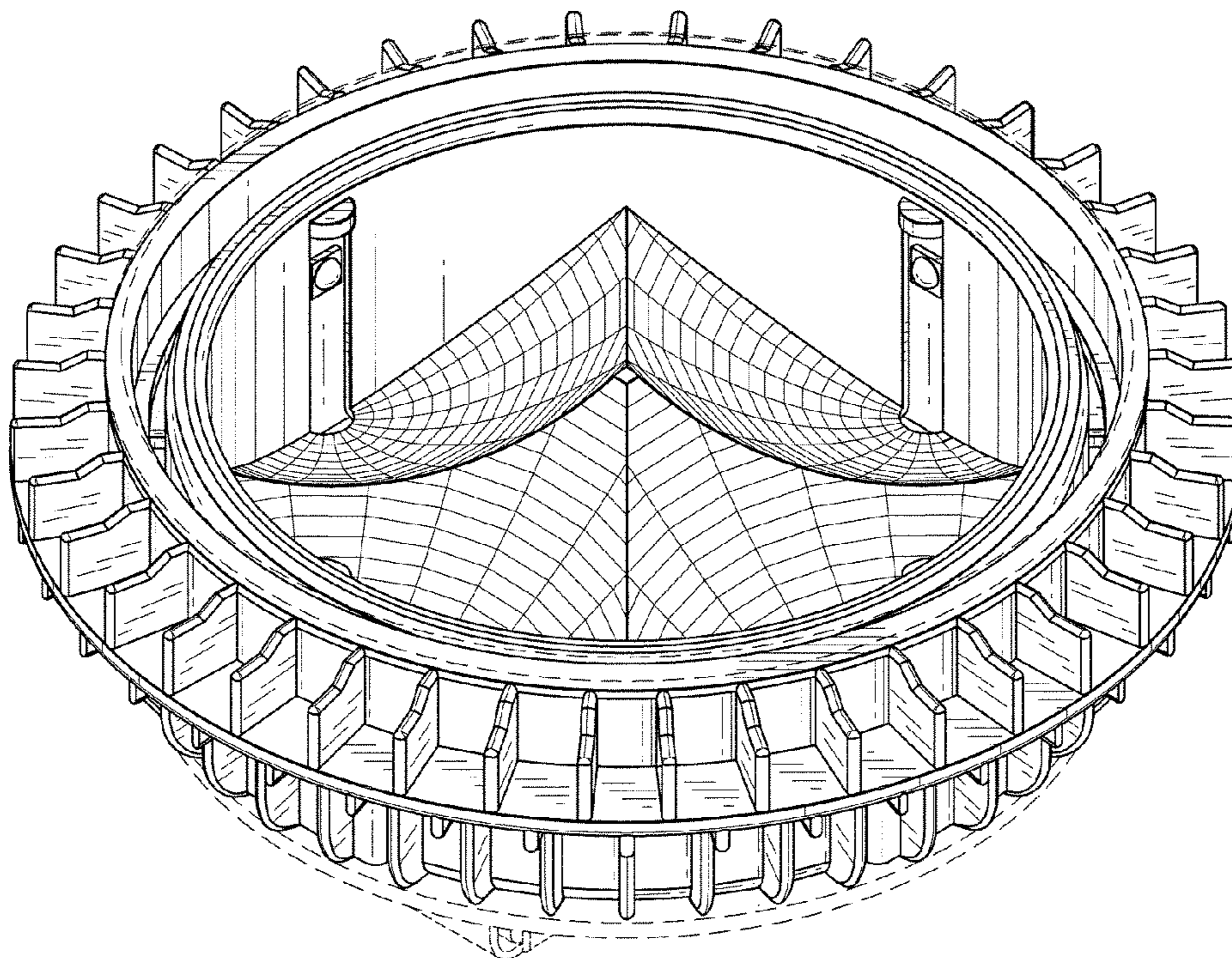
FIG. 5 is a right side elevational view thereof;

FIG. 6 is a top plan view thereof; and,

FIG. 7 is a bottom plan view thereof.

The portions shown in dashed lines in the drawings form no part of the claimed design.

1 Claim, 5 Drawing Sheets



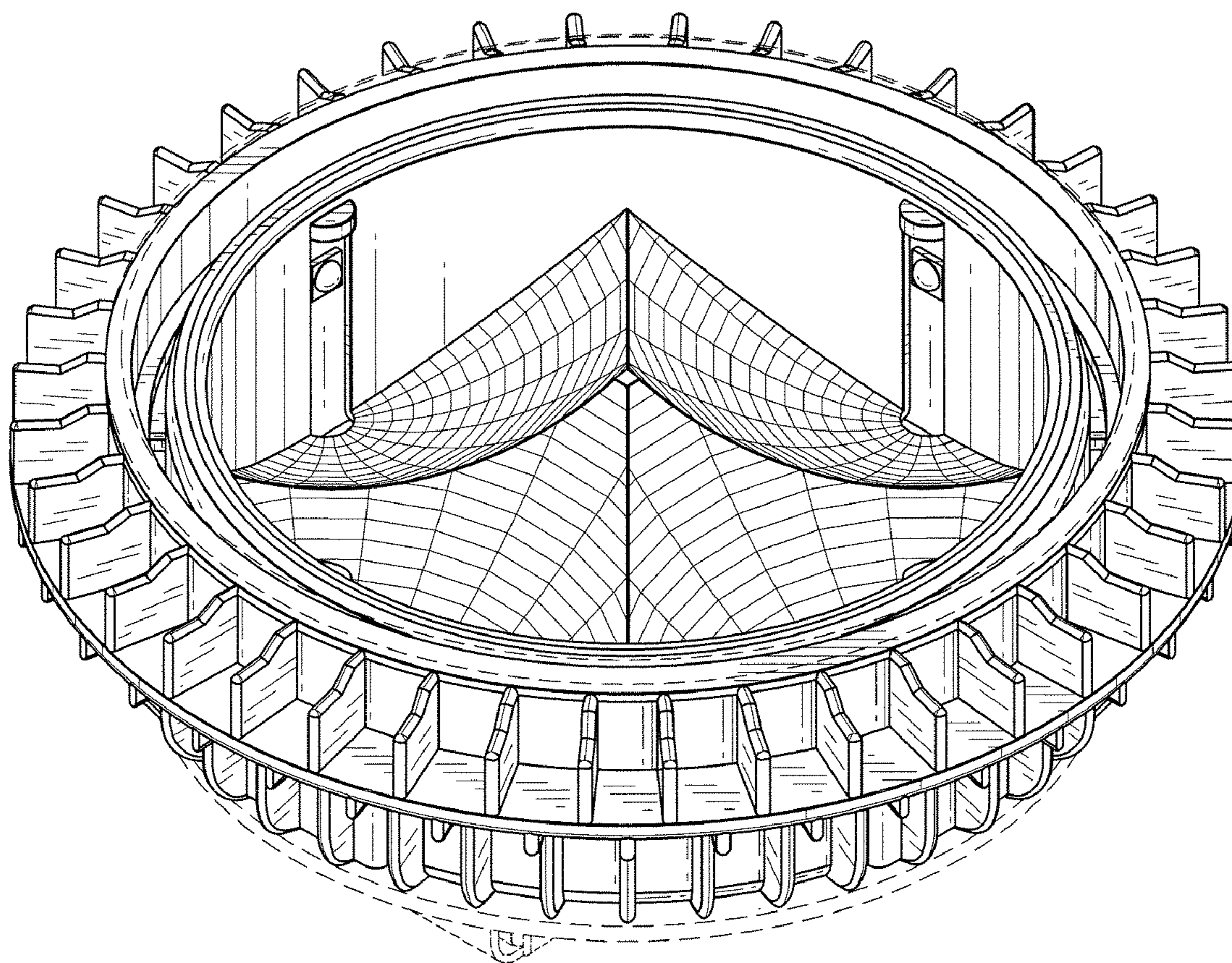


FIG. 1

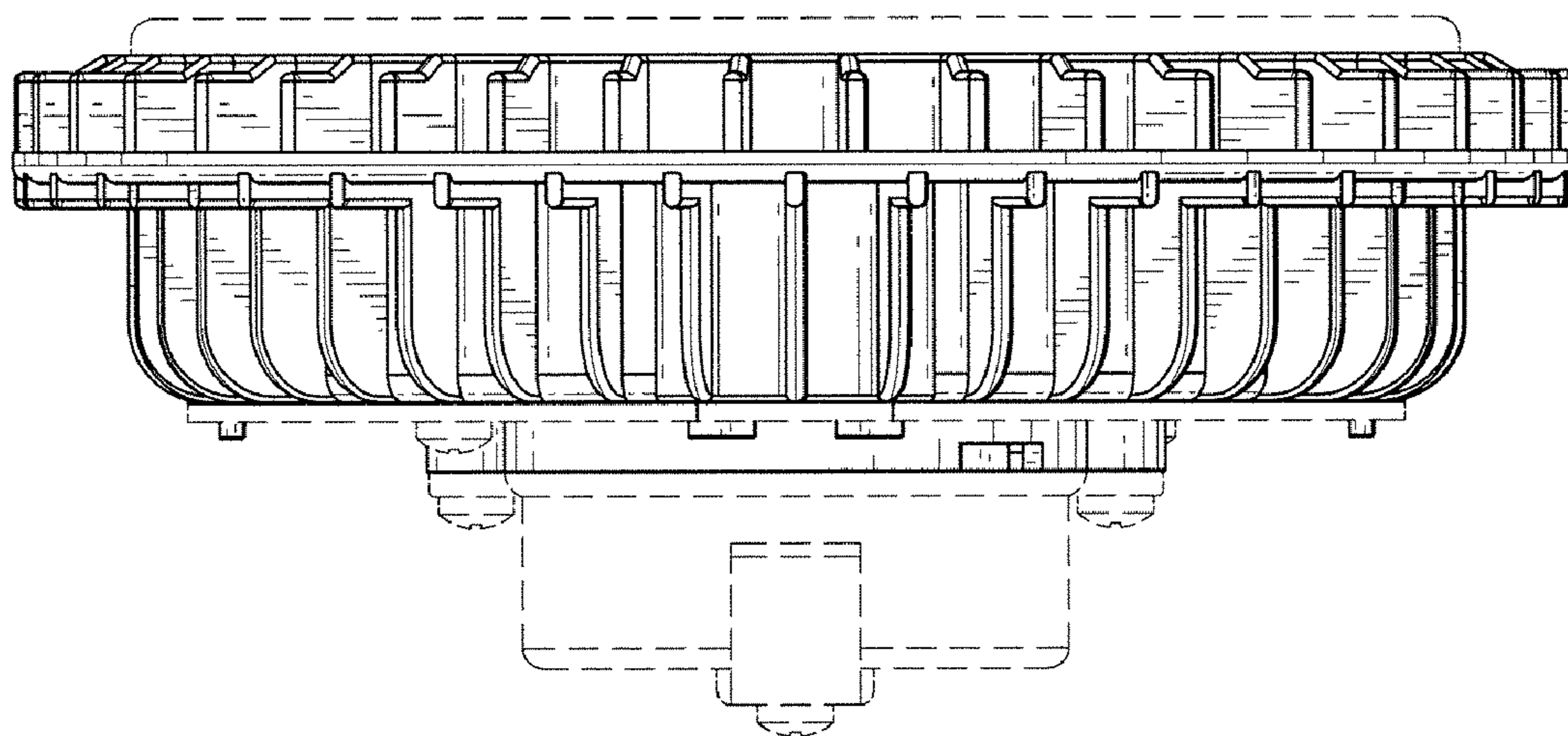


FIG. 2

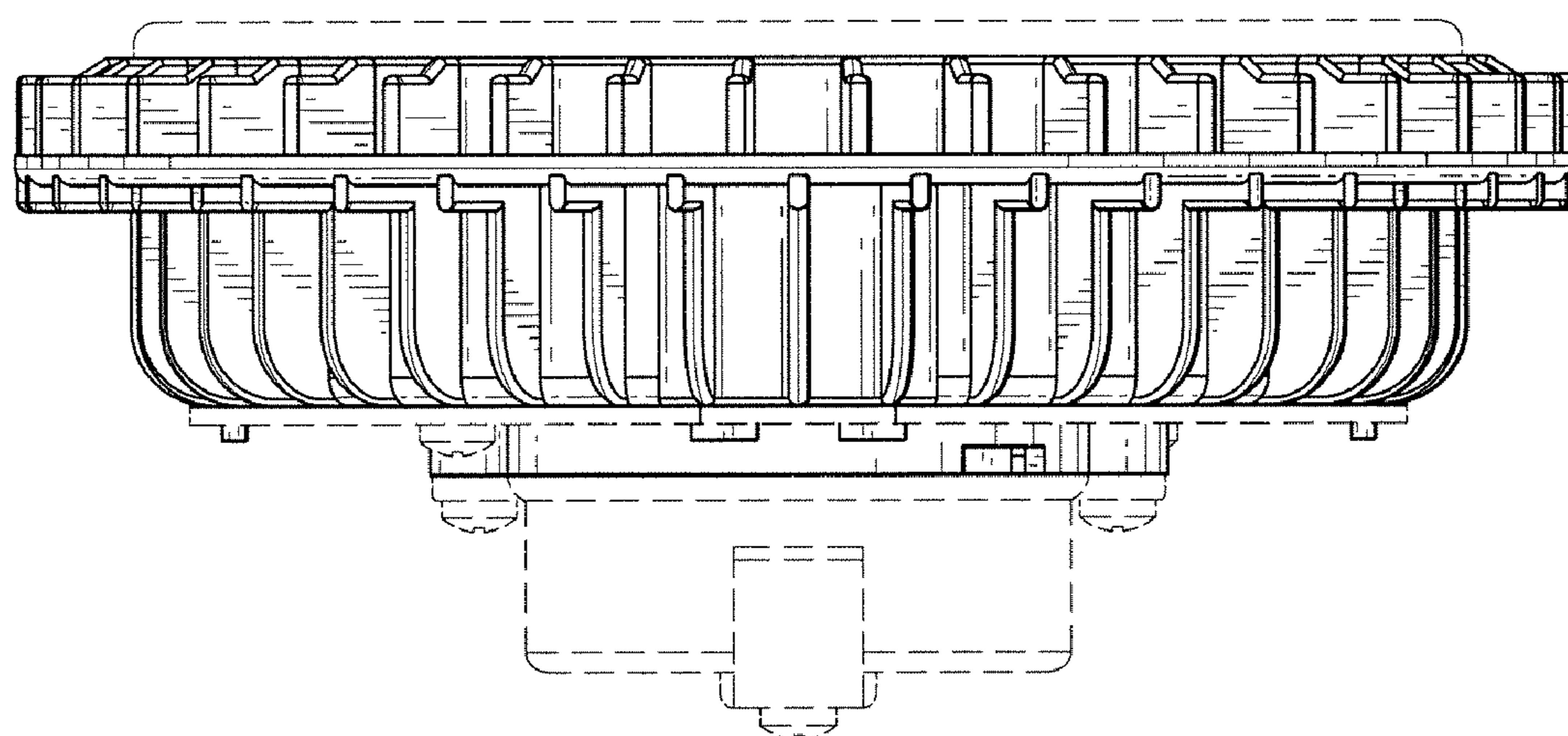


FIG. 3

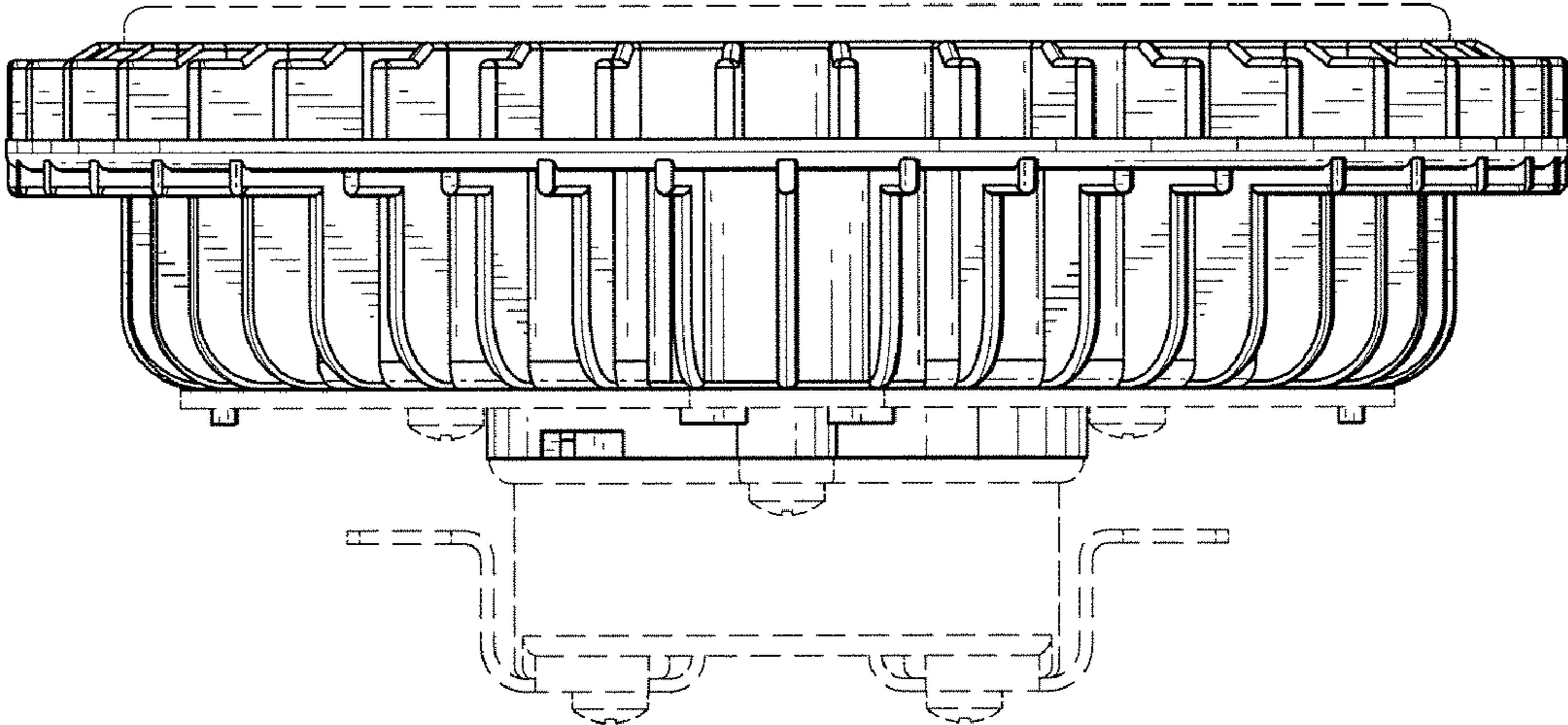


FIG. 4

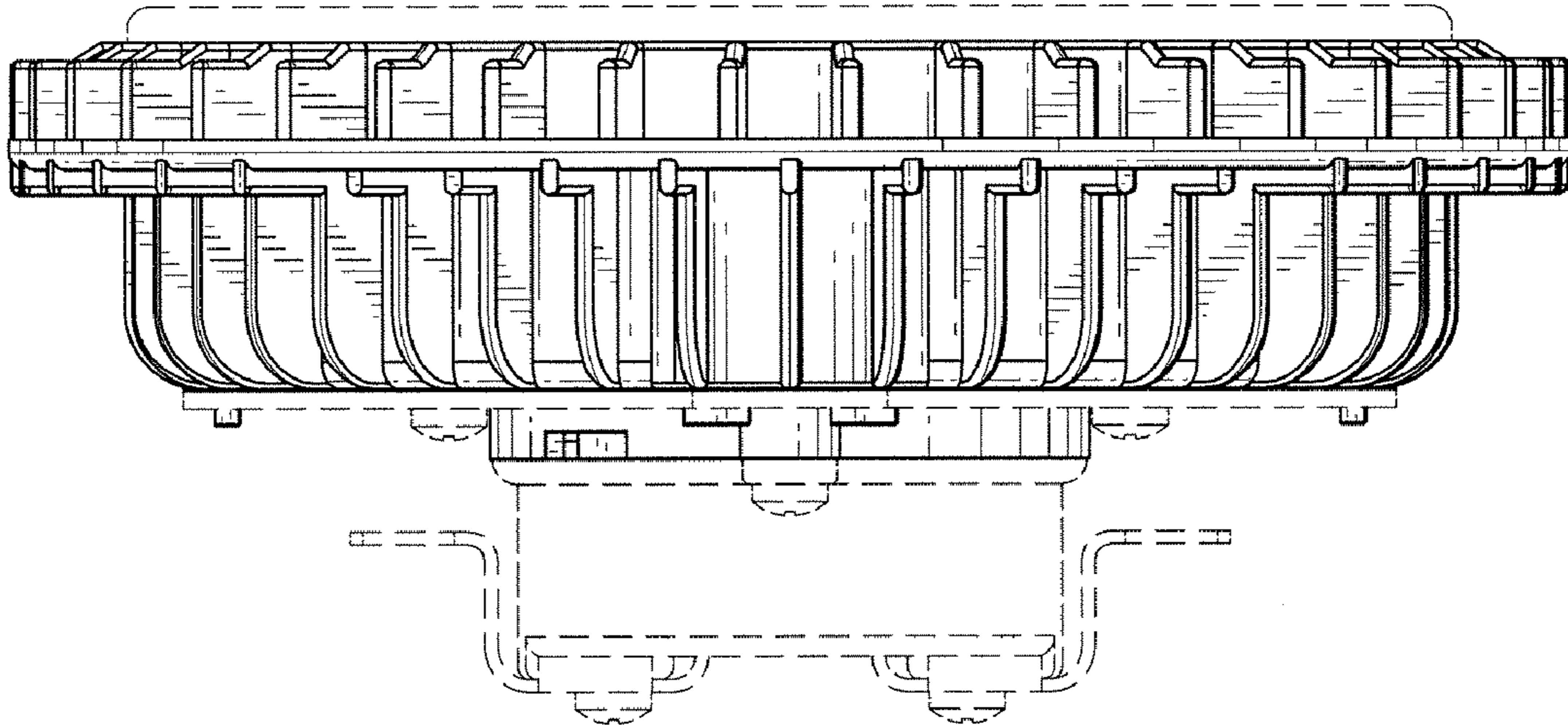


FIG. 5

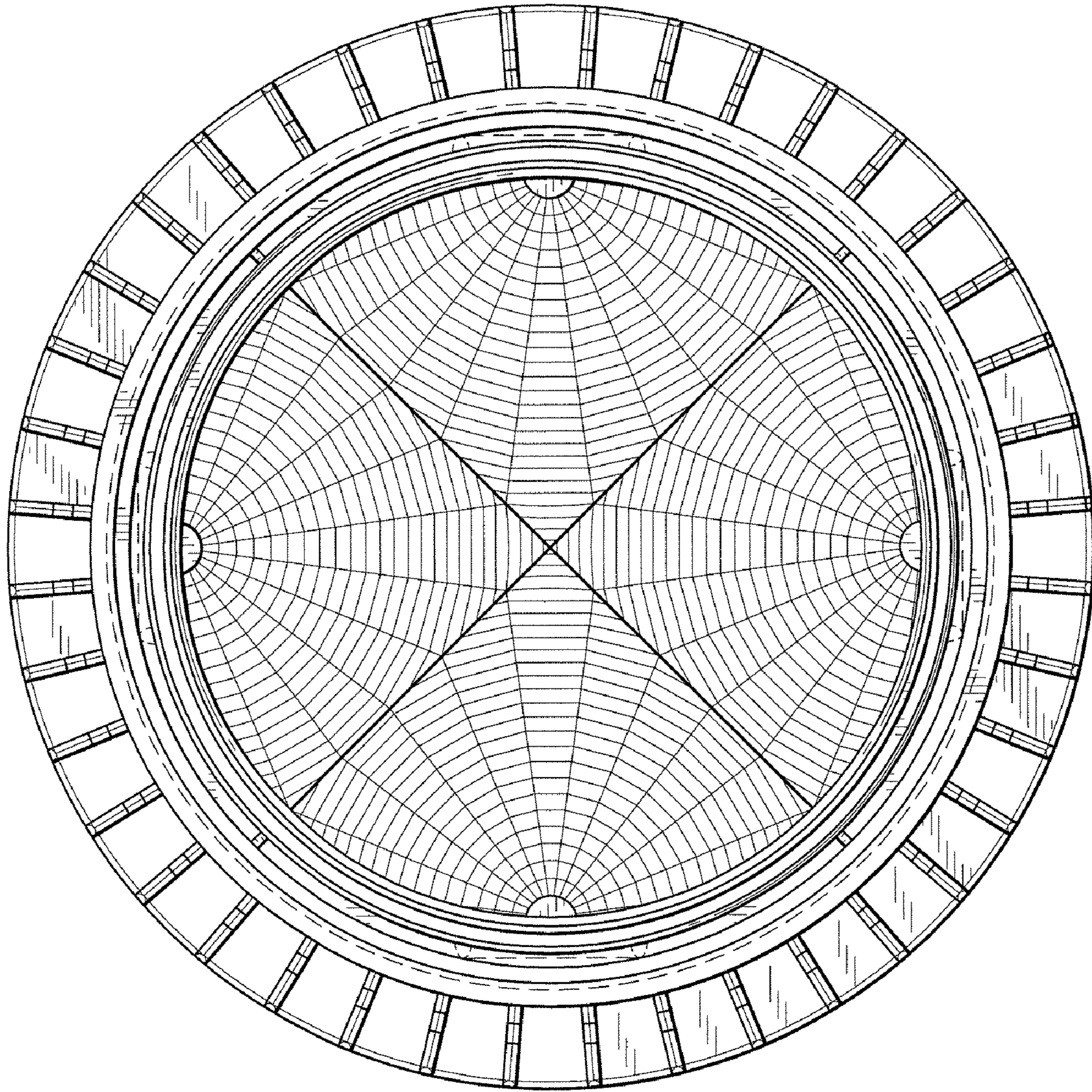


FIG. 6

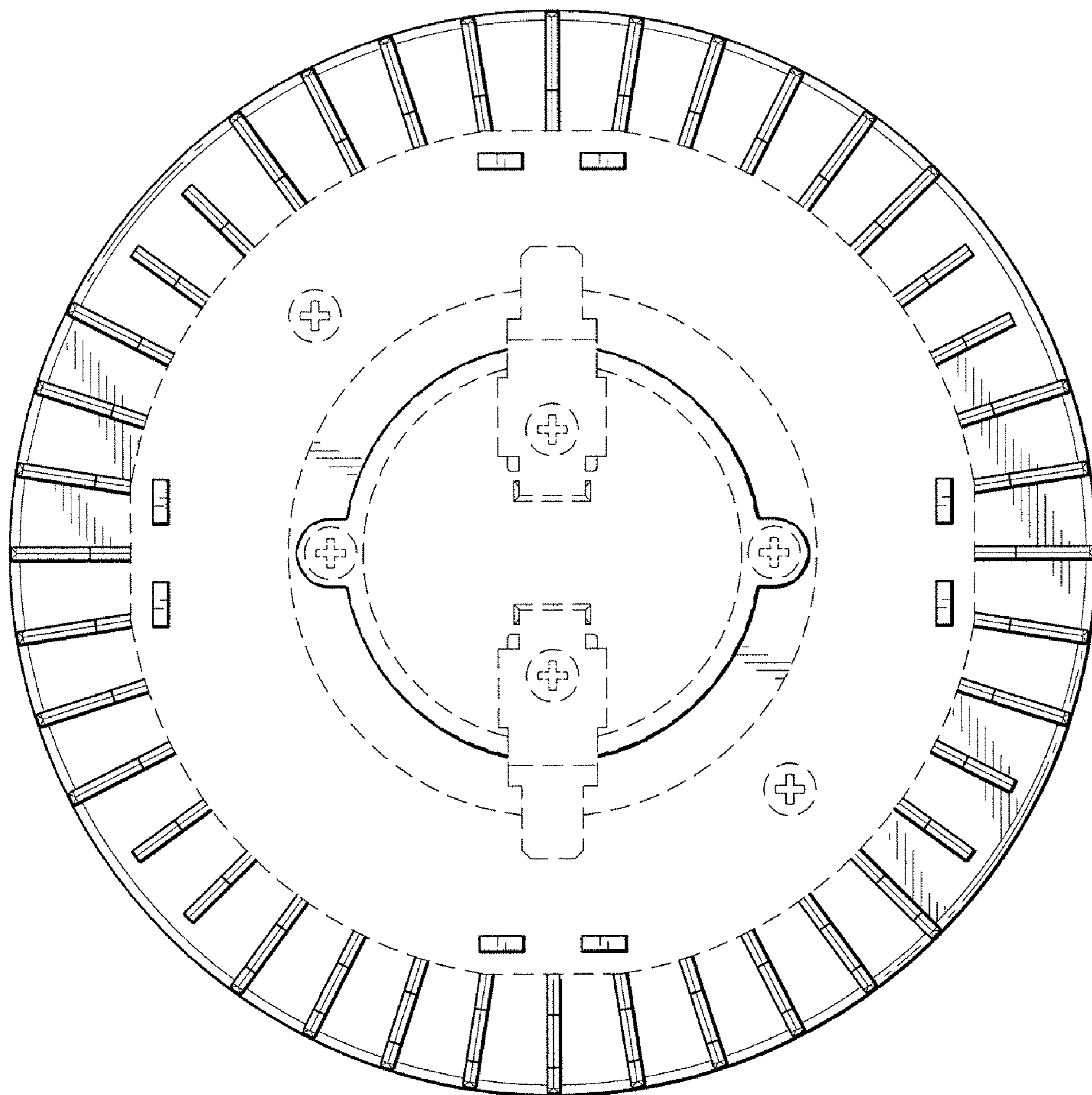


FIG. 7