



US00D629557S

(12) **United States Design Patent**
Tseng et al.

(10) **Patent No.:** **US D629,557 S**

(45) **Date of Patent:** **** Dec. 21, 2010**

(54) **LED-CENTERED REFLECTIVE LAMP**

(75) Inventors: **Shih-Che Tseng**, Hsinchu (TW);
Mao-Sung Hsu, Hsinchu (TW)

(73) Assignee: **Tyntek Corporation**, Hsinchu (TW)

(**) Term: **14 Years**

(21) Appl. No.: **29/366,651**

(22) Filed: **Jul. 28, 2010**

(51) **LOC (9) Cl.** **26-99**

(52) **U.S. Cl.** **D26/118**

(58) **Field of Classification Search** D26/136,
D26/63, 28, 60, 61, 142, 138, 141, 120, 118,
D26/88, 40, 37, 41, 42, 81, 84, 85, 113, 2,
D26/3, 123; 362/105, 475, 473, 219, 240,
362/244, 246, 294, 249.01-249.11, 179;
D13/147, 179, 180, 108, 134; 315/58; D34/27;
D9/425, 431, 756; D8/354; 40/553, 617,
40/492; D20/10, 42; D25/124; 439/22

See application file for complete search history.

(56) **References Cited**

U.S. PATENT DOCUMENTS

3,703,635 A * 11/1972 Burkarth 362/300
D516,229 S * 2/2006 Tang D26/2
D527,119 S * 8/2006 Maxik et al. D26/2

D538,952 S * 3/2007 Maxik et al. D26/2
D545,457 S * 6/2007 Chen D26/2
D560,016 S * 1/2008 Arndt et al. D26/118
D602,182 S * 10/2009 Foo D26/2

* cited by examiner

Primary Examiner—Cathron C Brooks

Assistant Examiner—Kevin K Rudzinski

(74) *Attorney, Agent, or Firm*—Ladas & Parry LLP

(57) **CLAIM**

The ornamental design for LED-centered reflective lamp, as shown and described.

DESCRIPTION

FIG. 1 is a perspective view of LED-centered reflective lamp showing my new design;

FIG. 2 is a front elevational view thereof;

FIG. 3 is a rear elevational view thereof;

FIG. 4 is a left side elevational view thereof;

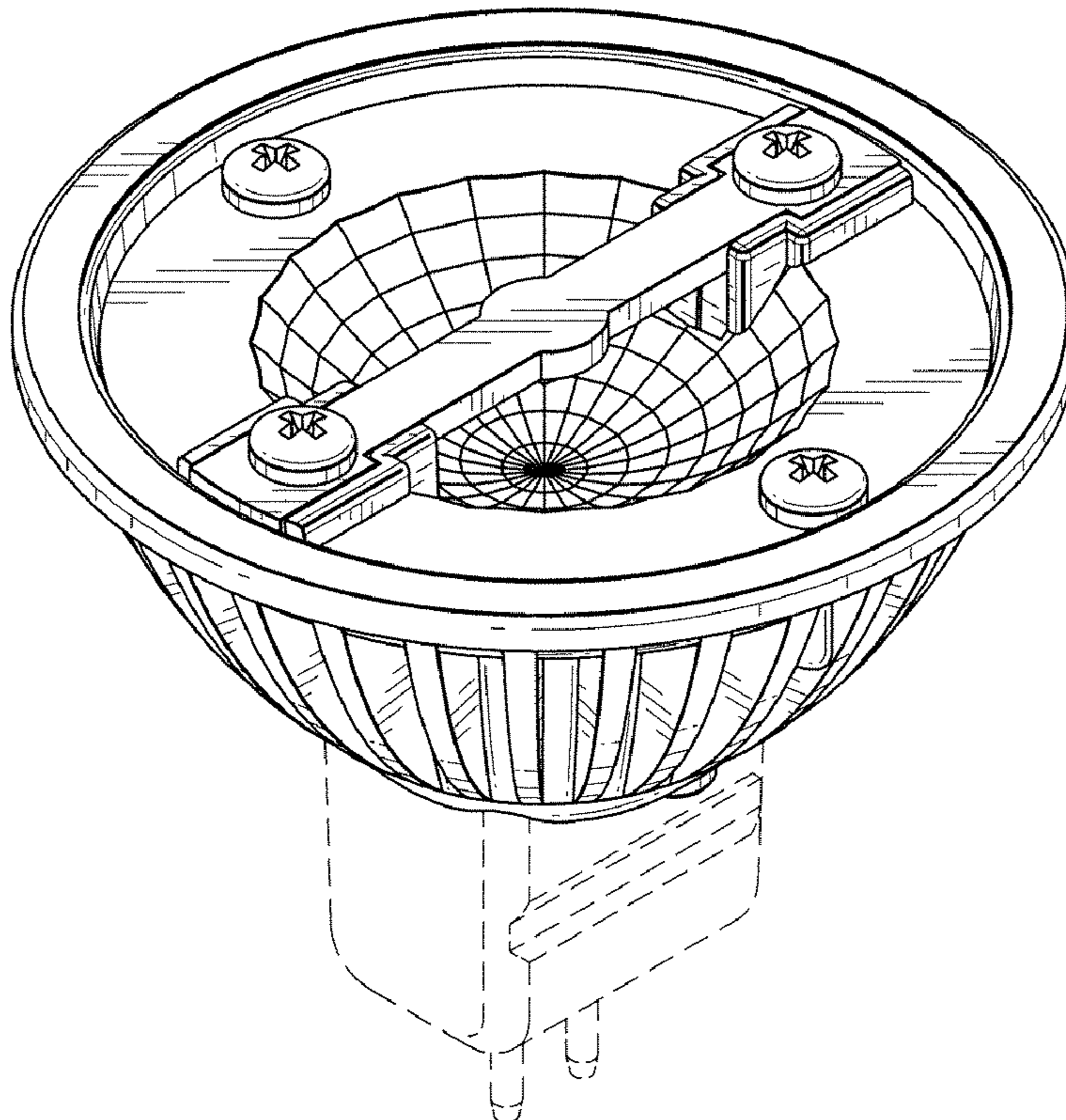
FIG. 5 is a right side elevational view thereof;

FIG. 6 is a top plan view thereof; and,

FIG. 7 is a bottom plan view thereof.

The portions shown in dashed lines in the drawings form no part of the claimed design.

1 Claim, 4 Drawing Sheets



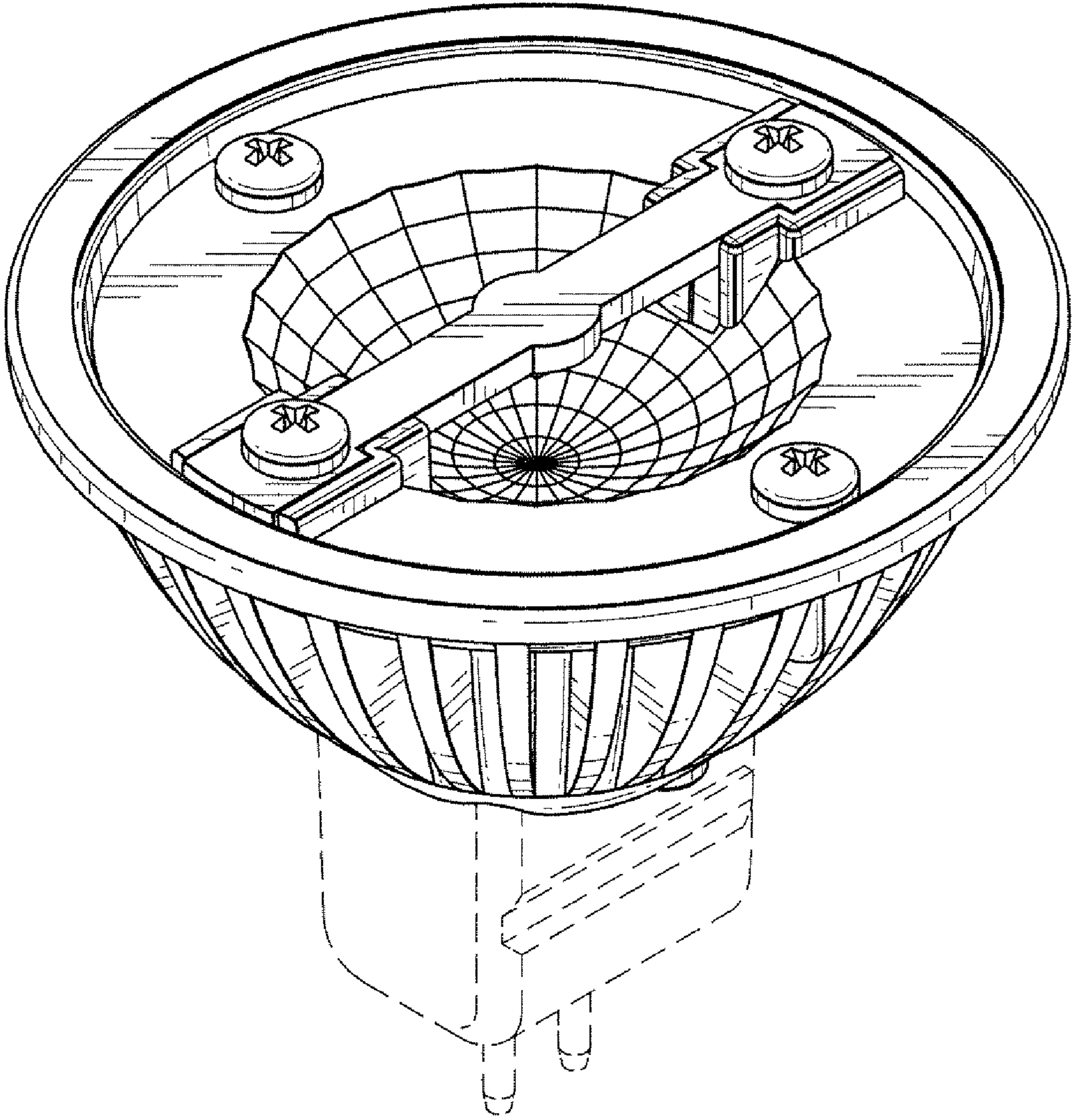


FIG. 1

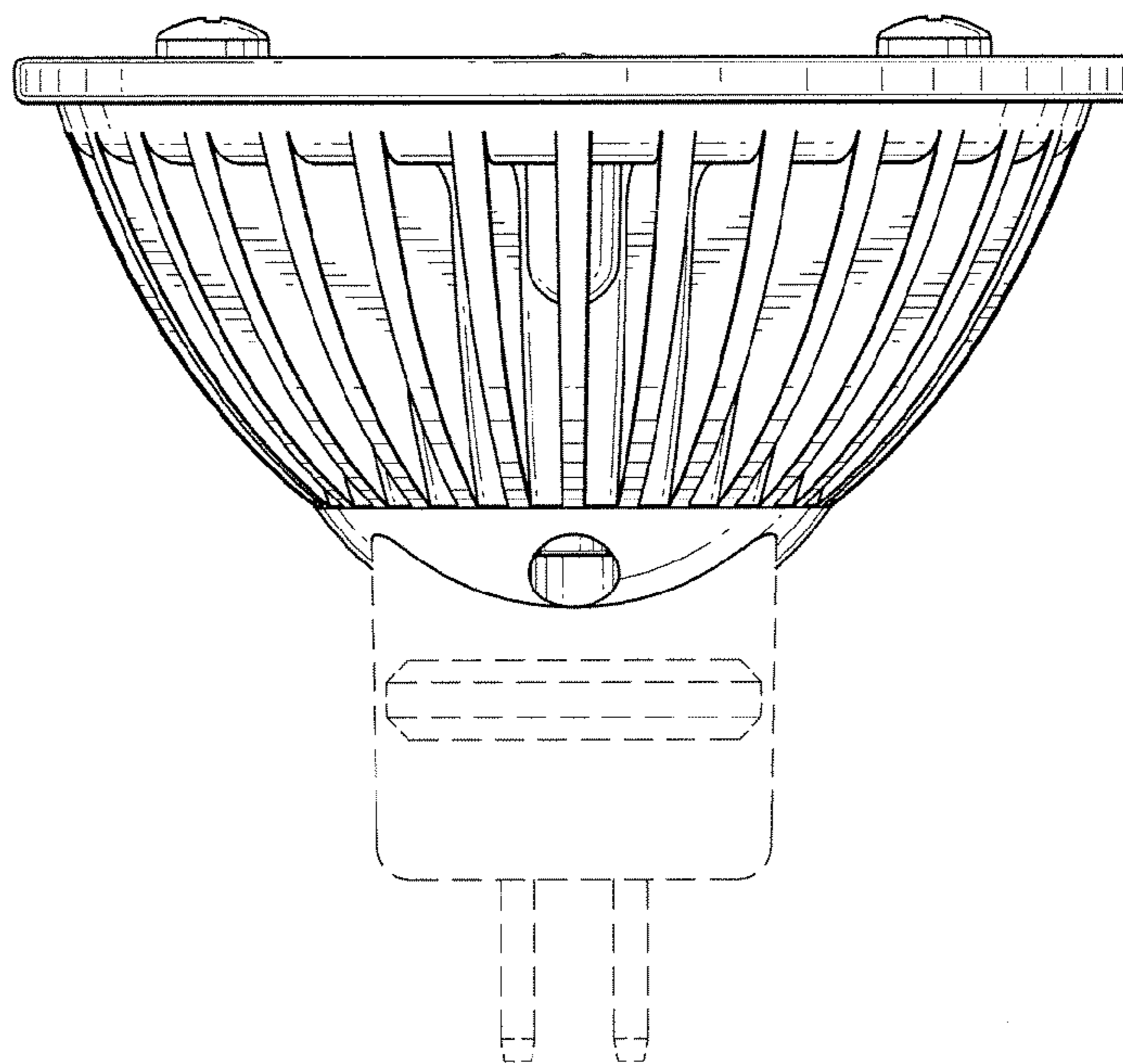


FIG. 2

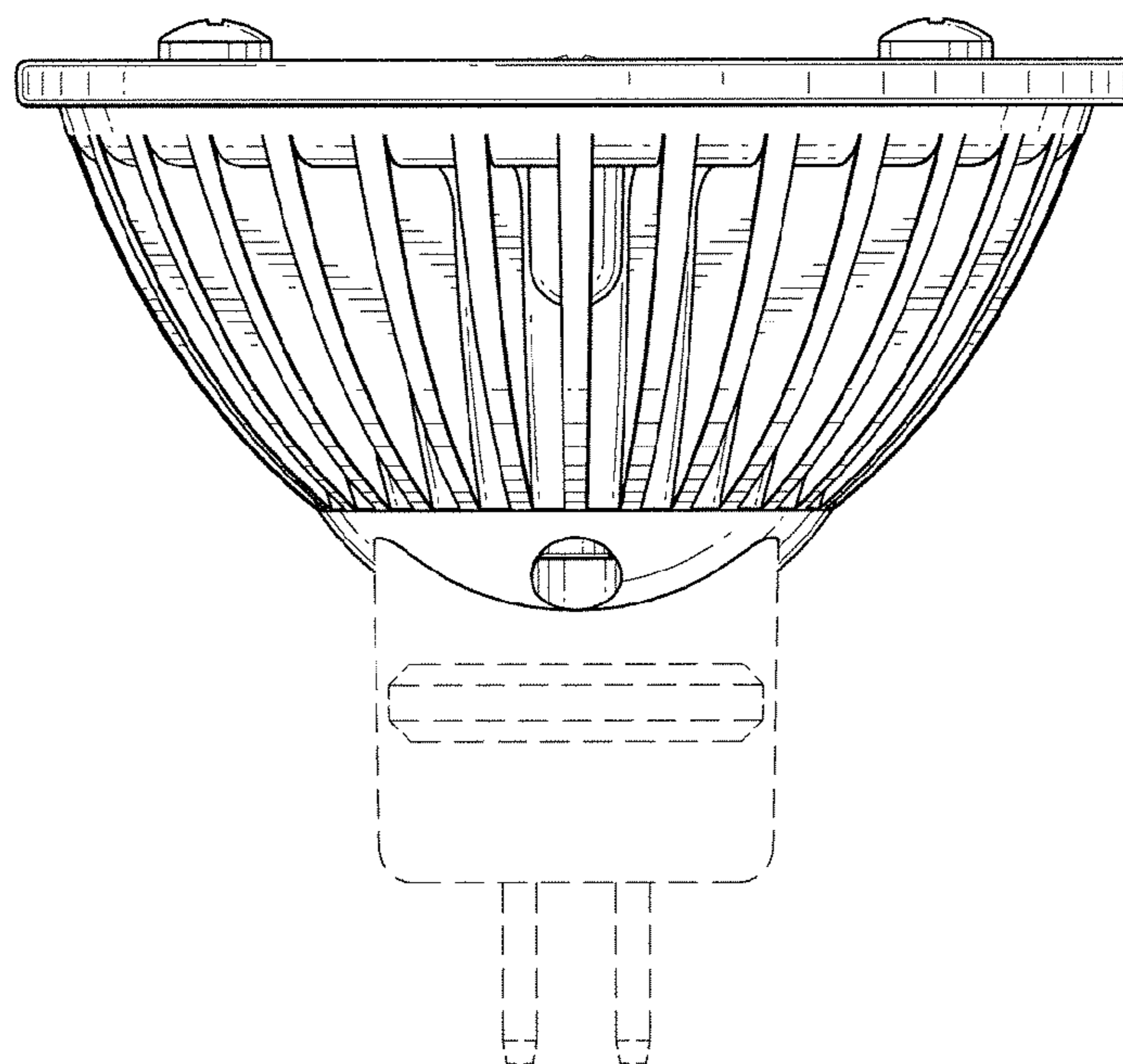


FIG. 3

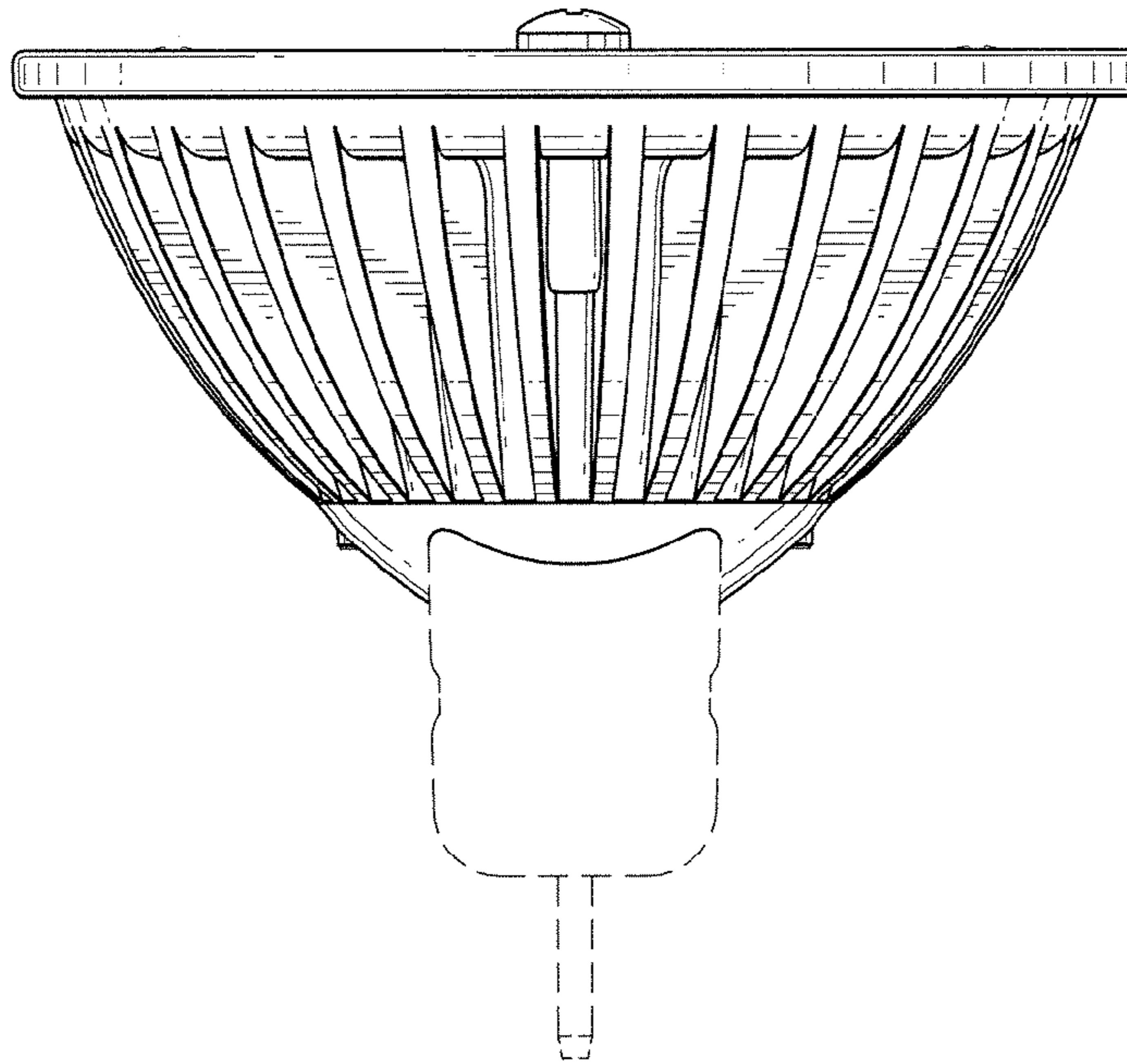


FIG. 4

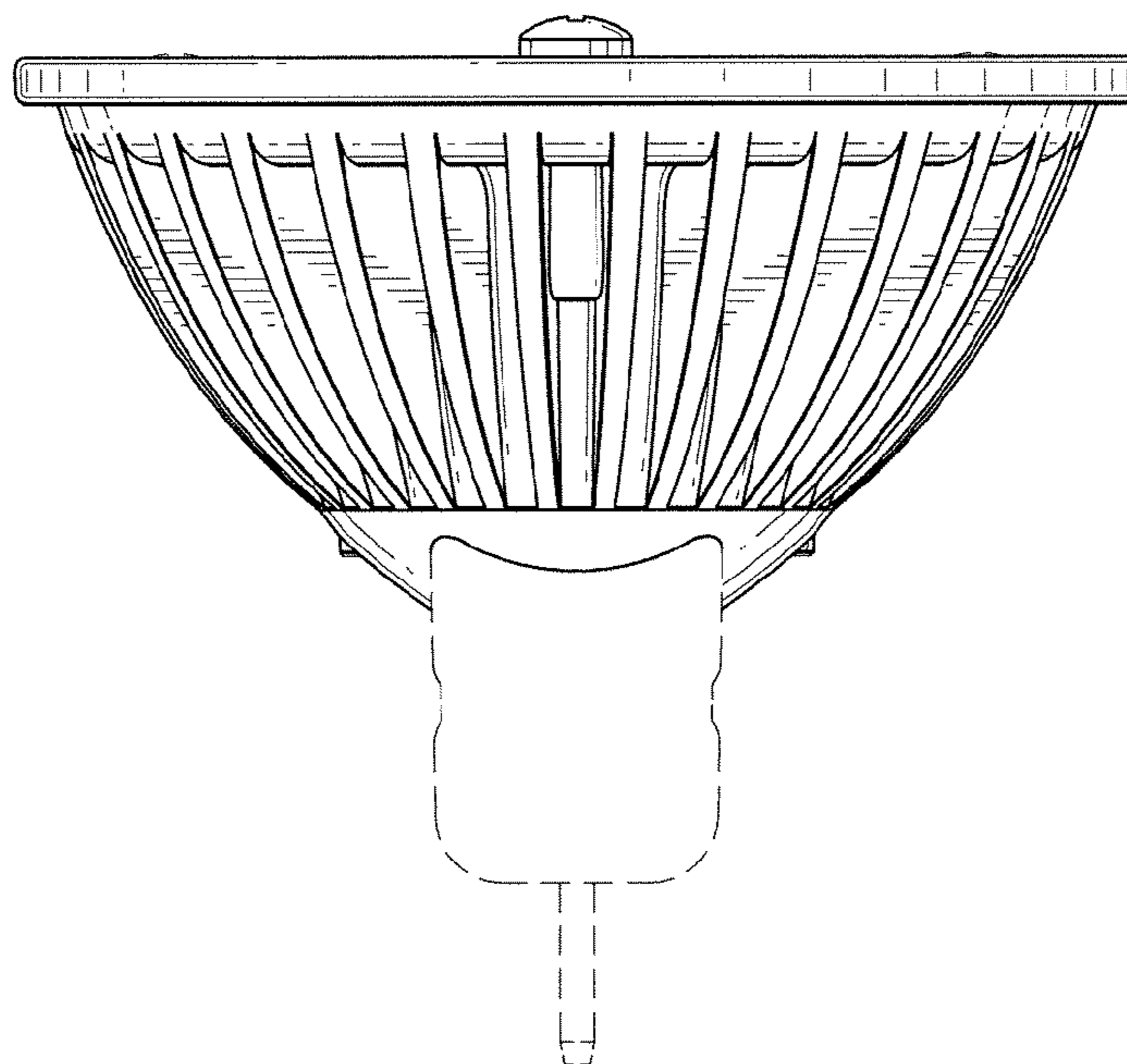


FIG. 5

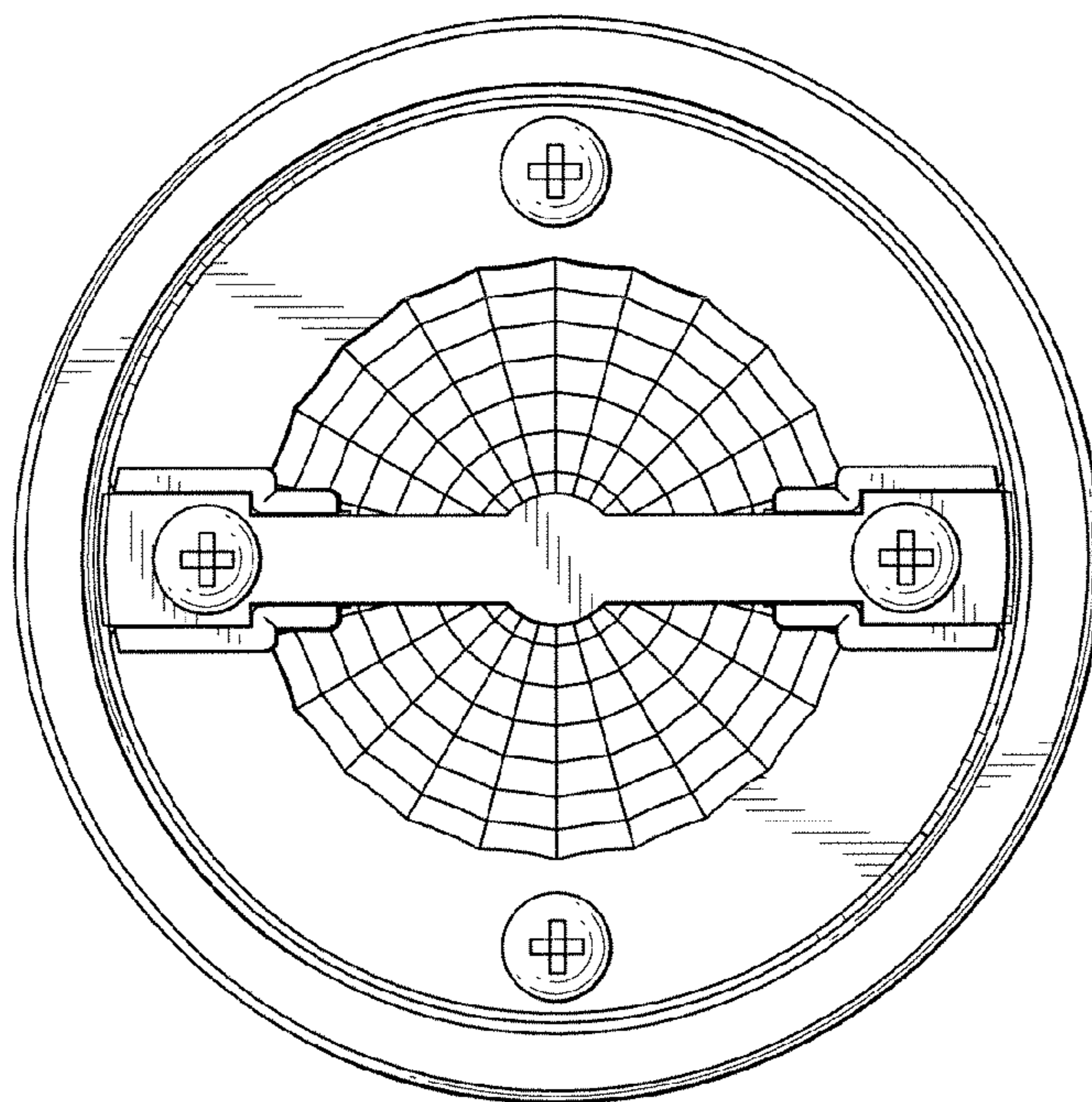


FIG. 6

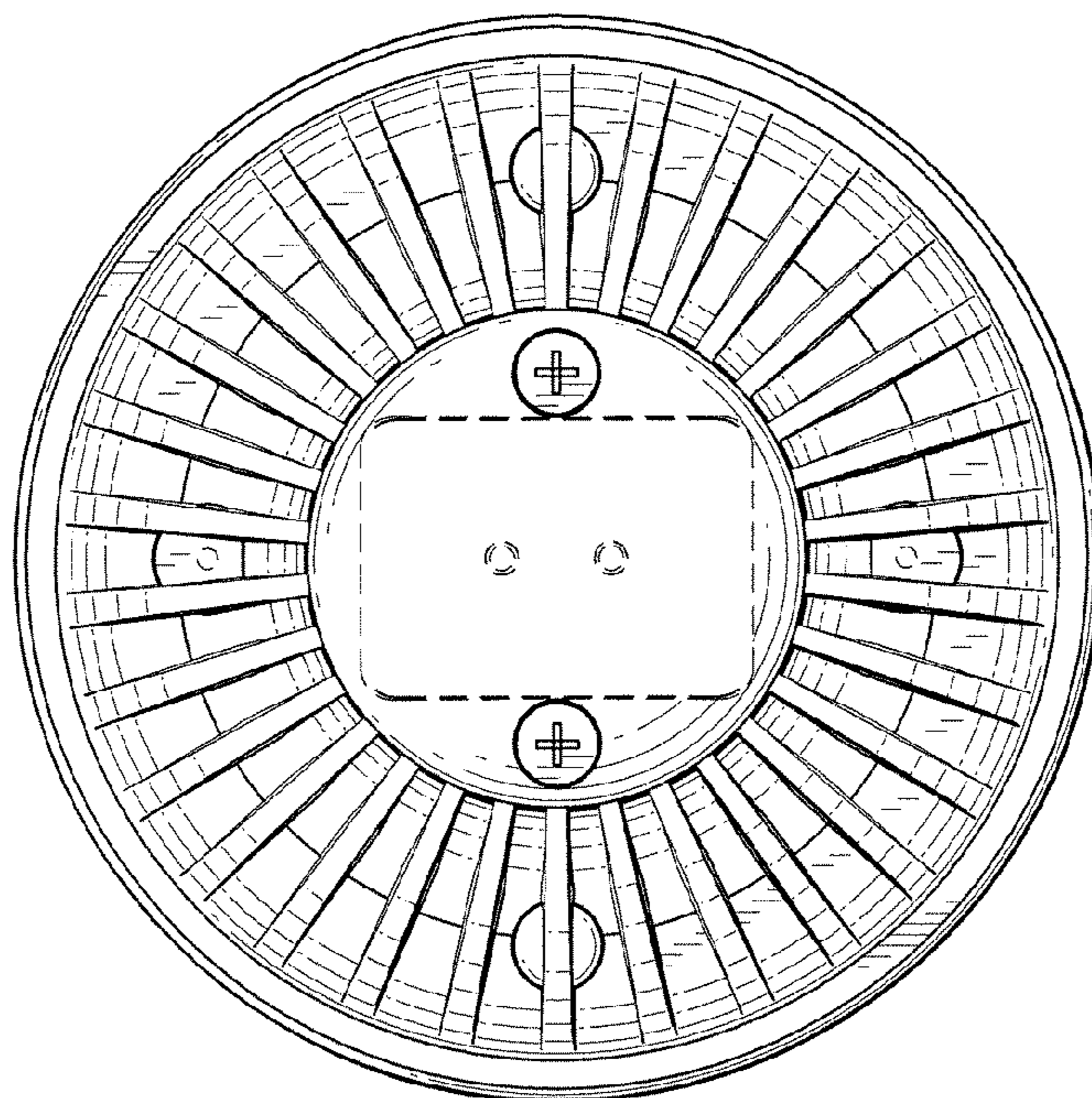


FIG. 7