



US00D629556S

(12) **United States Design Patent**
Alter et al.

(10) **Patent No.:** **US D629,556 S**
(45) **Date of Patent:** **** Dec. 21, 2010**

(54) **LIGHTING ENCLOSURE**

(75) Inventors: **Harry A. Alter**, Granville, OH (US);
Anthony L. Rockwell, Pickerington, OH (US)

(73) Assignee: **Owens Corning Intellectual Capital, LLC**, Toledo, OH (US)

(**) Term: **14 Years**

(21) Appl. No.: **29/343,842**

(22) Filed: **Sep. 21, 2009**

(51) **LOC (9) Cl.** **26-99**

(52) **U.S. Cl.** **D26/118**

(58) **Field of Classification Search** D26/136,
D26/63, 28, 60, 61, 142, 138, 141, 120, 118,
D26/88, 40, 37, 41, 42, 81, 84, 85, 113, 2,
D26/3, 123; 362/105, 475, 473, 219, 240,
362/244, 246, 294, 249.01–249.11, 179;
D13/147, 179, 180, 108, 134; 315/58; D34/27;
D9/425, 431, 756; D8/354; 40/553, 617,
40/492; D20/10, 42; D25/124; 439/22

See application file for complete search history.

(56) **References Cited**

U.S. PATENT DOCUMENTS

863,178	A *	8/1907	Holt et al.	362/361
1,179,720	A *	4/1916	Hart, Jr.	206/0.815
1,970,829	A *	8/1934	Wise	362/282
2,419,510	A *	4/1947	Van Rosen	229/115
3,095,133	A *	6/1963	Vogt	229/406
D213,674	S *	4/1969	Deweese	D9/425
D226,535	S *	3/1973	Anderson	D26/67
D241,014	S *	8/1976	Barnhart et al.	D9/425
4,075,775	A *	2/1978	Shorette	40/553
D250,555	S *	12/1978	Belokin, Jr.	D20/42
4,229,913	A *	10/1980	Corrigan	52/38
4,237,671	A	12/1980	Munson	
4,296,870	A	10/1981	Balkwill et al.	
D265,001	S *	6/1982	Graham	D26/104
4,375,142	A	3/1983	McDonald	
4,400,766	A	8/1983	Munson	

4,754,377	A	6/1988	Wenman	
4,757,158	A	7/1988	Lentz	
5,124,900	A *	6/1992	Varey et al.	362/352
5,128,850	A *	7/1992	Juodvalkis	362/352
D398,429	S *	9/1998	LeBlanc et al.	D34/6
5,855,351	A *	1/1999	Cziraky et al.	248/451
D405,208	S *	2/1999	Walz	D26/86
6,079,856	A	6/2000	Prestier	

(Continued)

FOREIGN PATENT DOCUMENTS

GB	2 270 936	9/1992
----	-----------	--------

OTHER PUBLICATIONS

Firepro: Fire Protective Building Products, (at least as early as May 1, 2010).

Primary Examiner—Cathron C Brooks

Assistant Examiner—Kevin K Rudzinski

(74) *Attorney, Agent, or Firm*—MacMillan, Sobanski & Todd, LLC

(57) **CLAIM**

The ornamental design for a lighting enclosure, as shown and described.

DESCRIPTION

FIG. 1 is a perspective view of a lighting enclosure showing the design;

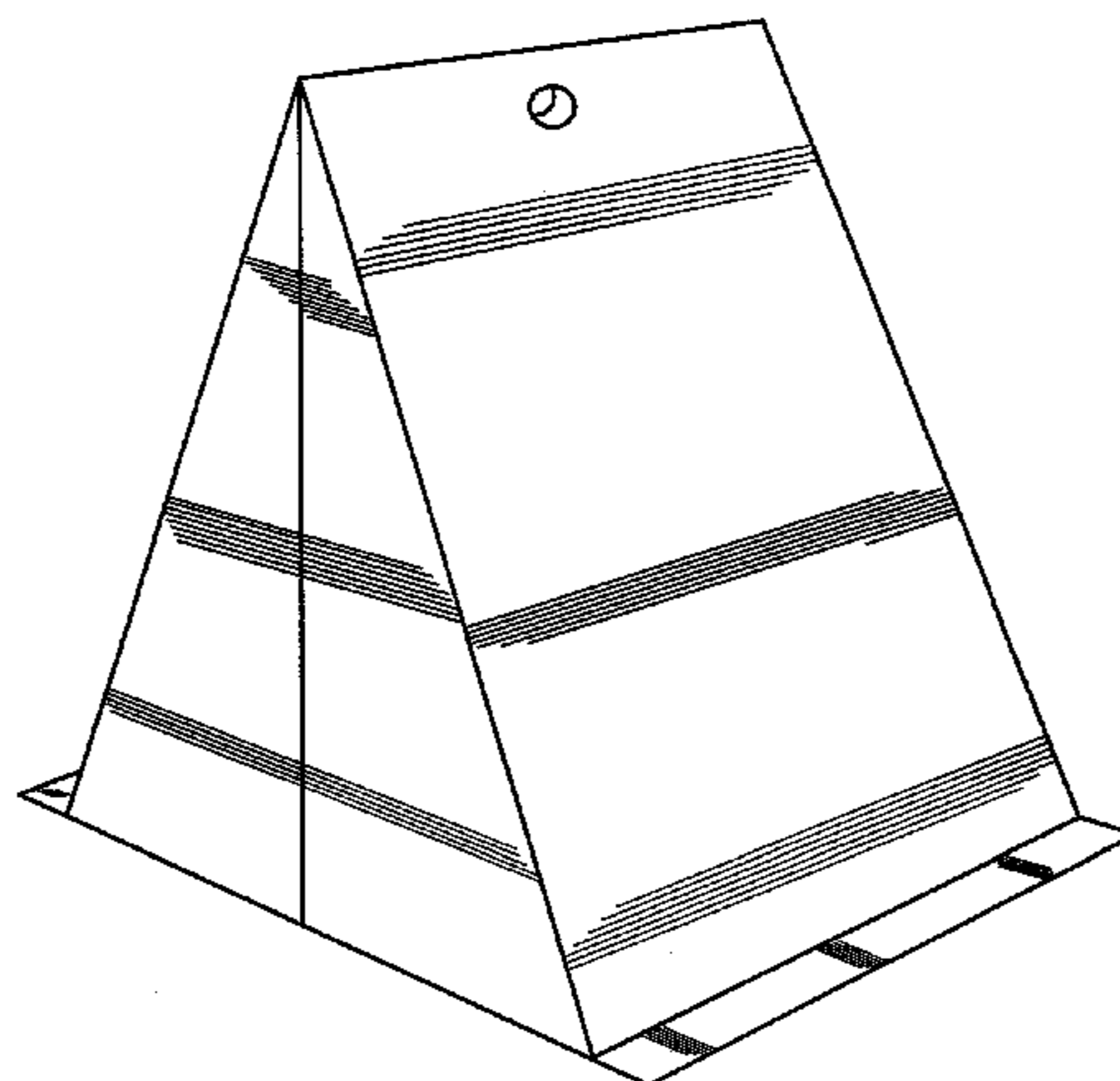
FIG. 2 is a front elevational view thereof; the back elevational view being the same;

FIG. 3 is a right side elevational view thereof; the left side elevational view being the same;

FIG. 4 is top plan view thereof; and,

FIG. 5 is bottom plan view thereof.

1 Claim, 4 Drawing Sheets



US D629,556 S

Page 2

U.S. PATENT DOCUMENTS

6,102,568	A *	8/2000	Davis	383/43				
6,123,438	A	9/2000	Hentz						
6,288,980	B1	9/2001	Meyer						
6,369,326	B1	4/2002	Rippel et al.						
6,412,743	B1 *	7/2002	Fell	248/441.1				
6,425,646	B1 *	7/2002	Andrews	312/114				
6,632,006	B1	10/2003	Rippel et al.						
D494,701	S *	8/2004	Campbell	D26/85				
6,779,910	B1	8/2004	Pelton						
6,838,618	B2	1/2005	Newbold et al.						
6,872,885	B1	3/2005	Newbold, Jr.						
D508,538	S *	8/2005	Furr	D20/10				
D527,134	S *	8/2006	Bagen	D26/71				
7,108,394	B1	9/2006	Swarens et al.						
7,114,294	B2	10/2006	Newbold et al.						
7,193,152	B2	3/2007	Moselle						
7,208,677	B2	4/2007	Moselle						
7,320,536	B2	1/2008	Petrakis et al.						
D566,876	S *	4/2008	Allen et al.	D26/85				
D577,146	S *	9/2008	Haugaard et al.	D26/118				
D581,254	S *	11/2008	Bucci	D8/354				
2003/0159322	A1 *	8/2003	Mead	40/617				
2003/0177680	A1 *	9/2003	Sender	40/617				
2004/0257803	A1 *	12/2004	Kermoade	362/223				
2005/0014112	A1 *	1/2005	Fentress	434/211				
2007/0268708	A1	11/2007	O'Brien						
2008/0137327	A1 *	6/2008	Hodulik	362/183				

* cited by examiner

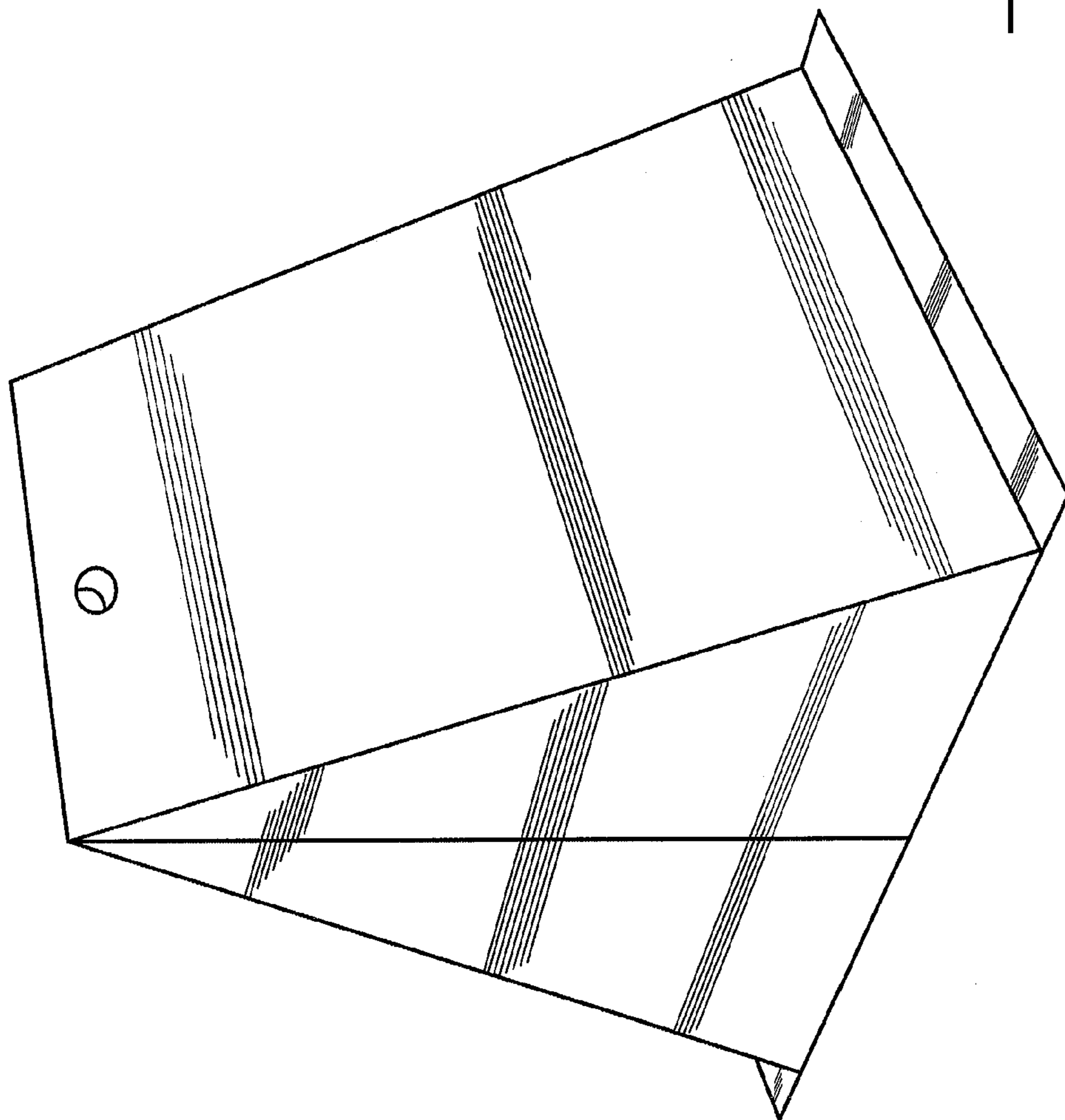


FIG. 1

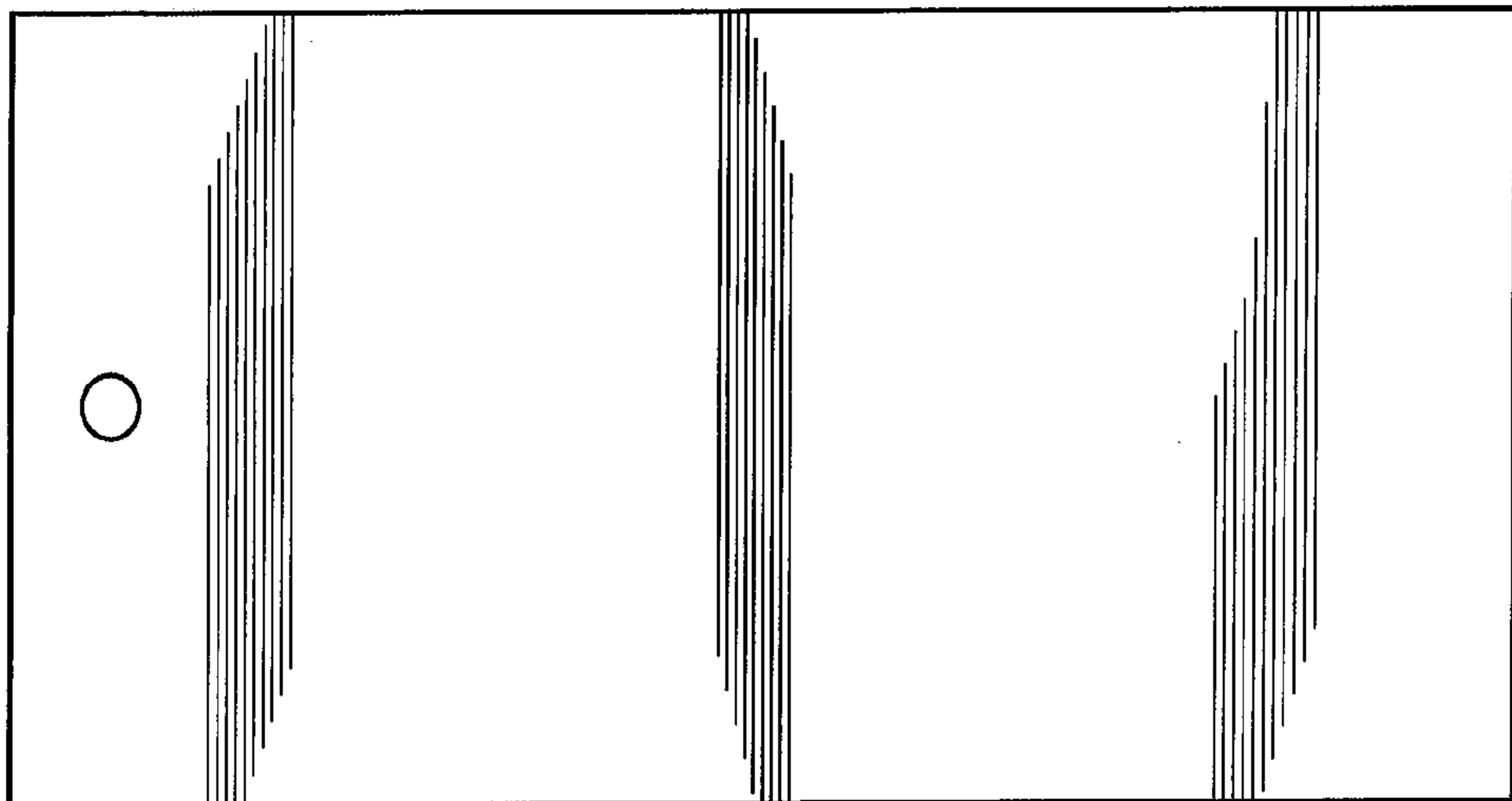


FIG. 3

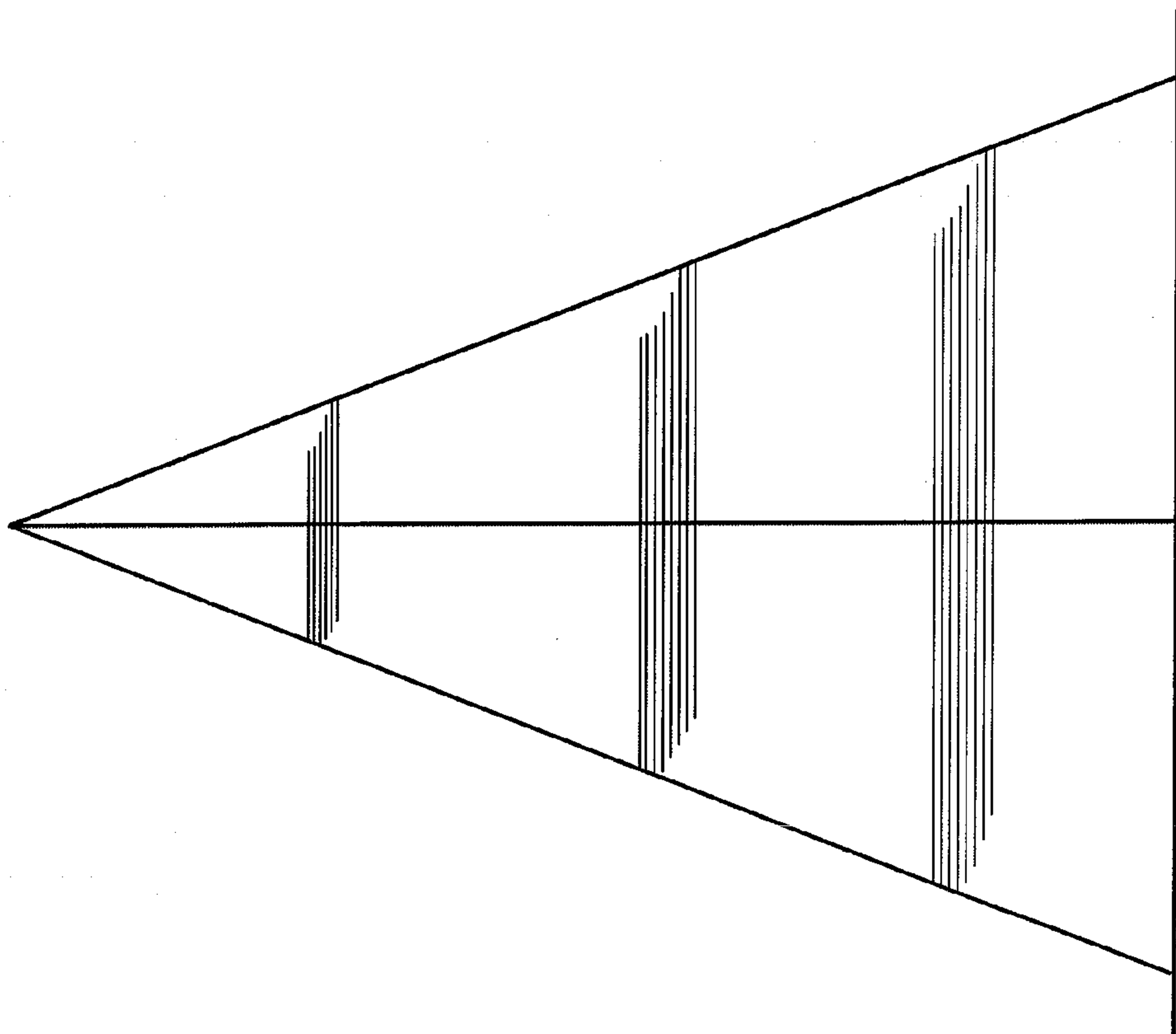


FIG. 2

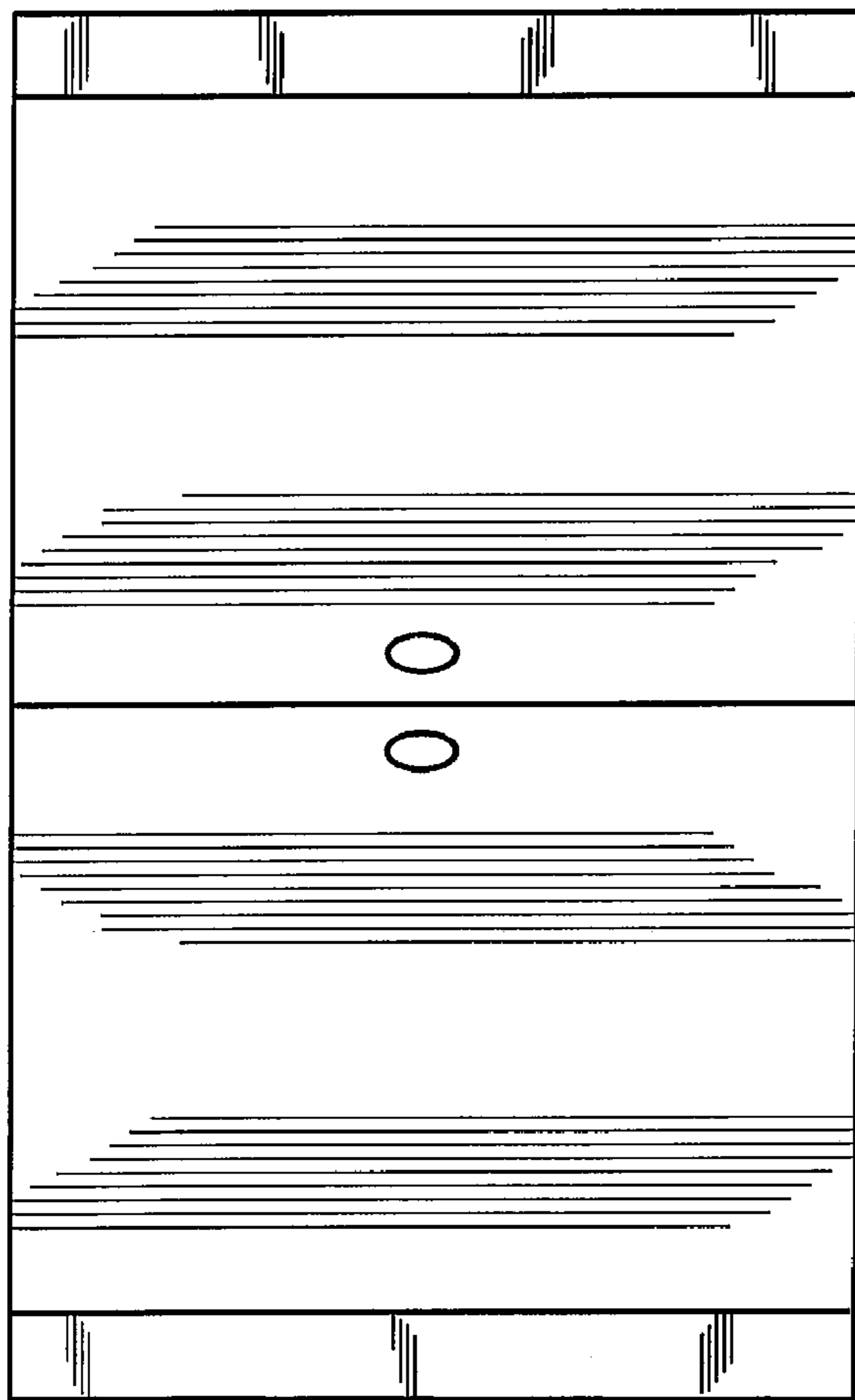


FIG. 4

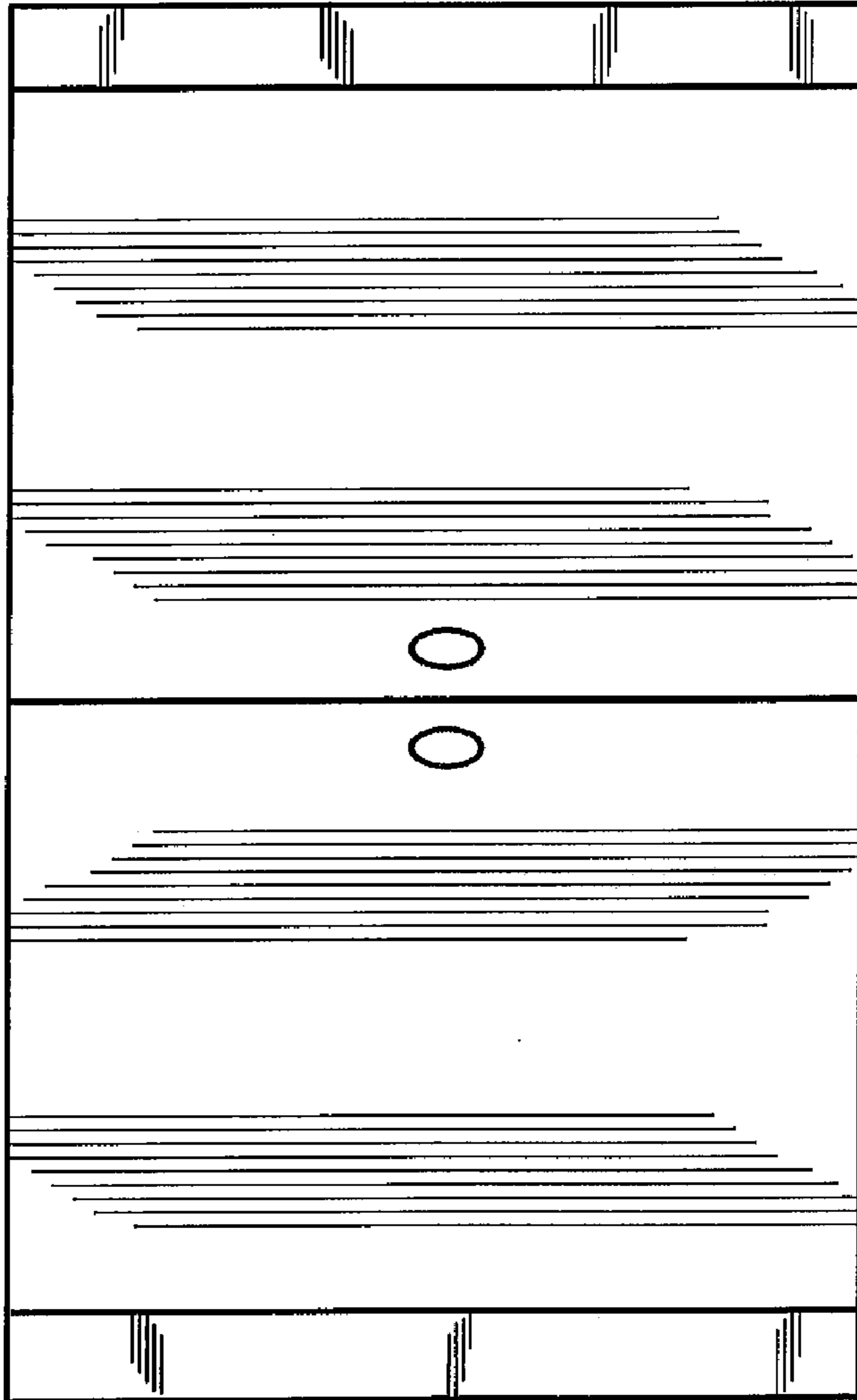


FIG. 5