



US00D629554S

(12) **United States Design Patent**  
**Gielen**

(10) **Patent No.:** **US D629,554 S**

(45) **Date of Patent:** **\*\* Dec. 21, 2010**

(54) **LUMINAIRE**

(75) Inventor: **Wim Gielen**, Antwerp (BE)

(73) Assignee: **Koninklijke Philips Electronics N.V.**,  
Eindhoven (NL)

(\*\*) Term: **14 Years**

(21) Appl. No.: **29/344,679**

(22) Filed: **Oct. 2, 2009**

(51) **LOC (9) Cl.** ..... **26-03**

(52) **U.S. Cl.** ..... **D26/76; D26/80**

(58) **Field of Classification Search** ..... D26/72,  
D26/74, 75, 76, 77, 78, 79, 80, 81, 82, 83,  
D26/84, 85, 86, 88, 89, 90, 91, 1, 2, 3, 24,  
D26/56; D13/180, 182; 362/555, 576, 147,  
362/150, 217.01, 219, 217.02, 217.03, 217.04,  
362/217.05, 217.08, 217.09, 260, 364, 365,  
362/366, 404, 800

See application file for complete search history.

(56) **References Cited**

**U.S. PATENT DOCUMENTS**

D166,034 S \* 2/1952 Gray ..... D26/85  
D270,377 S \* 8/1983 Maguire ..... D26/75  
D359,374 S \* 6/1995 Weinstock ..... D26/80

D374,736 S \* 10/1996 DeWinter ..... D26/72  
D397,486 S \* 8/1998 Engle et al. .... D26/87  
D397,818 S \* 9/1998 Herst et al. .... D26/76  
D563,012 S \* 2/2008 Citterio ..... D26/63  
D580,087 S \* 11/2008 Couture et al. .... D26/76  
D595,887 S \* 7/2009 Blom ..... D26/76  
D605,787 S \* 12/2009 Barton et al. .... D26/3  
D606,229 S \* 12/2009 Johansen et al. .... D26/80  
D612,973 S \* 3/2010 Munstermann ..... D26/80  
2009/0267533 A1 \* 10/2009 Lee ..... 315/294

\* cited by examiner

*Primary Examiner*—Angela J Lee

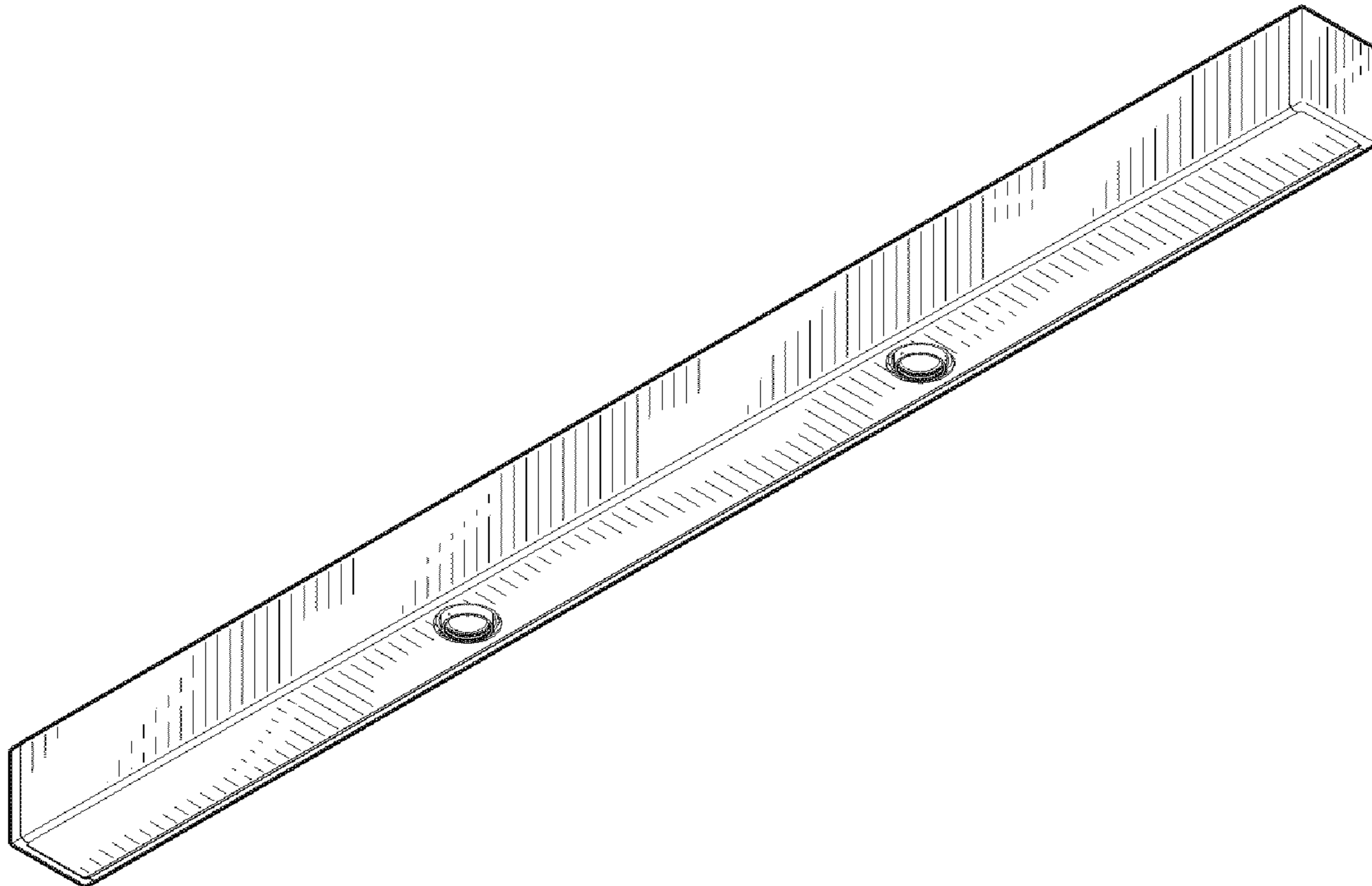
(57) **CLAIM**

The ornamental design for a luminaire, as shown.

**DESCRIPTION**

FIG. 1 is a perspective view showing my design;  
FIG. 2 is a front elevational view thereof;  
FIG. 3 is a rear elevational view thereof;  
FIG. 4 is a right side elevational view thereof;  
FIG. 5 is a left side elevational view thereof;  
FIG. 6 is a top plan view thereof; and,  
FIG. 7 is a bottom plan view thereof.

**1 Claim, 3 Drawing Sheets**



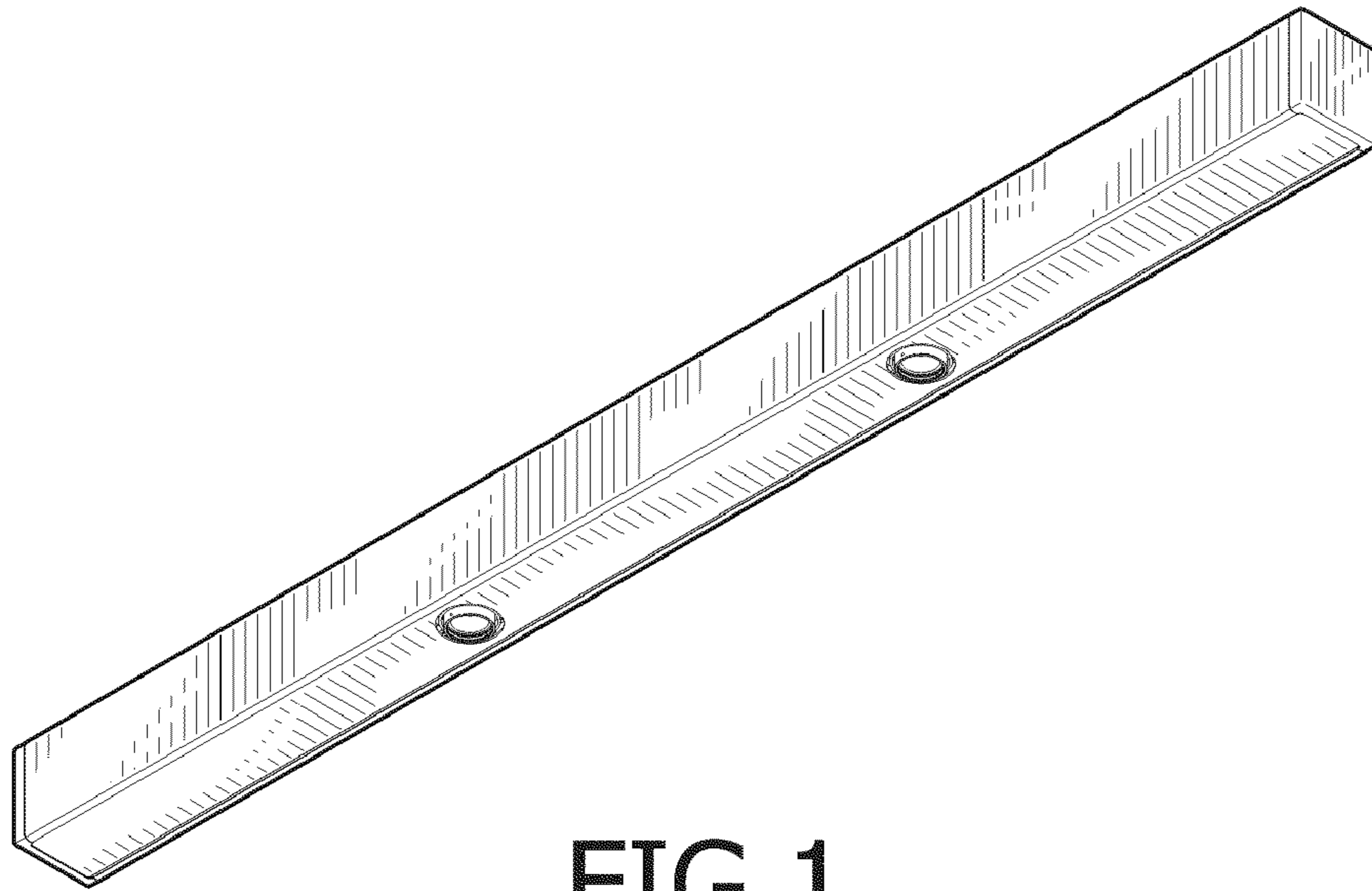


FIG. 1



FIG. 2



FIG. 3



FIG. 4



FIG. 5



FIG. 6

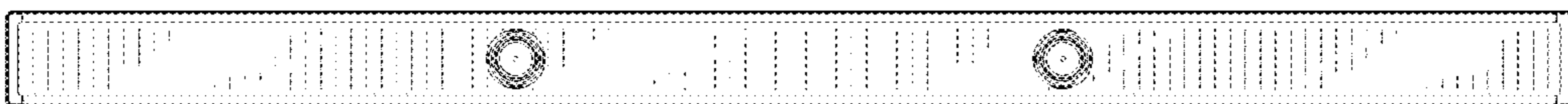


FIG. 7