



US00D629552S

(12) **United States Design Patent**
Zhang

(10) **Patent No.:** **US D629,552 S**

(45) **Date of Patent:** **** Dec. 21, 2010**

(54) **LED LAMP**

(75) Inventor: **Wen-Xiang Zhang**, Shenzhen (CN)

(73) Assignee: **Foxconn Technology Co., Ltd.**,
Tucheng, Taipei County (TW)

(**) Term: **14 Years**

(21) Appl. No.: **29/340,656**

(22) Filed: **Jul. 22, 2009**

(51) **LOC (9) Cl.** **26-03**

(52) **U.S. Cl.** **D26/71**

(58) **Field of Classification Search** D26/67-71,
D26/85, 92; 362/145, 183, 231, 240, 249.02,
362/249.03, 249.04, 249.06, 249.16, 431
See application file for complete search history.

(56) **References Cited**

U.S. PATENT DOCUMENTS

| | | | | |
|---------------|---------|--------------|-------|---------|
| D201,700 S * | 7/1965 | Stockwell | | D26/71 |
| D236,909 S * | 9/1975 | Richilano | | D26/68 |
| D266,958 S * | 11/1982 | Gernhardt | | D26/92 |
| D321,950 S * | 11/1991 | Enthoven | | D26/92 |
| 5,632,551 A * | 5/1997 | Roney et al. | | 362/485 |
| D527,134 S * | 8/2006 | Bagen | | D26/71 |

| | | | | |
|-------------------|---------|---------------|-------|---------|
| D573,743 S * | 7/2008 | Yan et al. | | D26/71 |
| D576,343 S * | 9/2008 | Reyhan et al. | | D26/92 |
| D578,698 S * | 10/2008 | Zheng | | D26/71 |
| D592,345 S * | 5/2009 | Gill | | D26/71 |
| 7,682,050 B2 * | 3/2010 | Xiang et al. | | 362/294 |
| 7,726,846 B2 * | 6/2010 | Yang et al. | | 362/294 |
| 2010/0128483 A1 * | 5/2010 | Reo et al. | | 362/294 |

* cited by examiner

Primary Examiner—Clare E Heflin

(74) *Attorney, Agent, or Firm*—Frank R. Niranjana

(57) **CLAIM**

The ornamental design for an LED lamp, as shown.

DESCRIPTION

FIG. 1 is a perspective view of an LED lamp showing my new design.

FIG. 2 is a front elevational view thereof.

FIG. 3 is a rear elevational view thereof.

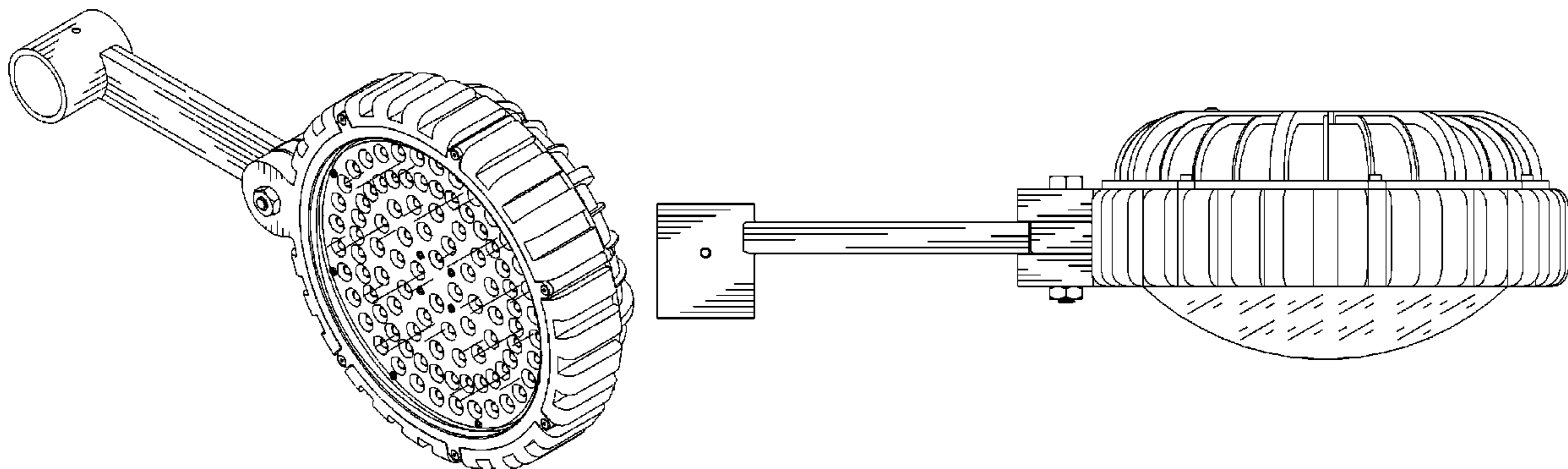
FIG. 4 is a left-side, elevational view thereof.

FIG. 5 is a right-side, elevational view thereof.

FIG. 6 is a top plan view thereof; and,

FIG. 7 is a bottom plan view thereof.

1 Claim, 7 Drawing Sheets



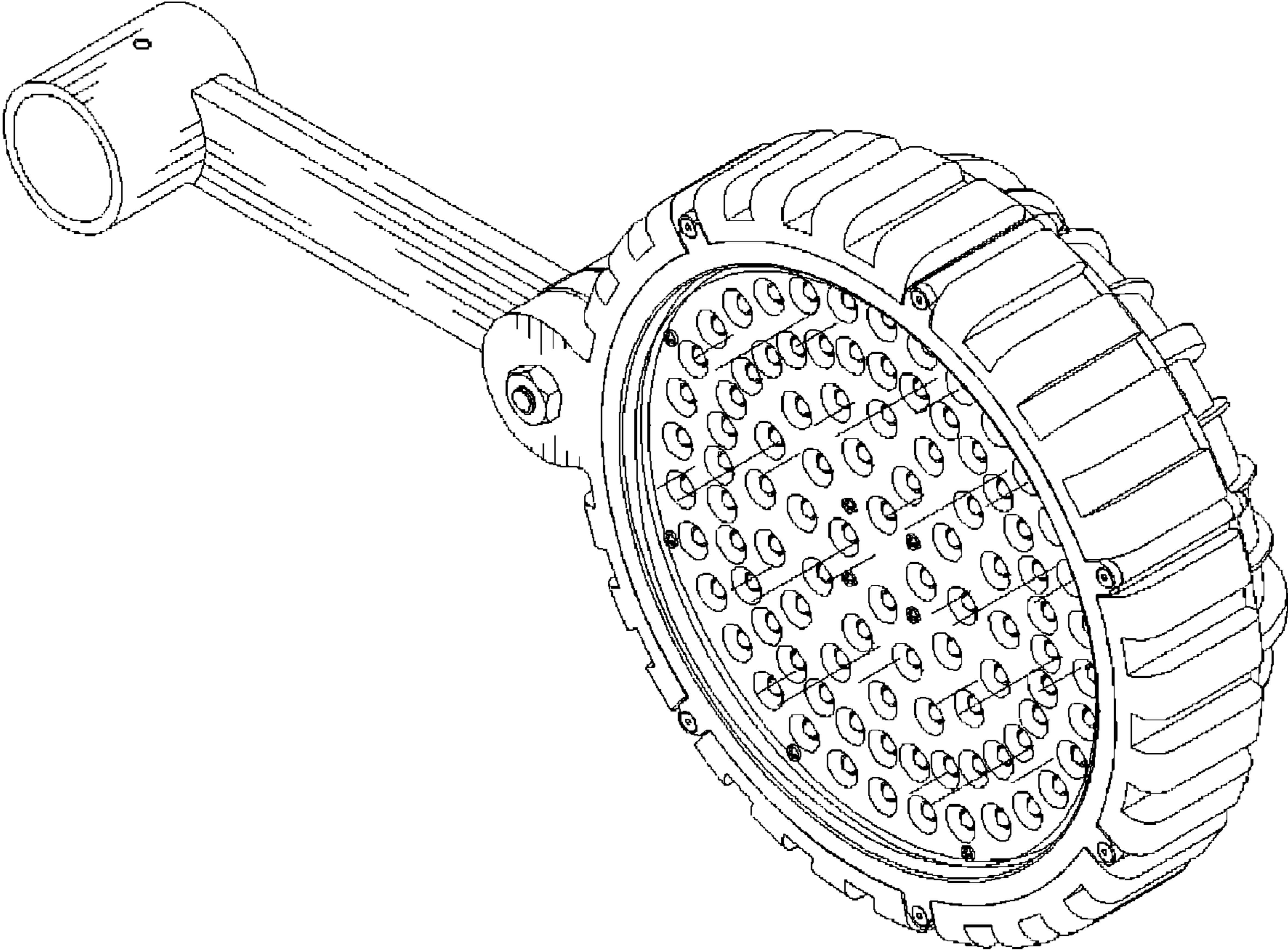


FIG. 1

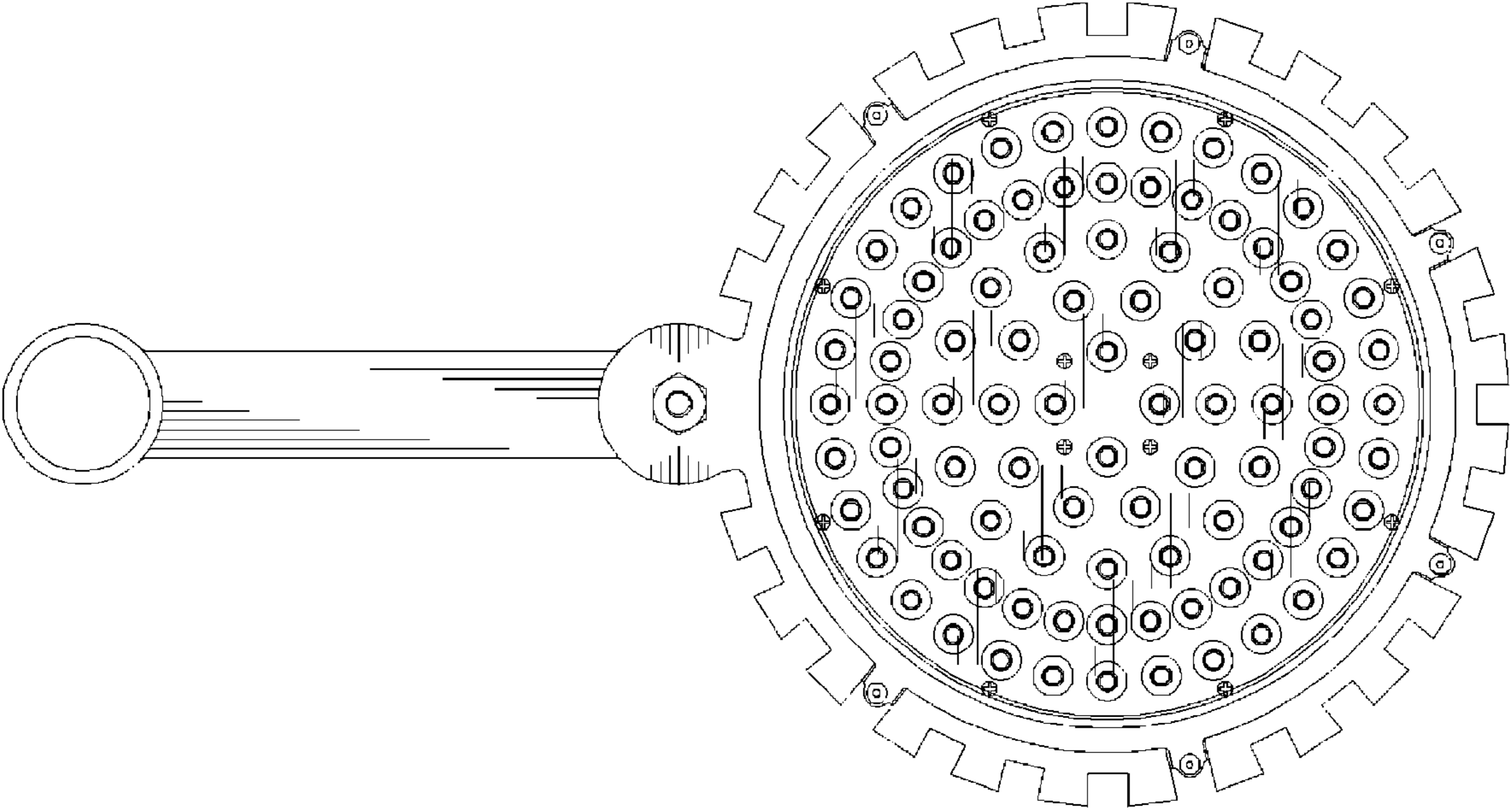


FIG. 2

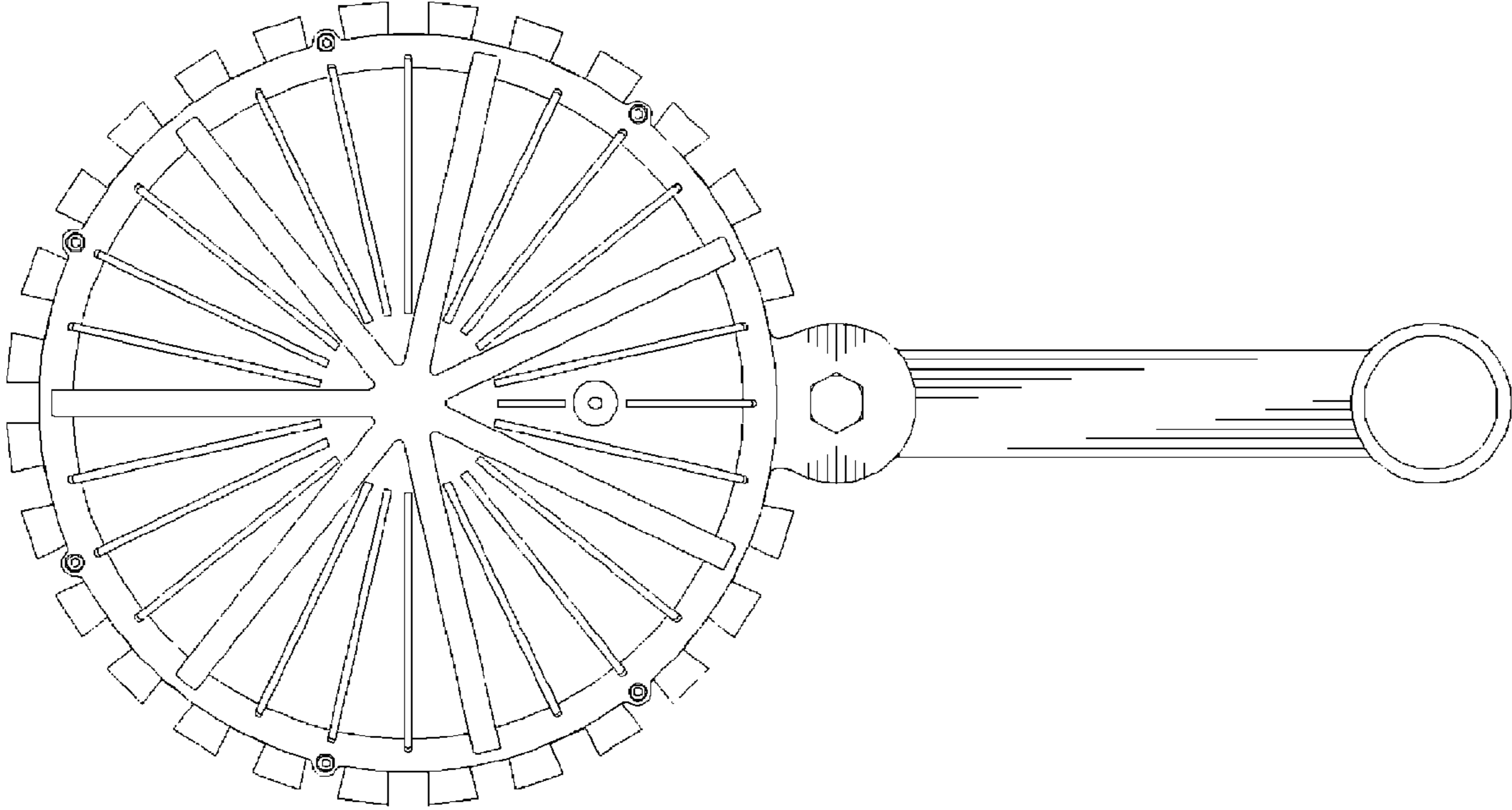


FIG. 3

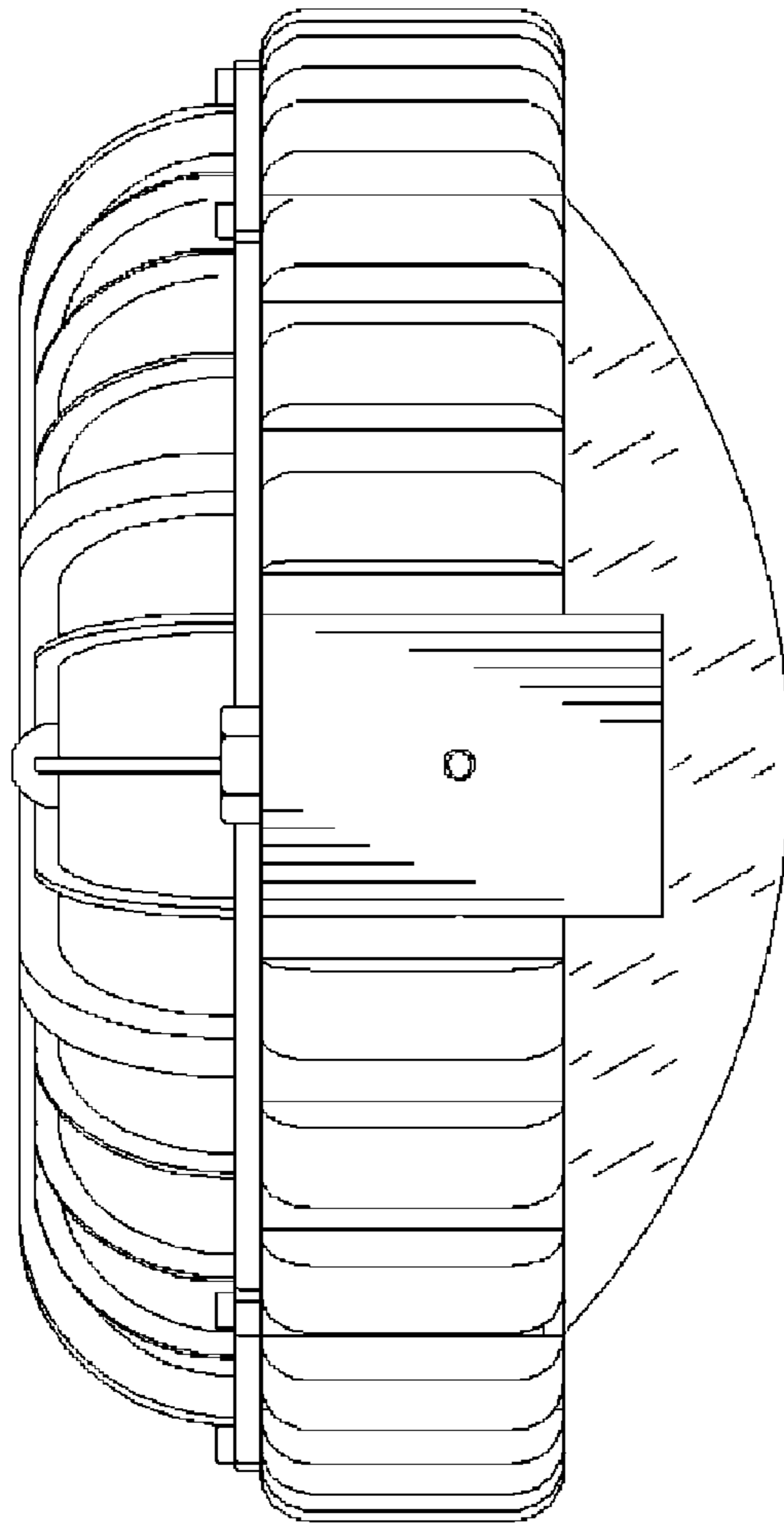


FIG. 4

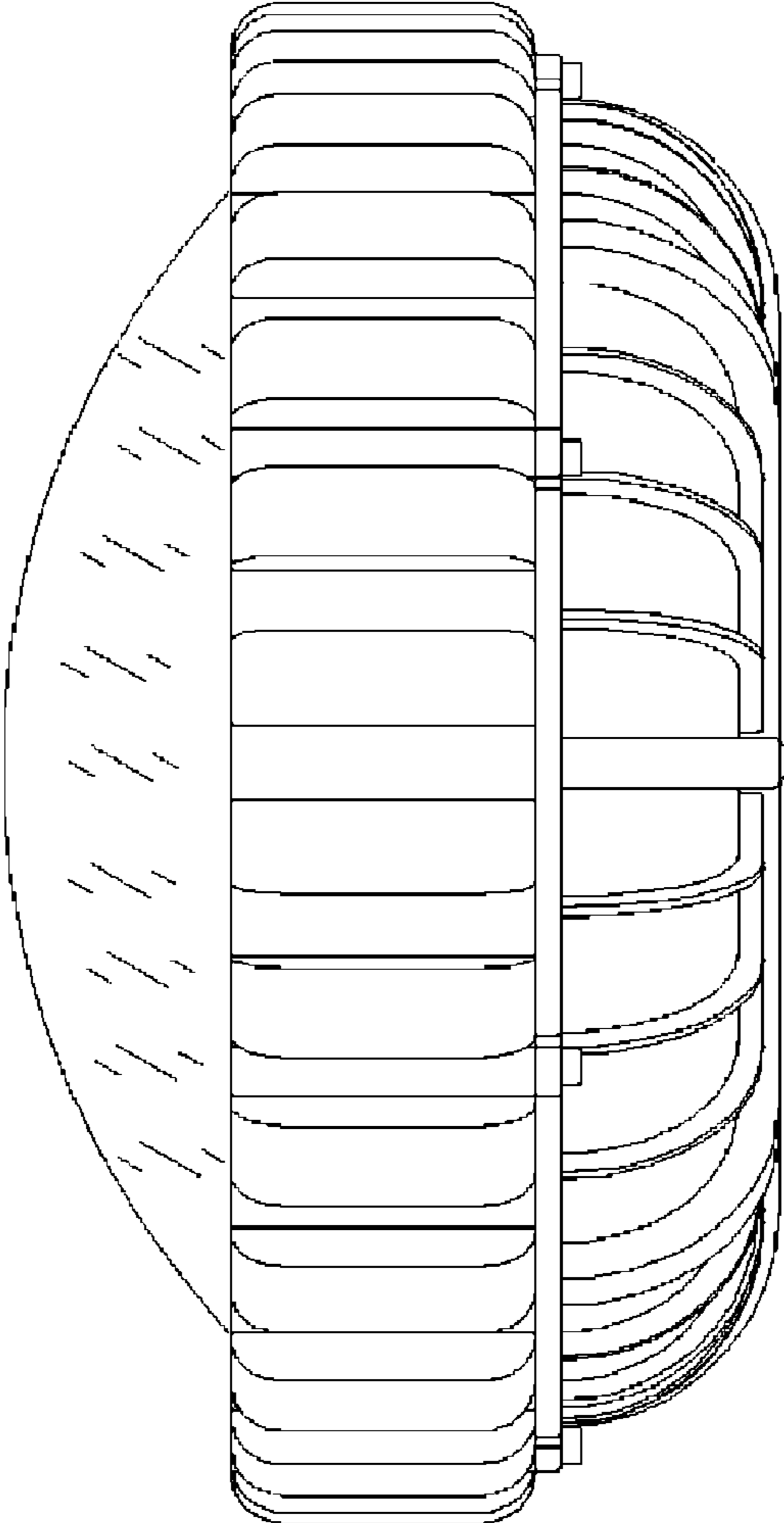


FIG. 5

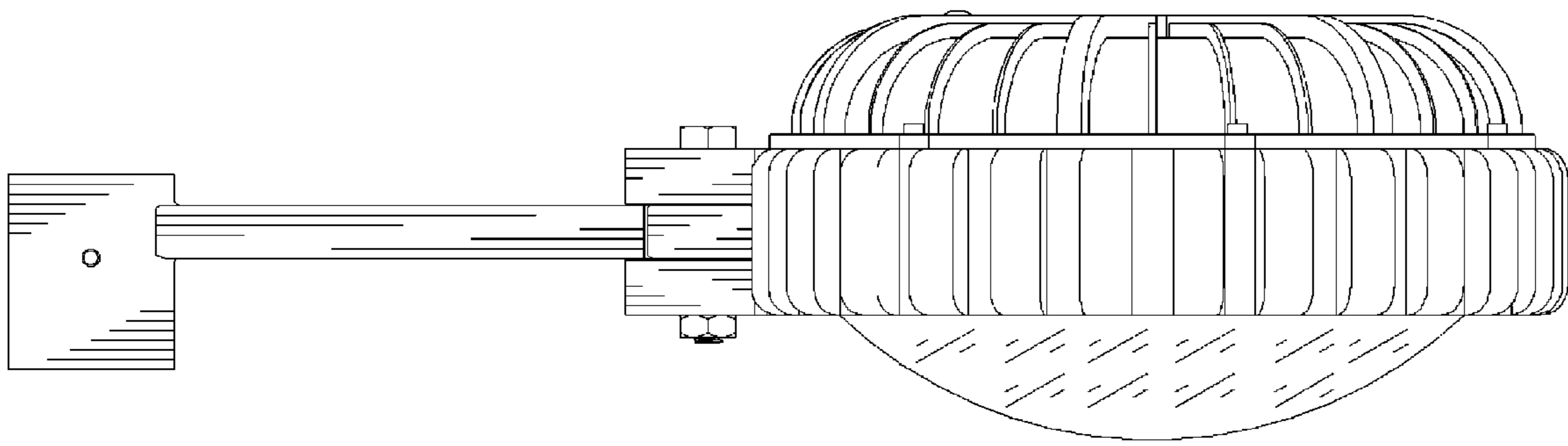


FIG. 6

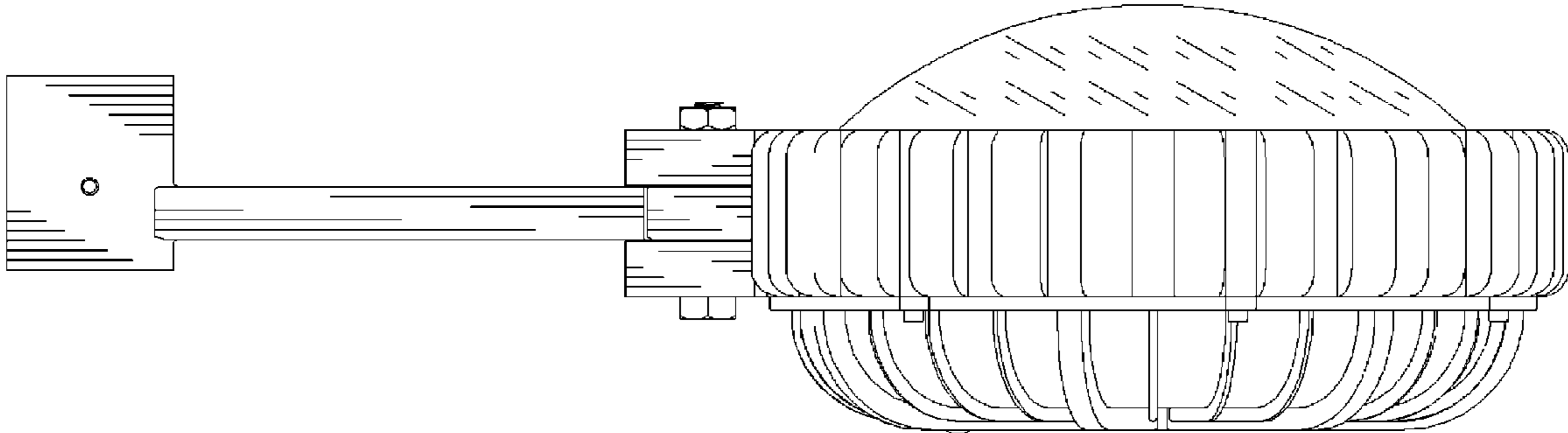


FIG. 7