



US00D629551S

(12) **United States Design Patent**
Jing

(10) **Patent No.:** **US D629,551 S**

(45) **Date of Patent:** **** Dec. 21, 2010**

(54) **SOLAR LIGHT**

(75) Inventor: **Jun Jing**, Huadu District (CN)

(73) Assignee: **The Brinkmann Corporation**, Dallas, TX (US)

(**) Term: **14 Years**

(21) Appl. No.: **29/348,662**

(22) Filed: **Jan. 26, 2010**

(51) **LOC (9) Cl.** **26-05**

(52) **U.S. Cl.** **D26/67; D26/68**

(58) **Field of Classification Search** D26/67-71,
D26/73, 85, 101, 125, 128; 362/147, 152,
362/153, 153.1, 183, 185, 431, 653
See application file for complete search history.

(56) **References Cited**

U.S. PATENT DOCUMENTS

D63,263 S	11/1923	Mohrmann	
D208,664 S *	9/1967	Daum	D26/67
D211,394 S *	6/1968	Bernstein	D26/67
D212,383 S *	10/1968	D'Ercoli	D26/67
D215,961 S	11/1969	Daum	
D309,796 S	8/1990	Koziol	
D333,189 S	2/1993	Hall et al.	
D360,048 S	7/1995	Messina, Jr.	
D383,865 S	9/1997	Heiberg et al.	
D387,458 S	12/1997	Ruggles et al.	
D420,459 S	2/2000	Meck et al.	
D421,504 S	3/2000	Meck et al.	
D427,352 S *	6/2000	Miranda	D26/72
D445,210 S	7/2001	Chen	
D457,676 S	5/2002	Cheong	
D458,702 S	6/2002	Ellis	
D461,578 S *	8/2002	Cheong	D26/67
D463,606 S	9/2002	Orozco	
D465,296 S	11/2002	DiPasquale	
D465,873 S	11/2002	De'Armond	
D468,043 S	12/2002	Krieger et al.	
D469,559 S	1/2003	Chang	
D475,797 S	6/2003	Cheong	

D477,890 S	7/2003	Cheong et al.	
D478,684 S	8/2003	DiPasquale et al.	
D482,478 S	11/2003	Cheong et al.	
D483,138 S	12/2003	Chen	
D490,556 S	5/2004	Cheong et al.	
D494,699 S	8/2004	Hon et al.	
D495,084 S	8/2004	Hon et al.	
D497,684 S *	10/2004	Hon et al.	D26/67
D499,503 S	12/2004	Hon et al.	
D500,157 S *	12/2004	Chen	D26/67
D504,189 S	4/2005	Hon et al.	
D508,581 S	8/2005	Cheong et al.	

(Continued)

OTHER PUBLICATIONS

Design House Lighting catalog; (p. 116).
Thomas Lighting 1996 Catalog (p. 189).
Thomas Lighting 1996 Catalog (p. 199).
Rockscapes, Inc. Landscape Illumination Catalog.
Home Lighting & Accessories Catalog, Jun. 1997 (p. 143).

(Continued)

Primary Examiner—Clare E Heflin
(74) *Attorney, Agent, or Firm*—Sheppard, Mullin, Richter & Hampton LLP

(57) **CLAIM**

I claim the ornamental design for a solar light, as shown and described.

DESCRIPTION

FIG. 1 is a perspective view of a solar light showing the new design;

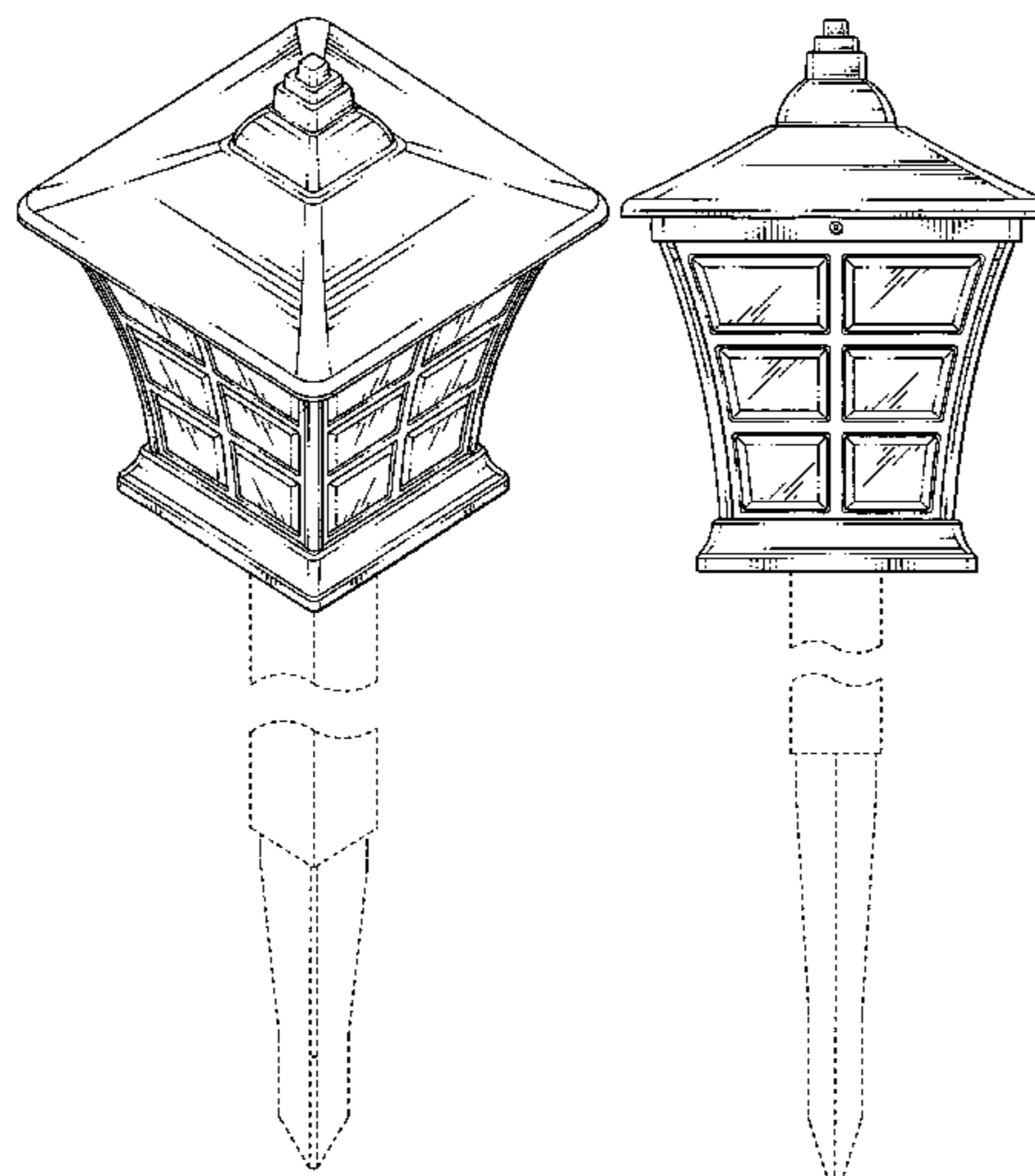
FIG. 2 is a front elevational view thereof, the left side, right side and rear elevational views being identical images thereof;

FIG. 3 is a top plan view thereof; and,

FIG. 4 is a bottom plan view thereof.

The dotted lines are for illustrative purposes only and form no part of the claimed design.

1 Claim, 3 Drawing Sheets



US D629,551 S

Page 2

U.S. PATENT DOCUMENTS

D541,974 S 5/2007 Yuan
D553,284 S * 10/2007 Bucher et al. D26/67
D563,015 S 2/2008 Lee et al.
D563,016 S 2/2008 Ho et al.
D563,585 S 3/2008 Lee et al.
D564,690 S 3/2008 Chung et al.
D580,581 S * 11/2008 Grant D26/68

D616,134 S * 5/2010 Grant D26/68

OTHER PUBLICATIONS

Kichler Lighting Catalog #104; © 2003 (p. 343).
2004 Edition of "The Big Book" catalog by Murry-Feiss (p. 247).
Lamps Plus 2007 Lighting & Home Decor Catalog (p. 55).
Seven pages from various lighting catalogs/brochures, title and date
unknown.
* cited by examiner

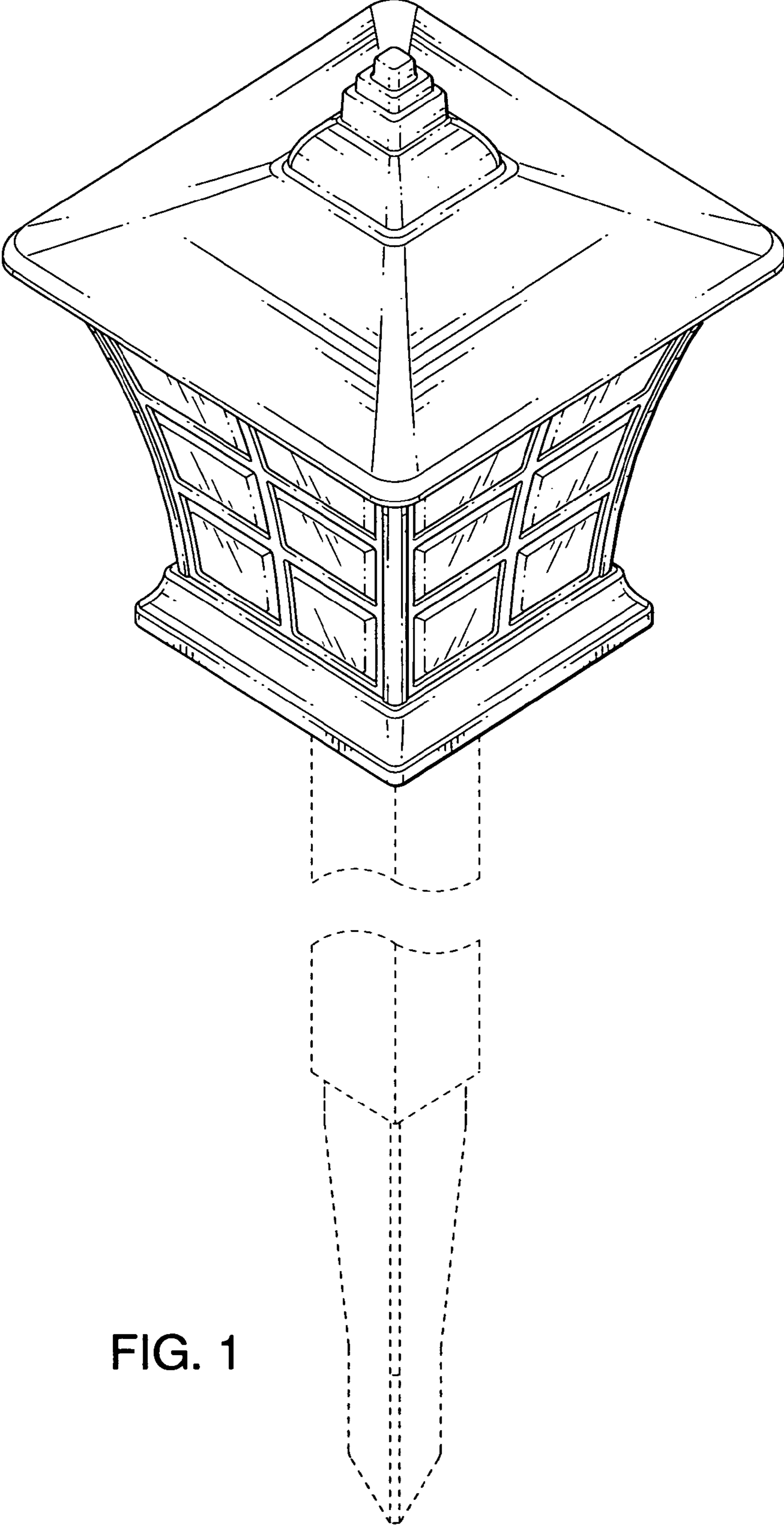


FIG. 1

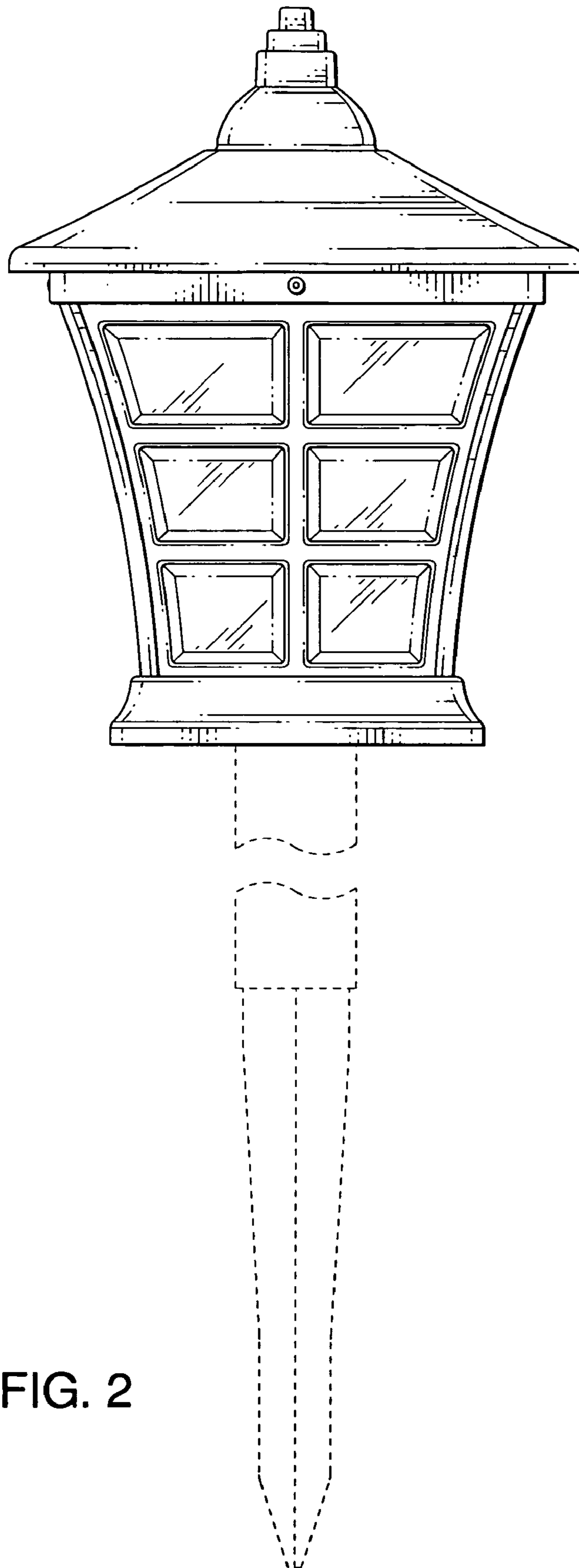


FIG. 2

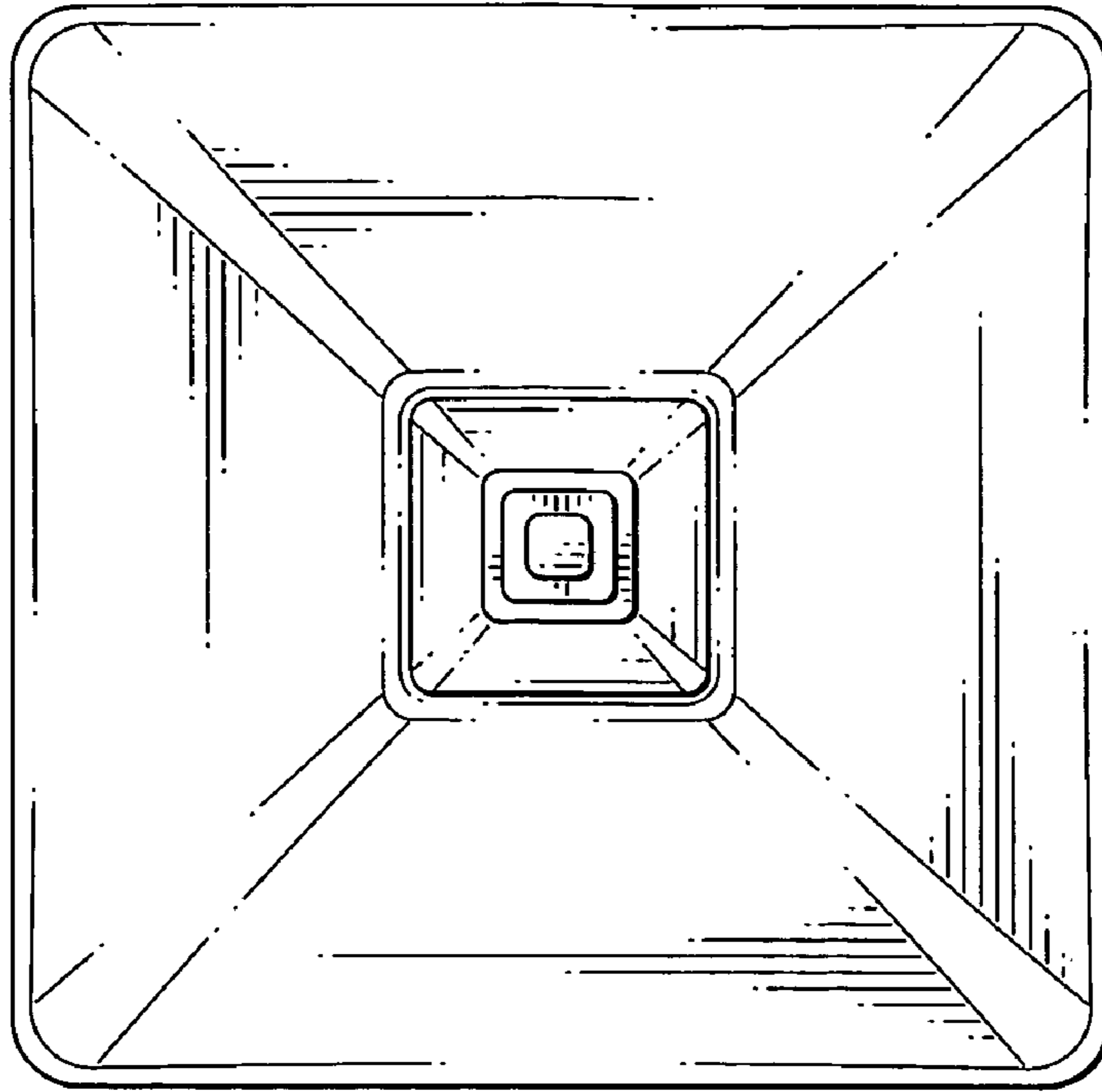


FIG. 3

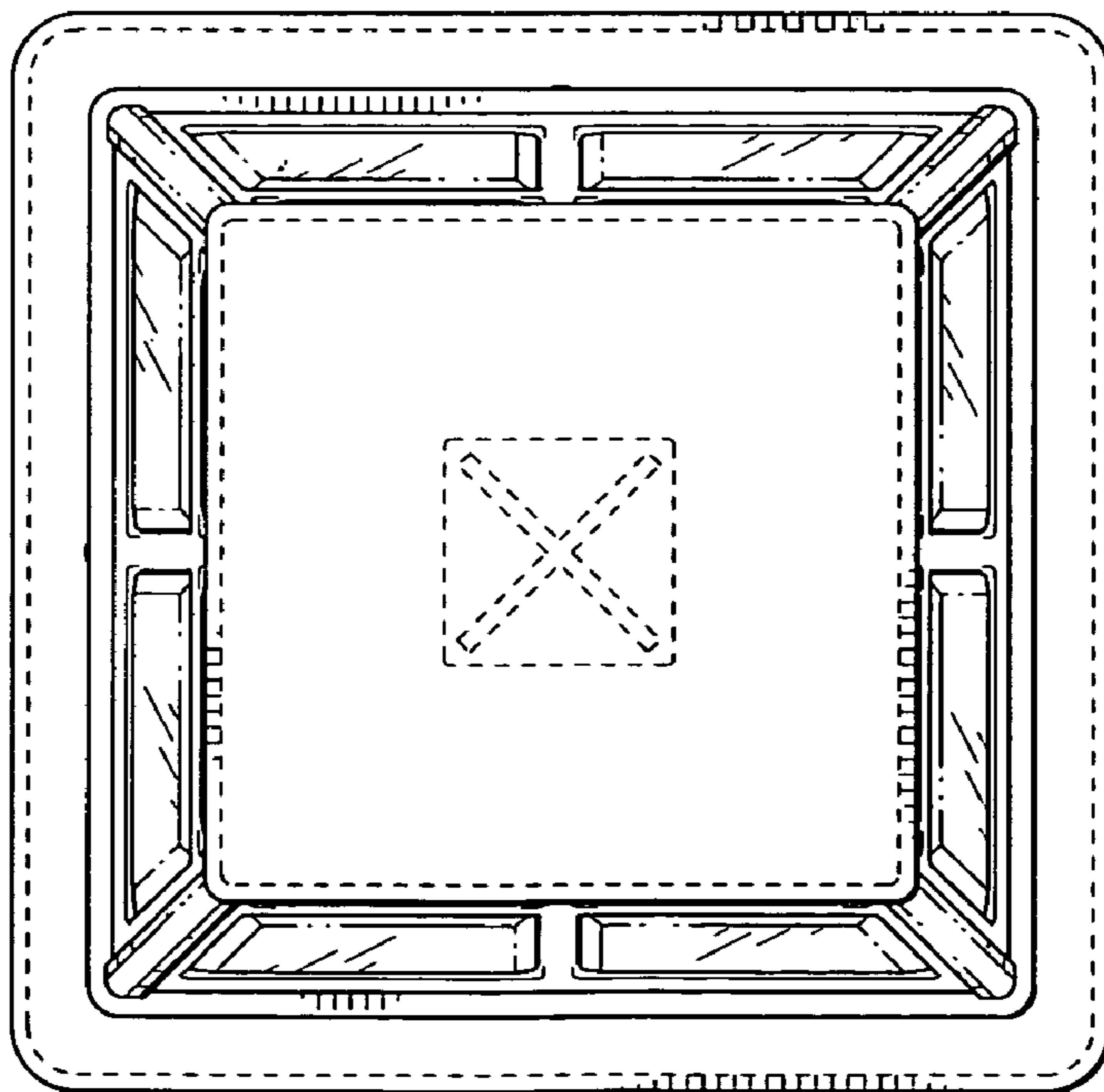


FIG. 4