



US00D629550S

(12) **United States Design Patent**
Sandell

(10) **Patent No.:** **US D629,550 S**

(45) **Date of Patent:** **** Dec. 21, 2010**

(54) **DOCK LIGHT**

(74) *Attorney, Agent, or Firm*—Elliot B. Aronson

(75) Inventor: **Donald R. Sandell**, San Jose, CA (US)

(57) **CLAIM**

(73) Assignee: **Illumination Dynamics LLC**, Danville, CA (US)

The ornamental design for a dock light, as shown and described.

(**) Term: **14 Years**

DESCRIPTION

(21) Appl. No.: **29/350,488**

FIG. 1 is an overall perspective view of a dock light showing a first embodiment of my design;

(22) Filed: **Nov. 17, 2009**

FIG. 2 is a left side elevational view of the dock light of FIG. 1;

(51) **LOC (9) Cl.** **26-05**

FIG. 3 is a right side elevational view of the dock light of FIG. 1;

(52) **U.S. Cl.** **D26/63**

FIG. 4 is a top plan view of the dock light of FIG. 1;

(58) **Field of Classification Search** D26/61–66,
D26/72, 78, 28; 362/96, 294, 370, 373, 276,
362/371, 419, 432, 485, 547, 426, 477, 267,
362/158

FIG. 5 is a bottom plan view of the dock light of FIG. 1;

See application file for complete search history.

FIG. 6 is a front elevational view of the dock light of FIG. 1; and

(56) **References Cited**

FIG. 7 is a rear elevational view of the dock light of FIG. 1.

U.S. PATENT DOCUMENTS

FIG. 8 is an overall perspective view of a dock light showing a second embodiment of my design;

D291,360 S *	8/1987	De Vos et al.	D26/63
D300,570 S *	4/1989	DeCandia	D26/63
D355,502 S *	2/1995	Liao	D26/67
5,709,458 A *	1/1998	Metz	362/96
D390,672 S *	2/1998	Seid	D26/2
D394,121 S *	5/1998	Seid	D26/28
D439,355 S *	3/2001	Ford	D26/63
6,196,705 B1 *	3/2001	Finke et al.	362/276
D443,093 S *	5/2001	Chiang	D26/65
D453,227 S *	1/2002	Lin	D26/63
D475,154 S *	5/2003	Binsukor	D26/72
D479,015 S *	8/2003	Tang	D26/63
D574,102 S *	7/2008	Quiogue et al.	D26/63
7,425,086 B2 *	9/2008	Murphy	362/477

FIG. 9 is a left side elevational view of the dock light of FIG. 8;

* cited by examiner

FIG. 10 is a right side elevational view of the dock light of FIG. 8;

FIG. 11 is a top plan view of the dock light of FIG. 8;

FIG. 12 is a bottom plan view of the dock light of FIG. 8;

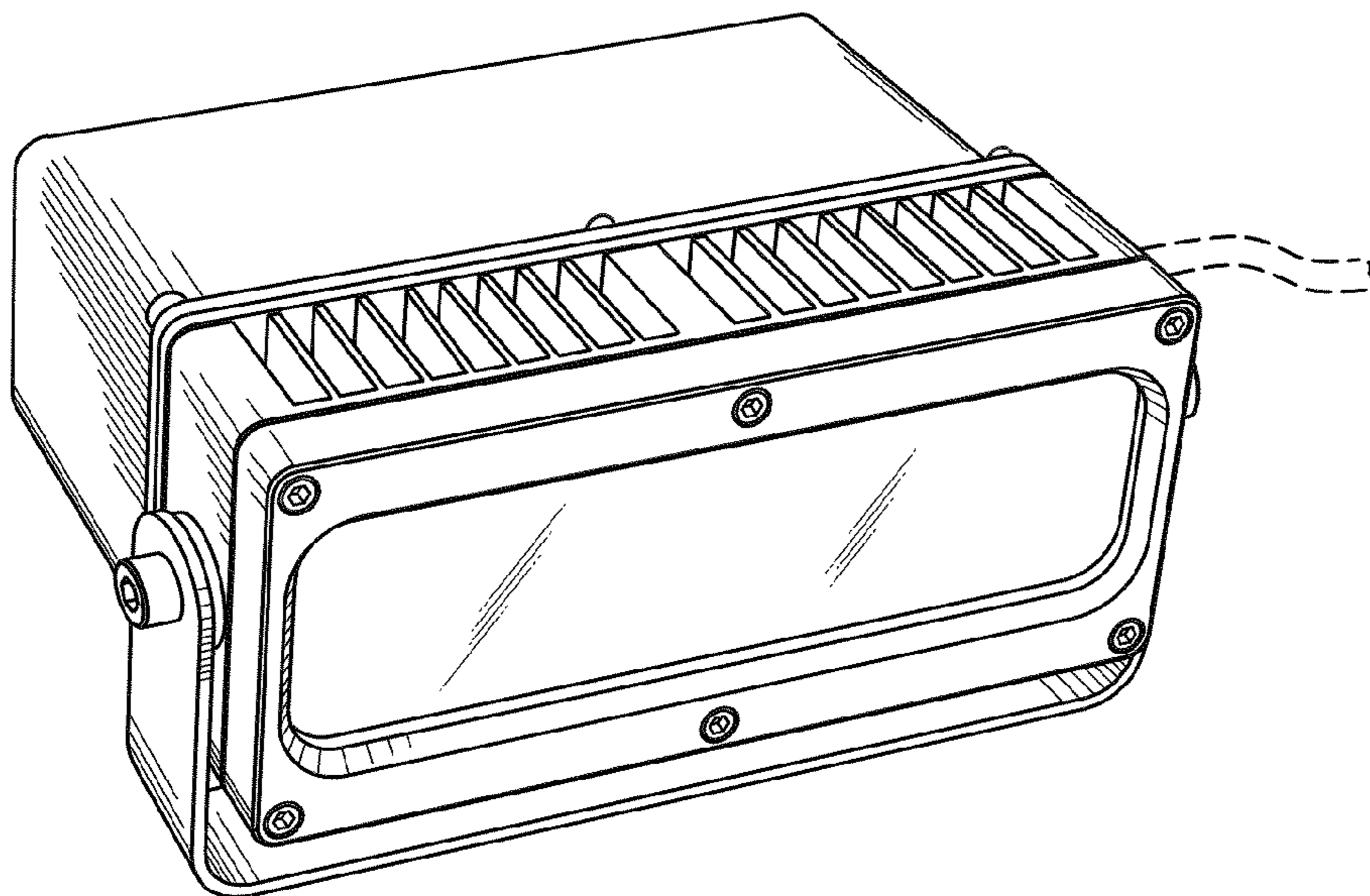
FIG. 13 is a front elevational view of the dock light of FIG. 8; and,

FIG. 14 is a rear elevational view of the dock light of FIG. 8.

The broken lines in the Figures are shown for illustrative purposes only and do not form part of the claimed design.

Primary Examiner—Mitchell I Siegel

1 Claim, 6 Drawing Sheets



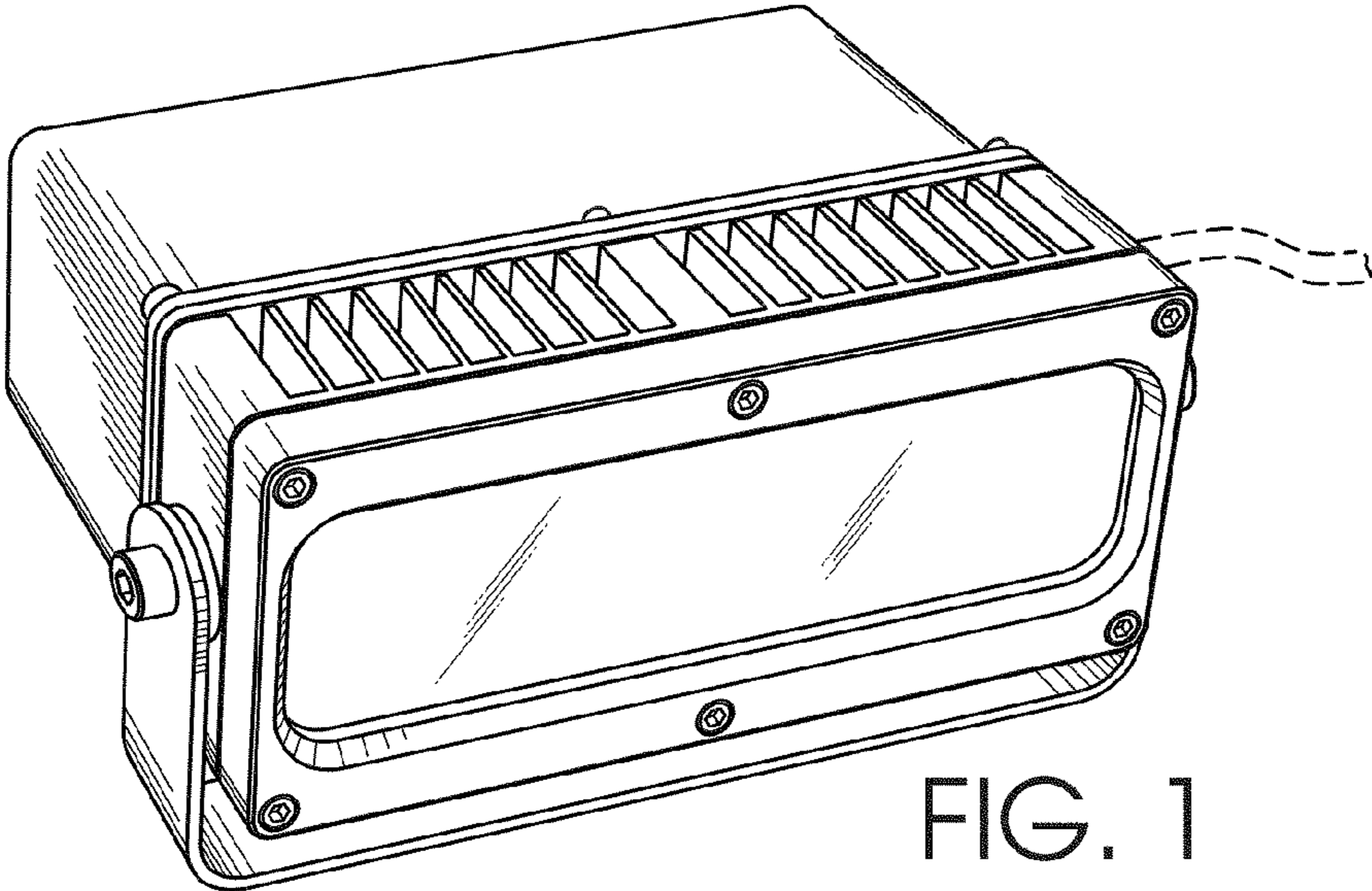


FIG. 1

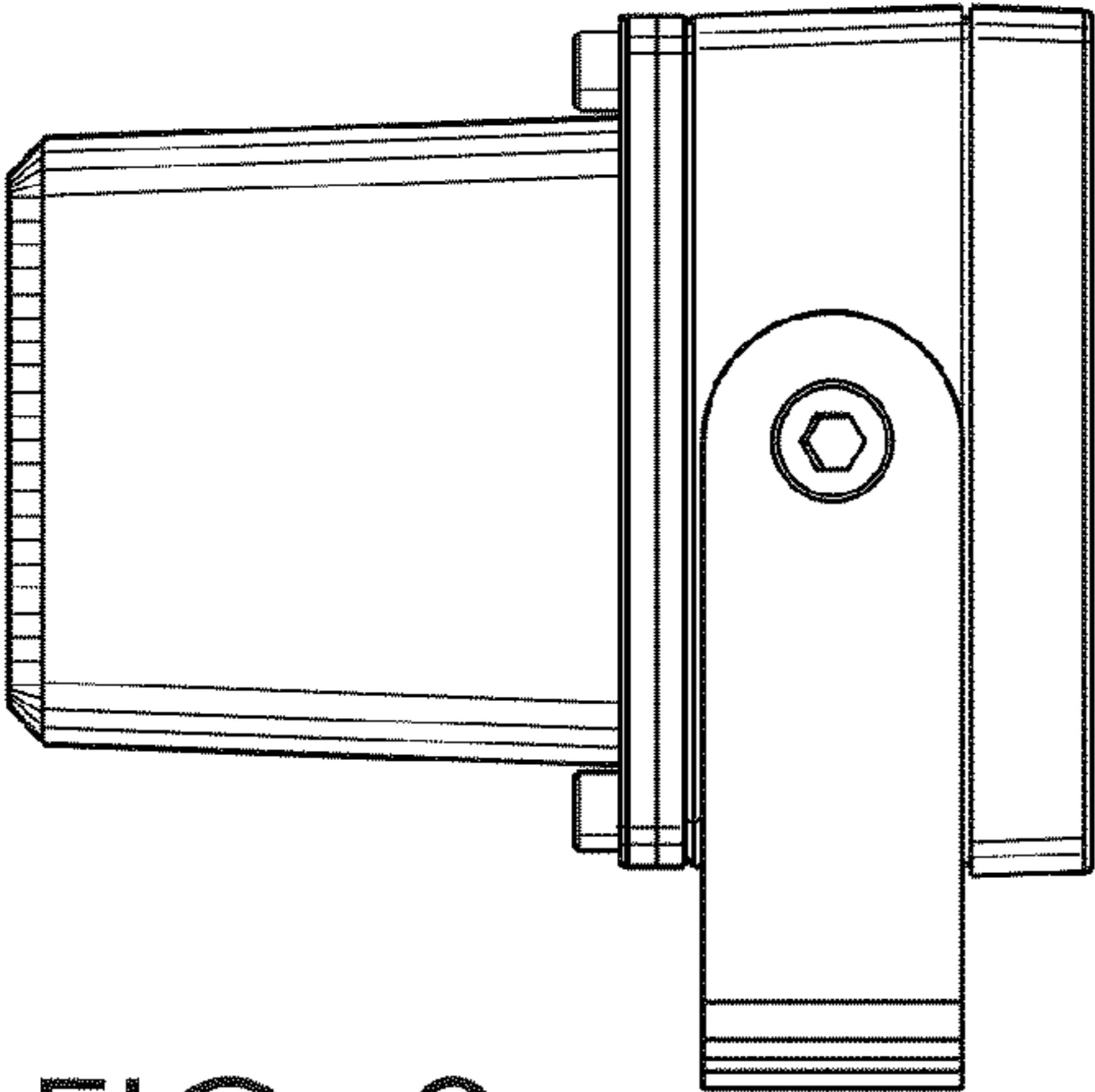


FIG. 2

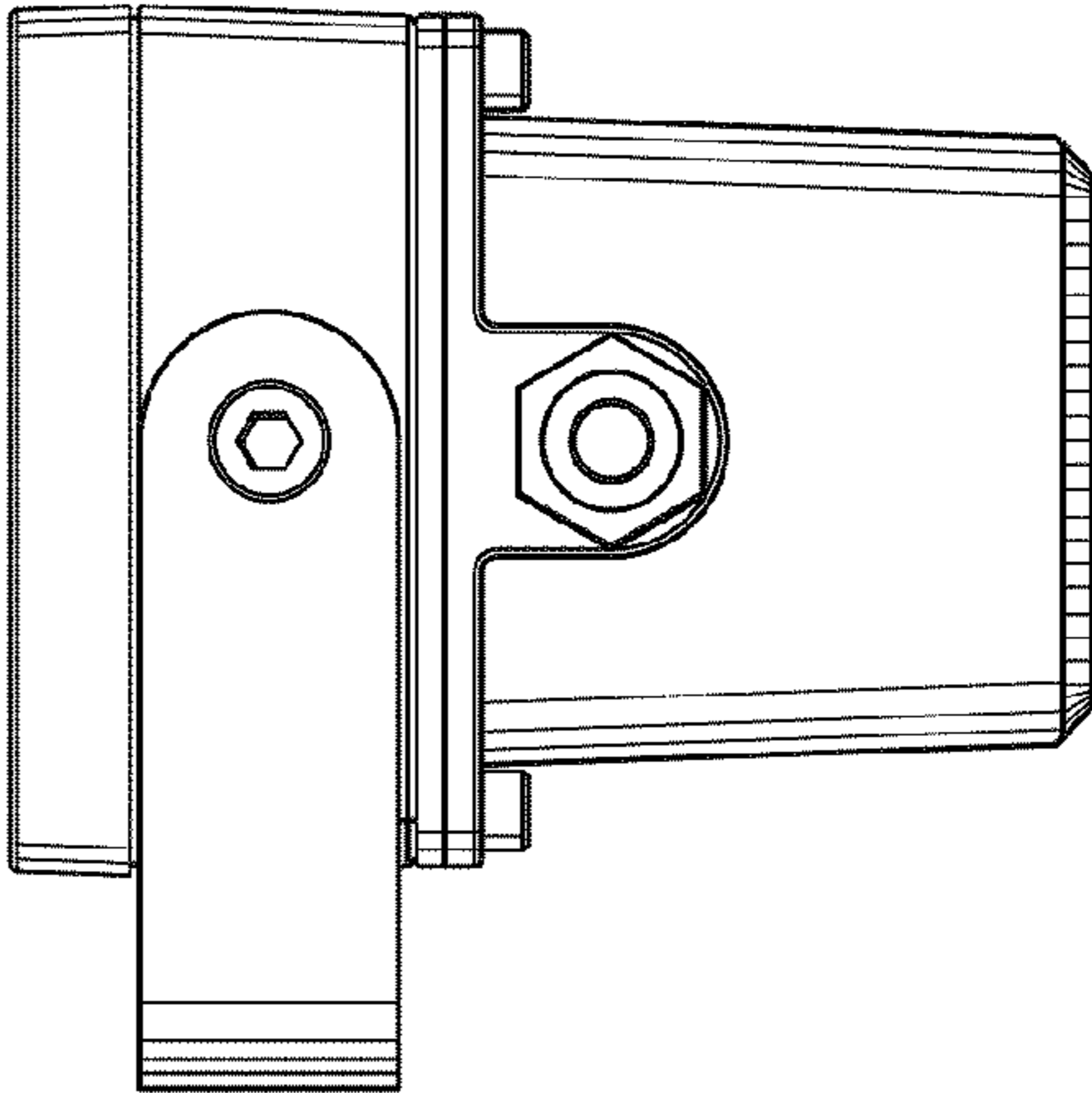


FIG. 3

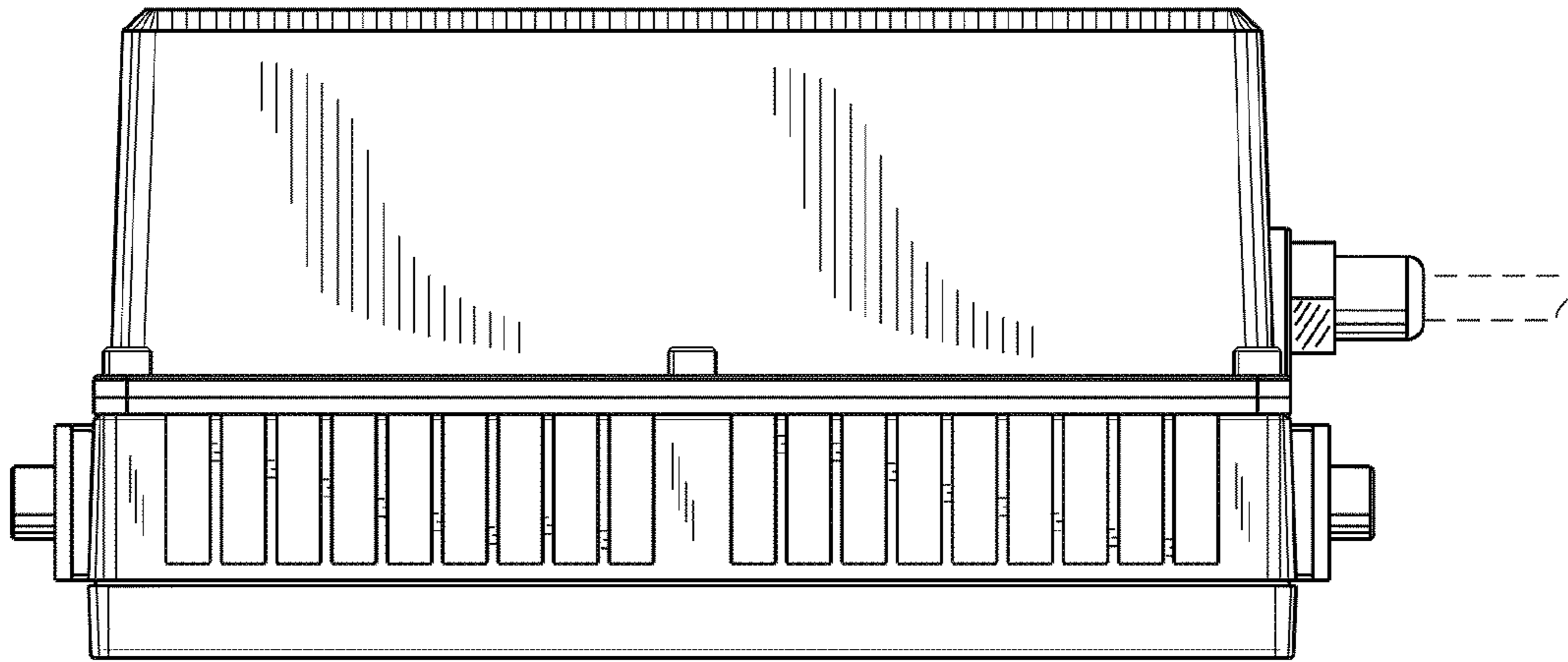


FIG. 4

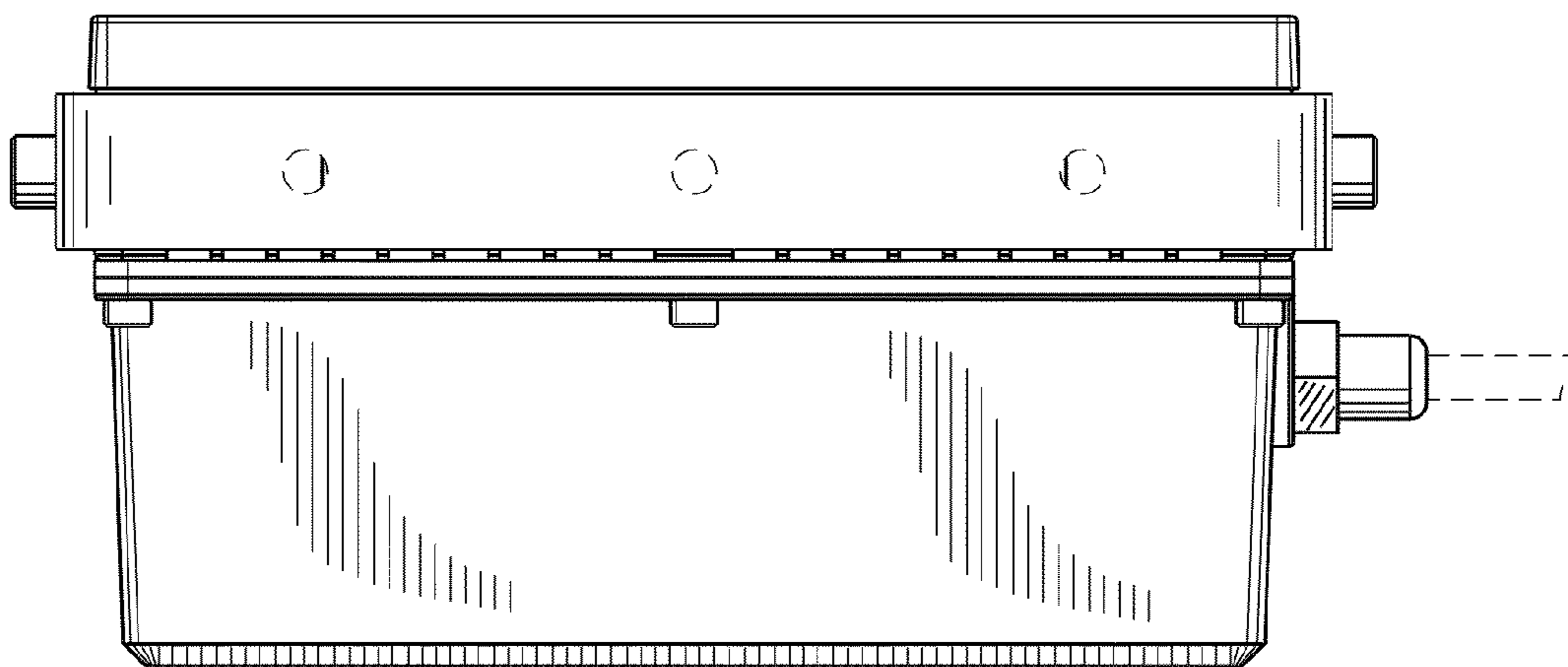


FIG. 5

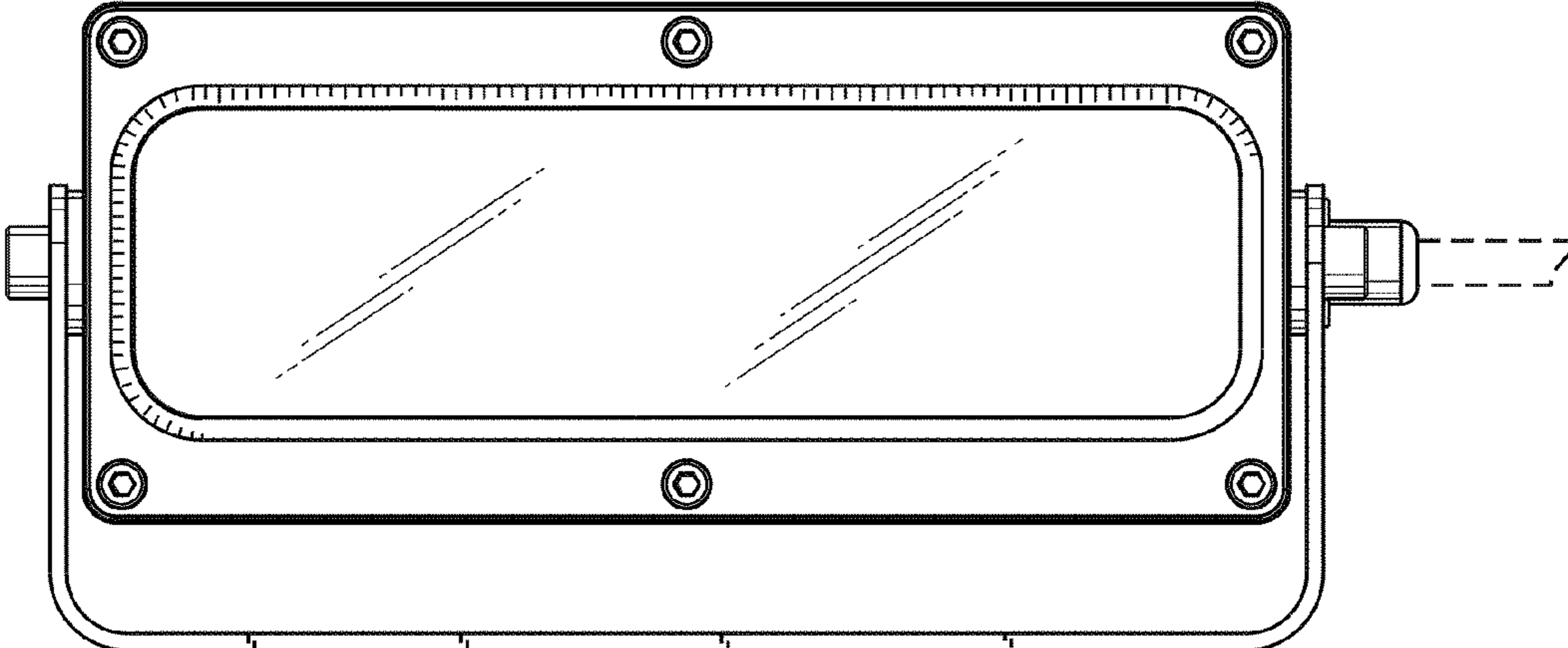


FIG. 6

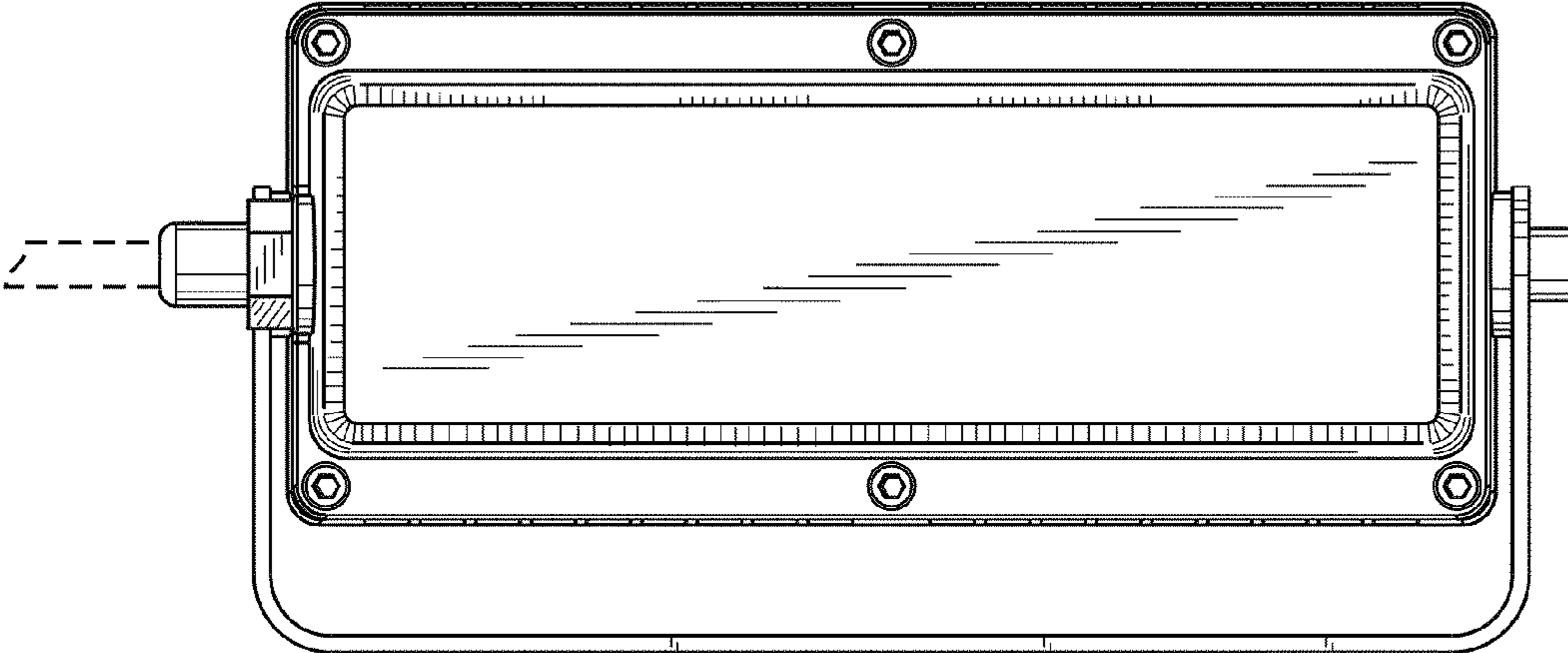


FIG. 7

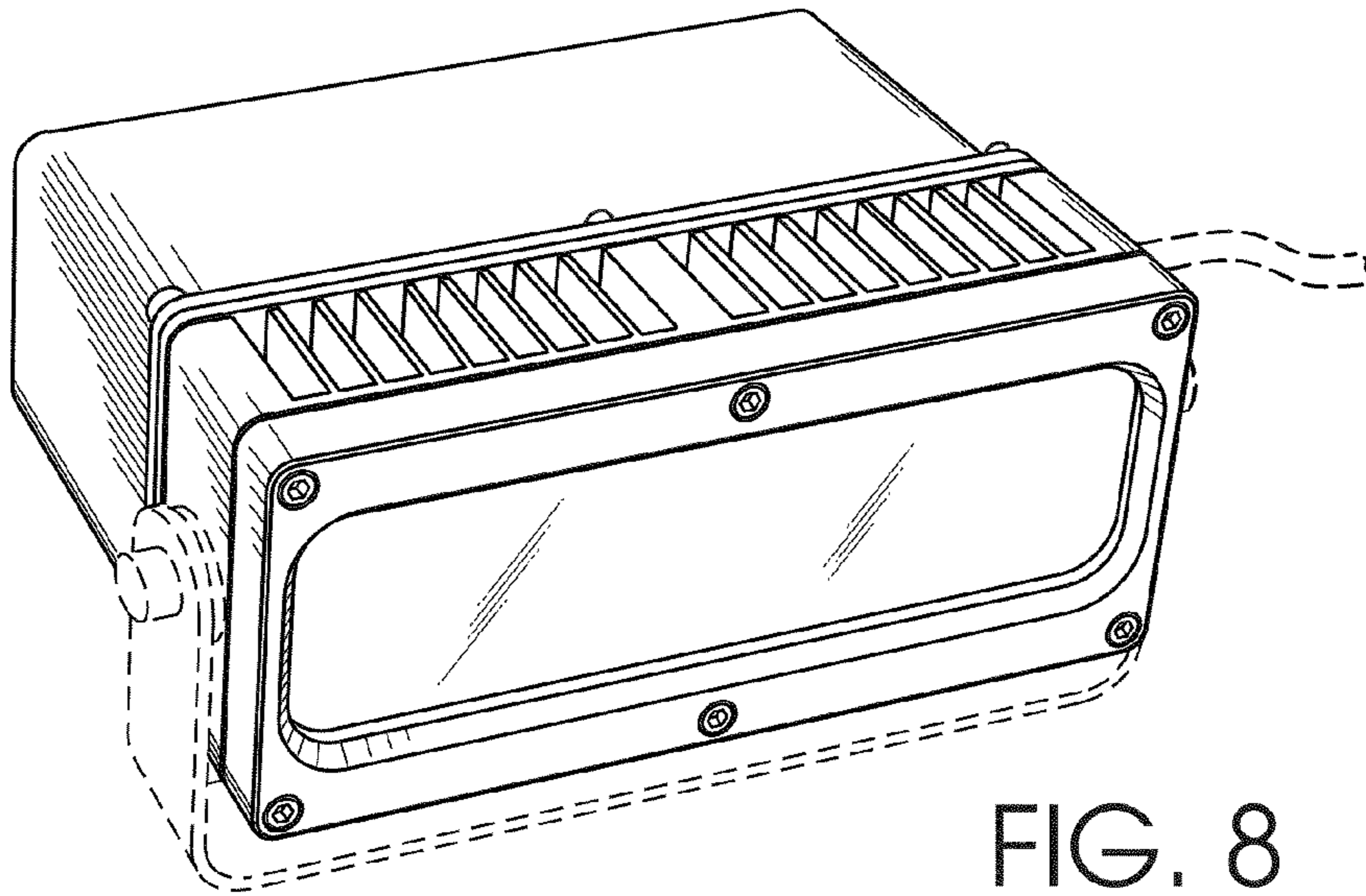


FIG. 8

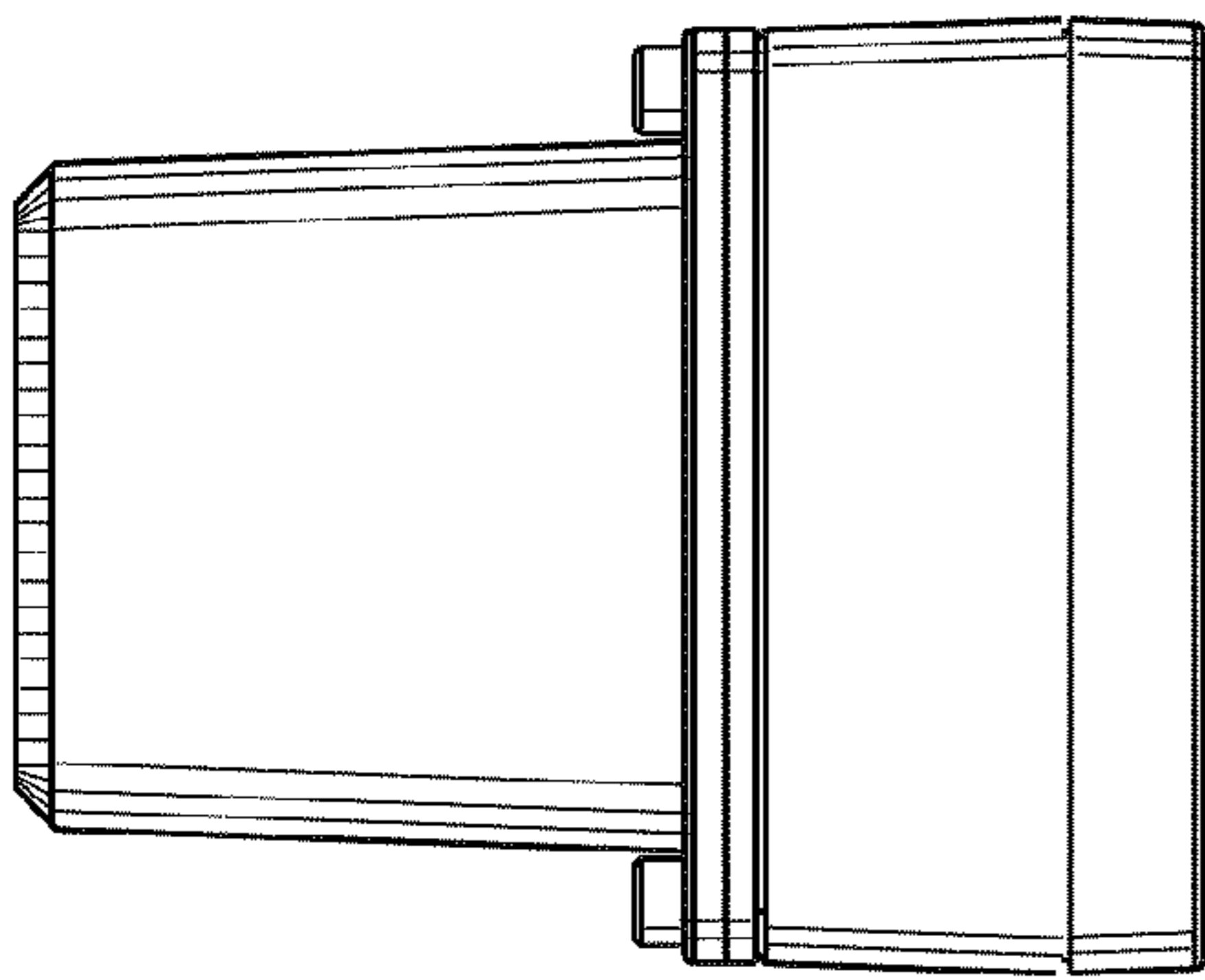


FIG. 9

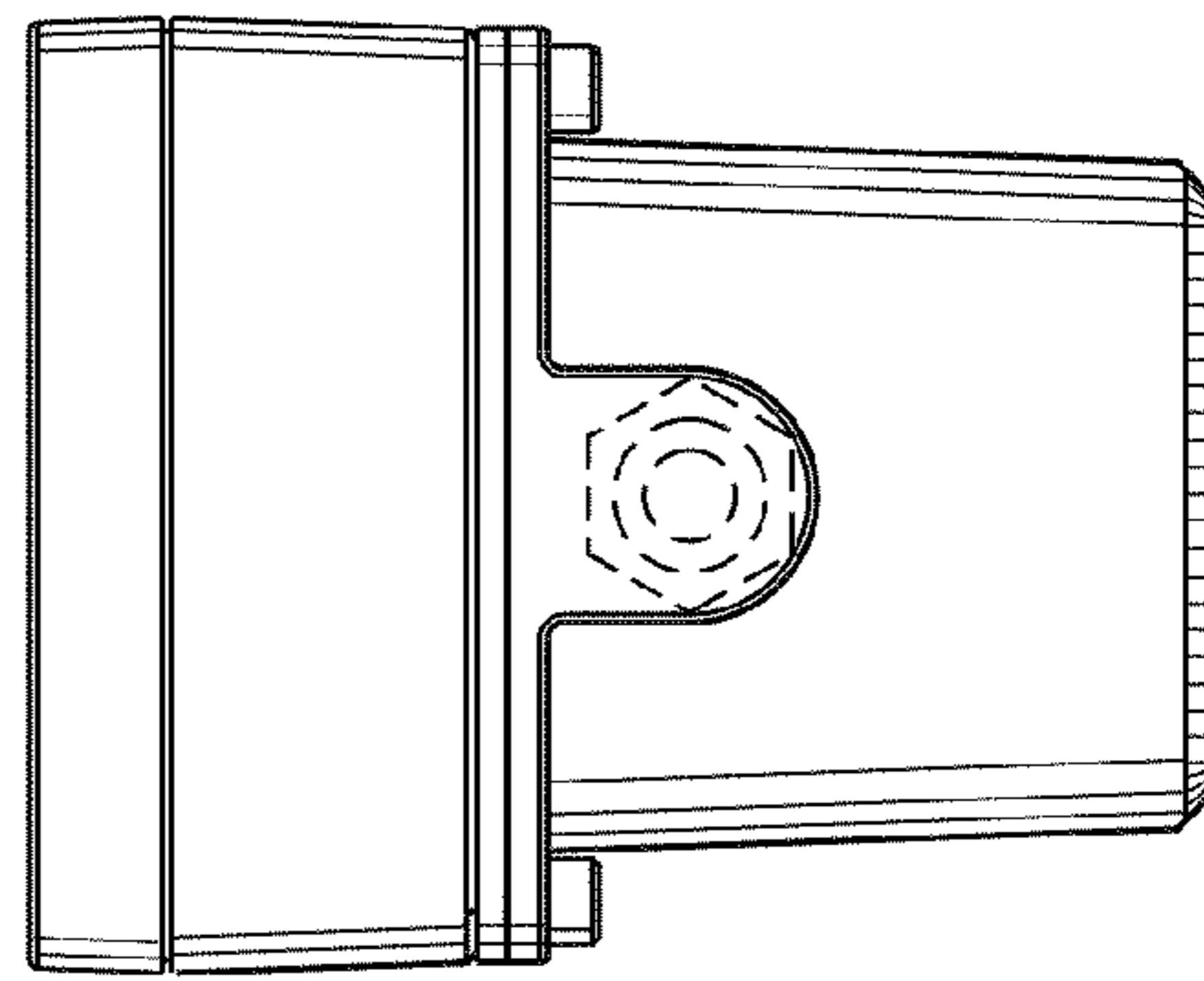


FIG. 10

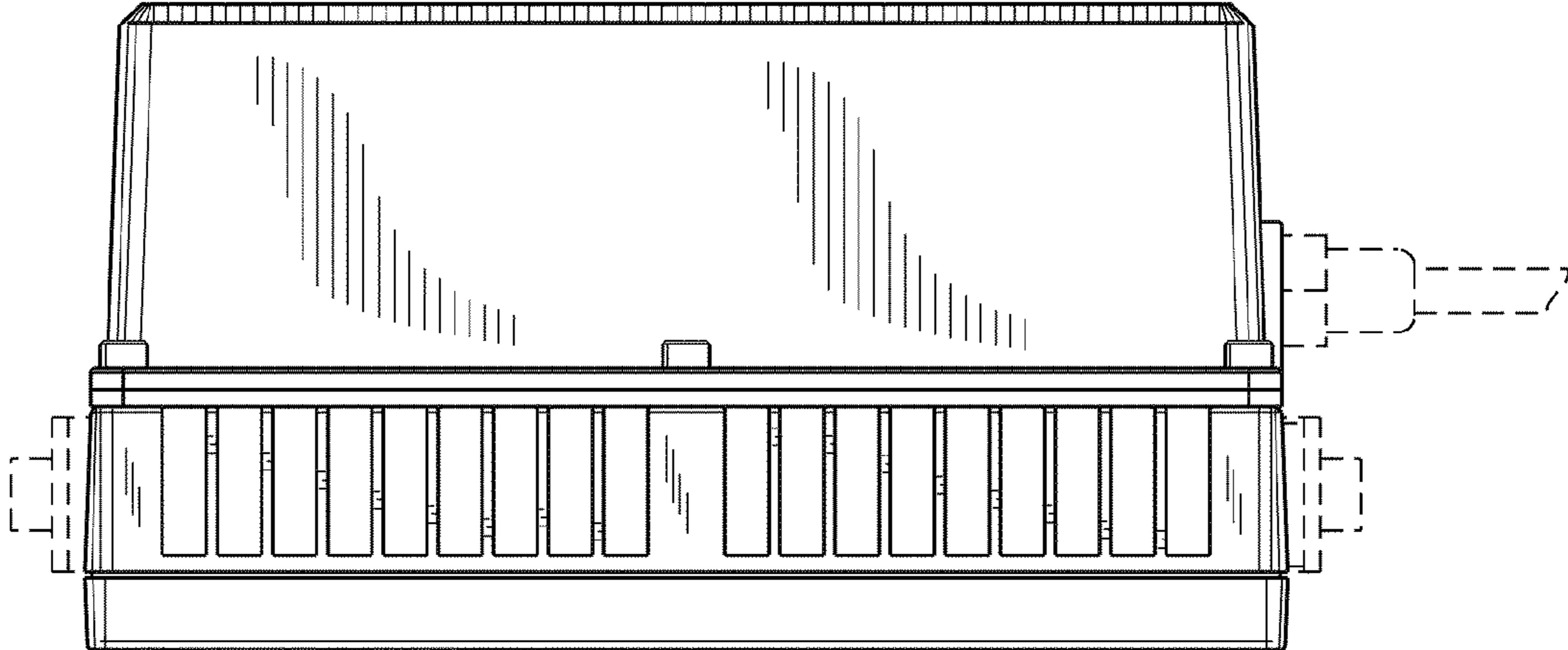


FIG. 11

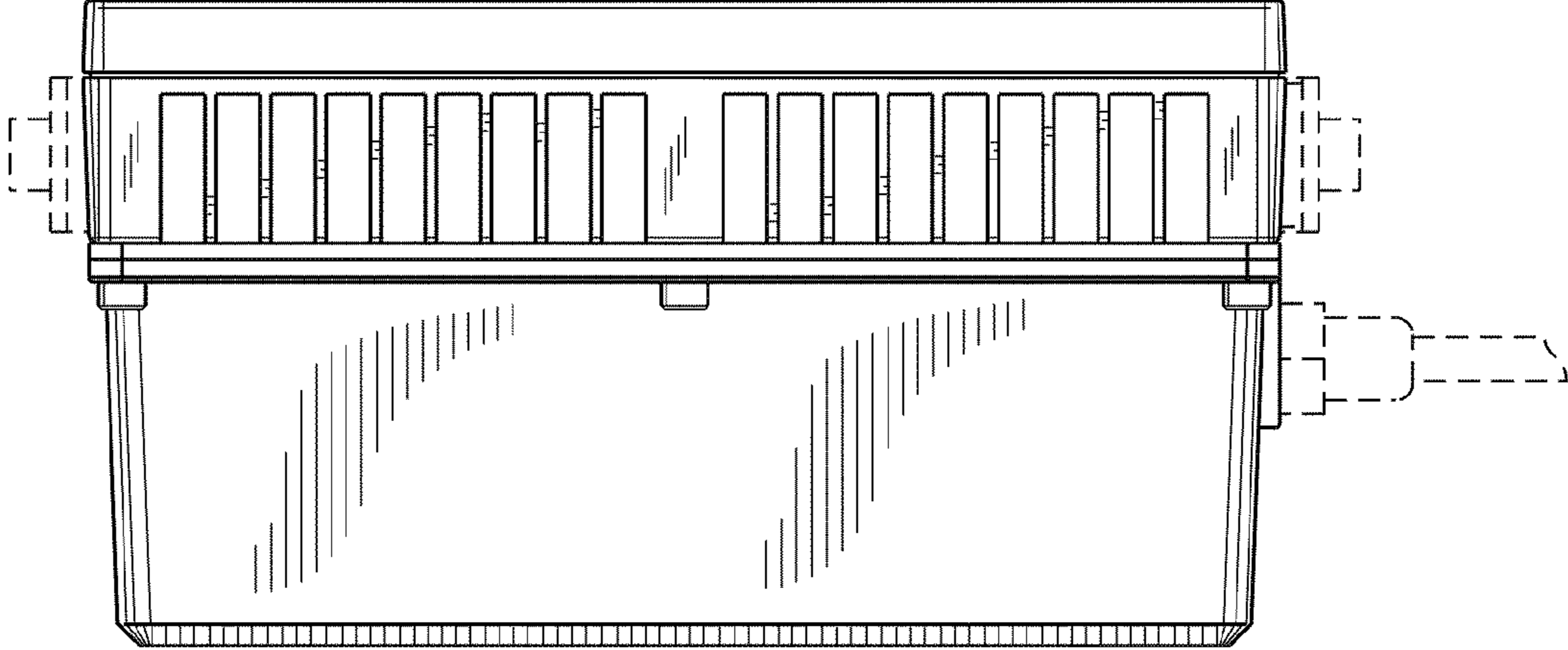


FIG. 12

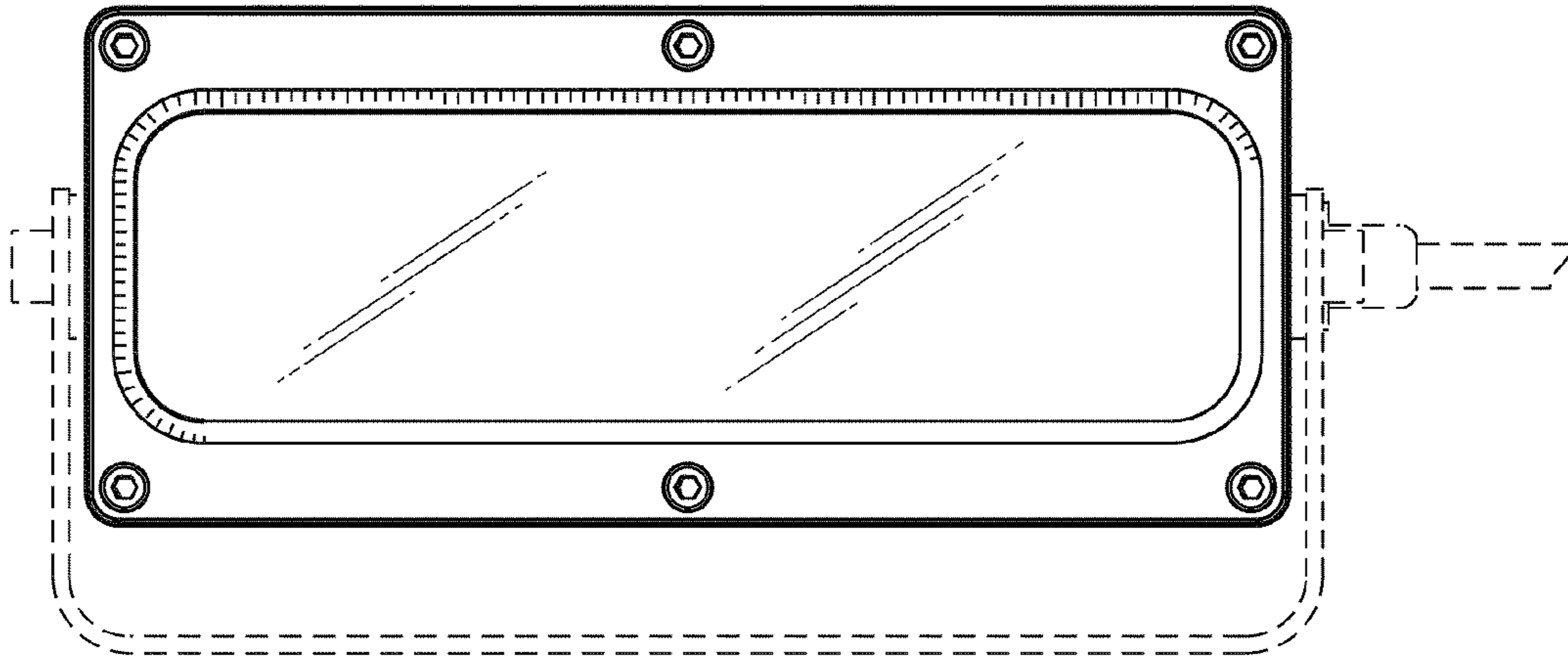


FIG. 13

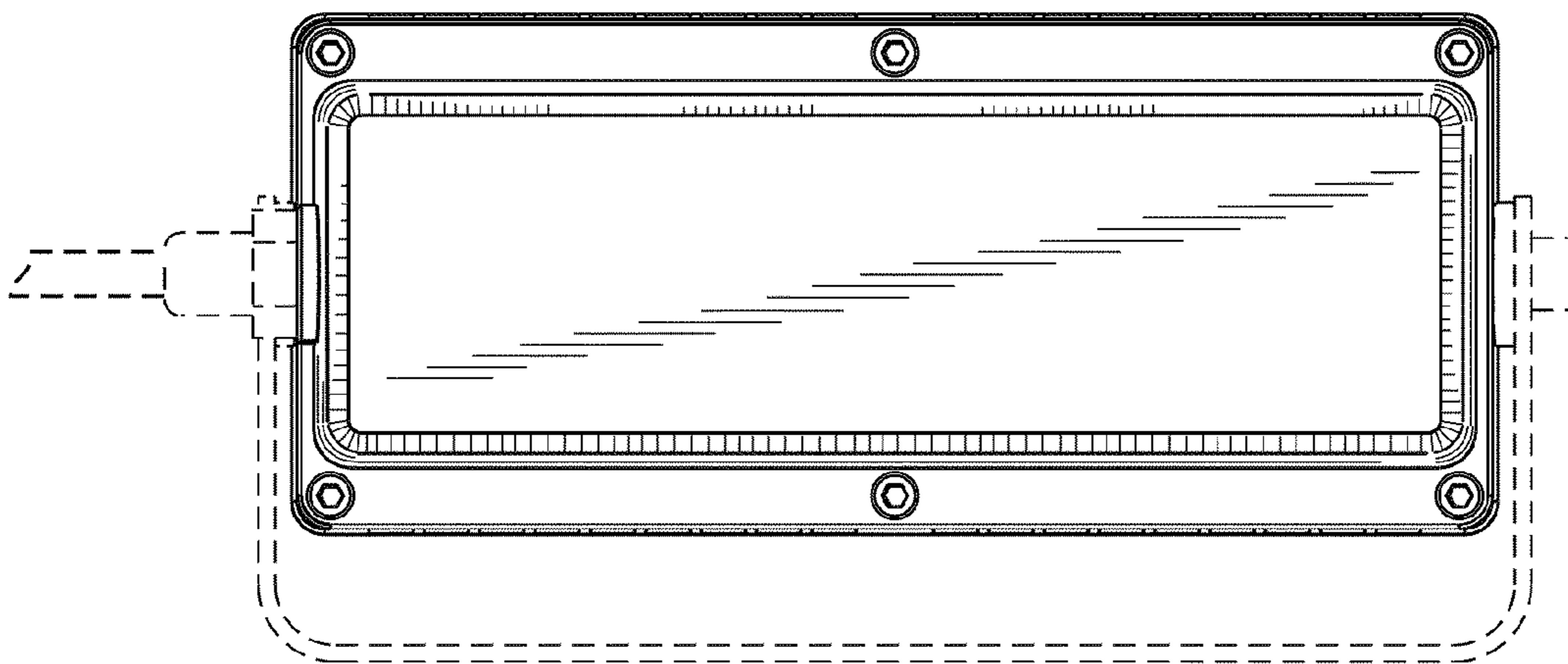


FIG. 14