

US00D629549S

(12) **United States Design Patent**
Feigenbaum

(10) **Patent No.:** **US D629,549 S**
(45) **Date of Patent:** **** Dec. 21, 2010**

(54) **ROTATABLE SPOTLIGHT**
(75) Inventor: **Marvin Feigenbaum**, New York, NY
(US)
(73) Assignee: **Acolyte Technologies Corporation**,
New York, NY (US)

6,848,808 B2 2/2005 Guerrieri
6,857,771 B2 2/2005 Guerrieri
6,900,735 B2 5/2005 Guerrieri et al.
D604,880 S * 11/2009 Lovegrove D26/63
D615,231 S * 5/2010 van Klinken D26/63
D620,187 S * 7/2010 Quadri D26/113

(**) Term: **14 Years**
(21) Appl. No.: **29/346,999**
(22) Filed: **Nov. 10, 2009**

OTHER PUBLICATIONS
Acolyte Technologies Corporation, Products Catalog, www.
888Acolyte.com.
* cited by examiner

(51) **LOC (9) Cl.** **26-05**
(52) **U.S. Cl.** **D26/63**
(58) **Field of Classification Search** D26/61-66,
D26/73, 113; 362/410, 413, 414, 419, 427,
362/285, 287, 282, 277, 275, 274, 271, 270,
362/269, 145, 152, 183, 294, 272, 545, 800,
362/249.02, 249.03, 371, 648
See application file for complete search history.

Primary Examiner—Mitchell I Siegel
(74) *Attorney, Agent, or Firm*—Gottlieb, Rackman &
Reisman PC

(56) **References Cited**
U.S. PATENT DOCUMENTS

(57) **CLAIM**

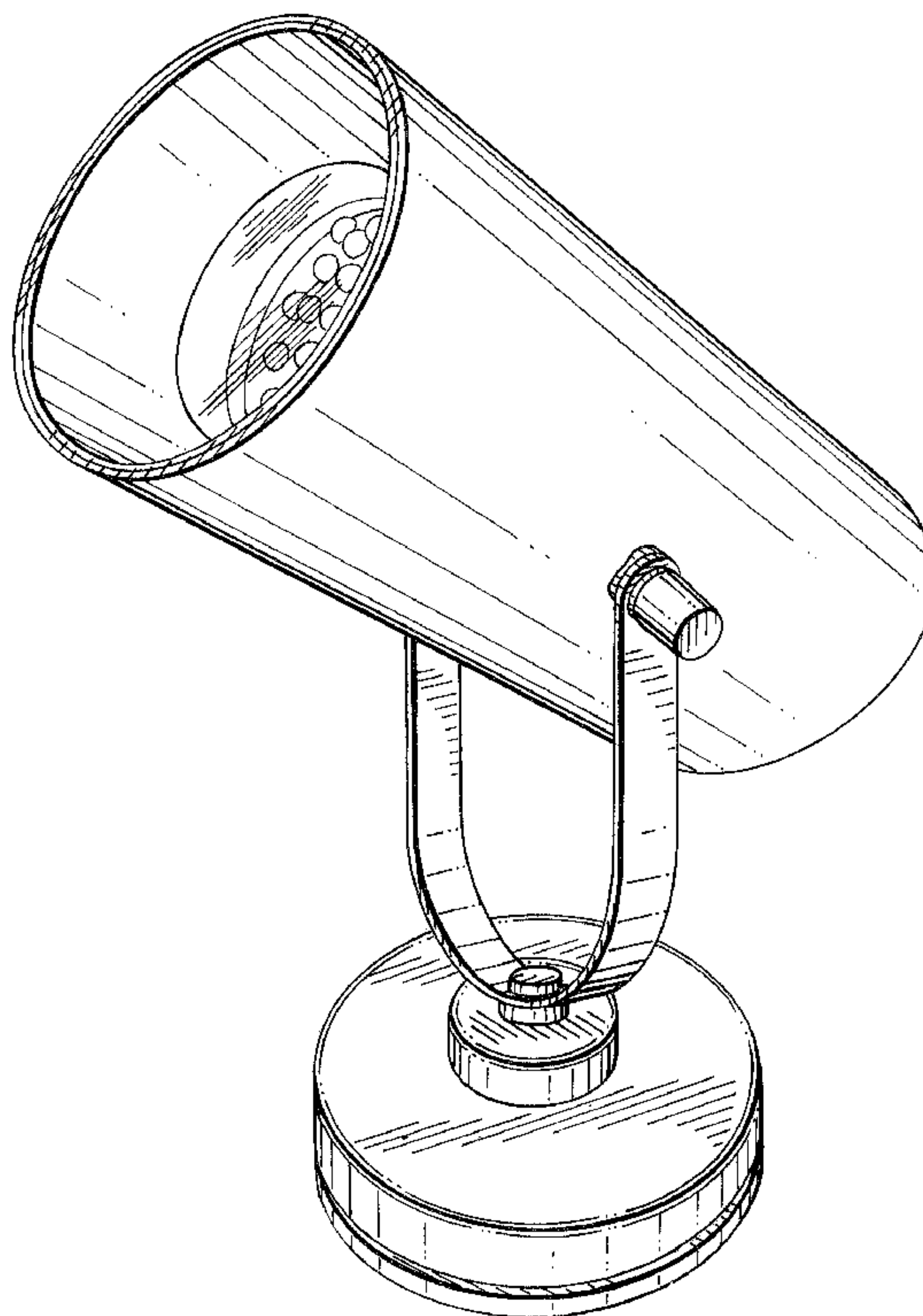
D291,360 S * 8/1987 De Vos et al. D26/63
6,120,162 A 9/2000 Guerrieri
D446,325 S 8/2001 Guerrieri
D447,584 S 9/2001 Guerrieri
D482,469 S 11/2003 Guerrieri
6,840,654 B2 1/2005 Guerrieri et al.
6,848,807 B2 2/2005 Guerrieri

The ornamental design for a rotatable spotlight, as shown and described.

DESCRIPTION

FIG. 1 is a top, front and right side perspective view of a rotatable spotlight showing my new design;
FIG. 2 is a left side elevational view thereof, the right side elevational view being a mirror image;
FIG. 3 is a top plan view thereof; and
FIG. 4 is a front elevational view thereof;
FIG. 5 is a rear elevational view thereof; and,
FIG. 6 is a bottom plan view thereof.

1 Claim, 4 Drawing Sheets



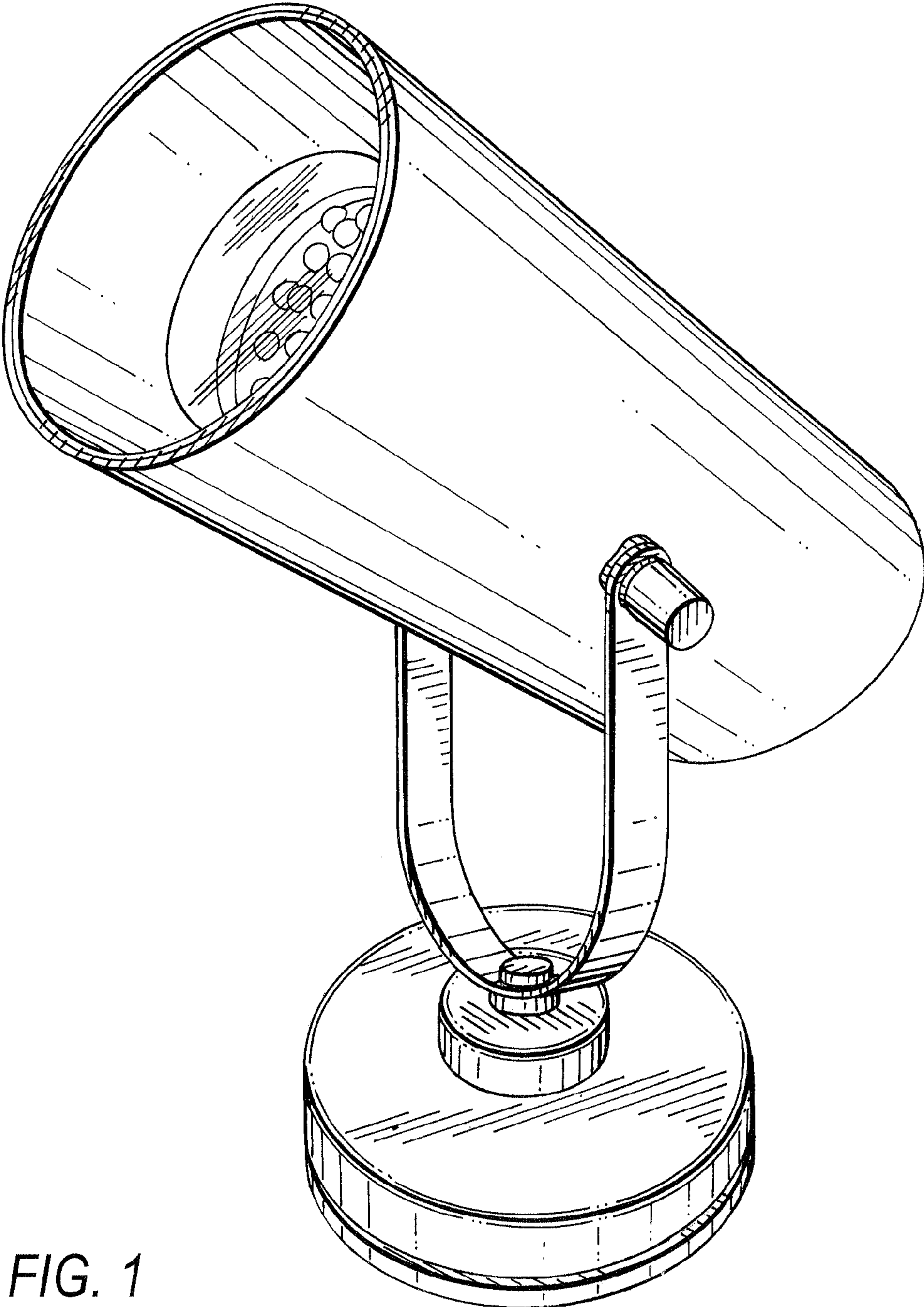


FIG. 1

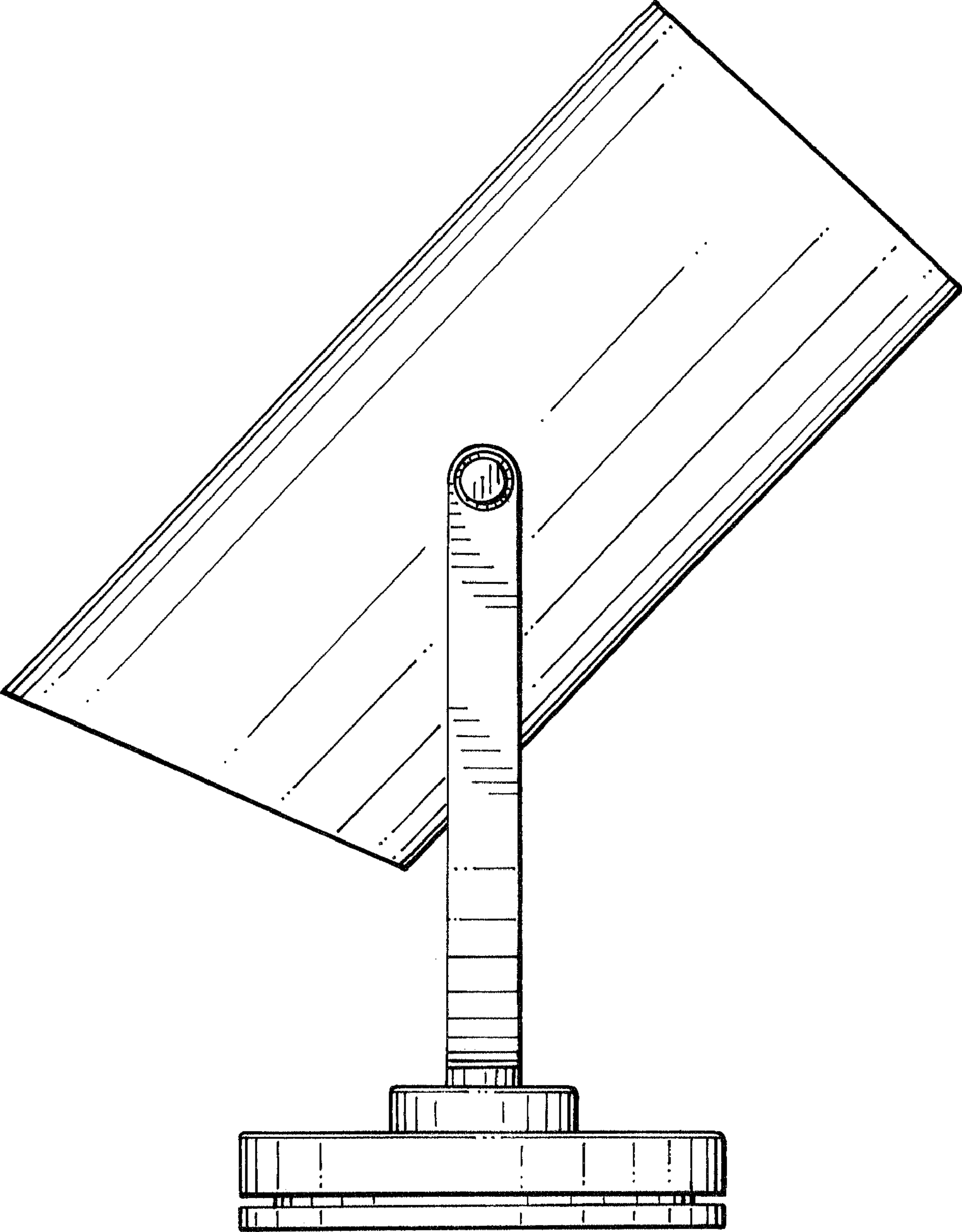


FIG. 2

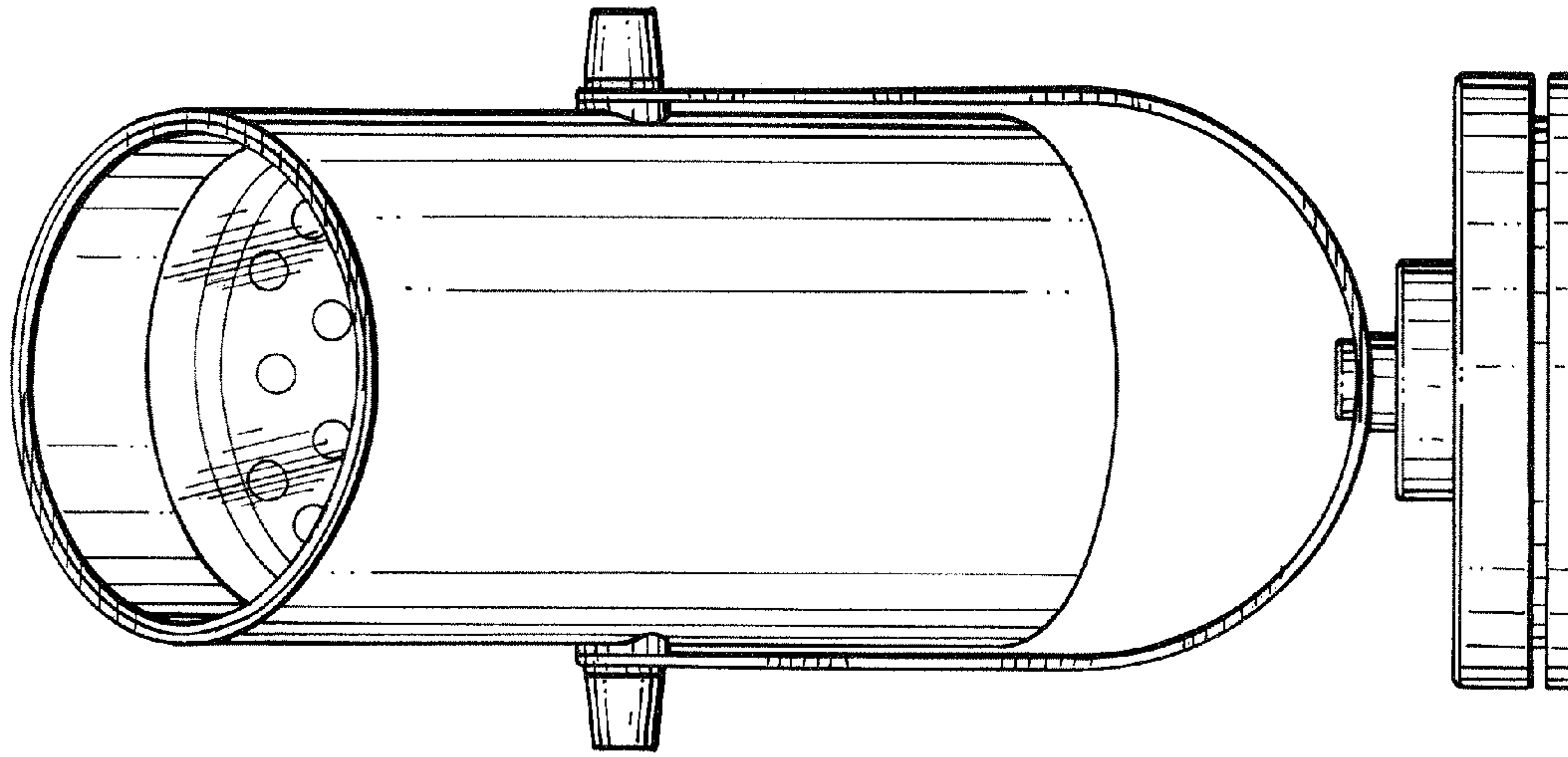


FIG. 4

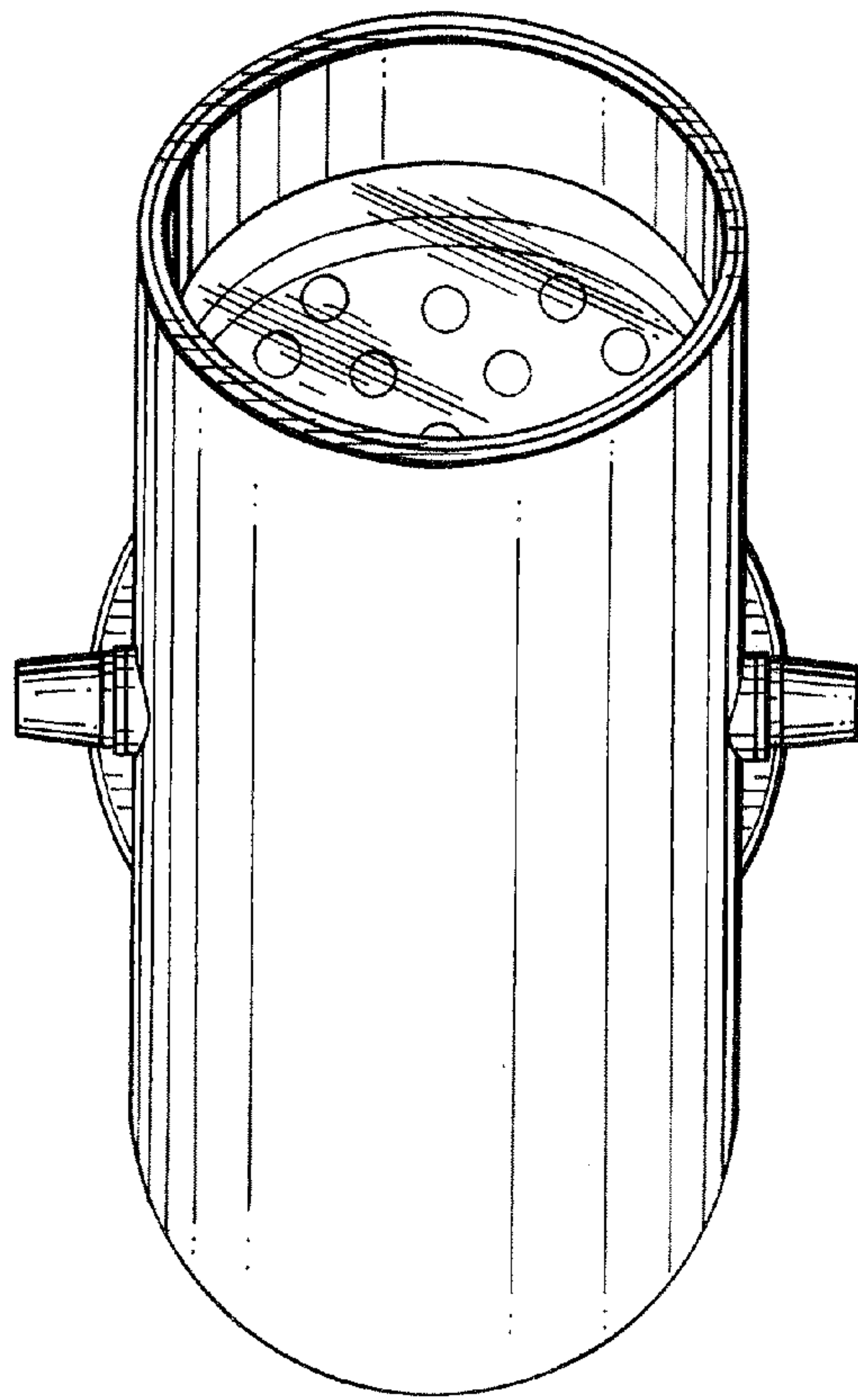


FIG. 3

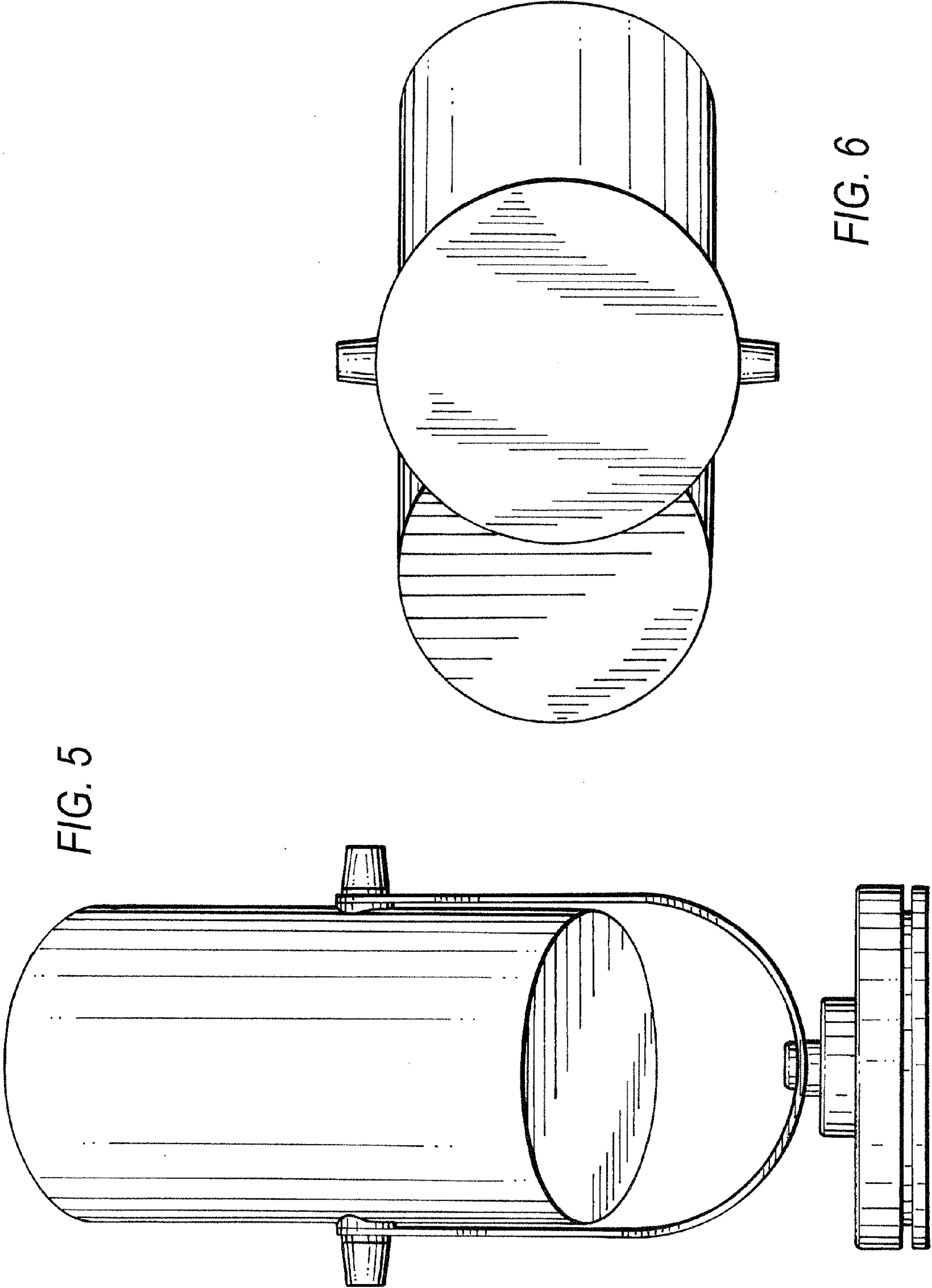


FIG. 5

FIG. 6