



US00D629548S

(12) **United States Design Patent**
Cai

(10) **Patent No.:** **US D629,548 S**

(45) **Date of Patent:** **** Dec. 21, 2010**

(54) **LED DASH LIGHT**

(76) **Inventor:** **Yimei Cai**, Ningbo Yinzhou Self
Photoelectron Technology Co., Ltd.,
Qianzhou Village, Zhonggongmiao
Town, Yinzhou Center Area, Ningbo
City, Zhejiang Province, 315194 (CN)

(**) **Term:** **14 Years**

(21) **Appl. No.:** **29/316,984**

(22) **Filed:** **Nov. 16, 2009**

(51) **LOC (9) Cl.** **26-05**

(52) **U.S. Cl.** **D26/63**

(58) **Field of Classification Search** D26/24,
D26/27-36, 61-66, 72, 76, 85, 60, 87; 362/125,
362/220-225, 217.02, 217.08, 217.09, 240,
362/249.11, 249.02, 249.12, 471, 815.45,
362/540-549, 293, 362, 800, 298, 347, 16,
362/18, 7, 374, 301, 346, 853, 867, 868;
D10/114

See application file for complete search history.

(56) **References Cited**

U.S. PATENT DOCUMENTS

D390,992 S * 2/1998 Shemitz D26/63
5,971,571 A * 10/1999 Rose 362/346

6,422,709 B1 * 7/2002 Panagiotou 362/16
D468,473 S * 1/2003 Shemitz et al. D26/76
D472,339 S * 3/2003 Russello et al. D26/87
D617,929 S * 6/2010 Kuo D26/60
2008/0080203 A1 * 4/2008 Neufeglise 362/540

* cited by examiner

Primary Examiner—Mitchell I Siegel

(74) *Attorney, Agent, or Firm*—Raymond Y. Chan; David and
Raymond Patent Firm

(57) **CLAIM**

The ornamental design for a LED dash light, as shown and
described.

DESCRIPTION

FIG. 1 is a perspective view of LED dash light showing my
new design.

FIG. 2 is a front view thereof.

FIG. 3 is a rear view thereof.

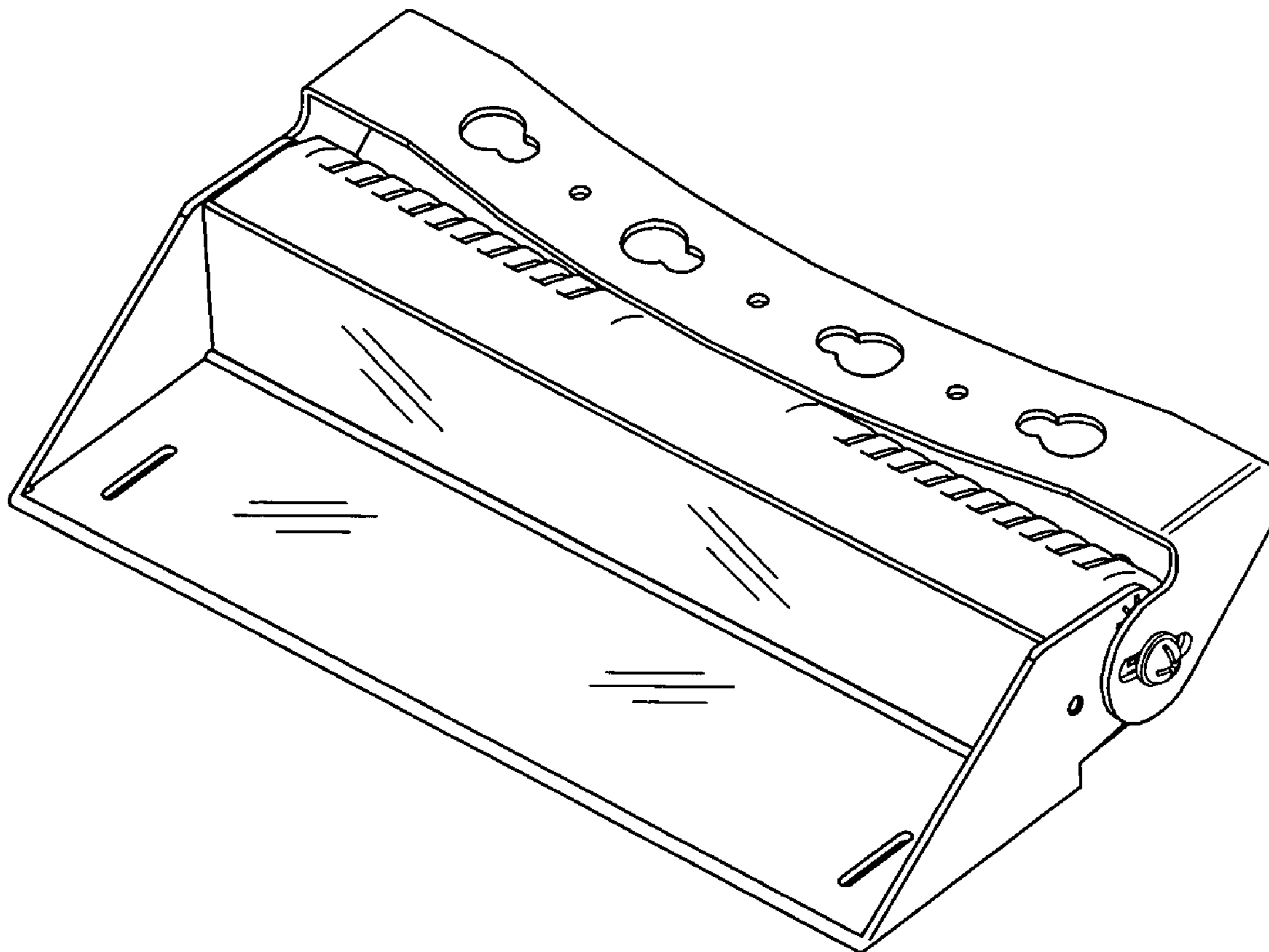
FIG. 4 is a right end view thereof.

FIG. 5 is a left end view thereof.

FIG. 6 is a top view thereof; and,

FIG. 7 is a bottom view thereof.

1 Claim, 7 Drawing Sheets



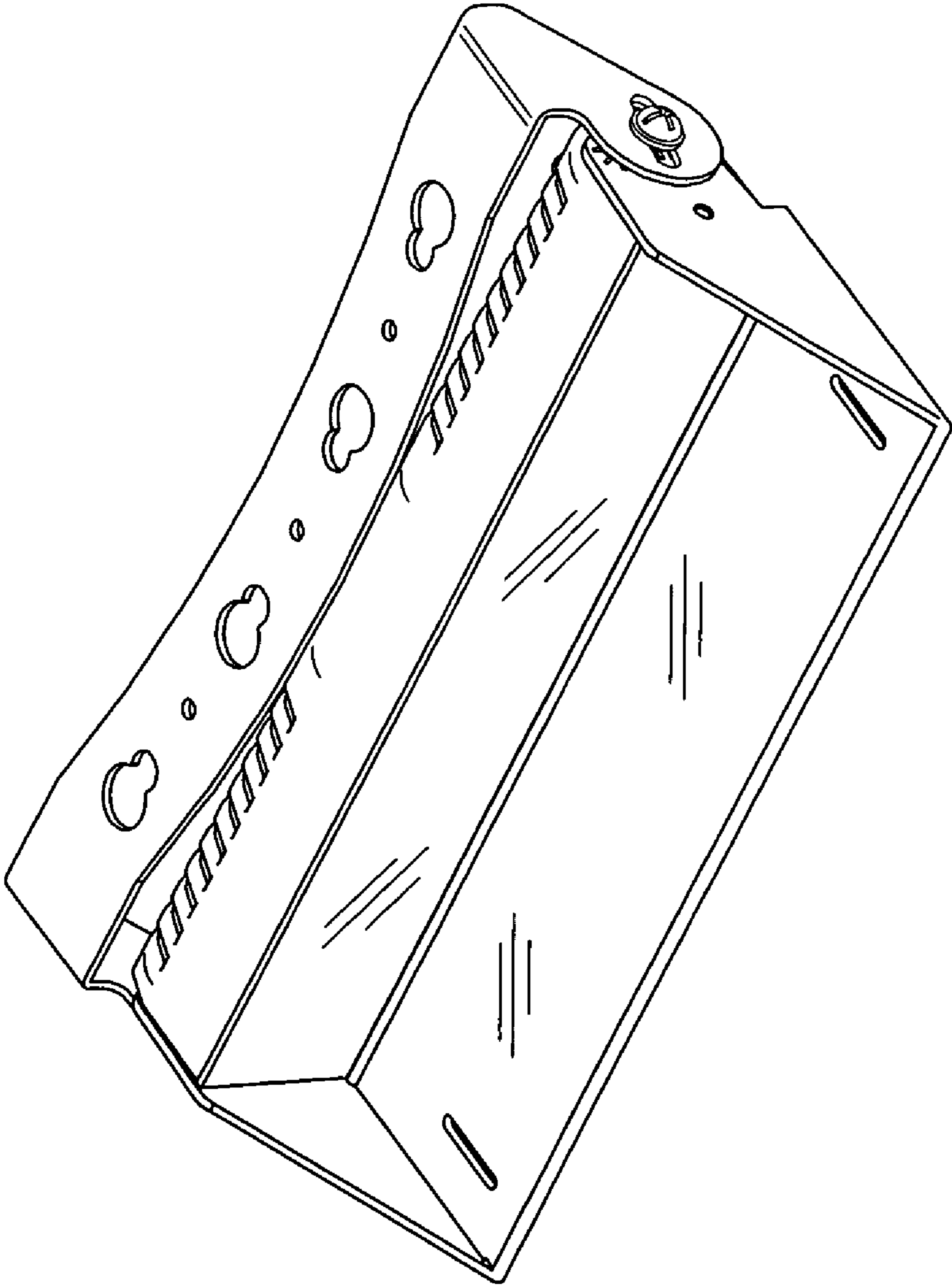


FIG. 1

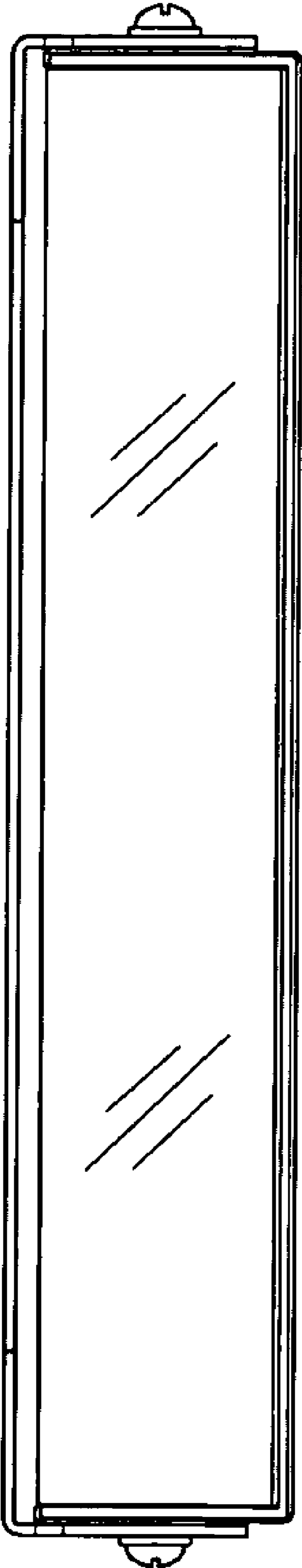


FIG. 2

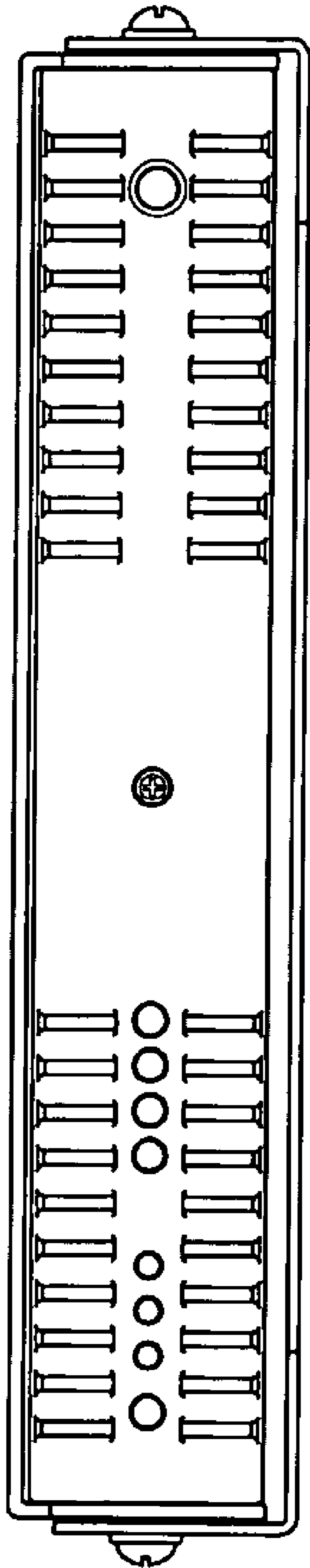


FIG. 3

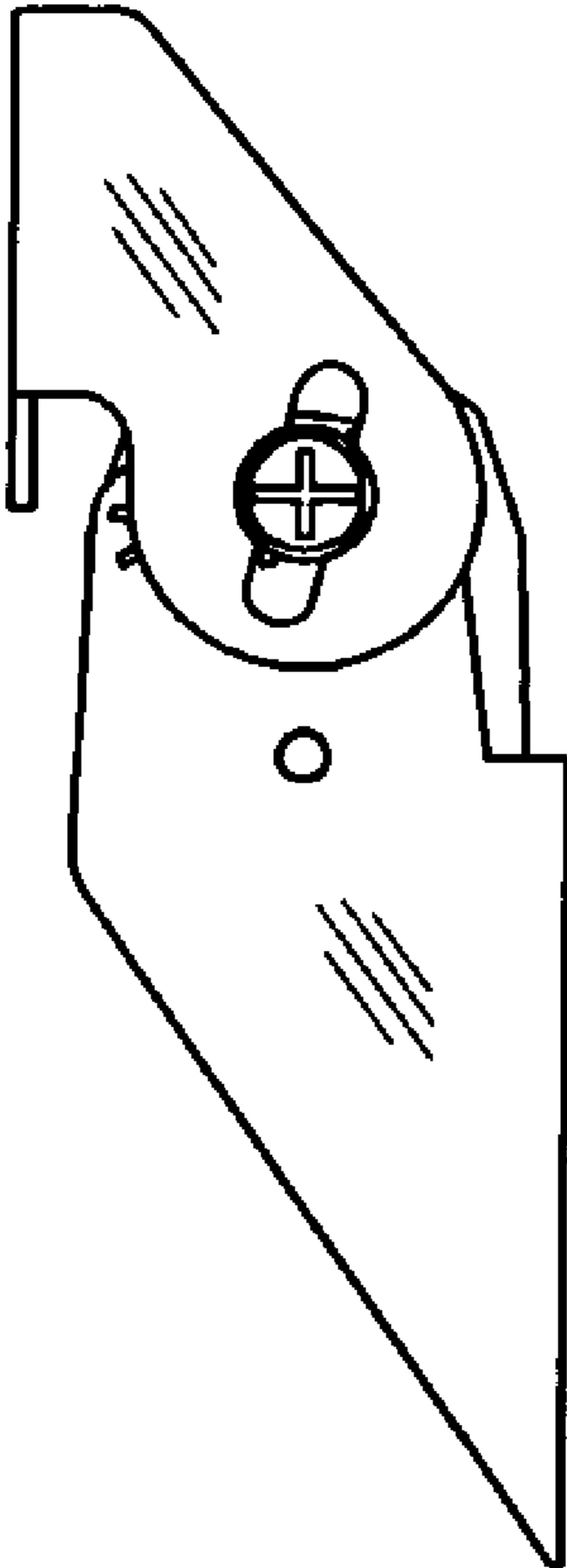


FIG. 4

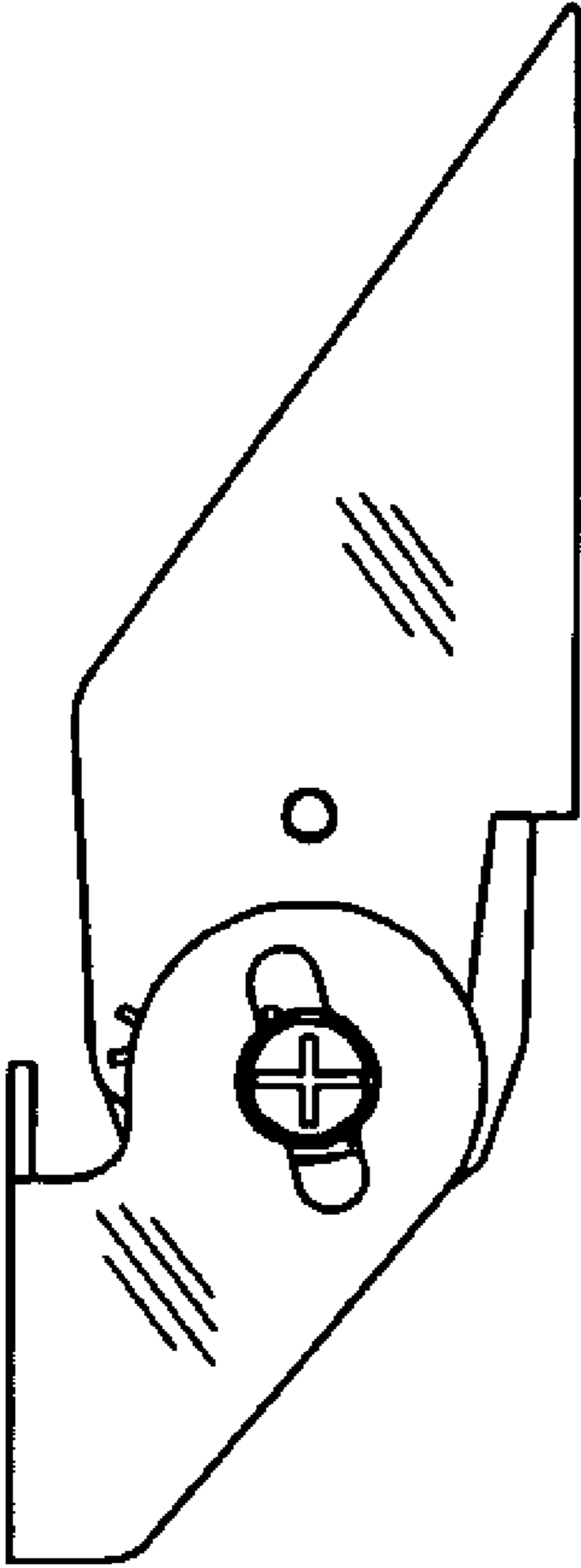


FIG. 5

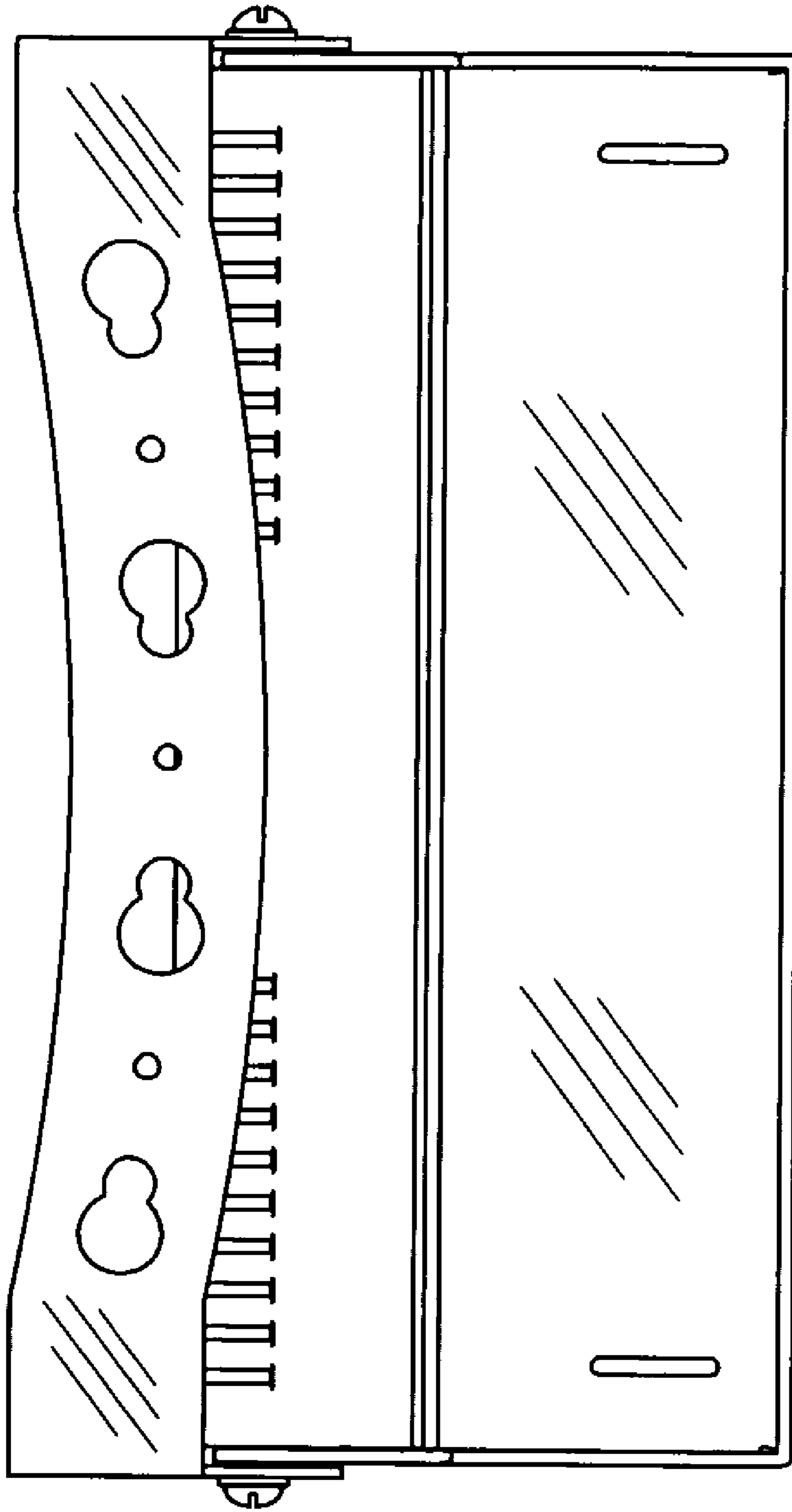


FIG. 6

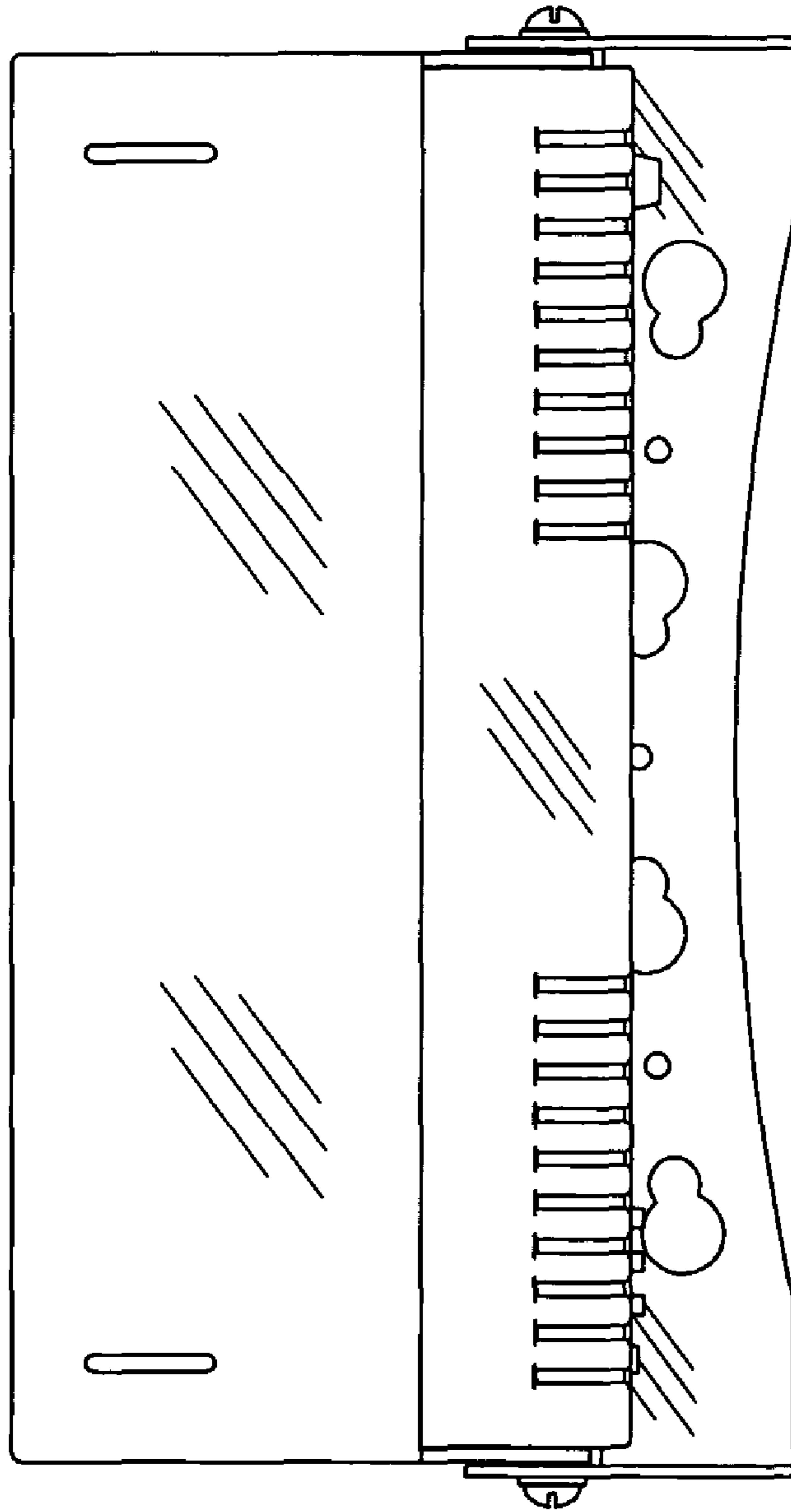


FIG. 7