



US00D629547S

(12) **United States Design Patent**
Salm

(10) **Patent No.:** **US D629,547 S**

(45) **Date of Patent:** **** *Dec. 21, 2010**

(54) **LIGHTS**

(75) Inventor: **Markus Salm**, Heusweiler (DE)

(73) Assignee: **GLP German Light Products GmbH**
(DE)

(**) Term: **14 Years**

(21) Appl. No.: **29/295,056**

(22) Filed: **Sep. 20, 2007**

(51) **LOC (9) Cl.** **26-05**

(52) **U.S. Cl.** **D26/63**

(58) **Field of Classification Search** D26/60,
D26/61, 62, 63, 64, 65, 66, 72, 81, 88, 89,
D26/90, 91, 154, 24, 44; 362/145, 147, 148,
362/150, 218, 220, 223, 648, 227, 238, 239,
362/249, 250, 372, 418, 430, 269, 270, 271,
362/272, 273, 274, 277, 278, 282, 283, 285,
362/287, 288, 290, 309, 427

See application file for complete search history.

(56) **References Cited**

U.S. PATENT DOCUMENTS

D75,094 S * 5/1928 Bissell D26/63
5,205,643 A * 4/1993 Lin 362/371
D345,616 S * 3/1994 Lin D26/63
D354,558 S * 1/1995 Marvin et al. D23/411

D370,990 S * 6/1996 Lin D26/63
D372,550 S * 8/1996 Stultz D26/63
D417,024 S * 11/1999 Stuyfzand D26/63
6,227,681 B1 * 5/2001 Shoemaker et al. 362/269
D518,218 S * 3/2006 Roberge et al. D26/63
D550,878 S * 9/2007 Korpi D26/63
D558,376 S * 12/2007 Posey et al. D26/72
D586,491 S * 2/2009 Levine D26/63
D587,833 S * 3/2009 Bina et al. D26/63

* cited by examiner

Primary Examiner—Angela J Lee

(74) *Attorney, Agent, or Firm*—Michael A. Glenn; Glenn Patent Group

(57) **CLAIM**

The ornamental design for lights, as shown and described.

DESCRIPTION

FIG. 1 is a top plan view.

FIG. 2 is a rear, perspective view.

FIG. 3 is a front, perspective view.

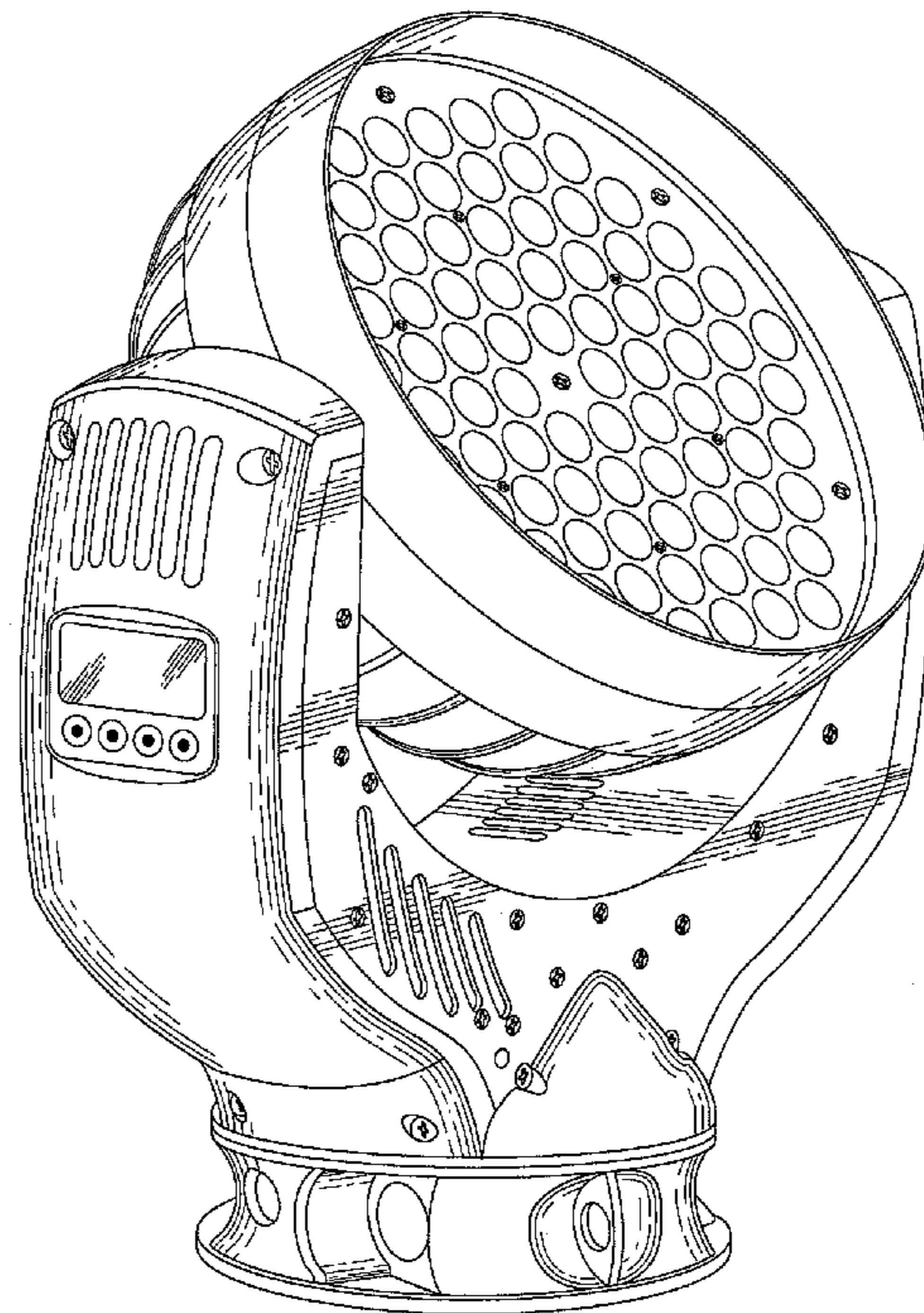
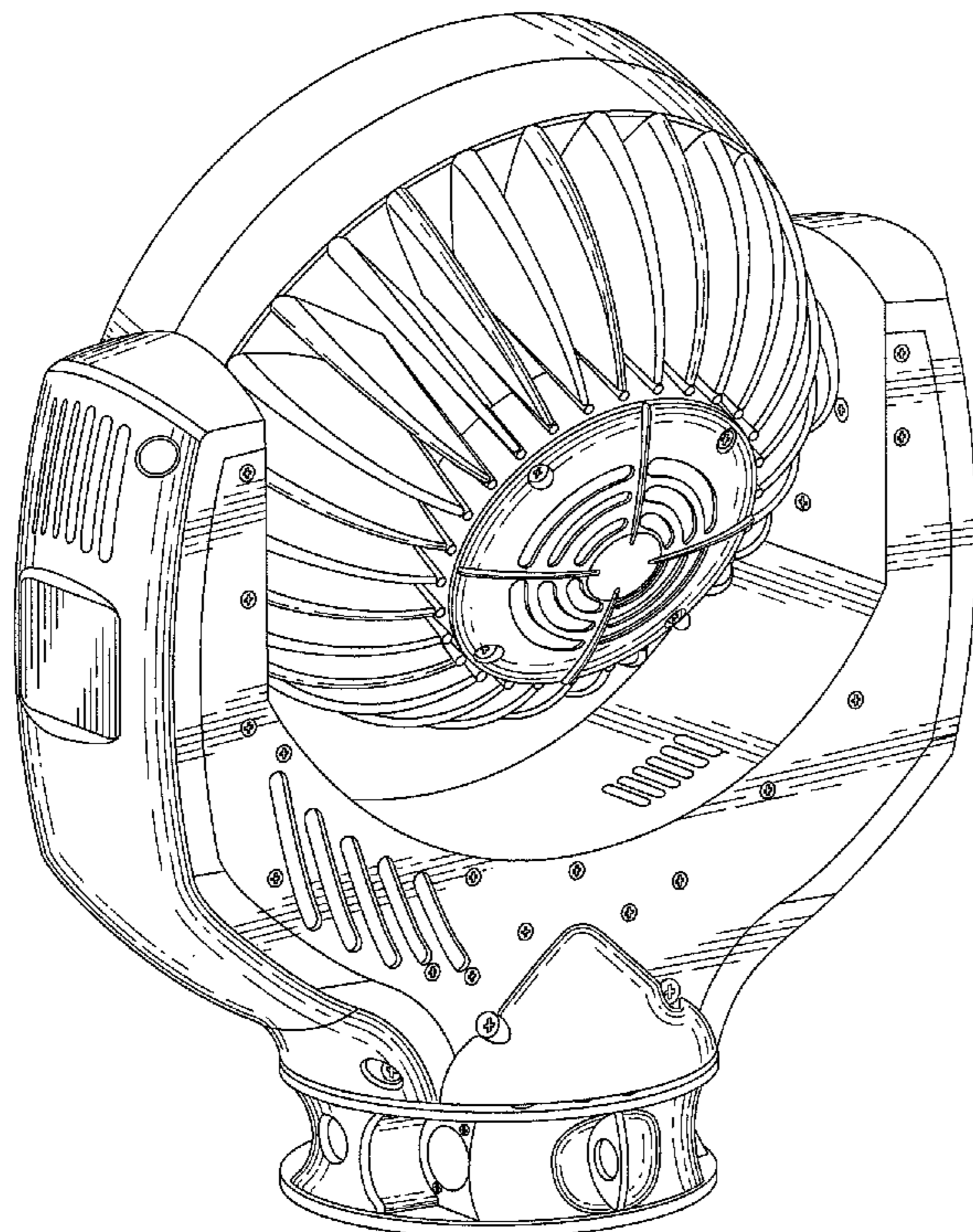
FIG. 4 is a right side view.

FIG. 5 is a rear view.

FIG. 6 is a front view; and,

FIG. 7 is a left side view.

1 Claim, 7 Drawing Sheets



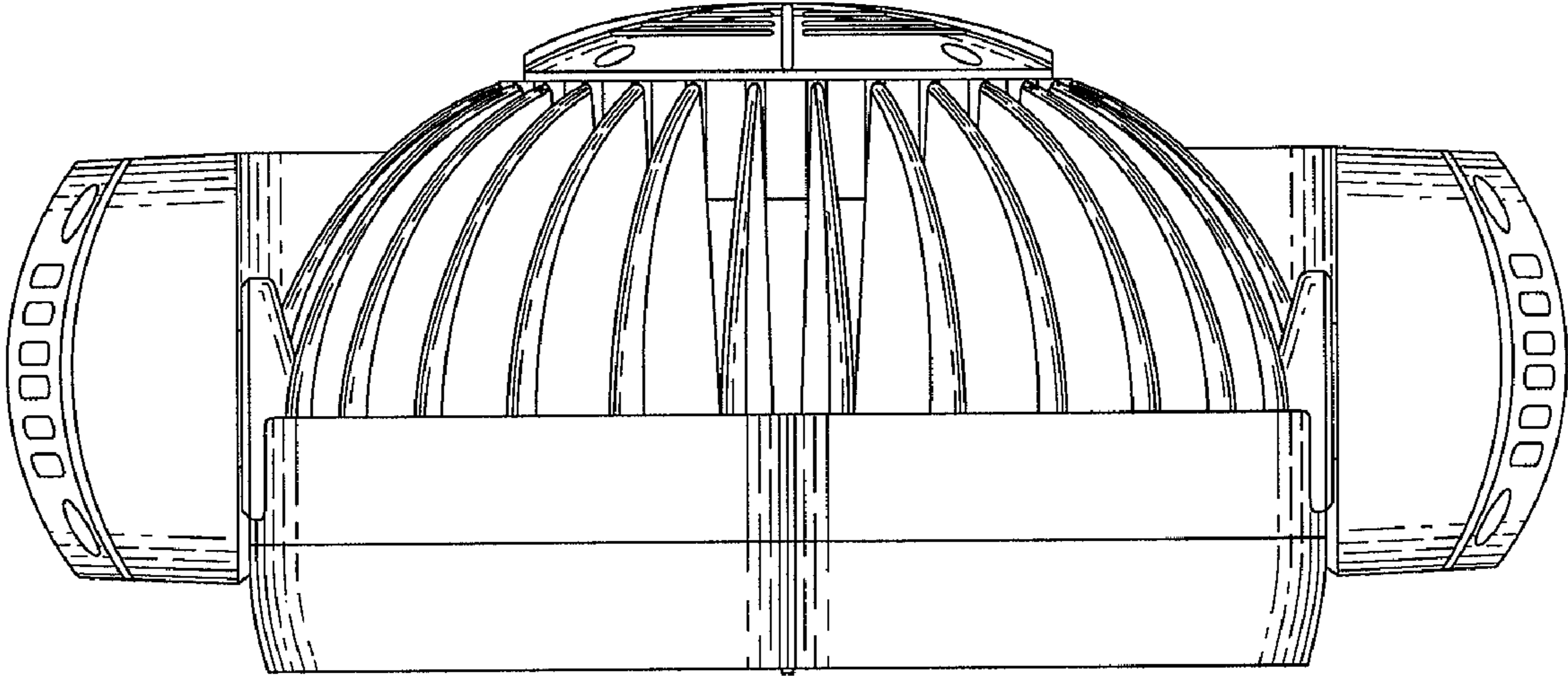


FIG. 1

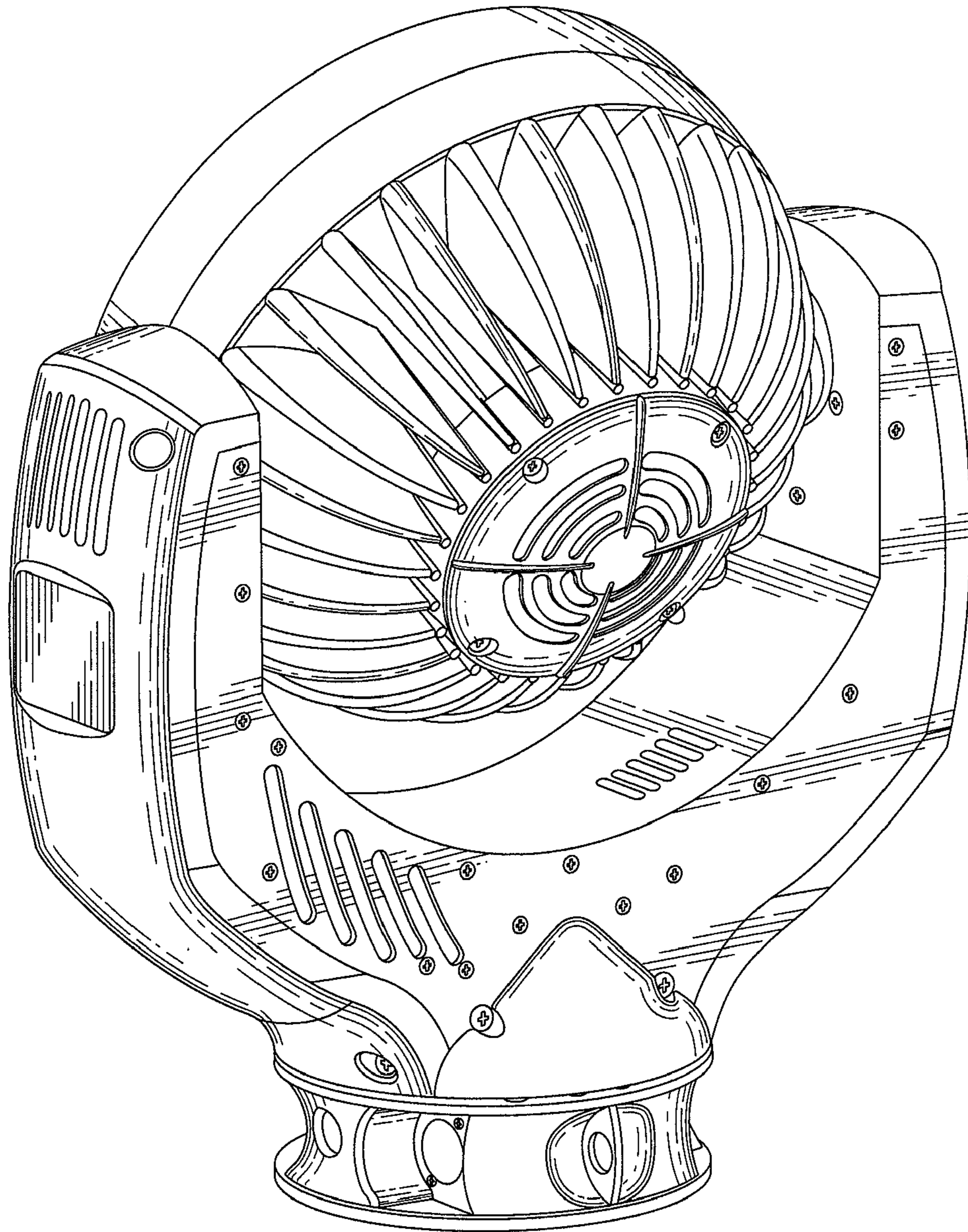


FIG. 2

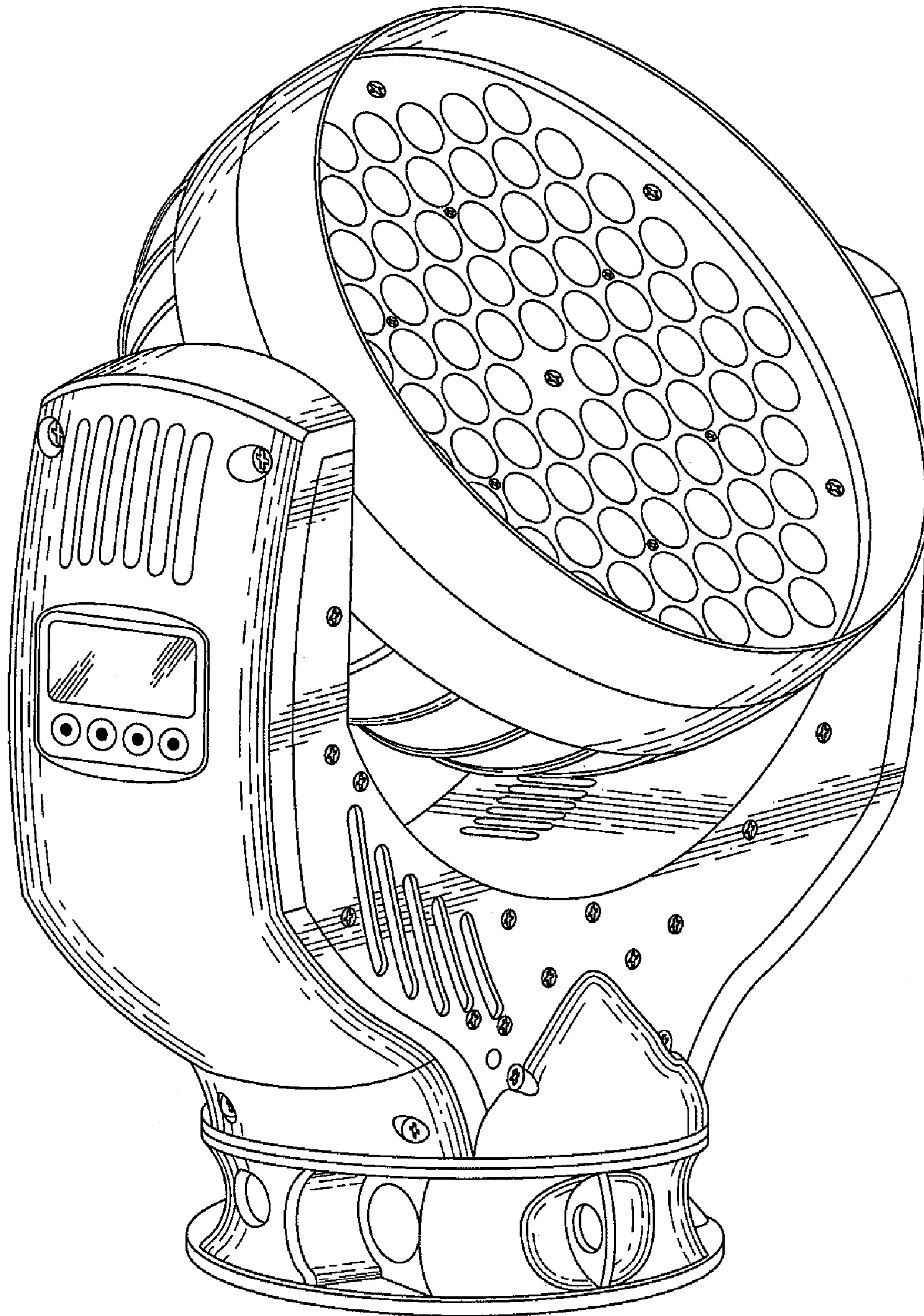


FIG. 3

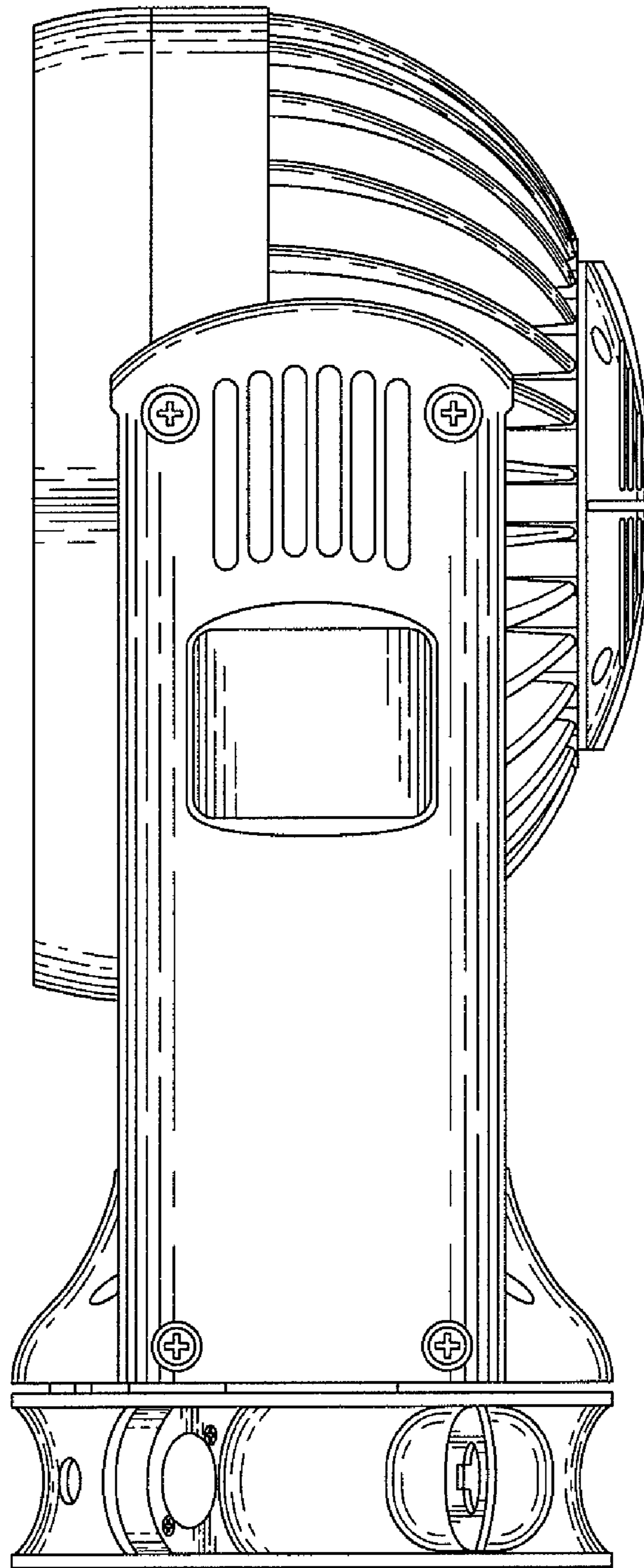


FIG. 4

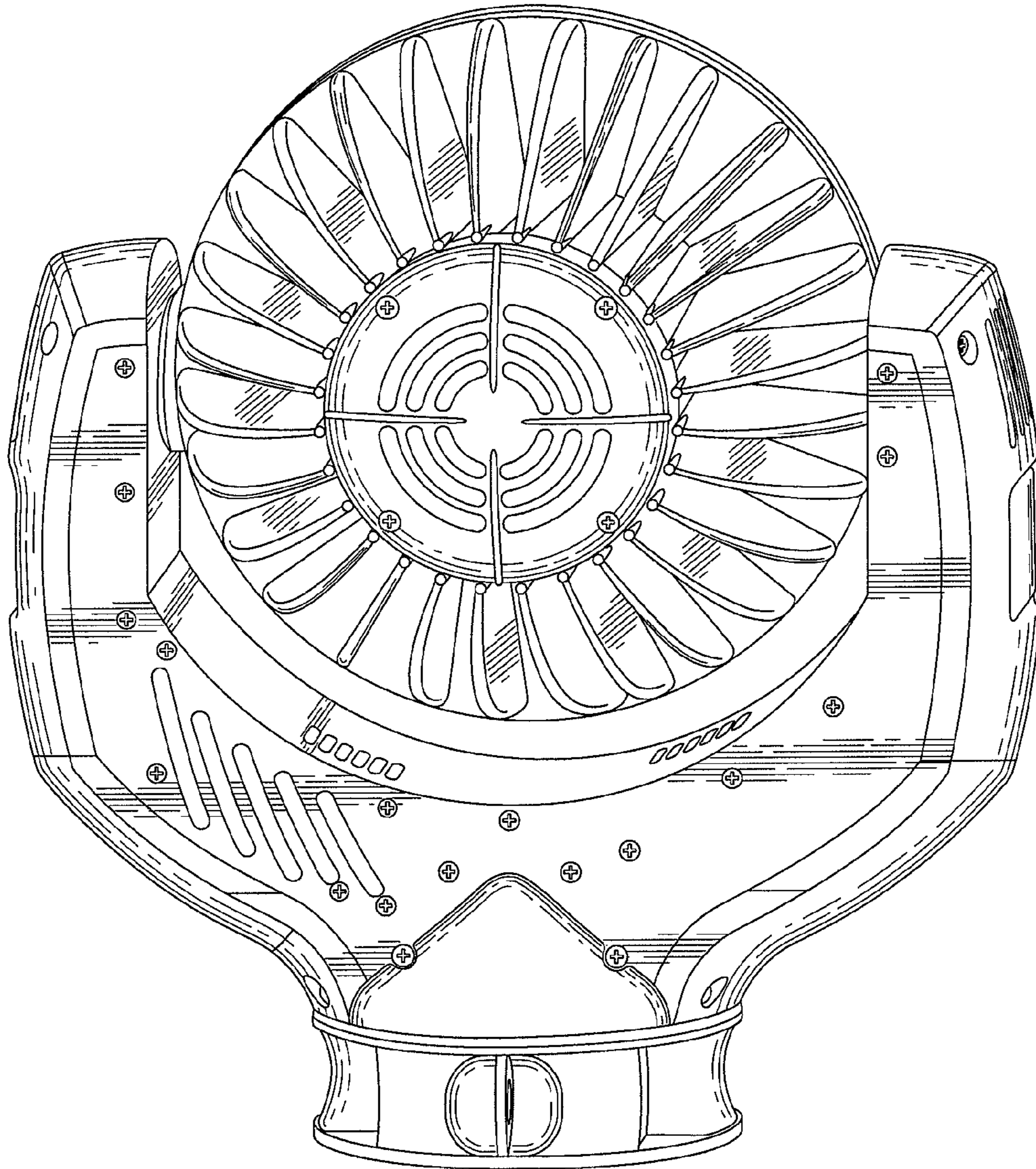


FIG. 5

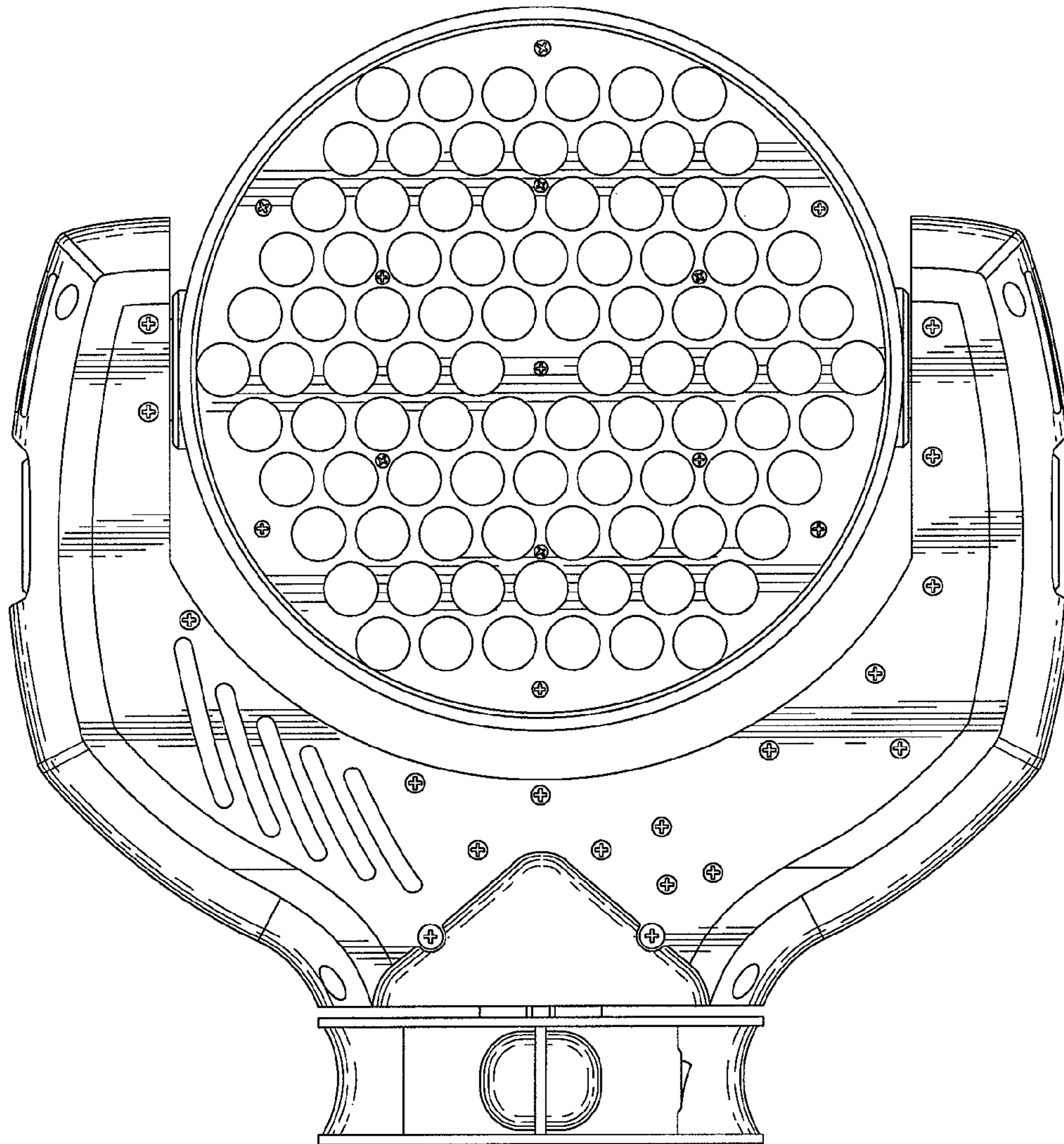


FIG. 6

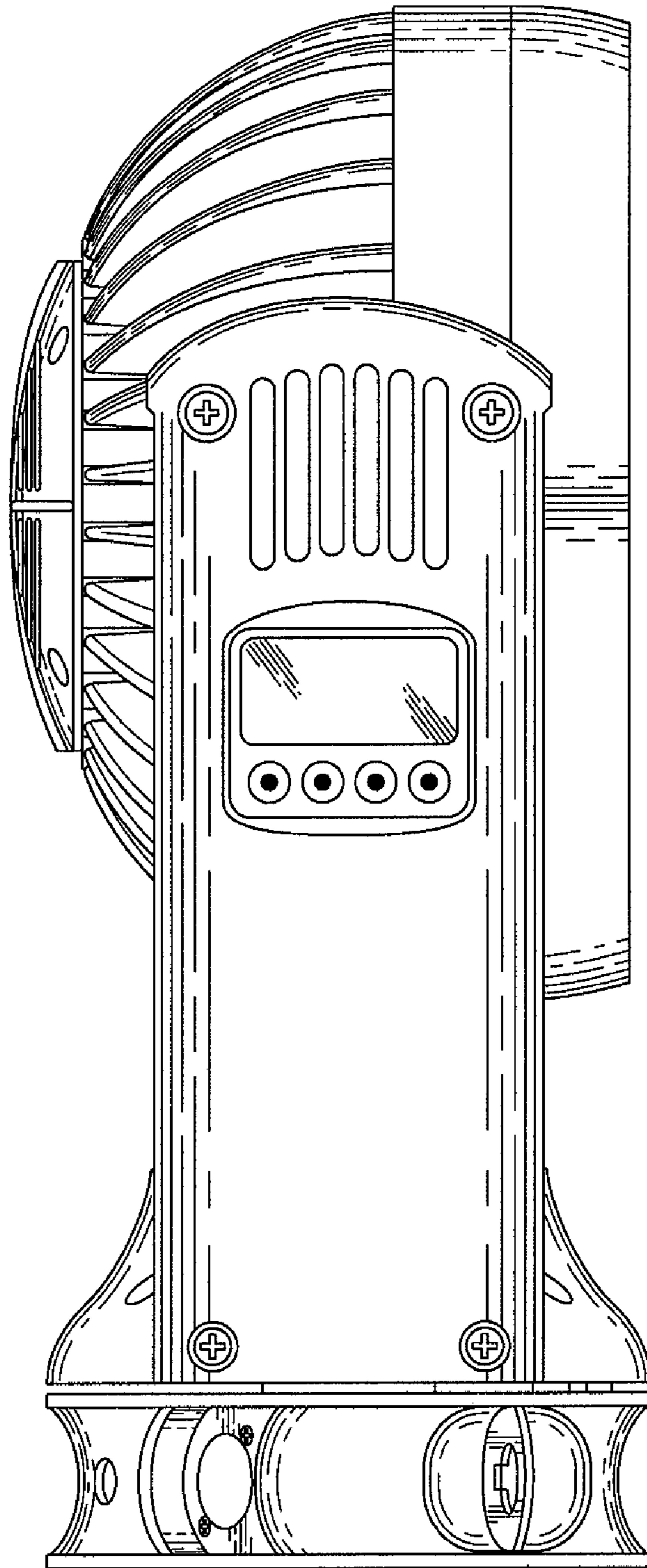


FIG. 7