



US00D629546S

(12) **United States Design Patent**
Deguglimo et al.

(10) **Patent No.:** **US D629,546 S**

(45) **Date of Patent:** **** Dec. 21, 2010**

(54) **FLASHLIGHT**

(75) Inventors: **Joseph Deguglimo**, Boca Raton, FL (US); **Glenn Robinson**, Coral Springs, FL (US); **Francisco Molina**, Davie, FL (US)

(73) Assignee: **IBT Holdings, LLC**, Deerfield Beach, FL (US)

(**) Term: **14 Years**

(21) Appl. No.: **29/349,708**

(22) Filed: **Apr. 26, 2010**

(51) **LOC (9) Cl.** **26-02**

(52) **U.S. Cl.** **D26/49**

(58) **Field of Classification Search** D26/37,
D26/38, 46, 49; 362/157, 158, 184, 194-196,
362/202-208

See application file for complete search history.

(56) **References Cited**

U.S. PATENT DOCUMENTS

D307,488 S * 4/1990 Sharrah D26/49
D479,354 S * 9/2003 Sharrah et al. D26/49

D486,935 S * 2/2004 Shiu D26/49
D488,877 S * 4/2004 Shin D26/49
D557,840 S * 12/2007 Shiu D26/37
D576,757 S * 9/2008 Hesse et al. D26/49

* cited by examiner

Primary Examiner—Charles A Rademaker

Assistant Examiner—Carissa C Fitts

(74) *Attorney, Agent, or Firm*—Dan M. DeLaRosa

(57) **CLAIM**

The ornamental design for a flashlight, as shown and described.

DESCRIPTION

FIG. 1 is a front perspective view of the flashlight of the present invention showing my new design;

FIG. 2 is a front side elevational view thereof;

FIG. 3 is a back side elevational view thereof;

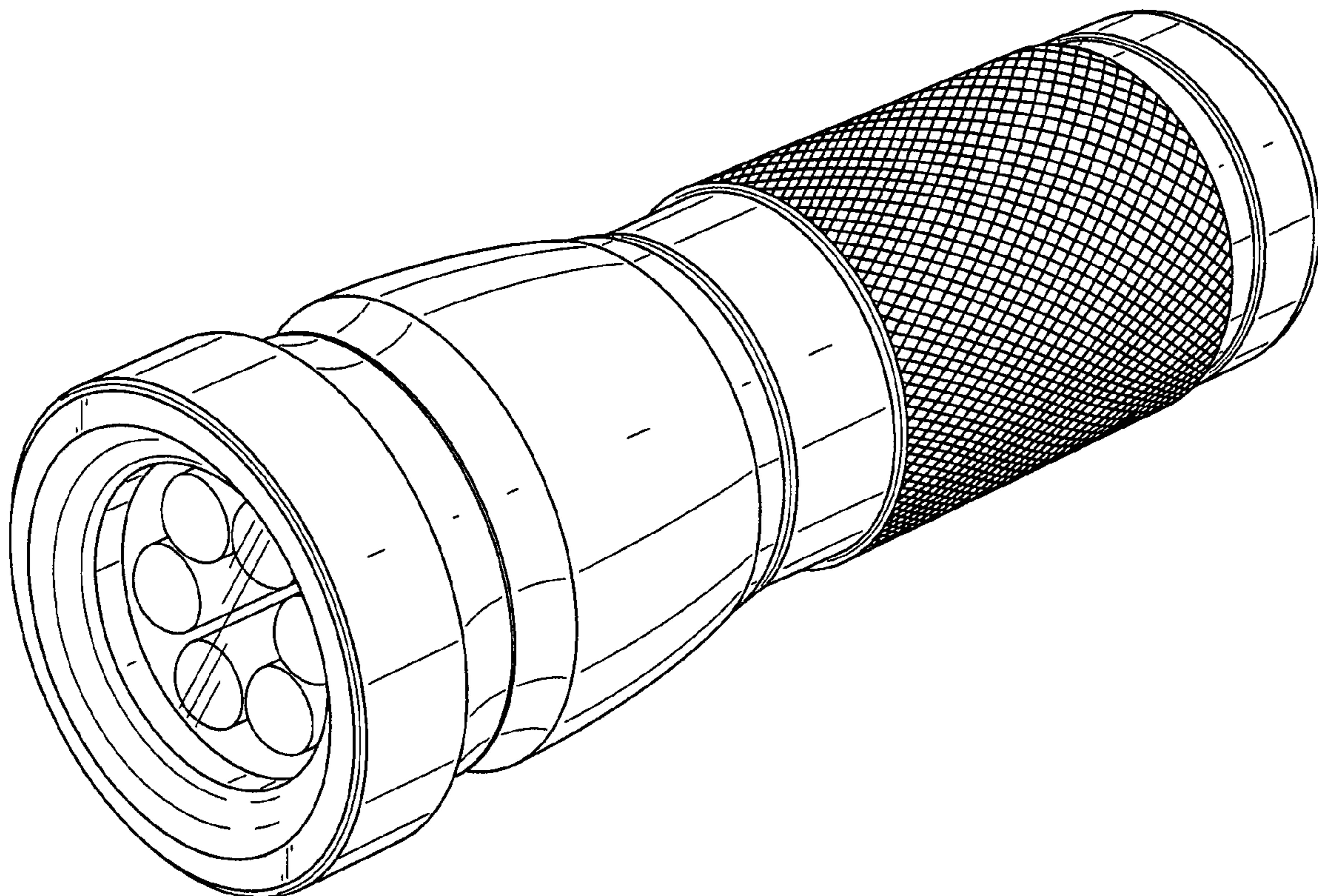
FIG. 4 is a side elevational view thereof;

FIG. 5 is another side elevational view thereof;

FIG. 6 is a top plan view thereof; and,

FIG. 7 is a bottom plan view thereof.

1 Claim, 6 Drawing Sheets



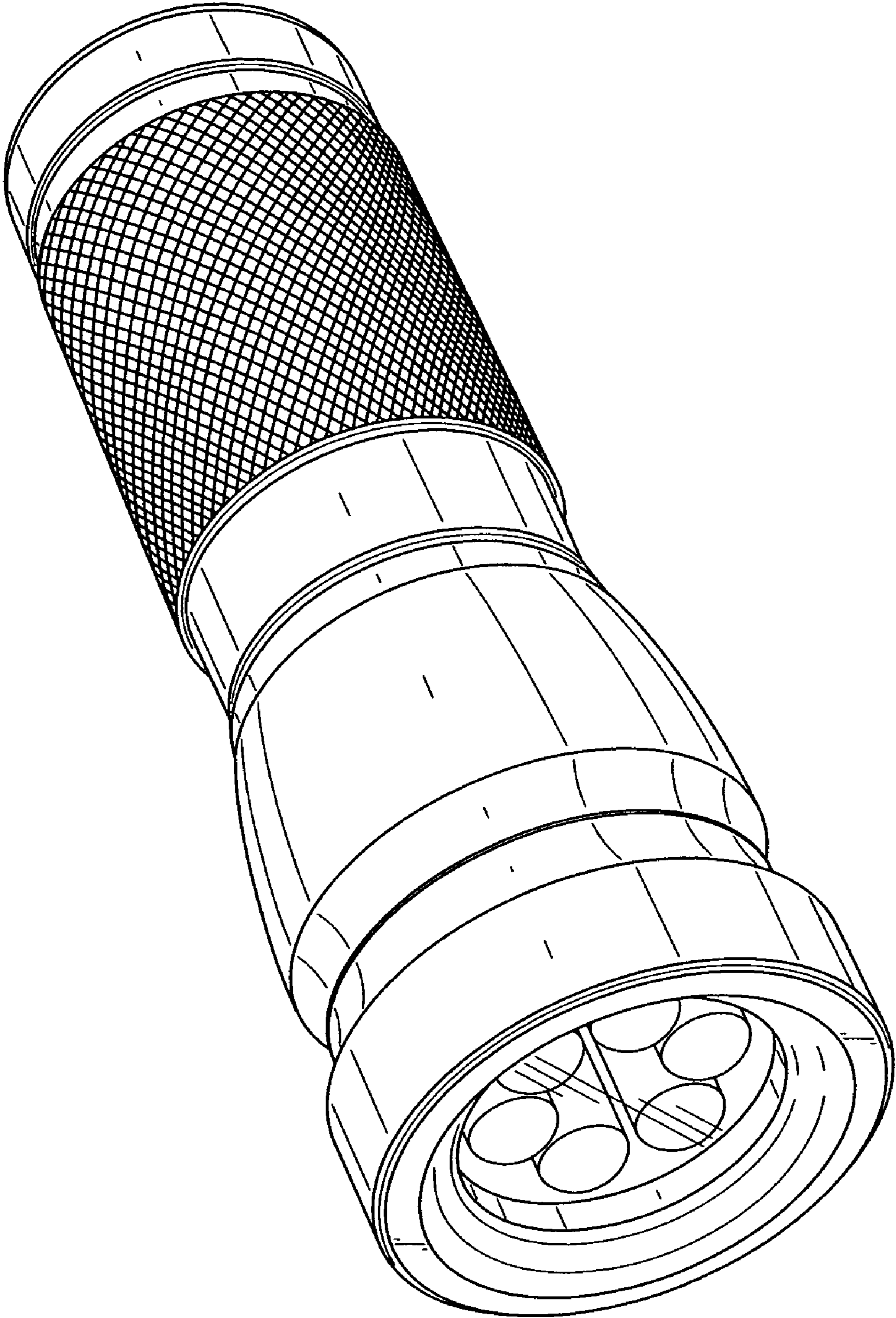


FIG. 1

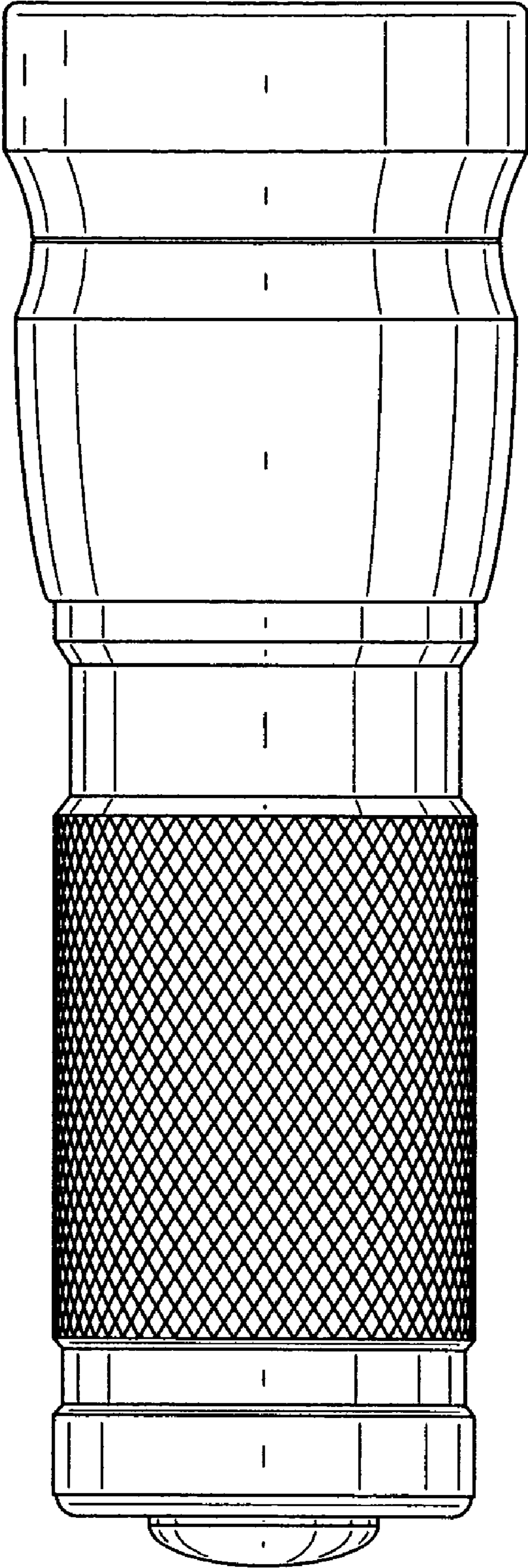


FIG. 2

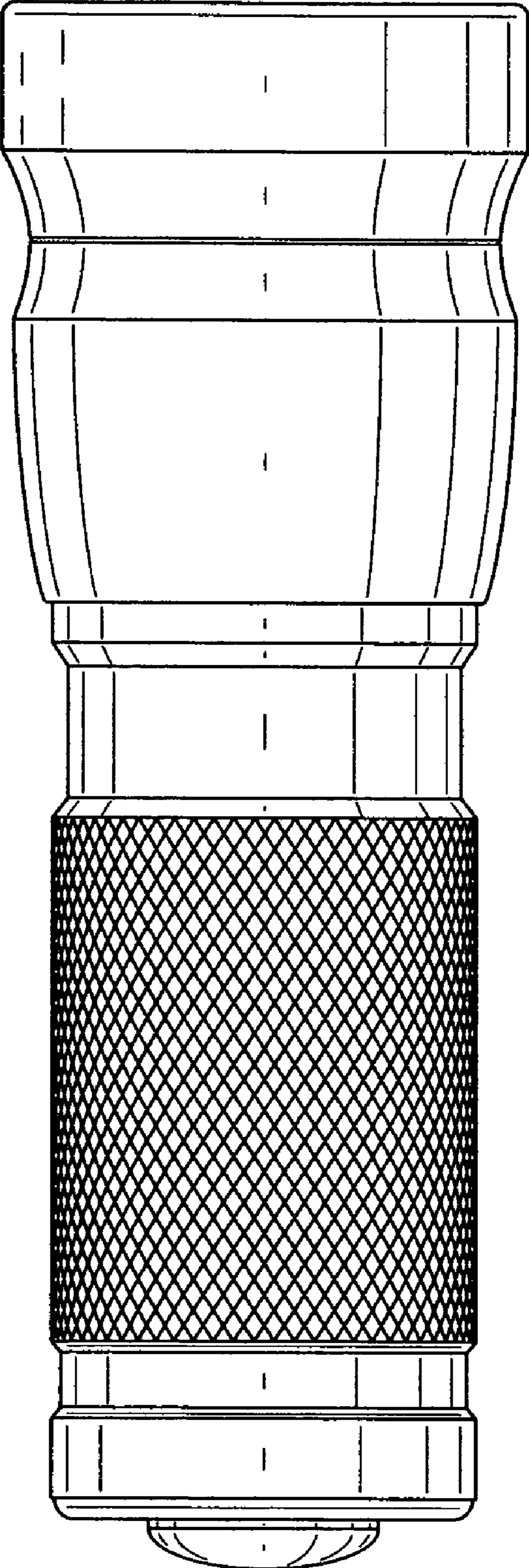


FIG. 3

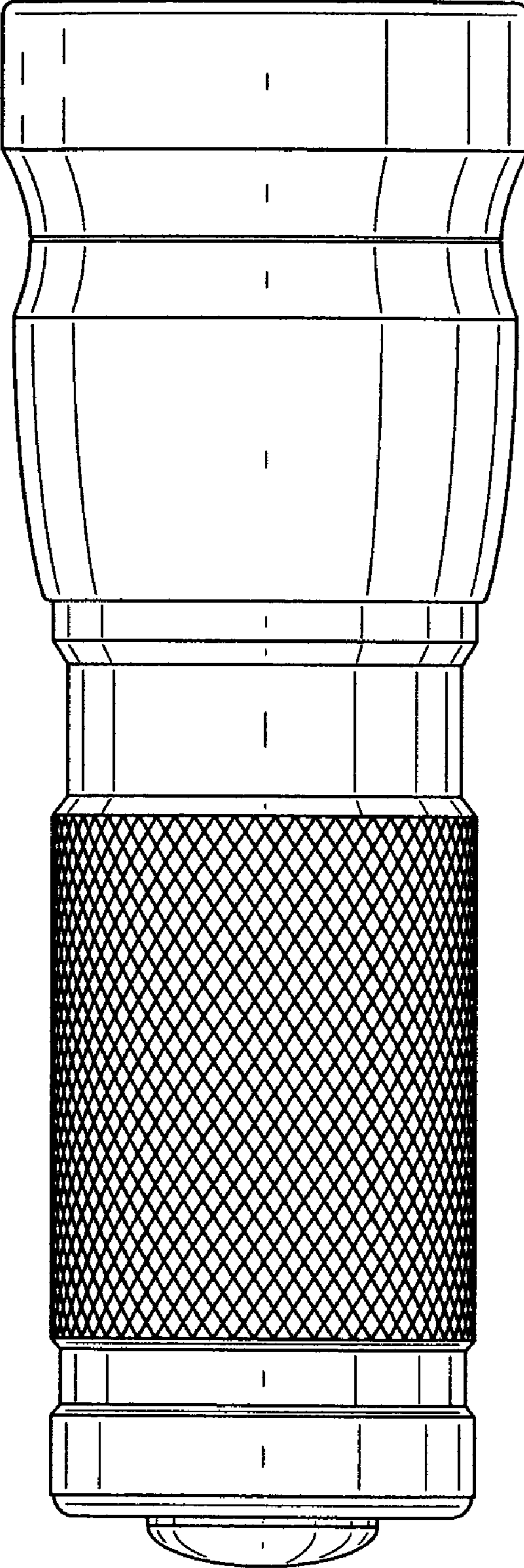


FIG. 4

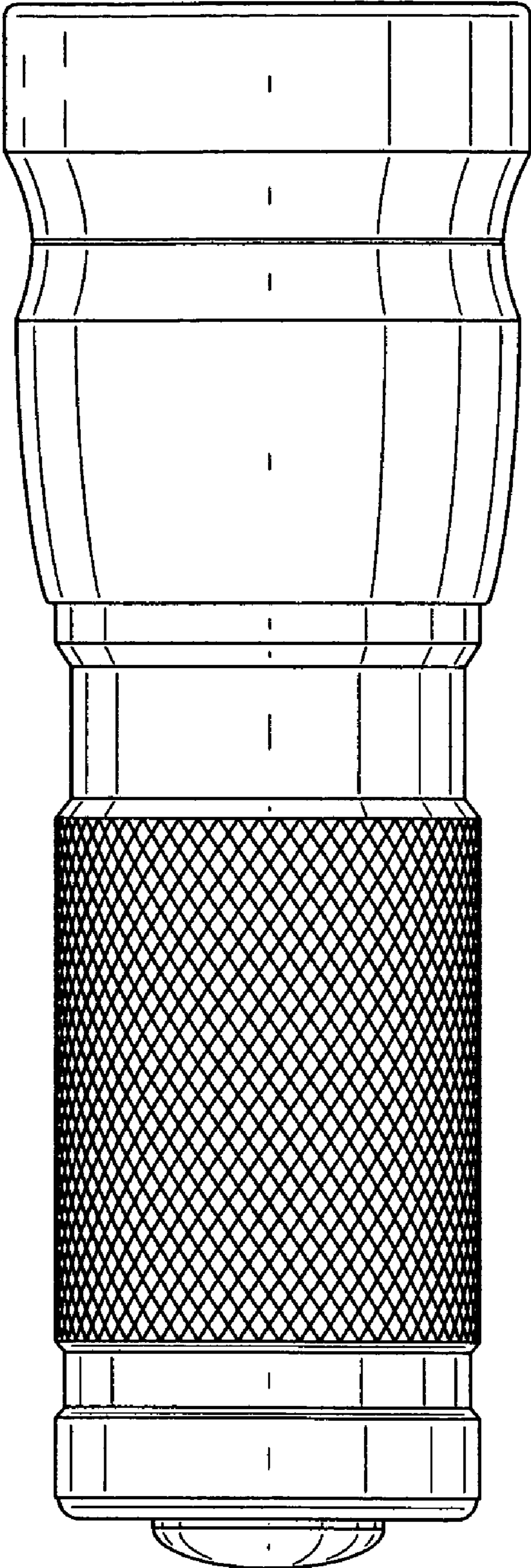


FIG. 5

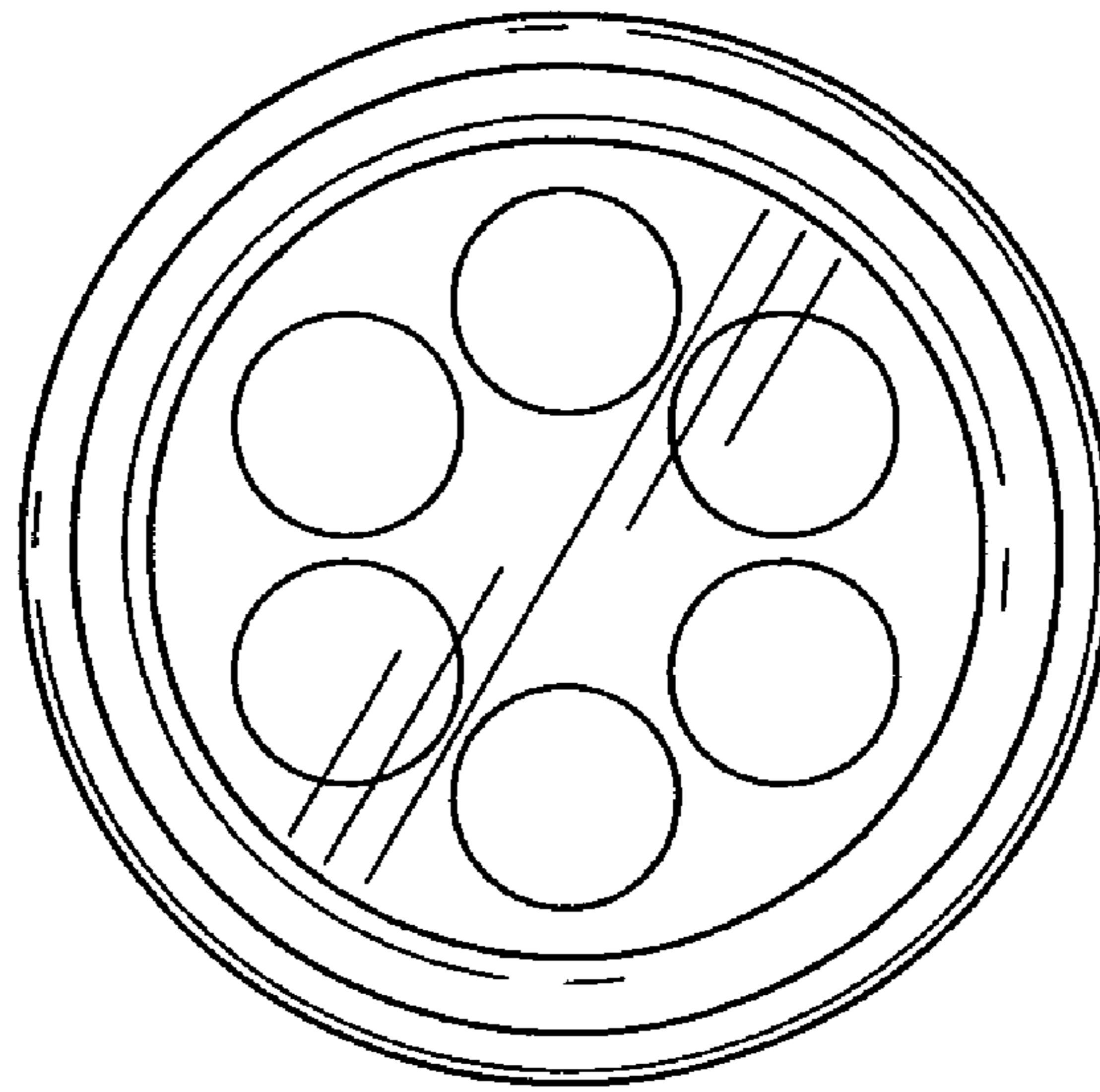


FIG. 6

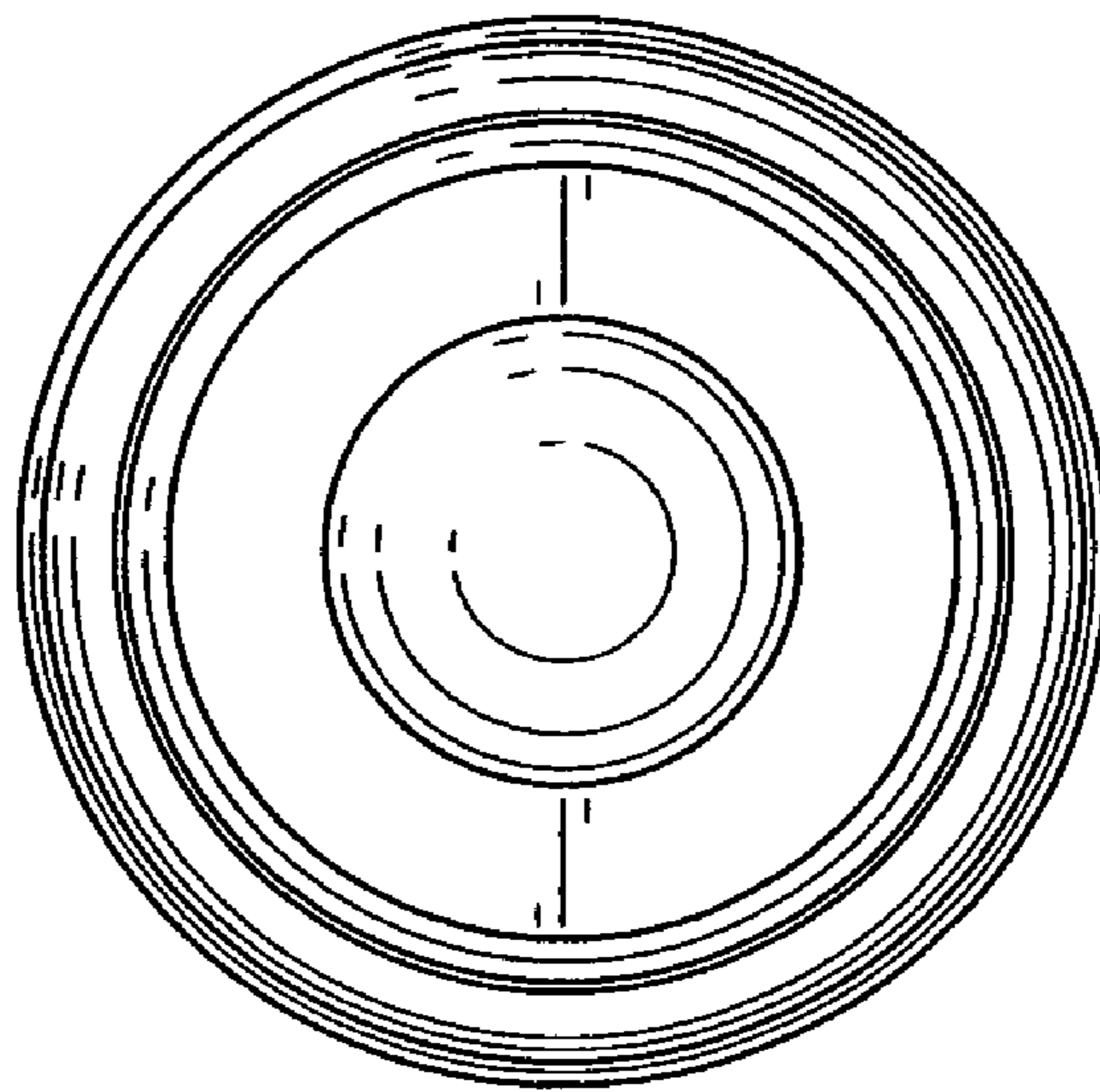


FIG. 7