



US00D629545S

(12) **United States Design Patent**
Deguglimo et al.

(10) **Patent No.:** **US D629,545 S**

(45) **Date of Patent:** **** Dec. 21, 2010**

(54) **FLASHLIGHT WITH GLOW RING**

(75) Inventors: **Joseph Deguglimo**, Boca Raton, FL
(US); **Glenn Robinson**, Coral Springs,
FL (US)

(73) Assignee: **IBT Holdings, LLC**, Deerfield Beach,
FL (US)

(**) Term: **14 Years**

(21) Appl. No.: **29/349,707**

(22) Filed: **Apr. 26, 2010**

(51) **LOC (9) Cl.** **26-02**

(52) **U.S. Cl.** **D26/49**

(58) **Field of Classification Search** D26/37,
D26/38, 46, 49; 362/157, 158, 184, 194-196,
362/202-208

See application file for complete search history.

(56) **References Cited**

U.S. PATENT DOCUMENTS

D149,230 S *	4/1948	Schlotterbeck	D26/46
D486,935 S *	2/2004	Shiu	D26/49
D486,937 S *	2/2004	Shiu	D26/49
D504,530 S *	4/2005	Shiu	D26/37
D515,719 S *	2/2006	Shiu	D26/37
D525,733 S *	7/2006	Shiao	D26/37

D532,138 S *	11/2006	Wang et al.	D26/49
D564,116 S *	3/2008	Linardos	D26/49
D572,395 S *	7/2008	Guelzow et al.	D26/49
D576,757 S *	9/2008	Hesse et al.	D26/49
D596,772 S *	7/2009	Chang	D26/49
D601,285 S *	9/2009	Chen	D26/49
D624,677 S *	9/2010	Deguglimo et al.	D26/49

* cited by examiner

Primary Examiner—Charles A Rademaker

Assistant Examiner—Carissa C Fitts

(74) *Attorney, Agent, or Firm*—Dan M. DeLaRosa

(57) **CLAIM**

The ornamental design for a flashlight with a glow ring, as shown and described.

DESCRIPTION

FIG. 1 is a front perspective view of the flashlight of the present invention showing my new design;

FIG. 2 is a front side elevational view thereof;

FIG. 3 is a back side elevational view thereof;

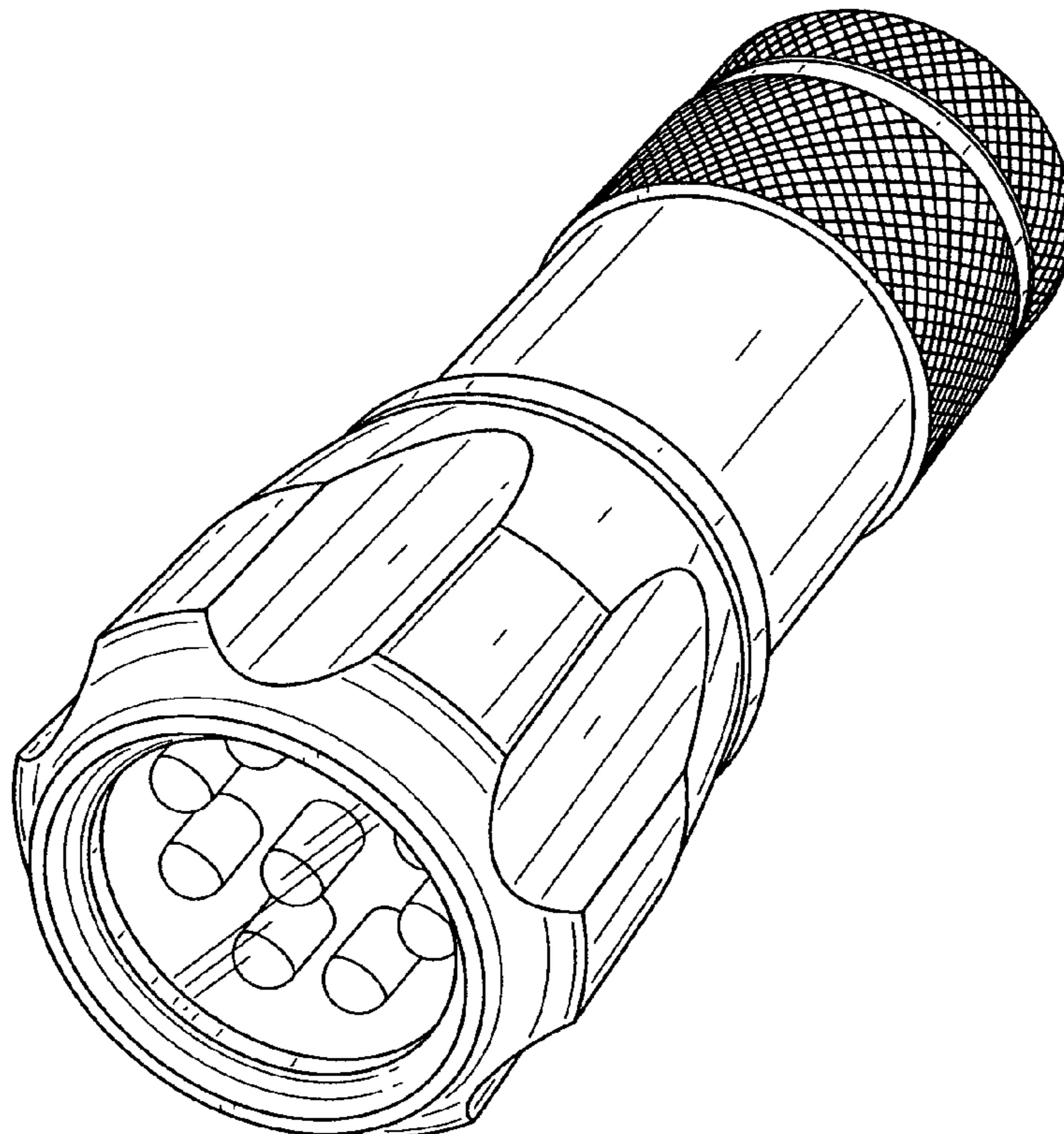
FIG. 4 is a side elevational view thereof;

FIG. 5 is another side elevational view thereof;

FIG. 6 is a top plan view thereof; and,

FIG. 7 is a bottom plan view thereof.

1 Claim, 4 Drawing Sheets



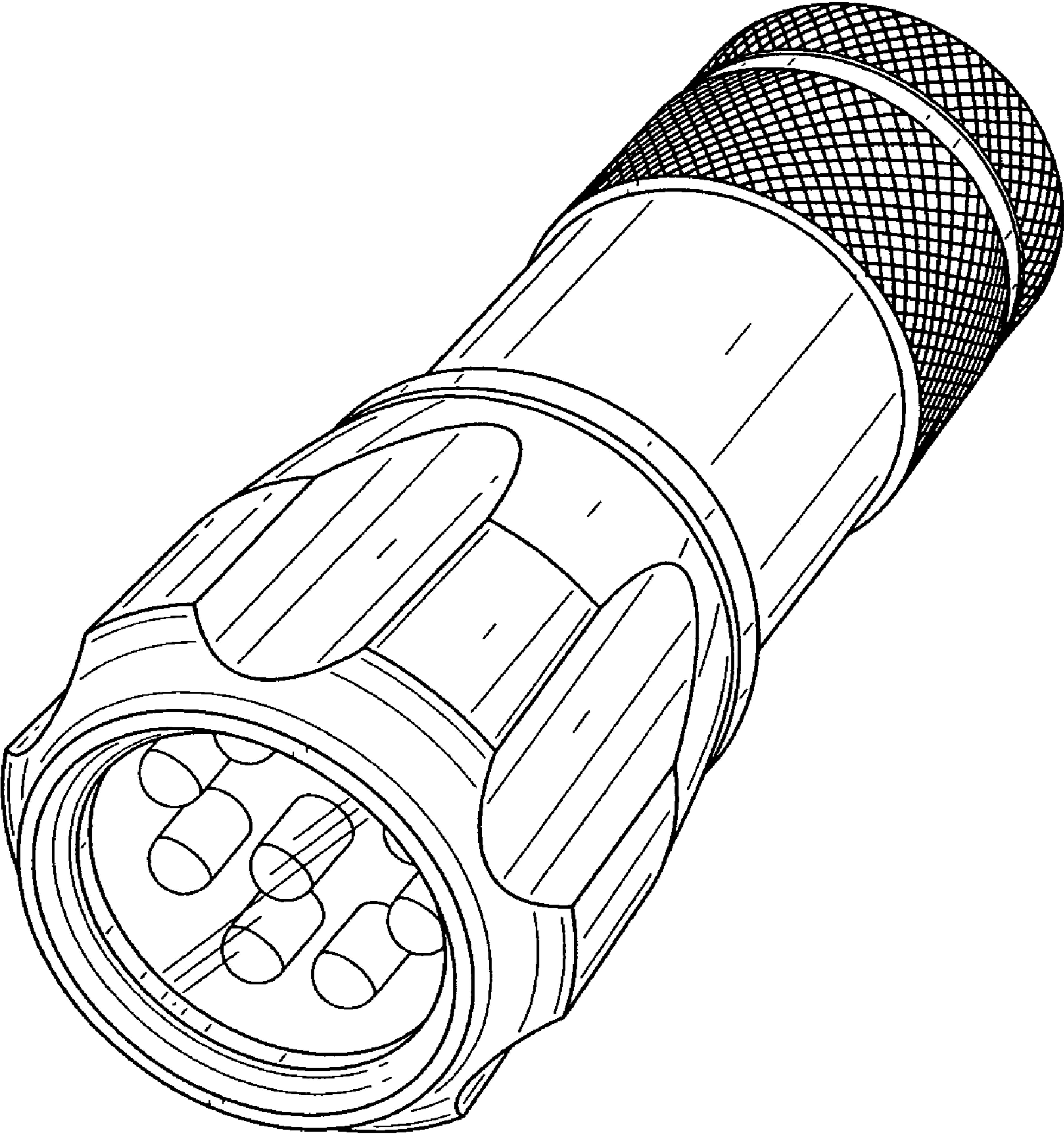


FIG. 1

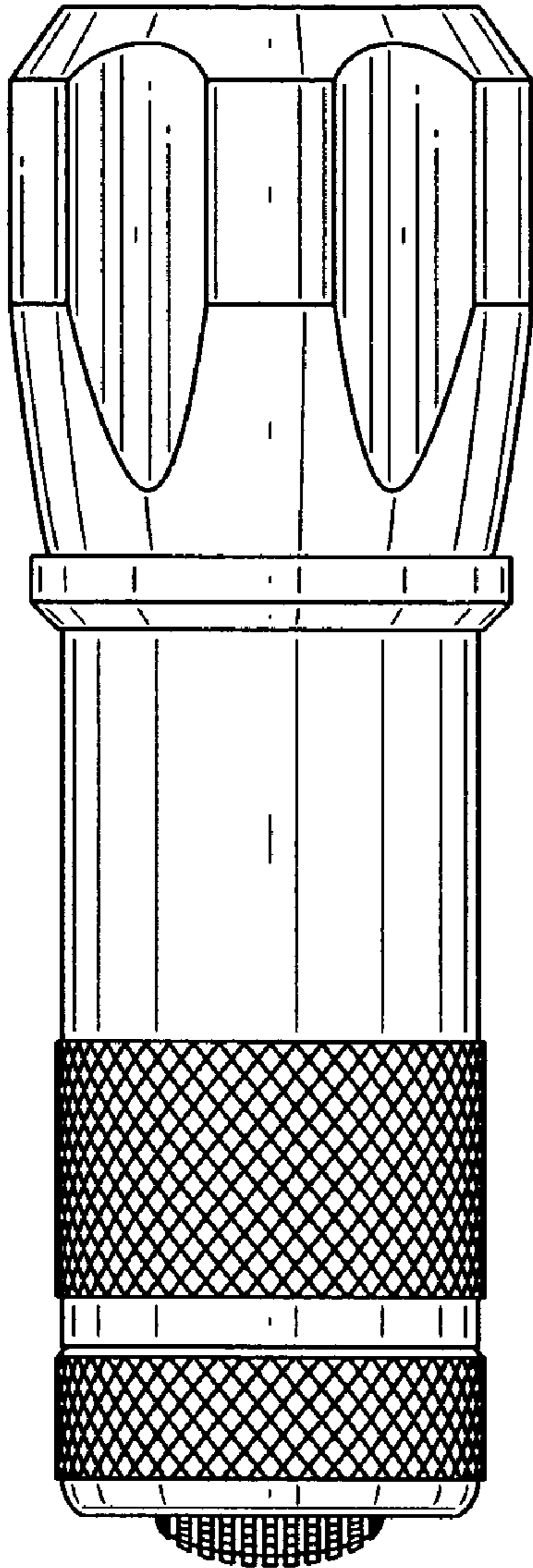


FIG. 2

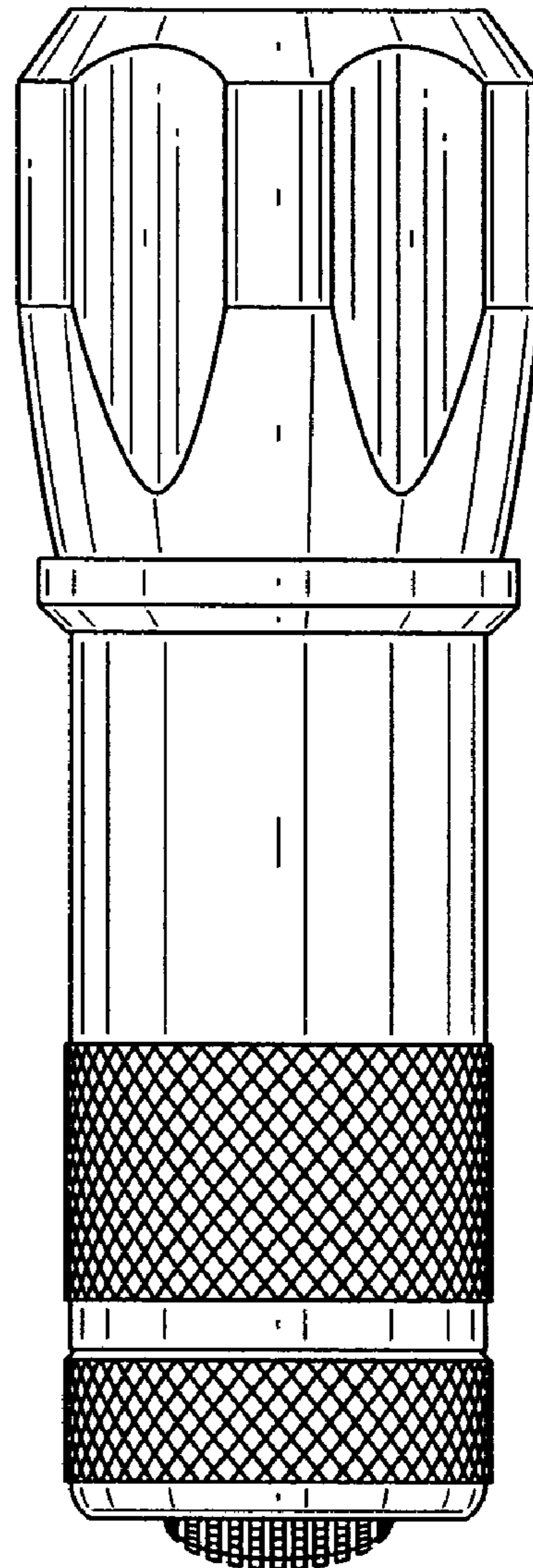


FIG. 3

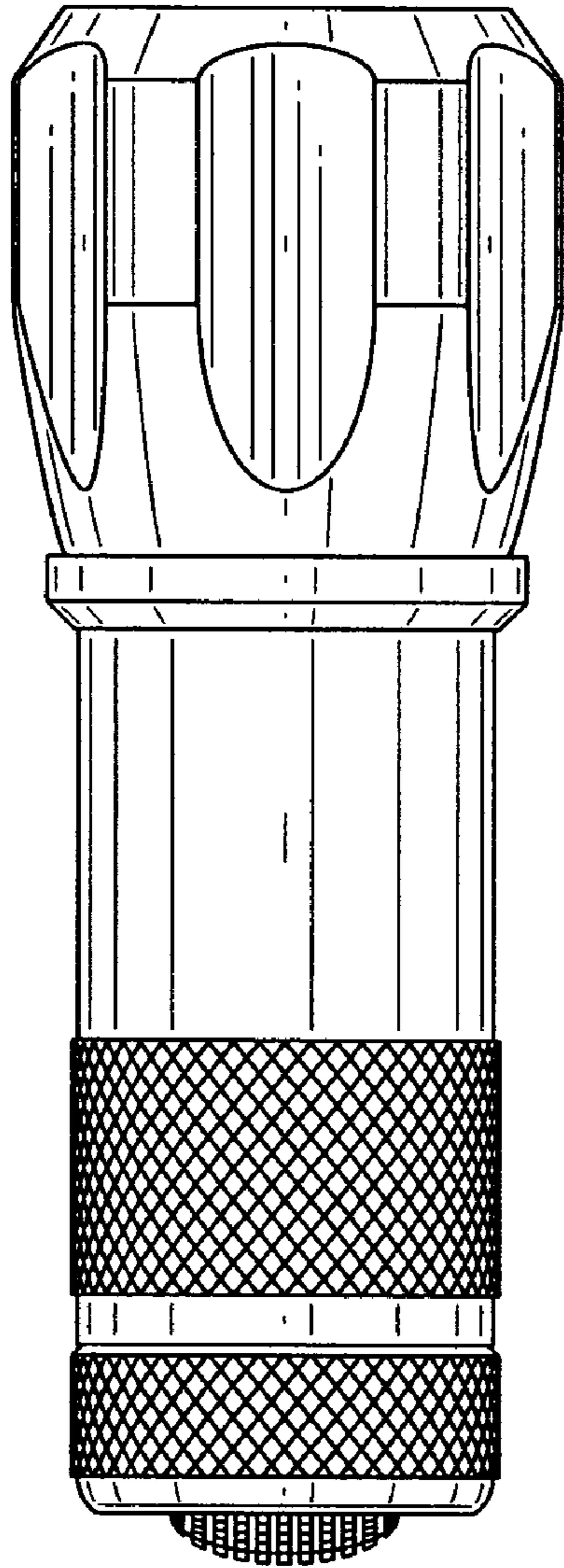


FIG. 4

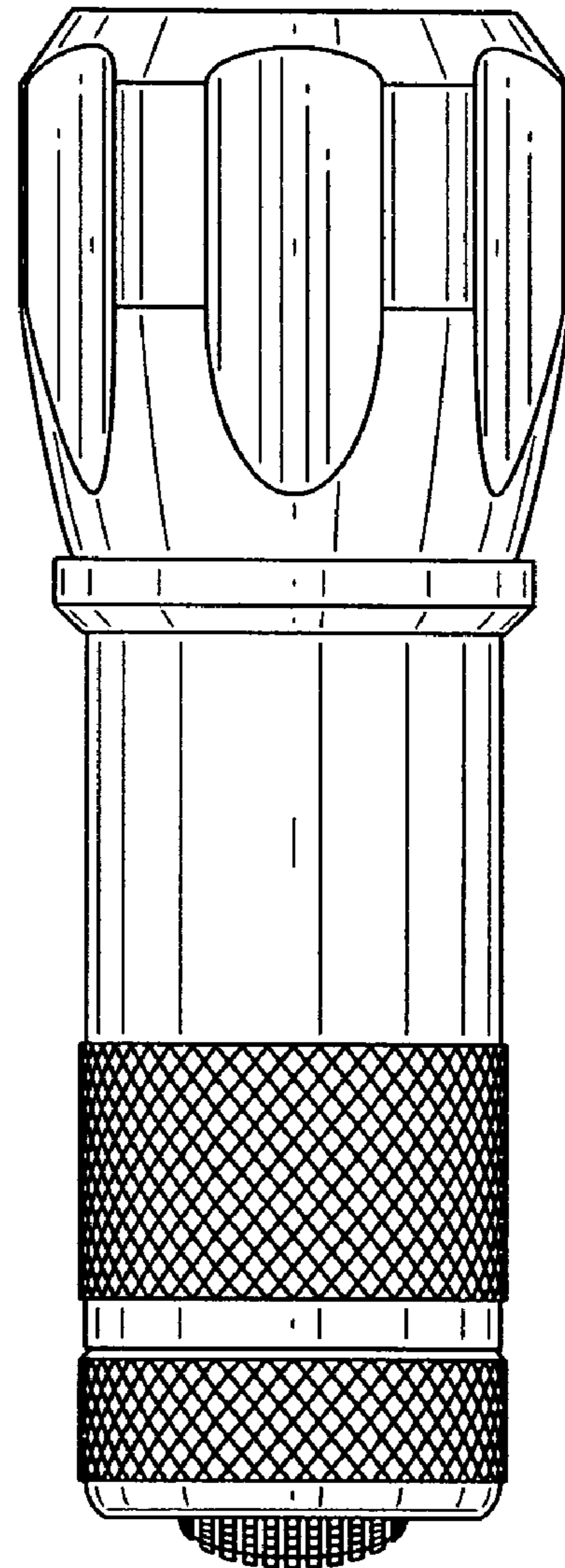


FIG. 5

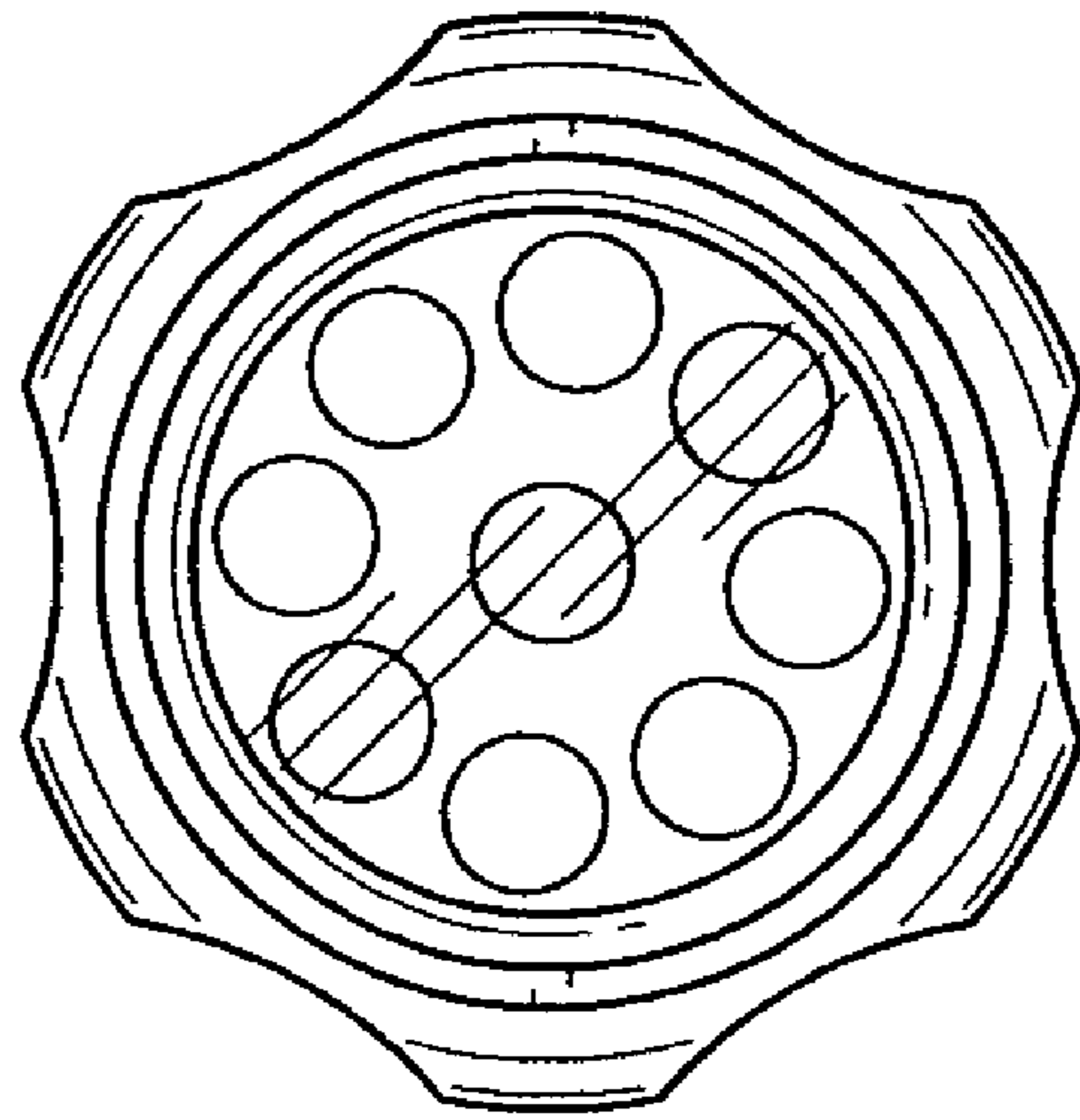


FIG. 6

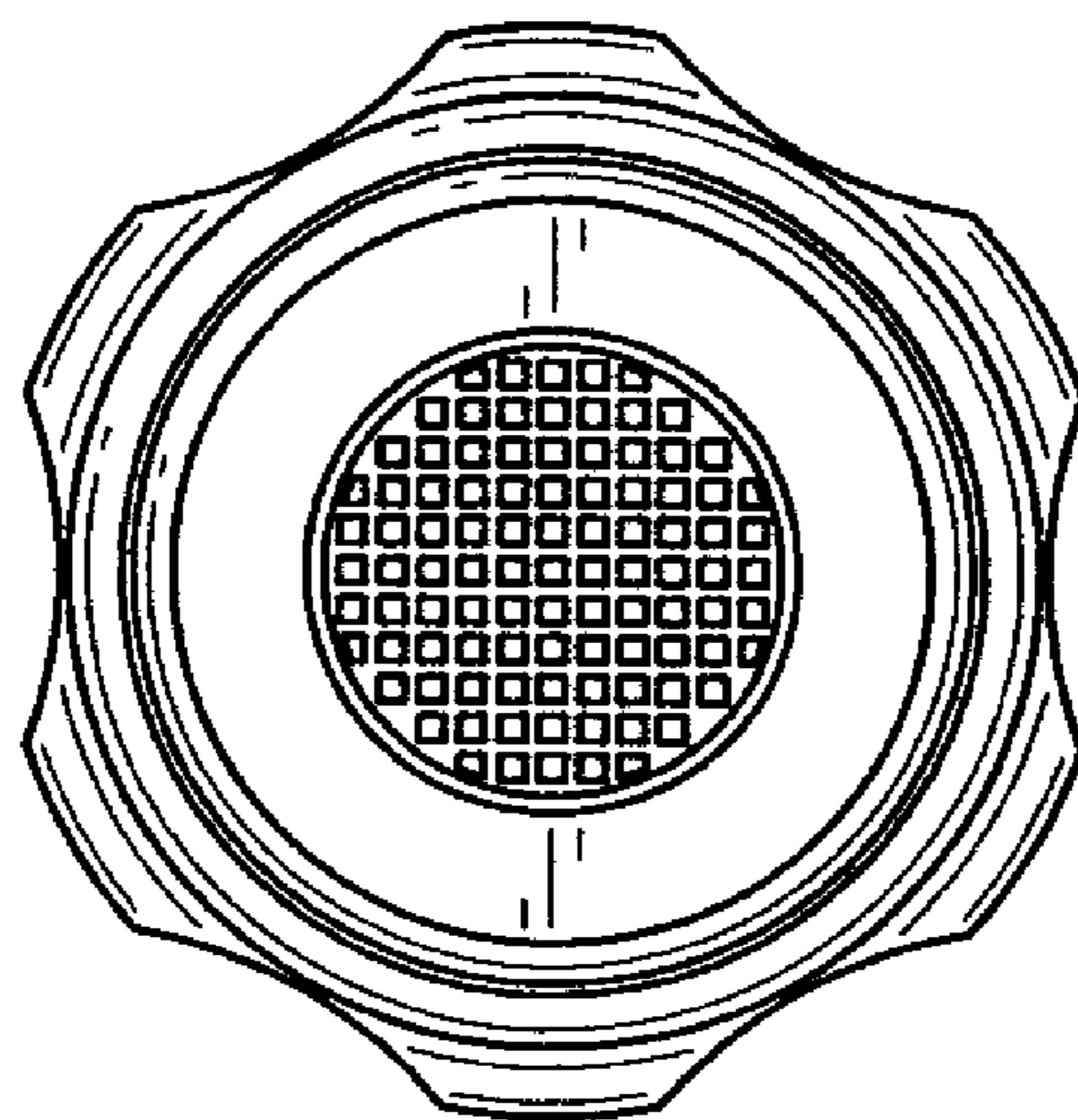


FIG. 7