



US00D629544S

(12) **United States Design Patent**  
**Deguglimo et al.**

(10) **Patent No.:** **US D629,544 S**

(45) **Date of Patent:** **\*\* Dec. 21, 2010**

(54) **FLASHLIGHT**

(75) Inventors: **Joseph Deguglimo**, Boca Raton, FL  
(US); **Glenn Robinson**, Coral Springs,  
FL (US)

(73) Assignee: **IBT Holdings, Inc**, Deerfield Beach, FL  
(US)

(\*\*) Term: **14 Years**

(21) Appl. No.: **29/349,706**

(22) Filed: **Apr. 26, 2010**

(51) **LOC (9) Cl.** ..... **26-02**

(52) **U.S. Cl.** ..... **D26/49**

(58) **Field of Classification Search** ..... D26/37,  
D26/38, 46, 49; 362/157, 158, 184, 194-196,  
362/202-208

See application file for complete search history.

(56) **References Cited**

**U.S. PATENT DOCUMENTS**

D149,230 S \* 4/1948 Schlotterbeck ..... D26/46  
D307,488 S \* 4/1990 Sharrah ..... D26/49  
D412,590 S \* 8/1999 Parsons ..... D26/49  
D418,933 S \* 1/2000 Yang ..... D26/49  
D427,700 S \* 7/2000 Parsons ..... D26/49

D486,935 S \* 2/2004 Shiu ..... D26/49  
D512,525 S \* 12/2005 Yang ..... D26/49  
D527,481 S \* 8/2006 Opolka ..... D26/49  
D572,394 S \* 7/2008 Dalton ..... D26/37  
D572,395 S \* 7/2008 Guelzow et al. .... D26/49  
D603,988 S \* 11/2009 Sharrah ..... D26/49

\* cited by examiner

*Primary Examiner*—Charles A Rademaker

*Assistant Examiner*—Carissa C Fitts

(74) *Attorney, Agent, or Firm*—Dan M. De La Rosa

(57) **CLAIM**

The ornamental design for a flashlight, as shown and described.

**DESCRIPTION**

FIG. 1 is a front perspective view of the flashlight of the present invention showing my new design;

FIG. 2 is a front side elevational view thereof;

FIG. 3 is a back side elevational view thereof;

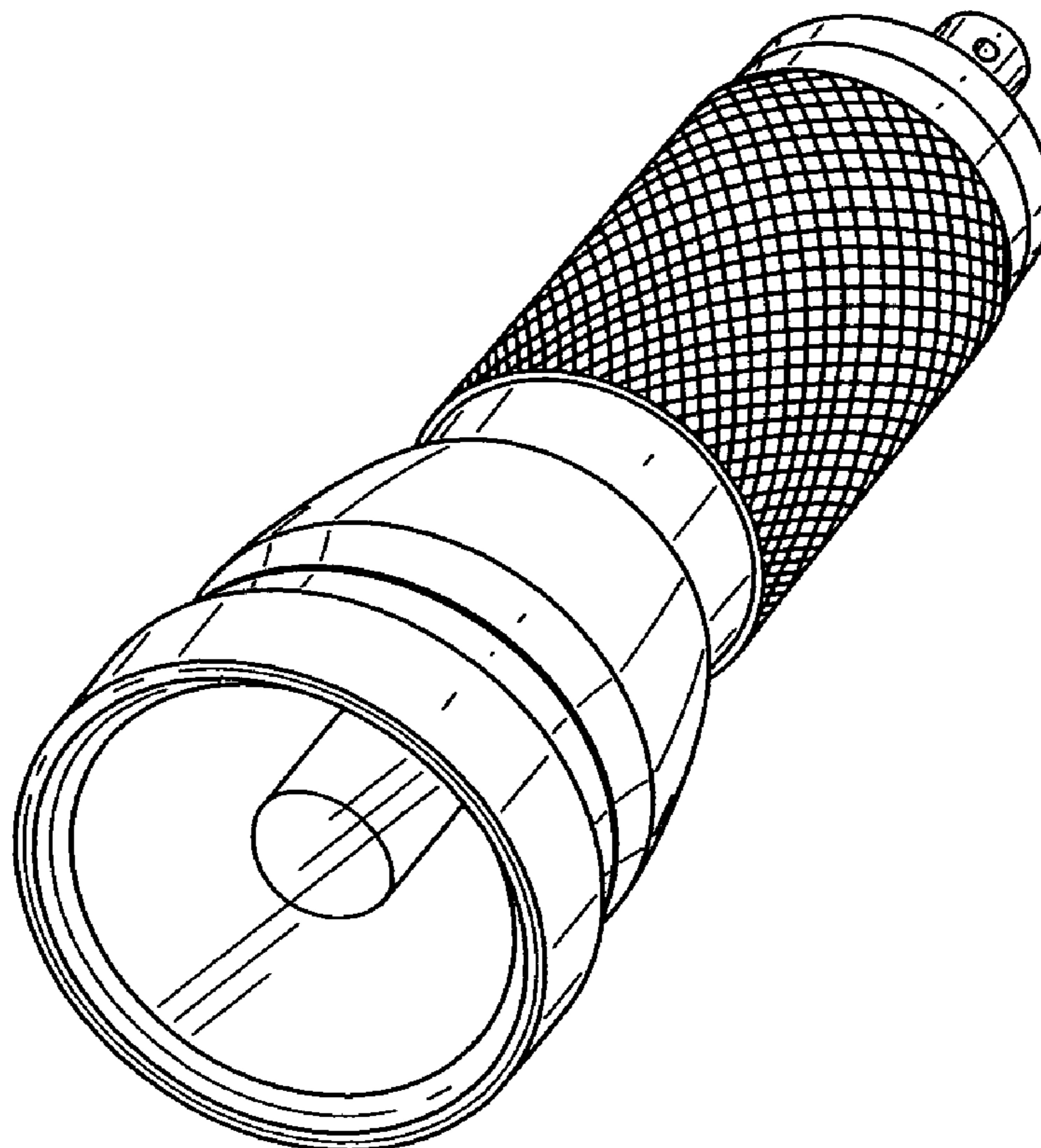
FIG. 4 is a side elevational view thereof;

FIG. 5 is another side elevational view thereof;

FIG. 6 is a top plan view thereof; and,

FIG. 7 is a bottom plan view thereof.

**1 Claim, 4 Drawing Sheets**



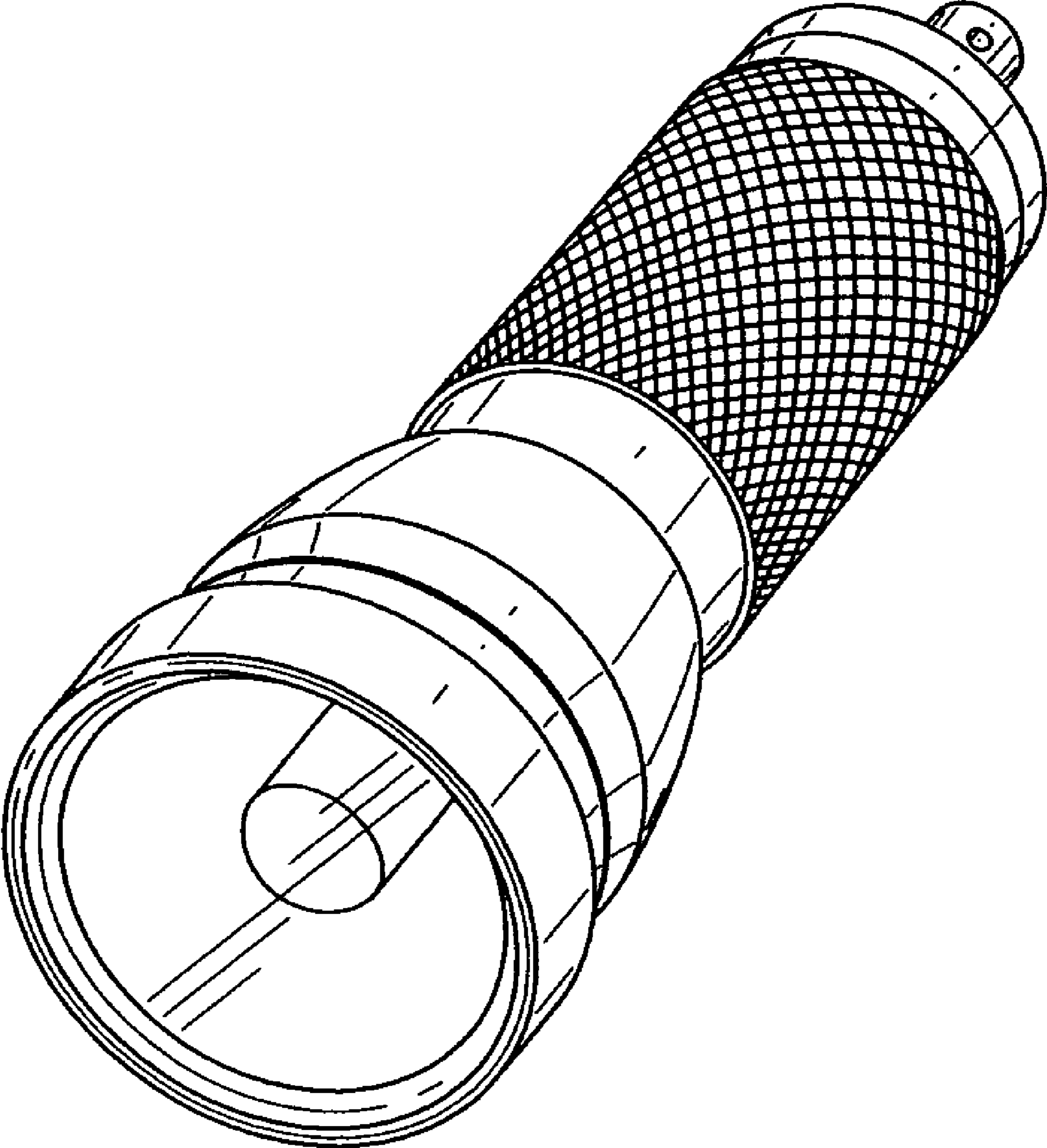


FIG. 1

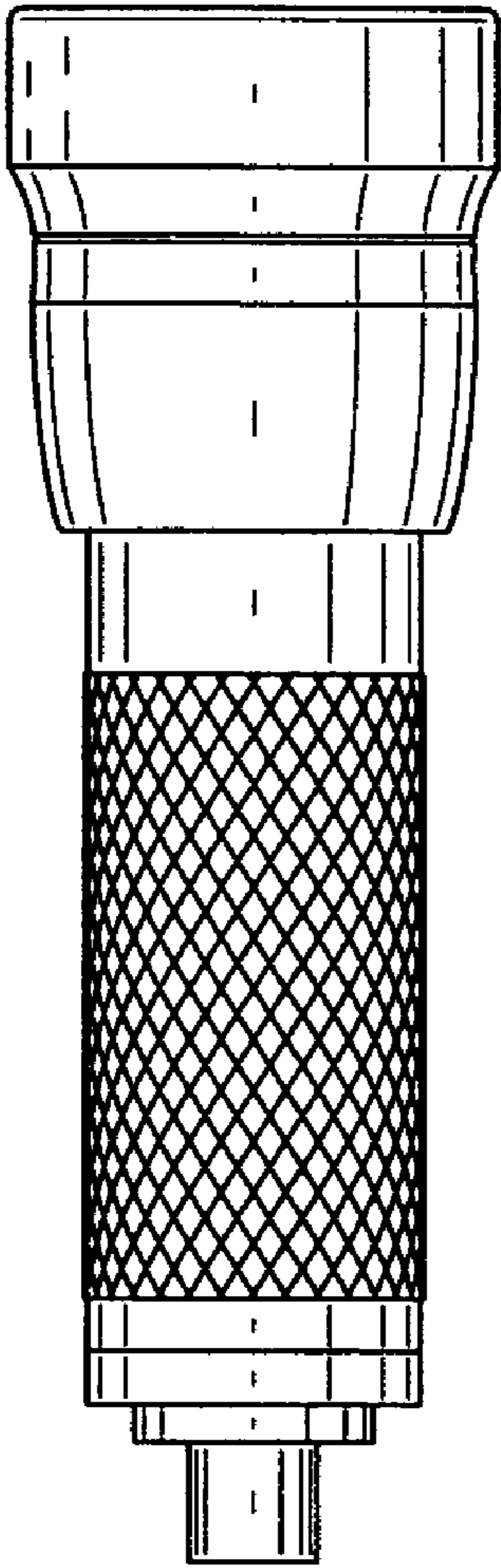


FIG. 2

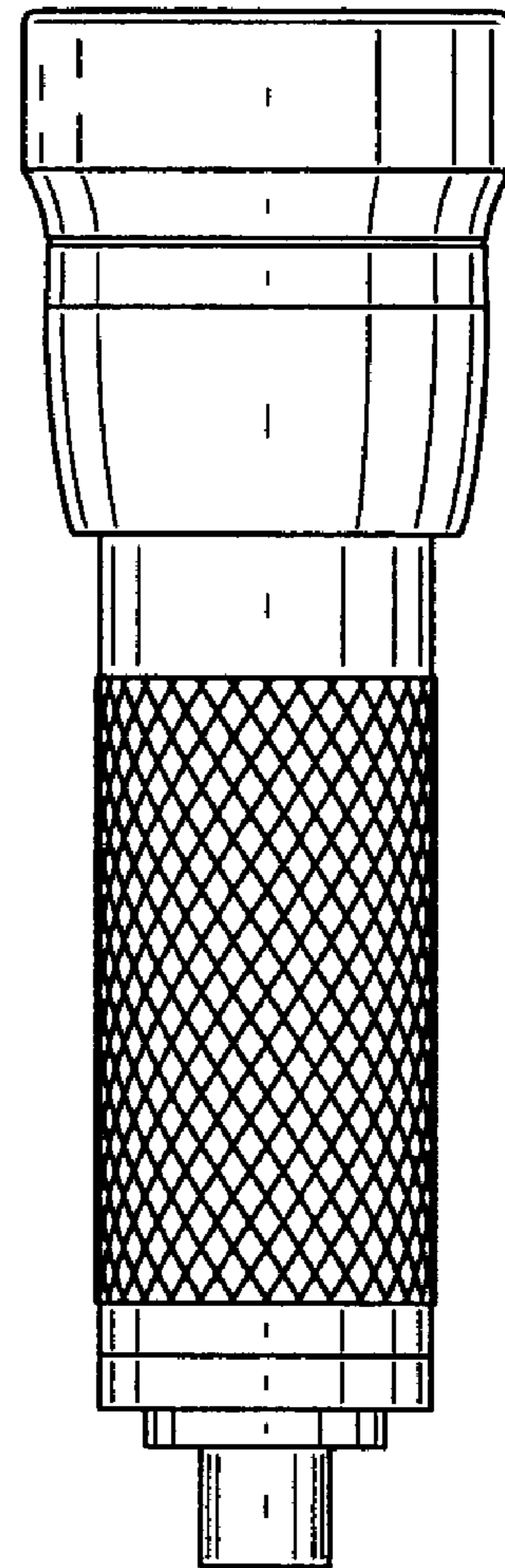


FIG. 3

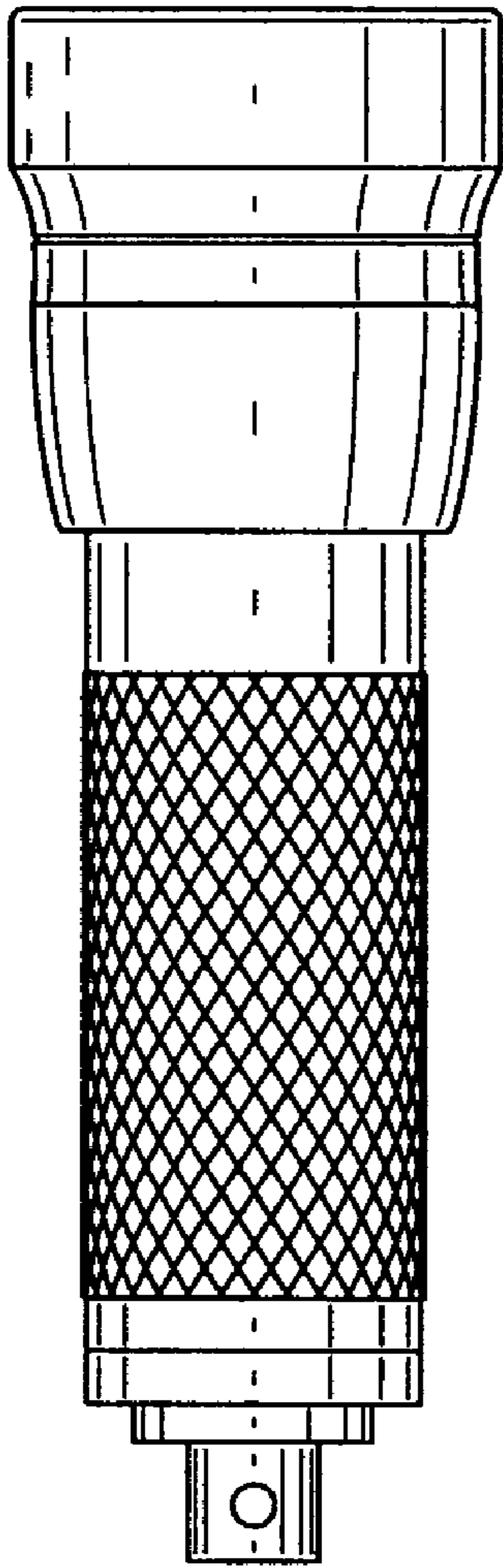


FIG. 4

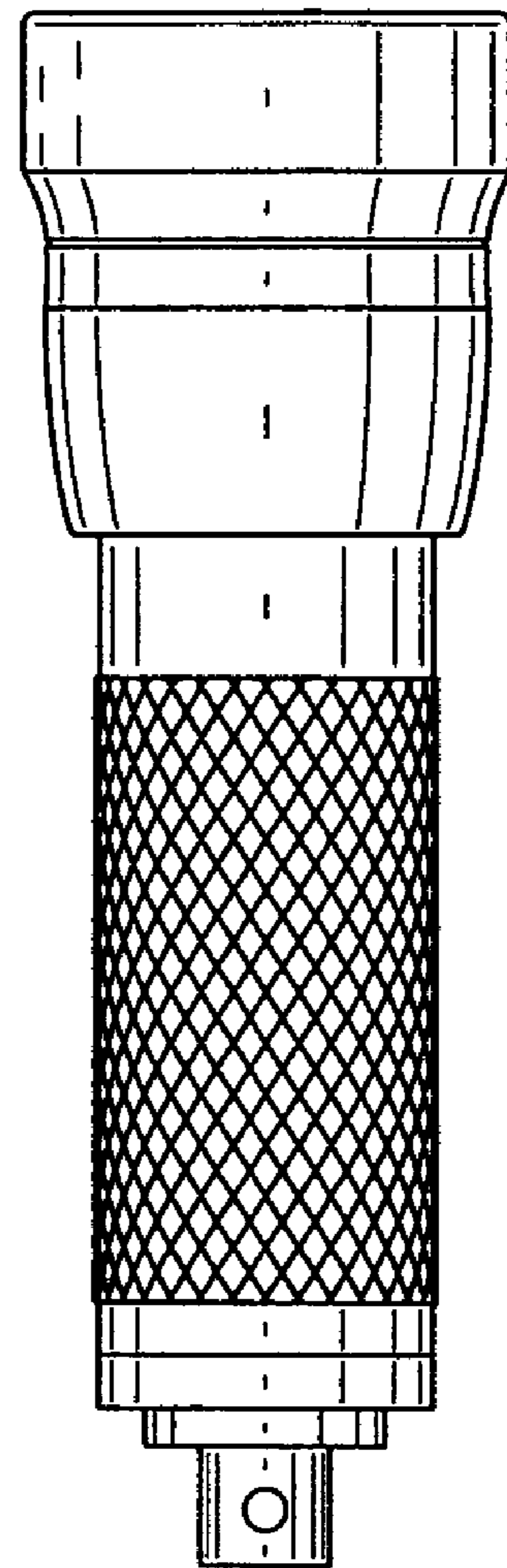


FIG. 5

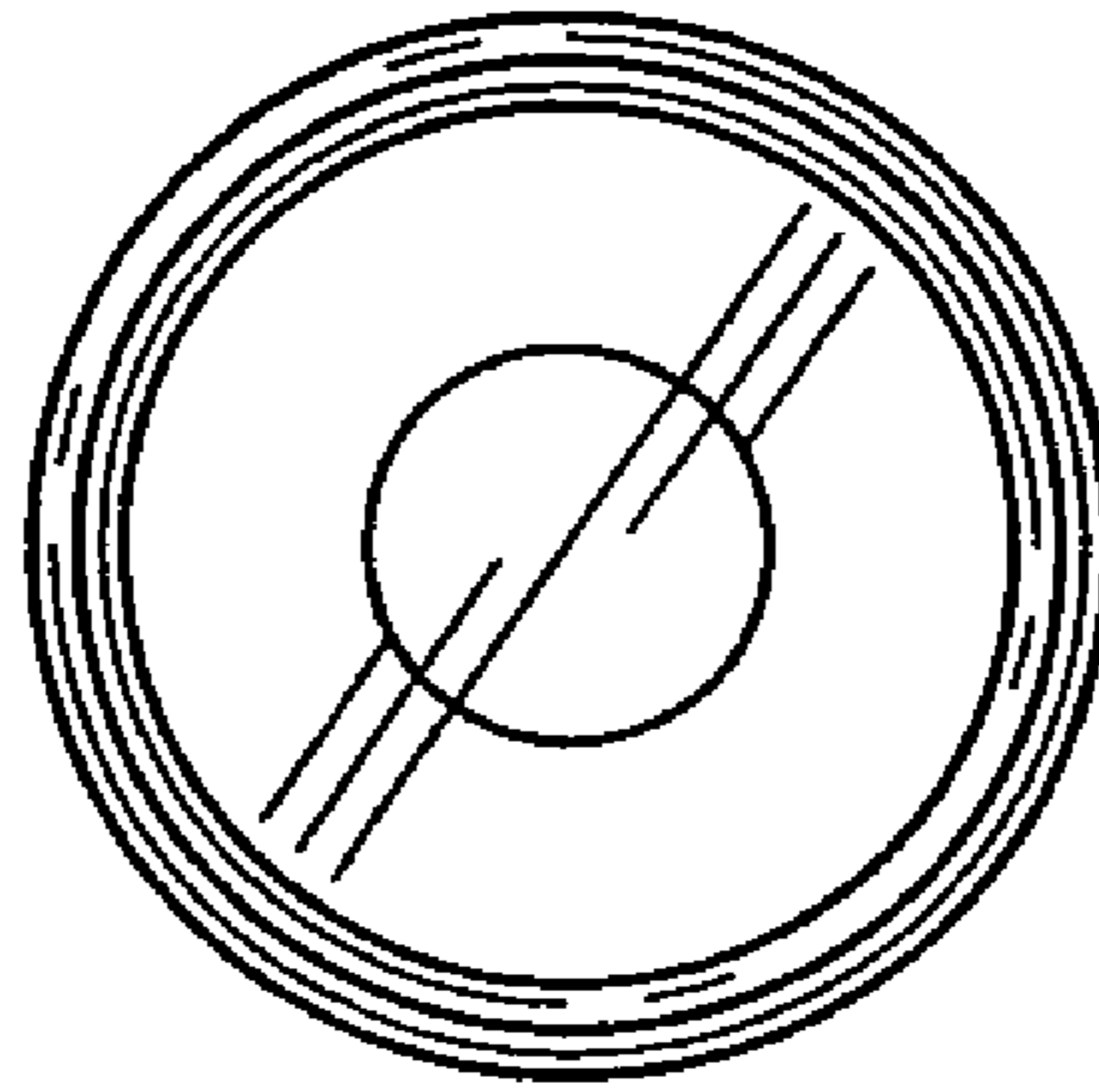


FIG. 6

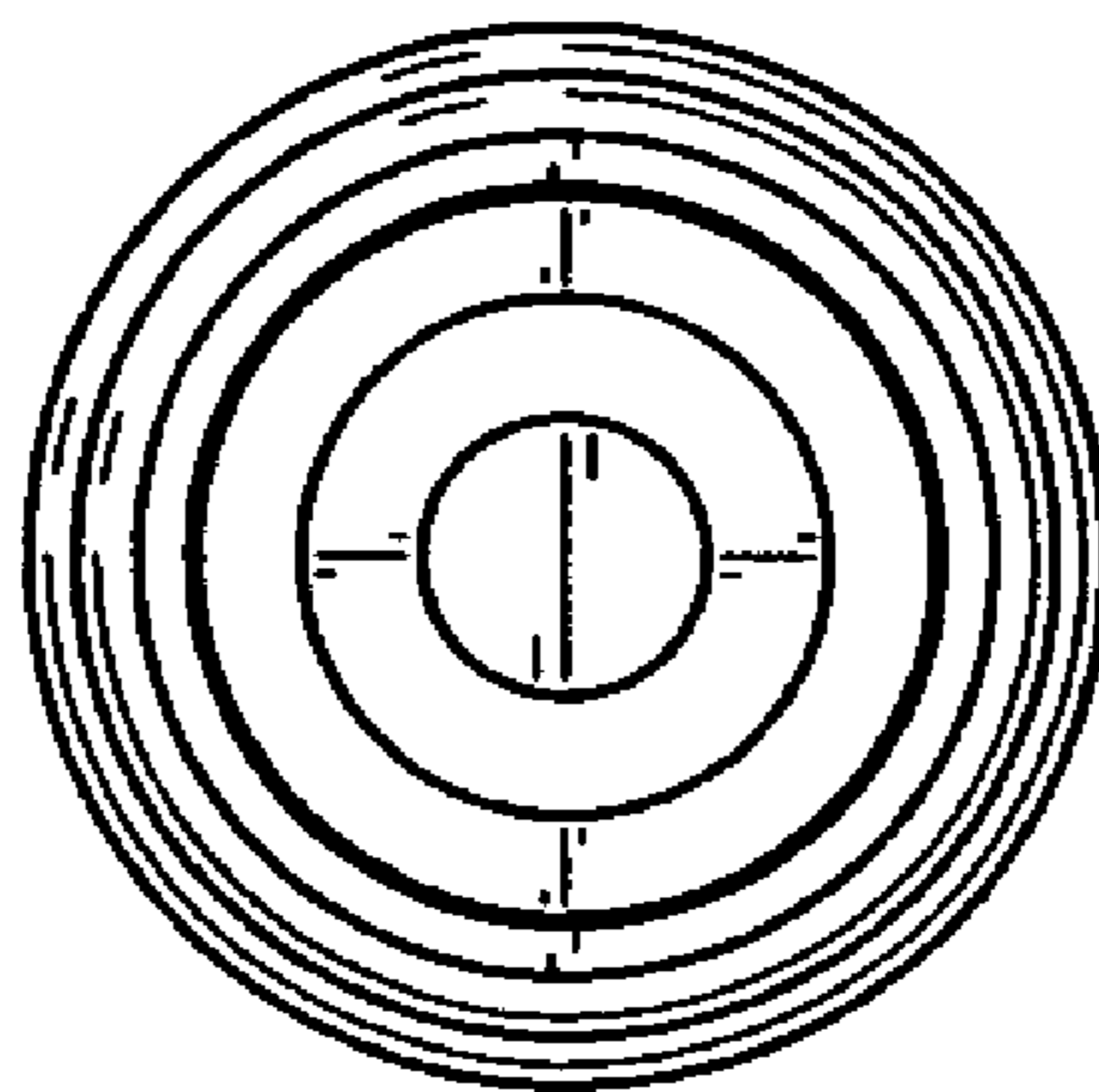


FIG. 7