



US00D629542S

(12) **United States Design Patent**  
**Robinson**

(10) **Patent No.:** **US D629,542 S**

(45) **Date of Patent:** **\*\* Dec. 21, 2010**

(54) **FLASHLIGHT**

(75) Inventor: **Glenn Robinson**, Coral Springs, FL  
(US)

(73) Assignee: **IBT Holdings, LLC**, Deerfield Beach,  
FL (US)

(\*\*) Term: **14 Years**

(21) Appl. No.: **29/349,480**

(22) Filed: **Apr. 8, 2010**

(51) **LOC (9) Cl.** ..... **26-02**

(52) **U.S. Cl.** ..... **D26/49**

(58) **Field of Classification Search** ..... D26/37,  
D26/38, 46, 49; 362/157, 158, 184, 194-196,  
362/202-208

See application file for complete search history.

(56) **References Cited**

**U.S. PATENT DOCUMENTS**

D521,166 S *	5/2006	Yamamoto et al.	.....	D26/37
D527,126 S *	8/2006	Opolka	.....	D26/37
D565,770 S *	4/2008	Shiu	.....	D26/49
D567,976 S *	4/2008	Shiu	.....	D26/37
D568,515 S *	5/2008	Liu	.....	D26/49
D570,511 S *	6/2008	Shiu	.....	D26/49

D572,395 S *	7/2008	Guelzow et al.	.....	D26/49
D577,844 S *	9/2008	Shiu	.....	D26/49
D579,595 S *	10/2008	Shiu	.....	D26/49
D583,087 S *	12/2008	Opolka	.....	D26/49
D599,928 S *	9/2009	Shiu	.....	D26/49
D601,287 S *	9/2009	Caniparoli	.....	D26/49

\* cited by examiner

*Primary Examiner*—Charles A Rademaker

*Assistant Examiner*—Carissa C Fitts

(74) *Attorney, Agent, or Firm*—Dan M. DeLaRosa

(57) **CLAIM**

The ornamental design for a flashlight, as shown and described.

**DESCRIPTION**

FIG. 1 is a front perspective view of the flashlight of the present invention showing my new design;

FIG. 2 is a front side elevational view thereof;

FIG. 3 is a back side elevational view thereof;

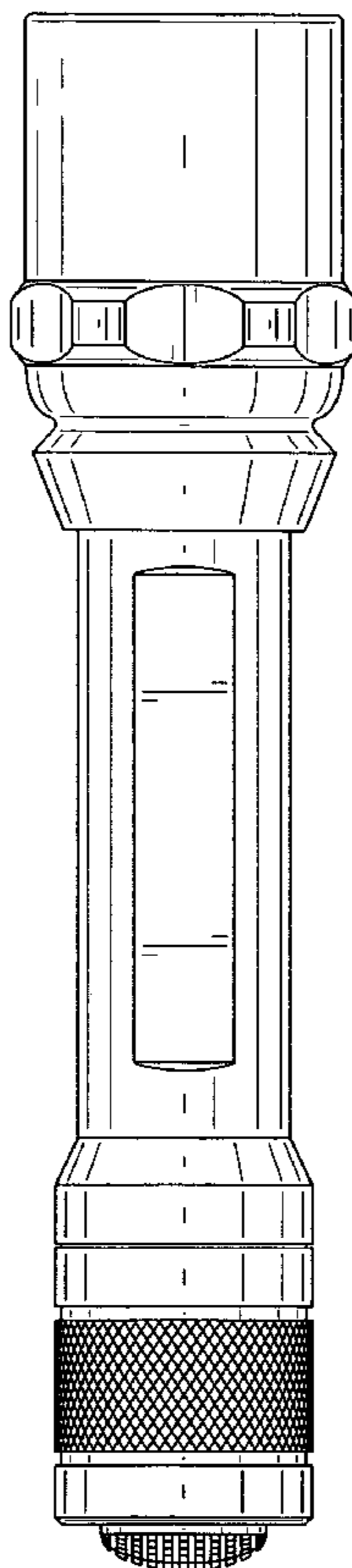
FIG. 4 is a side elevational view thereof;

FIG. 5 is another side elevational view thereof;

FIG. 6 is a top plan view thereof; and,

FIG. 7 is a bottom plan view thereof.

**1 Claim, 6 Drawing Sheets**



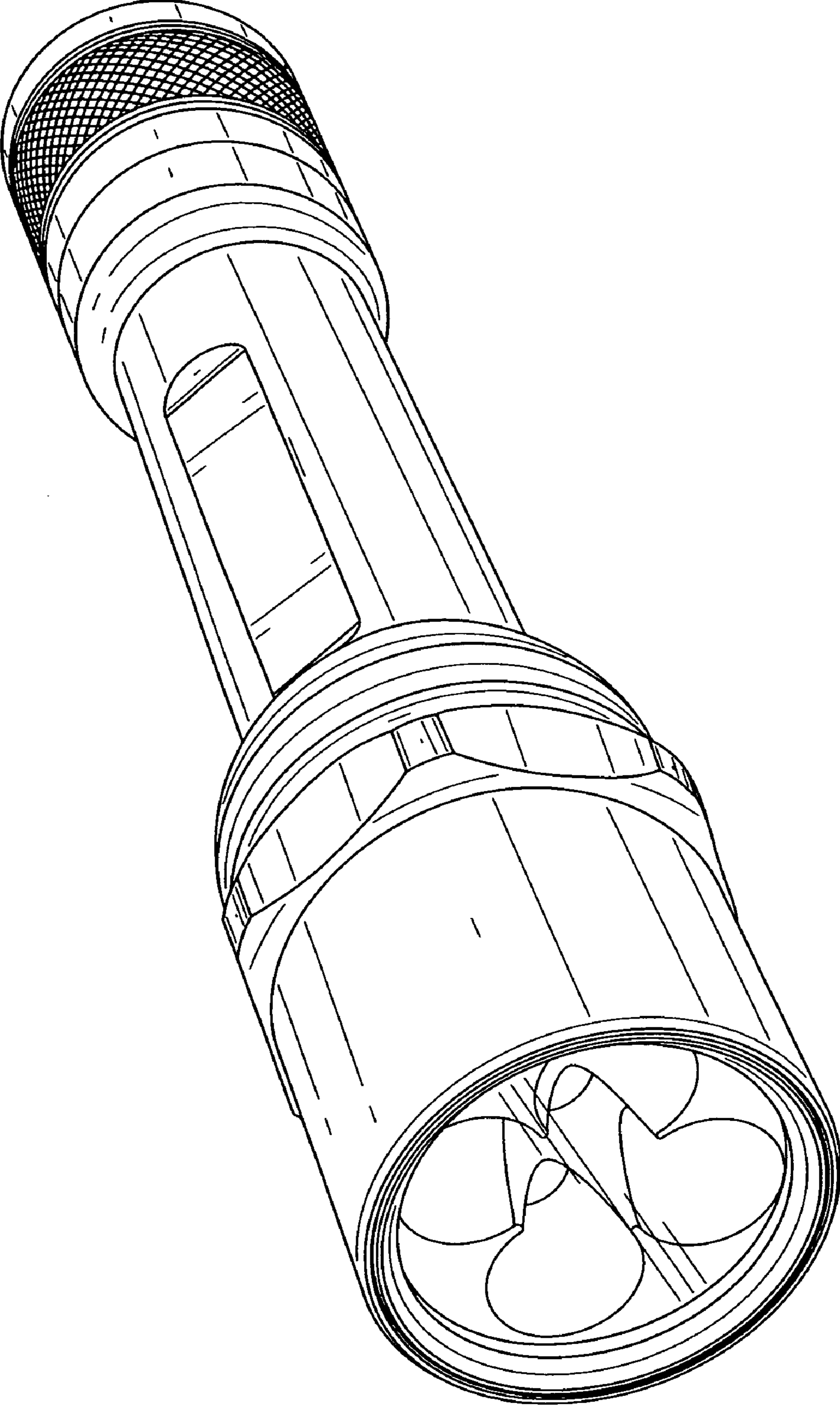


FIG. 1

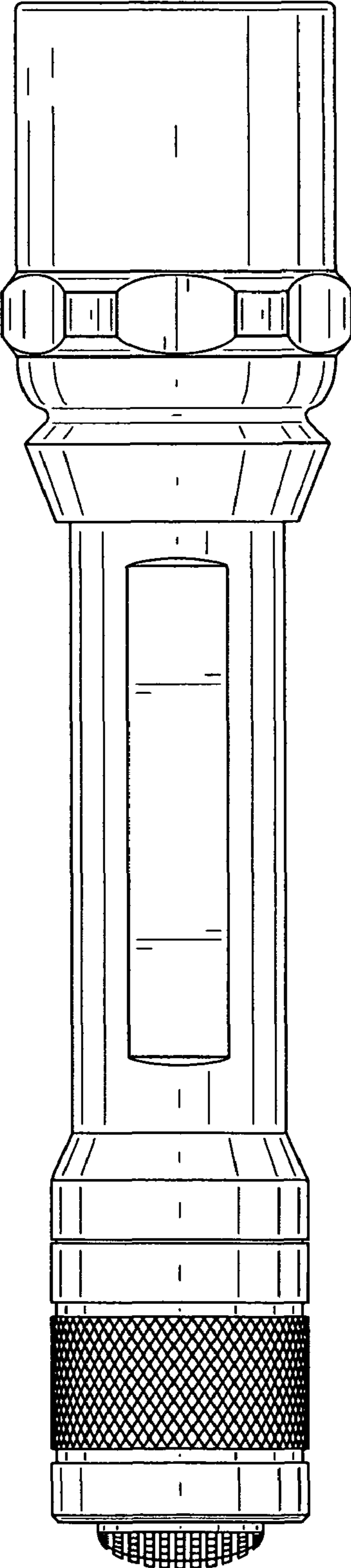


FIG. 2

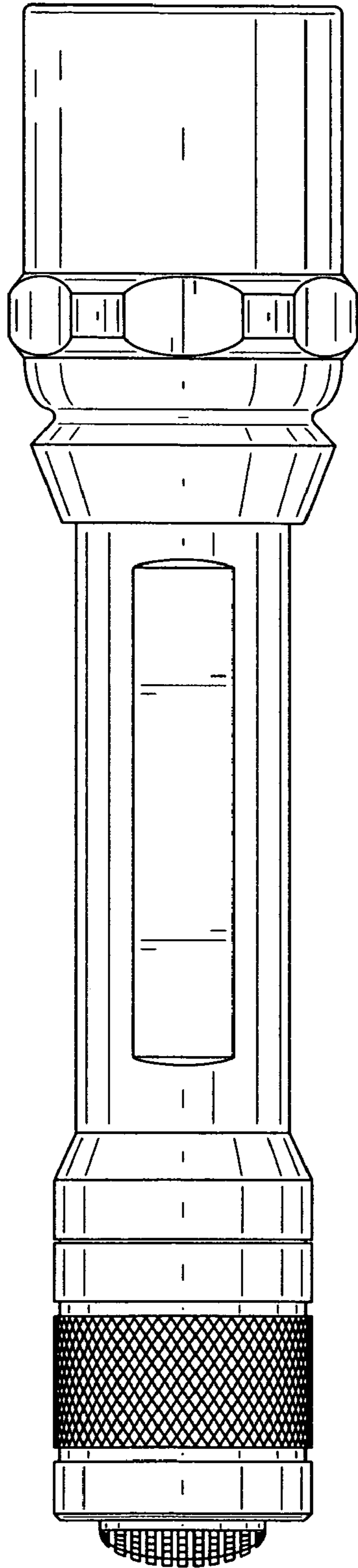


FIG. 3

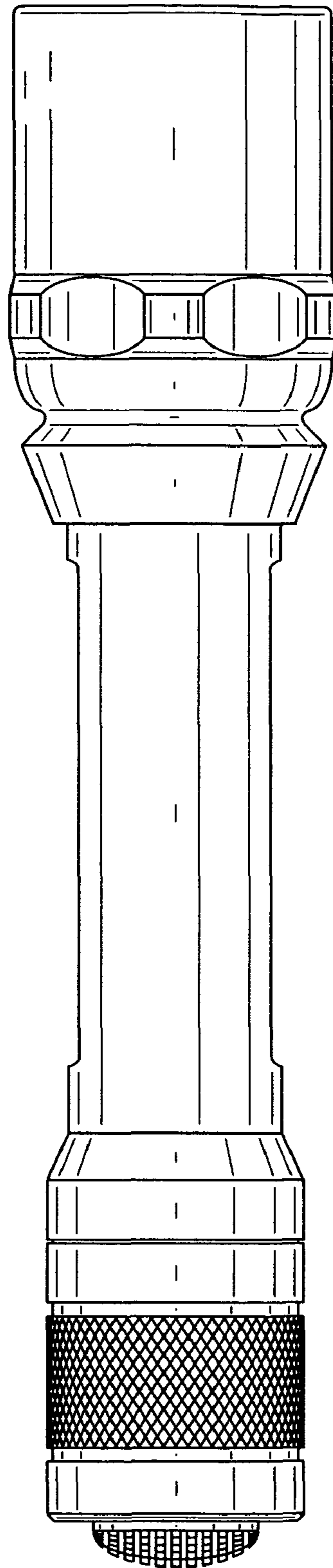


FIG. 4

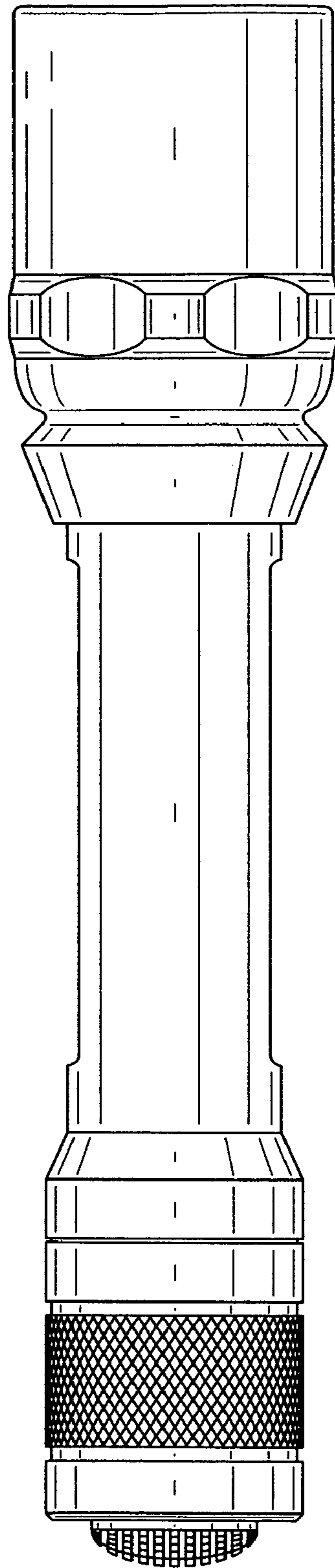


FIG. 5

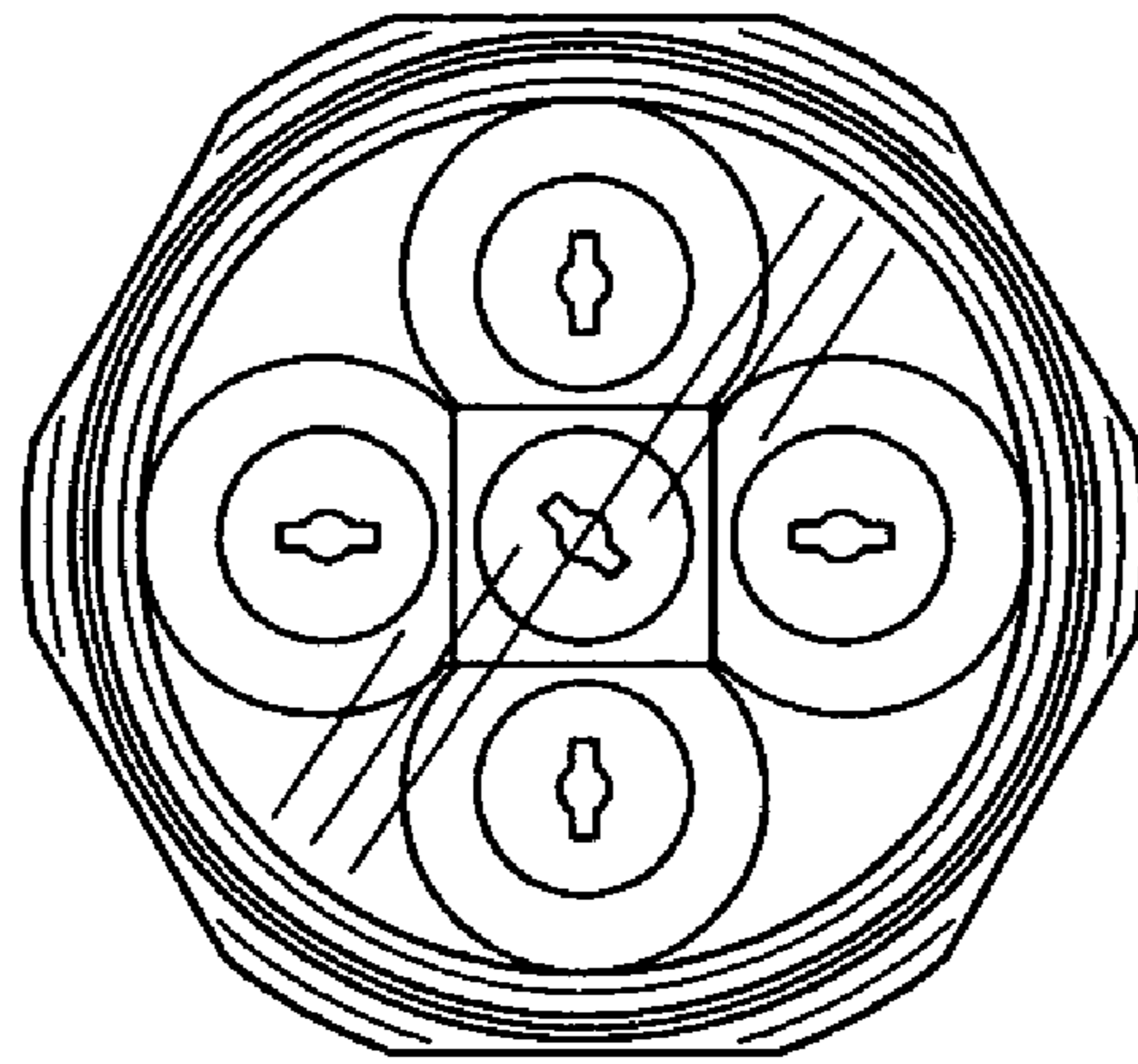


FIG. 6

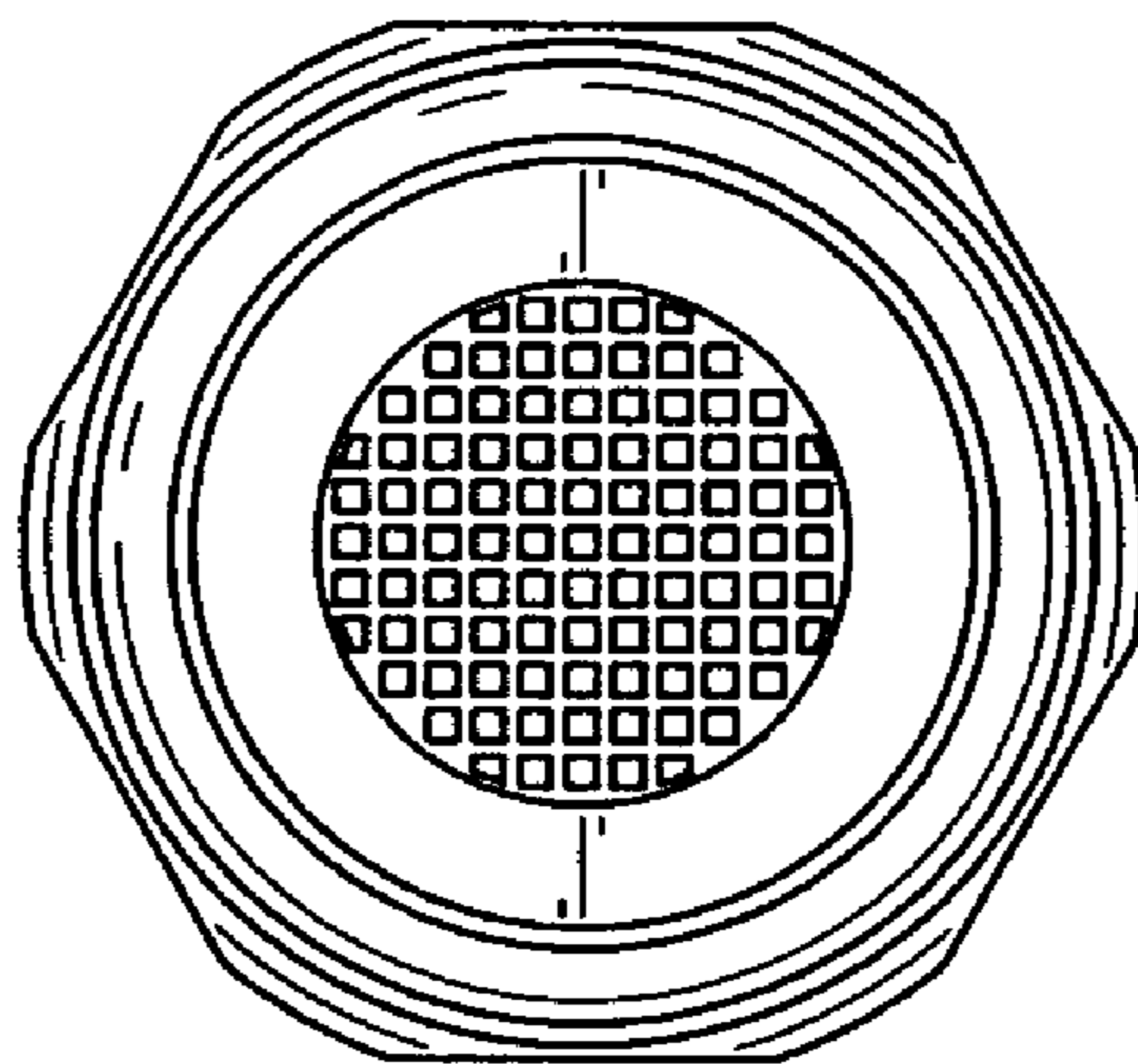


FIG. 7