



US00D629540S

(12) **United States Design Patent**
Iida

(10) **Patent No.:** **US D629,540 S**
(45) **Date of Patent:** **** Dec. 21, 2010**

(54) **REAR COMBINATION LAMP FOR AN
AUTOMOBILE**

D602,616 S 10/2009 Okamura et al.

OTHER PUBLICATIONS

(75) Inventor: **Hideaki Iida**, Toyota (JP)

Website: Netcarshow.com, URL: http://www.netcarshow.com/bmw/2010-x1/1600x1200/wallpaper_4.htm, BMW model BMX X1, Date Unknown.

(73) Assignee: **Toyota Jidosha Kabushiki Kaisha**,
Toyota-shi (JP)

Website: Netcarshow.com, URL: http://www.netcarshow.com/bmw/2010-z4/1600x1200/wallpaper_18.htm, BMW model BMW Z4, Date Unknown.

(**) Term: **14 Years**

* cited by examiner

(21) Appl. No.: **29/356,150**

Primary Examiner—Marcus A Jackson

(22) Filed: **Feb. 19, 2010**

(74) *Attorney, Agent, or Firm*—Finnegan, Henderson, Farabow, Garrett & Dunner, LLP

(51) **LOC (9) Cl.** **26-06**

(52) **U.S. Cl.** **D26/28**

(58) **Field of Classification Search** D26/28–36;
362/459–468, 475–478, 485–487
See application file for complete search history.

(57) **CLAIM**

The ornamental design for a rear combination lamp for an automobile, as shown and described.

(56) **References Cited**

DESCRIPTION

U.S. PATENT DOCUMENTS

D455,508 S *	4/2002	Sinkwitz	D26/28
D465,039 S *	10/2002	Murkett	D26/28
D490,170 S *	5/2004	Metros et al.	D26/28
D491,298 S *	6/2004	Hall et al.	D26/28
D523,159 S	6/2006	Tada		
D531,328 S	10/2006	Okamura et al.		
D539,450 S *	3/2007	Pfeiffer	D26/28
D540,480 S *	4/2007	Pfeiffer	D26/28
D550,380 S *	9/2007	Lin	D26/28
D553,268 S *	10/2007	Pfeiffer	D26/28
D565,211 S *	3/2008	Haller et al.	D26/28

FIG. 1 is a front perspective view of a rear combination lamp for an automobile of my new design;

FIG. 2 is a front view thereof;

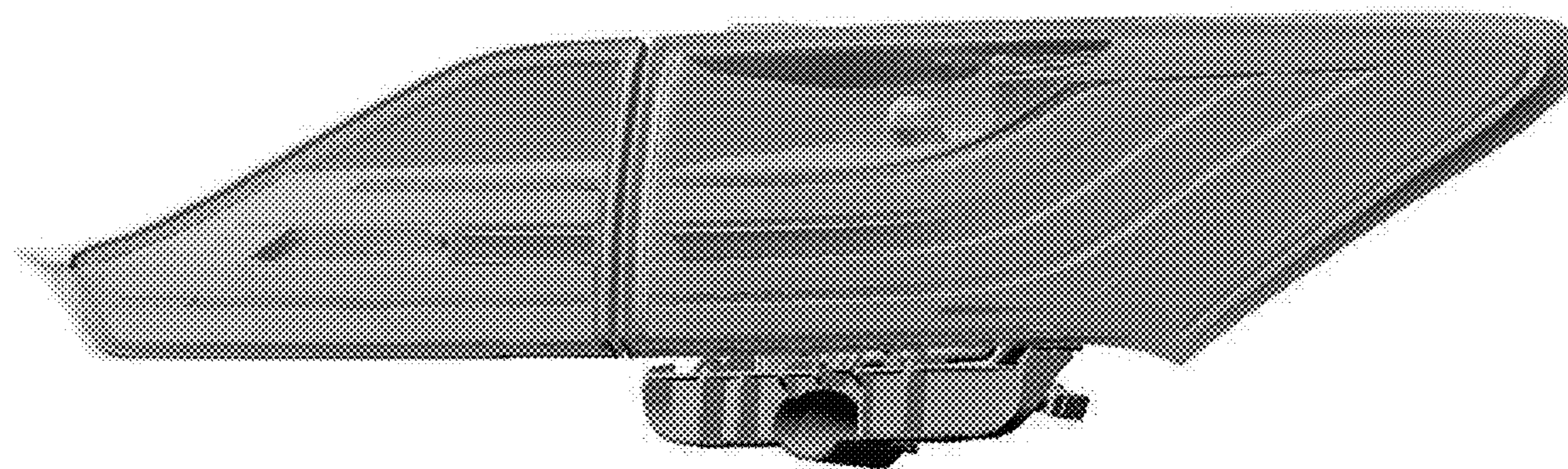
FIG. 3 is a top view thereof;

FIG. 4 is a bottom view thereof; and,

FIG. 5 is a right side view thereof.

My design includes the mirror image of the embodiment depicted.

1 Claim, 3 Drawing Sheets



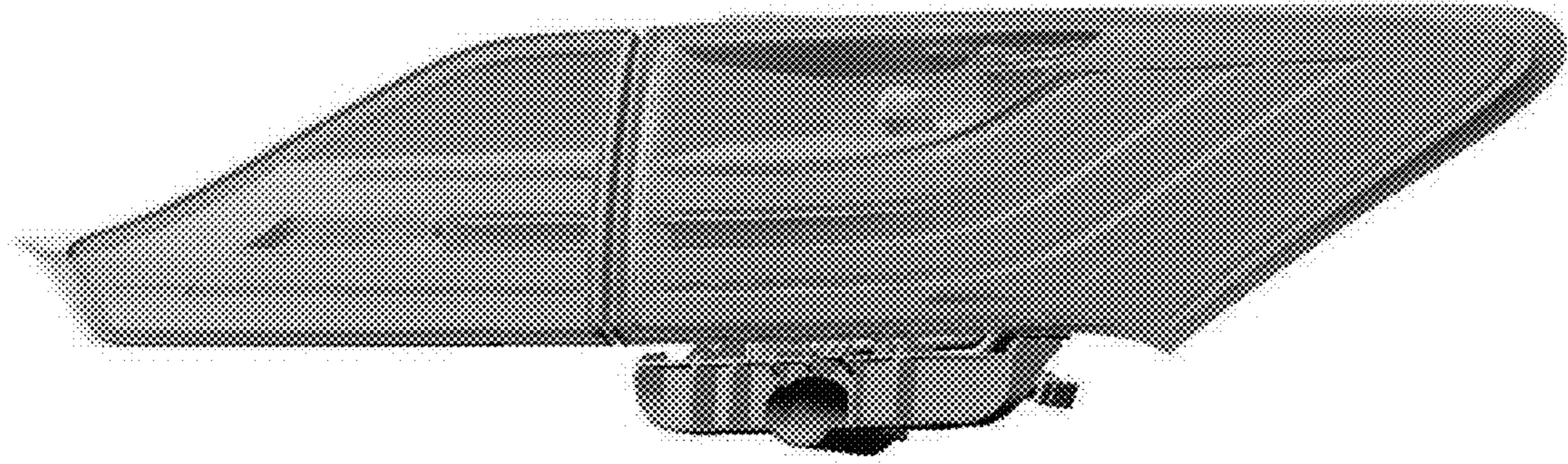


FIG. 1

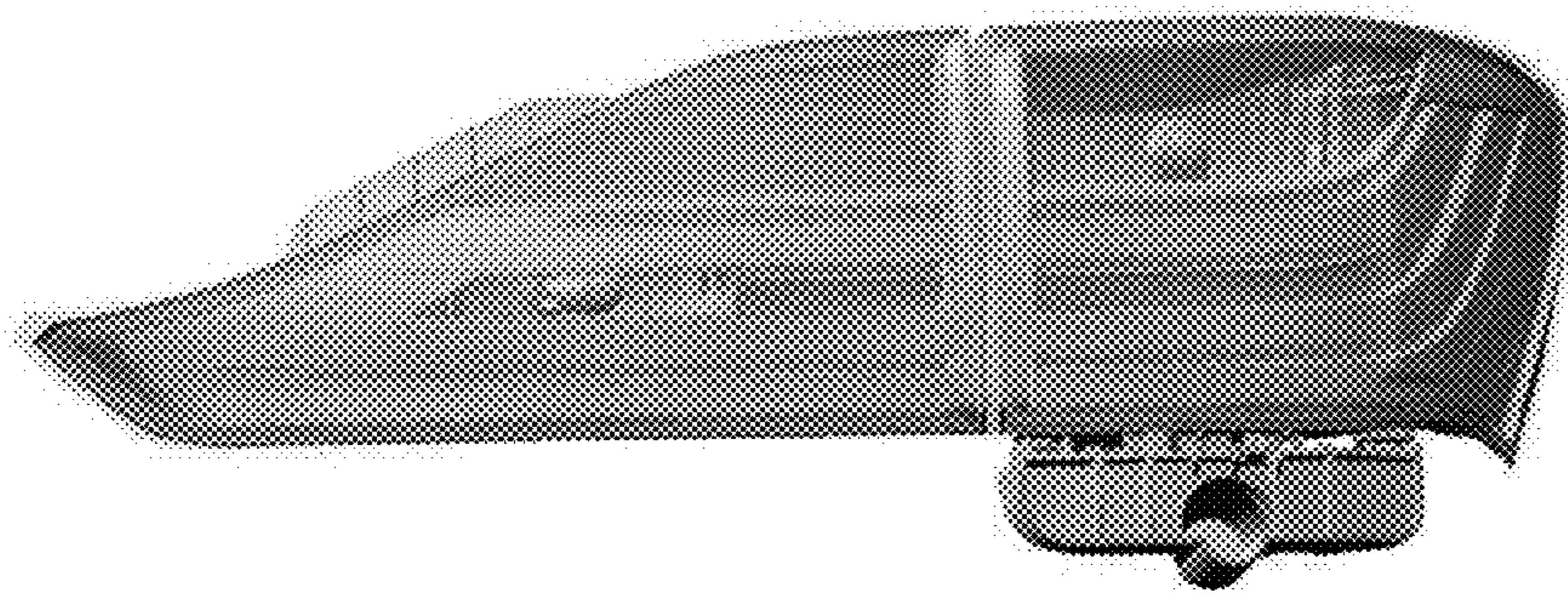


FIG. 2

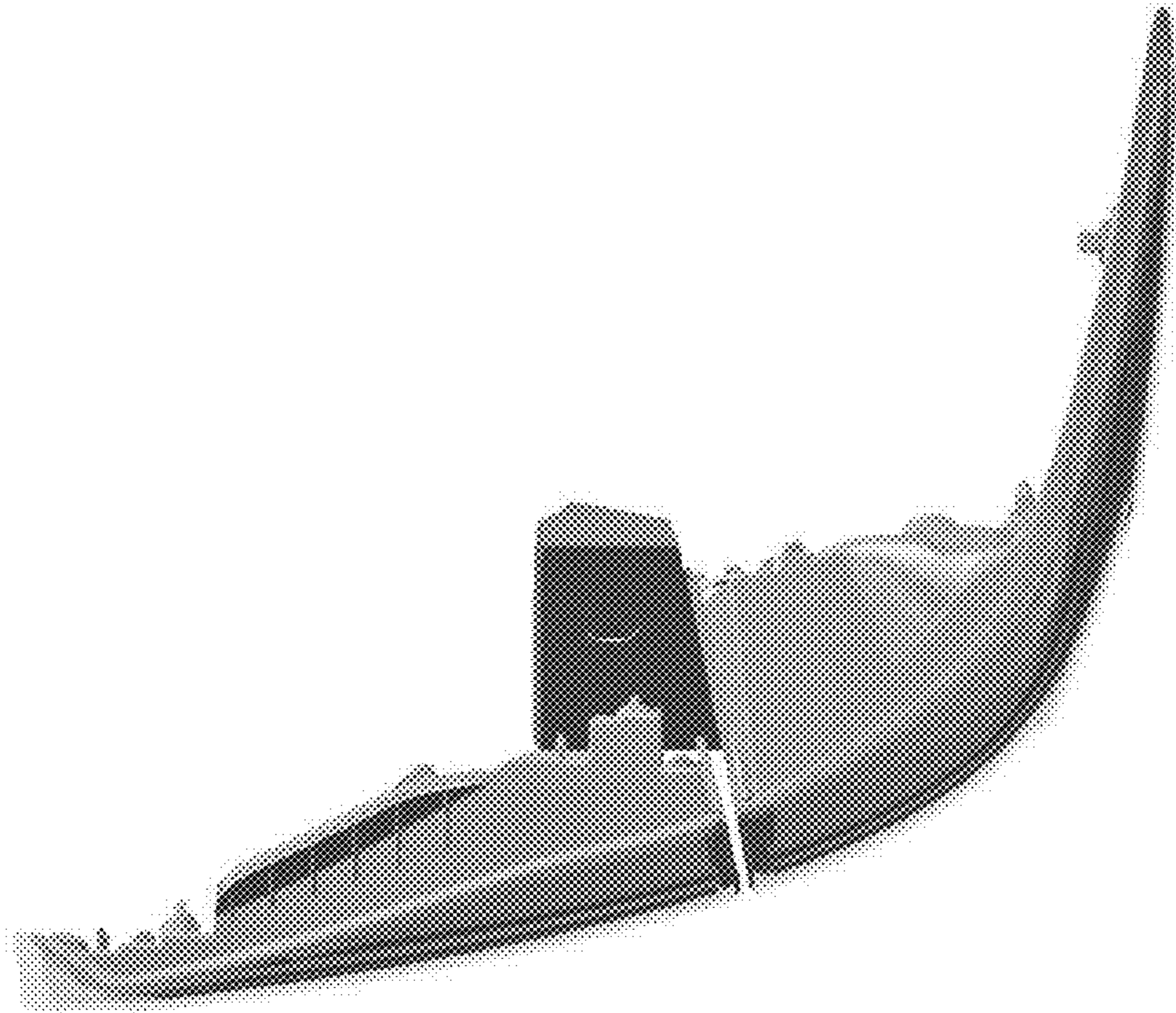


FIG. 3

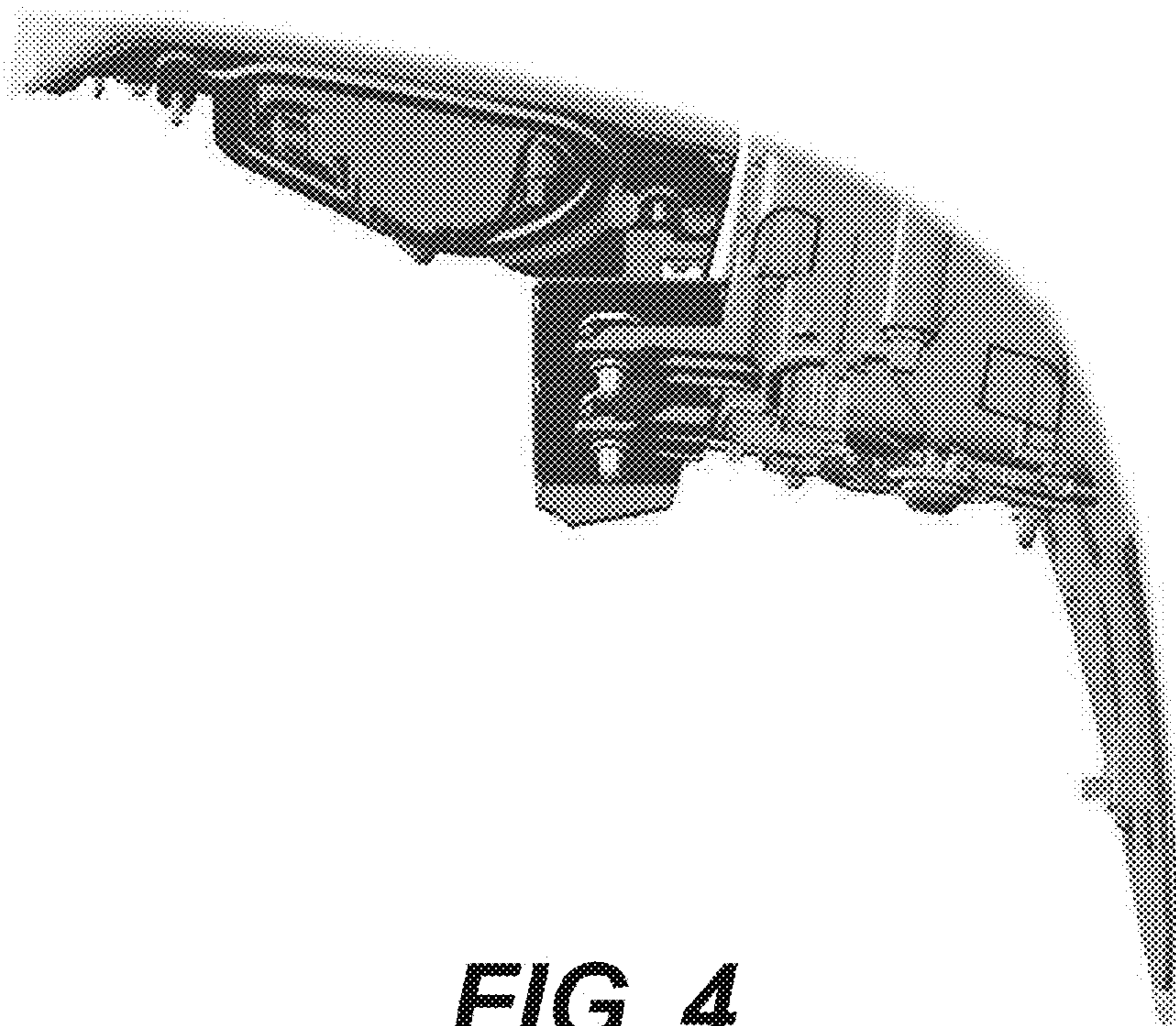


FIG. 4

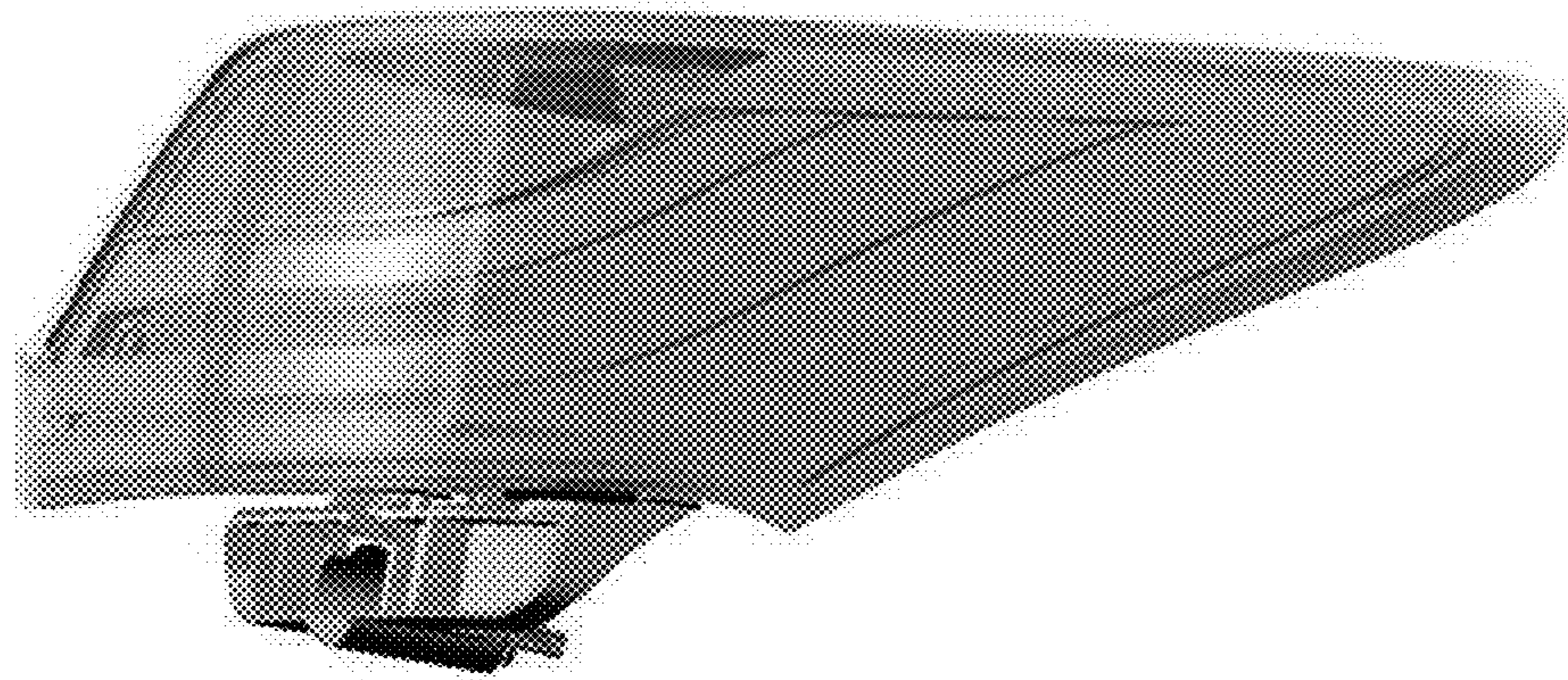


FIG. 5