



US00D629539S

(12) **United States Design Patent**  
**Rettenbacher et al.**

(10) **Patent No.:** **US D629,539 S**

(45) **Date of Patent:** **\*\* Dec. 21, 2010**

(54) **BICYCLE LED LIGHT**

(75) Inventors: **Frank Rettenbacher**, Amsterdam (NL);  
**Marko Macura**, Eindhoven (NL)

(73) Assignee: **Koninklijke Philips Electronics N.V.**,  
Eindhoven (NL)

(\*\*) Term: **14 Years**

(21) Appl. No.: **29/353,865**

(22) Filed: **Jan. 15, 2010**

(30) **Foreign Application Priority Data**

Jul. 16, 2009 (EM) ..... 001584277-0001

(51) **LOC (9) Cl.** ..... **26-06**

(52) **U.S. Cl.** ..... **D26/28**

(58) **Field of Classification Search** ..... D26/28-36;  
362/459-468, 475-478, 485-487

See application file for complete search history.

(56) **References Cited**

**U.S. PATENT DOCUMENTS**

D540,966 S \* 4/2007 Ueda et al. .... D26/28

D541,447 S \* 4/2007 Ueda et al. .... D26/28

D560,833 S \* 1/2008 Ueda et al. .... D26/28

D560,834 S \* 1/2008 Nagano ..... D26/28

\* cited by examiner

*Primary Examiner*—Marcus A Jackson

(57) **CLAIM**

The ornamental design for a bicycle LED light, as shown.

**DESCRIPTION**

FIG. 1 is a perspective view showing my design;

FIG. 2 is a front elevational view thereof;

FIG. 3 is a rear elevational view thereof;

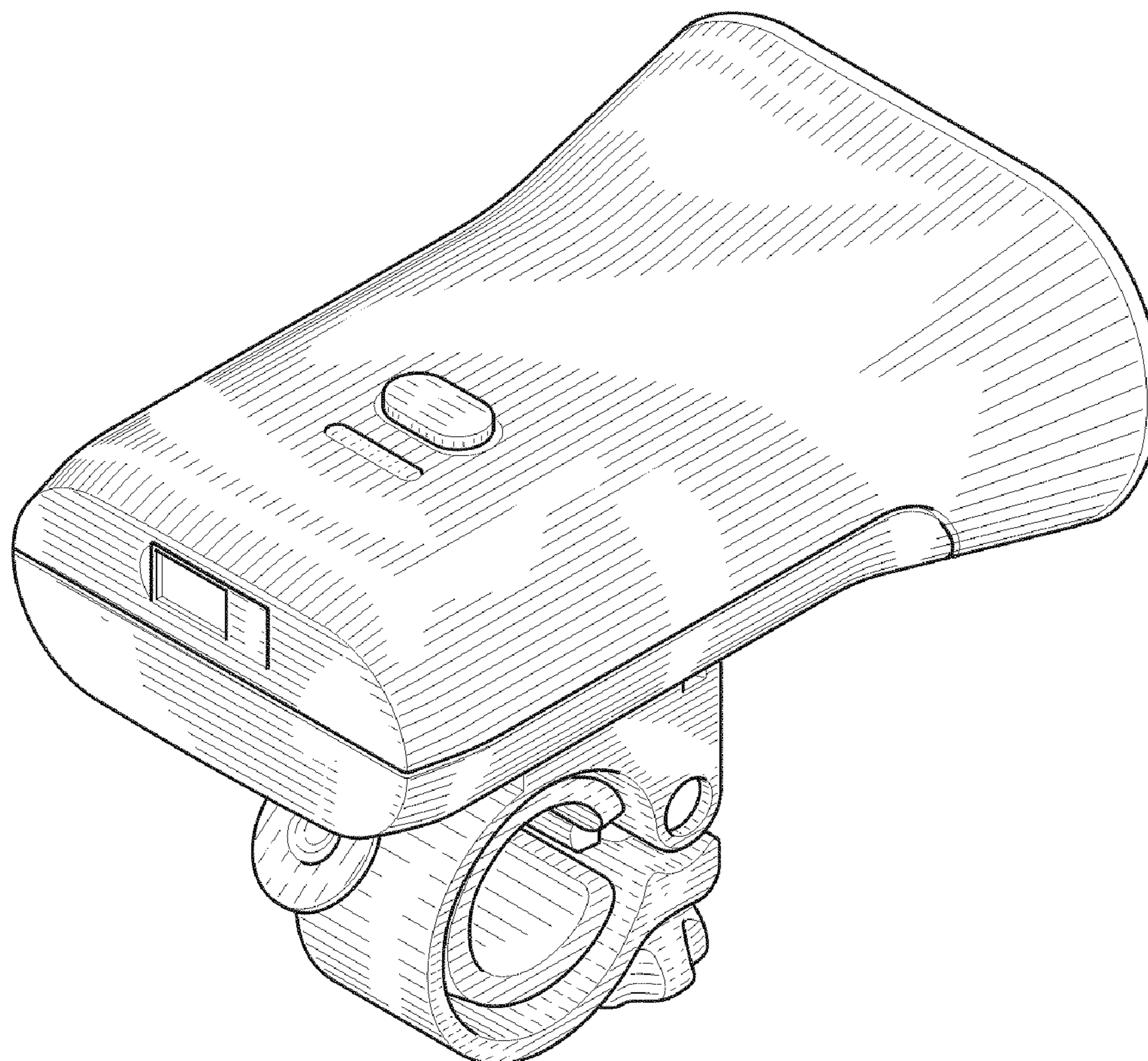
FIG. 4 is a right side elevational view thereof;

FIG. 5 is a left side elevational view thereof;

FIG. 6 is a top plan view thereof; and,

FIG. 7 is a bottom plan view thereof.

**1 Claim, 4 Drawing Sheets**



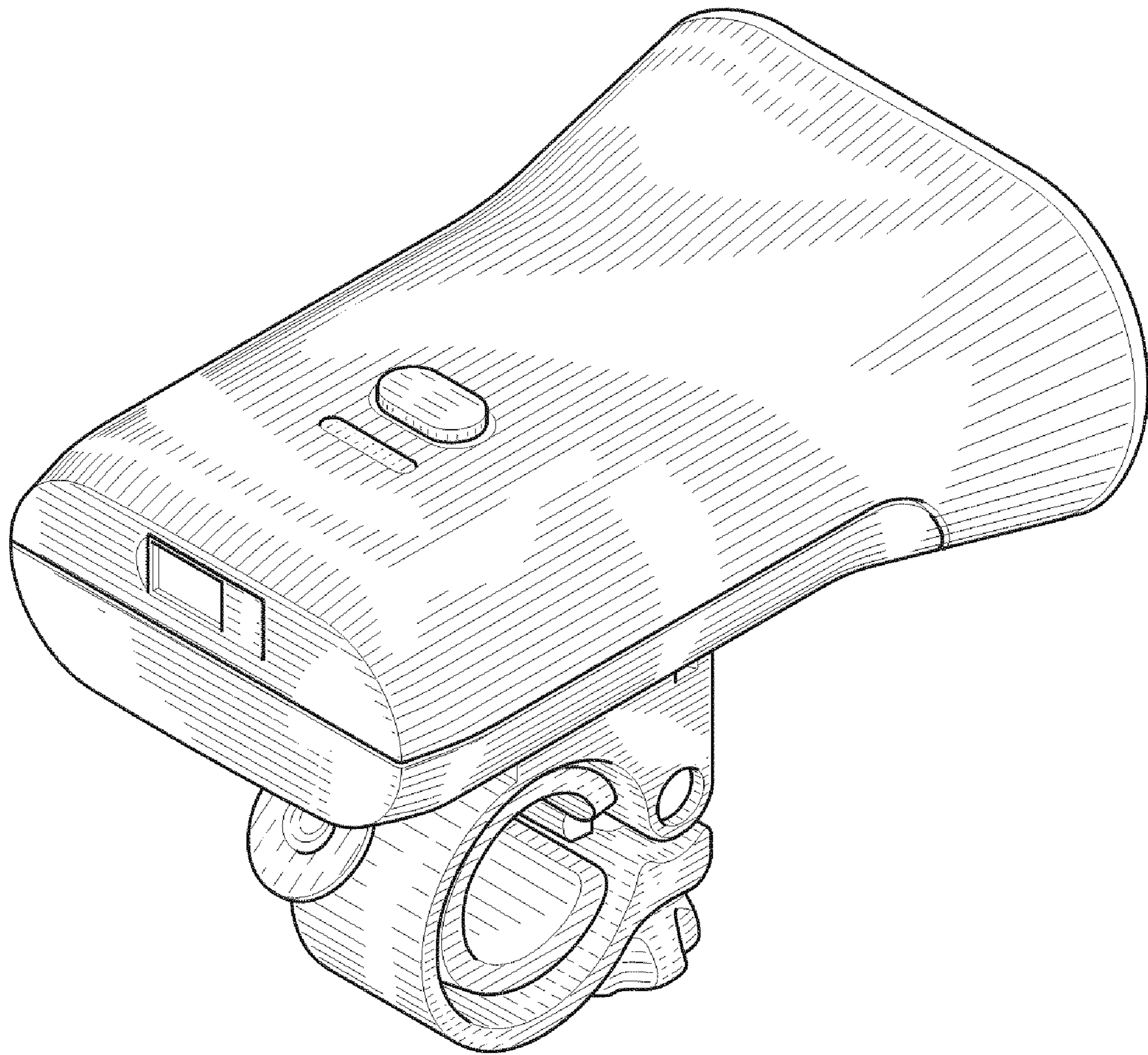


FIG. 1

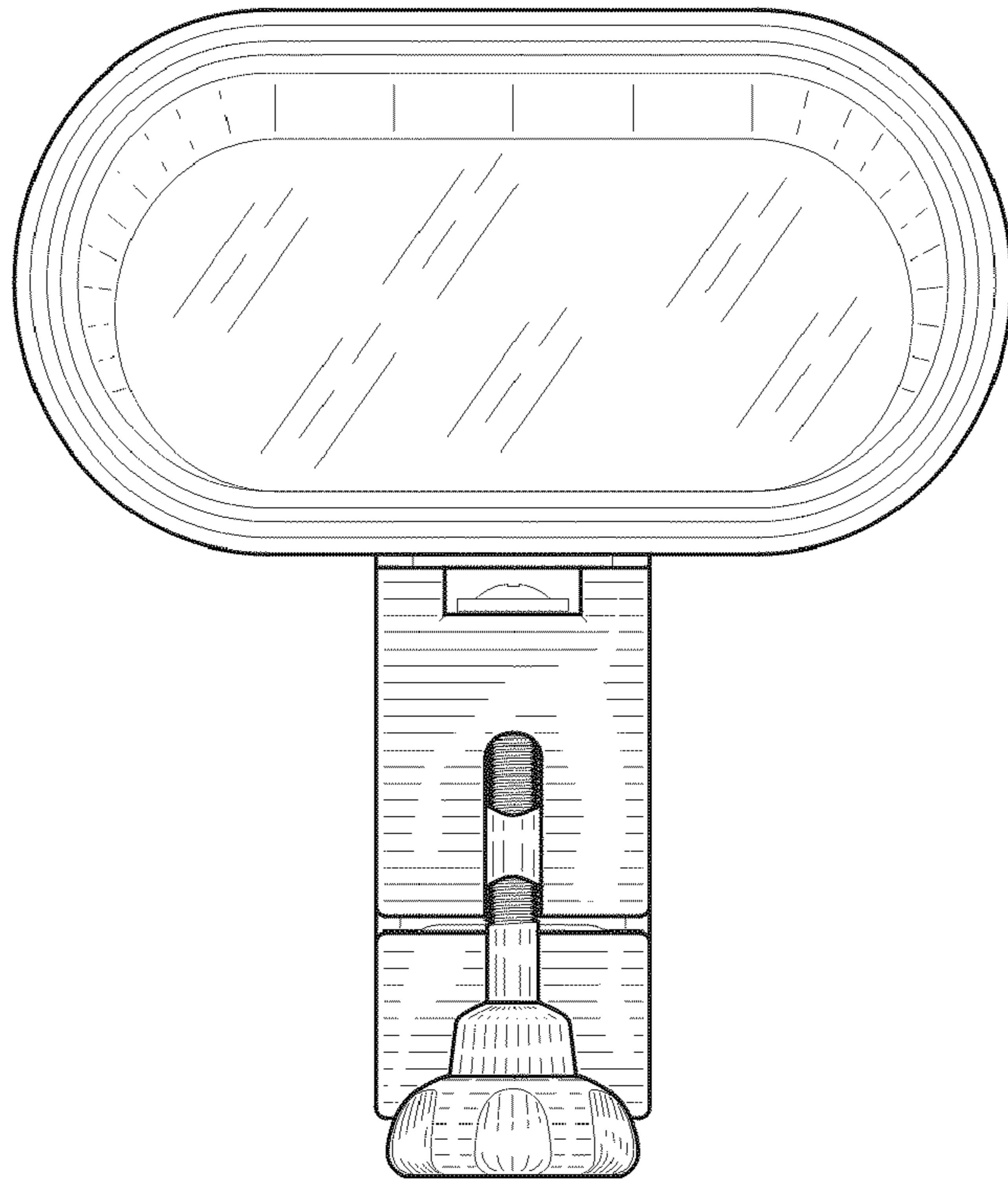


FIG. 2

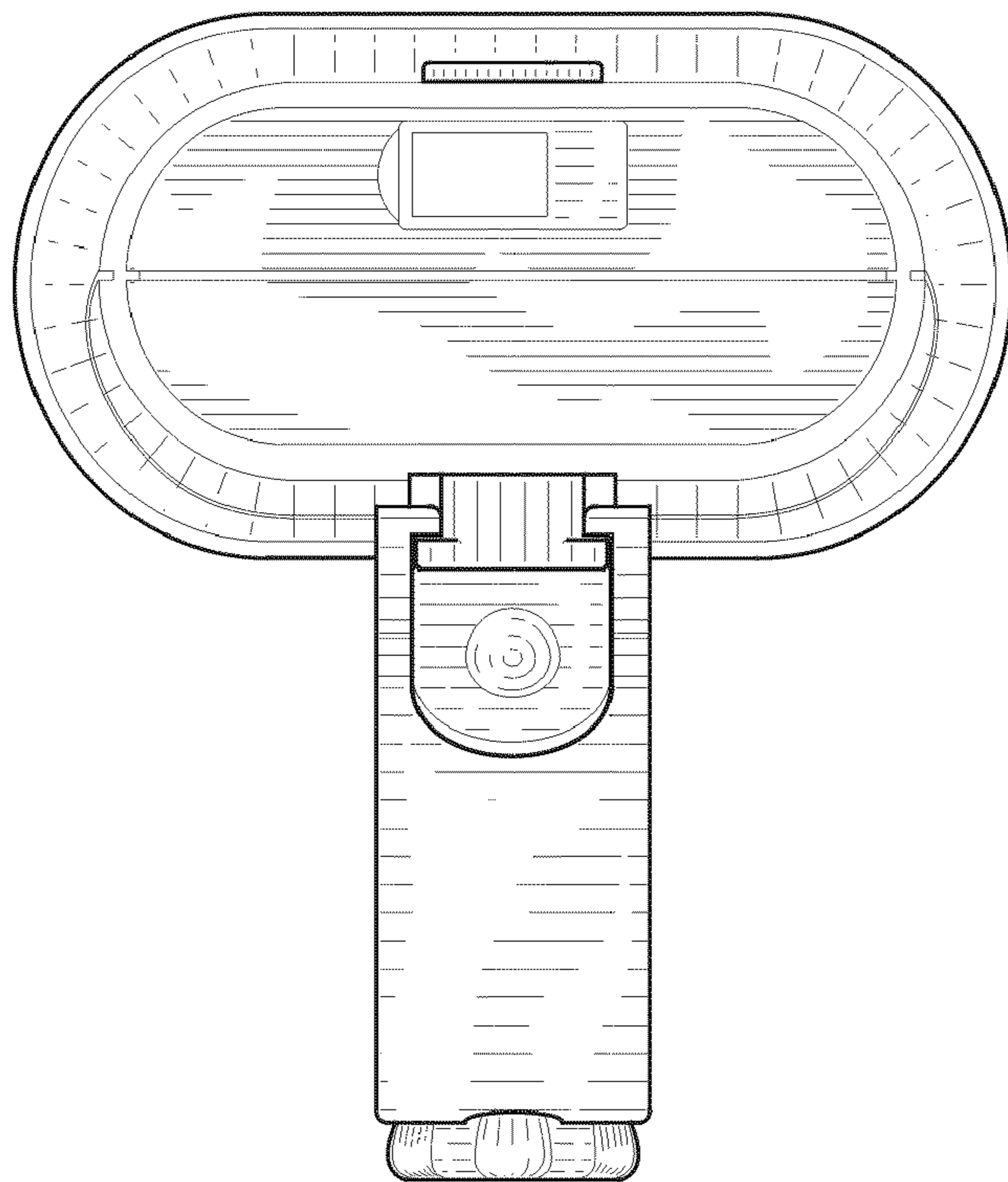


FIG. 3

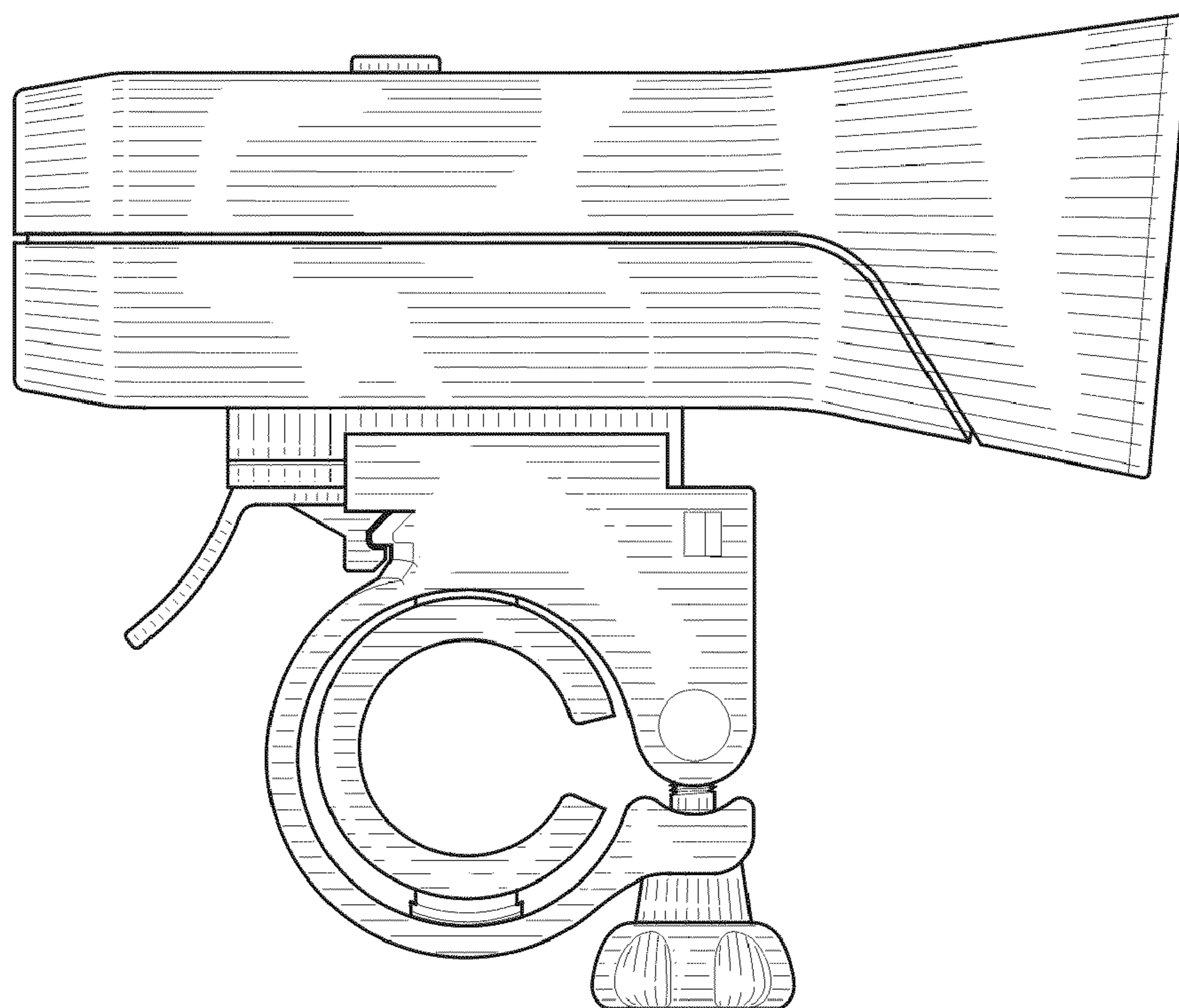


FIG. 4

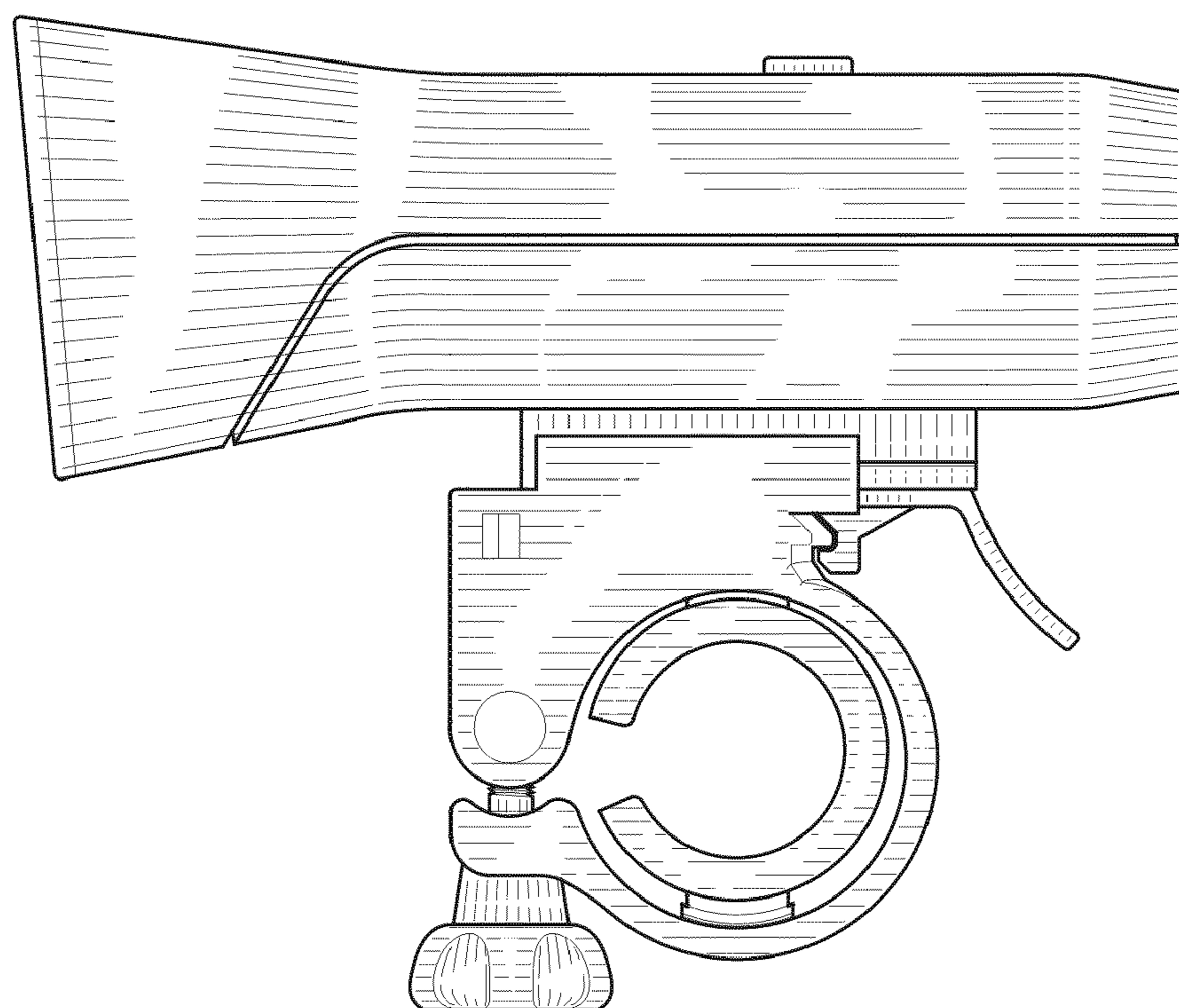


FIG. 5

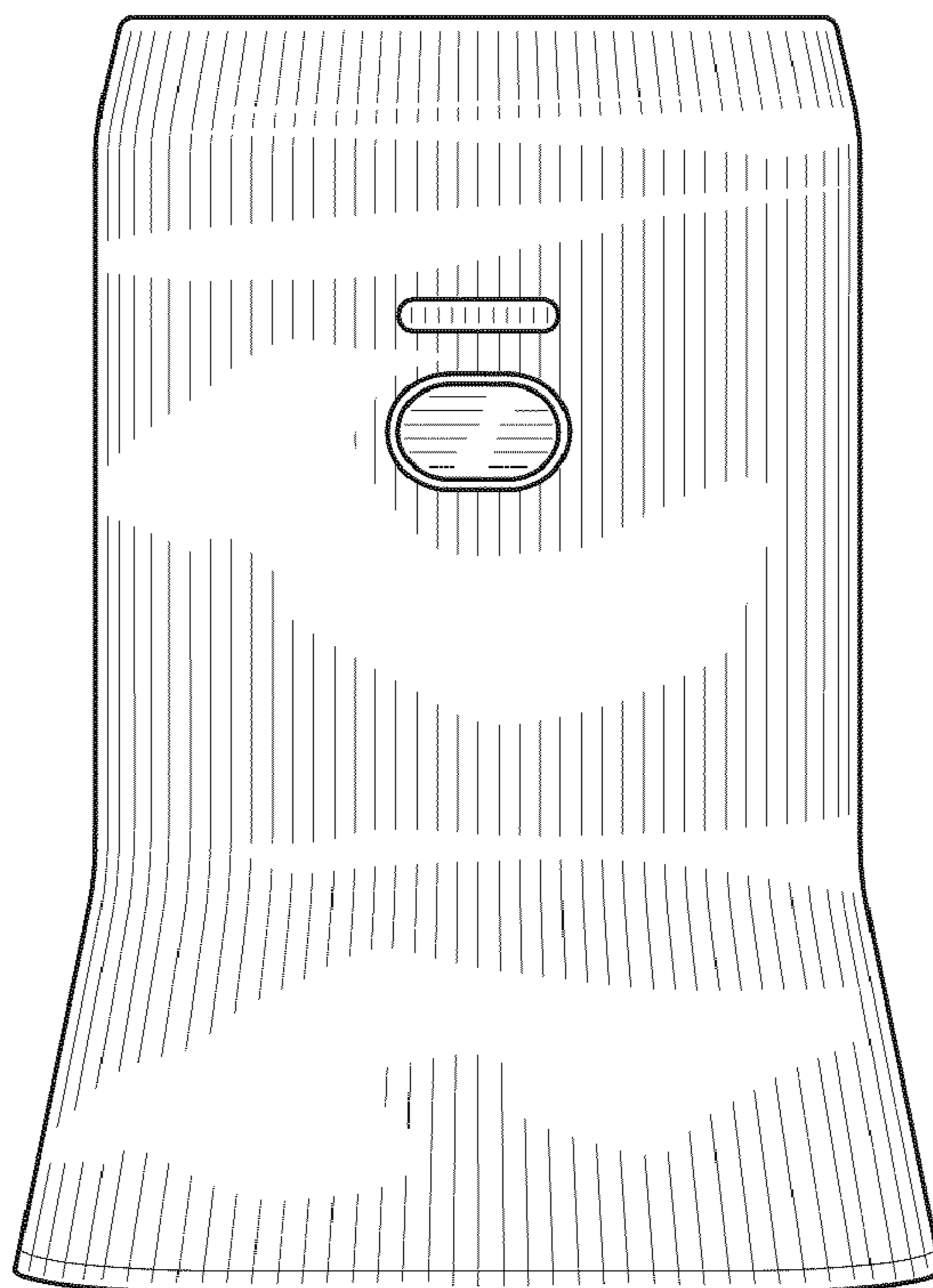


FIG. 6

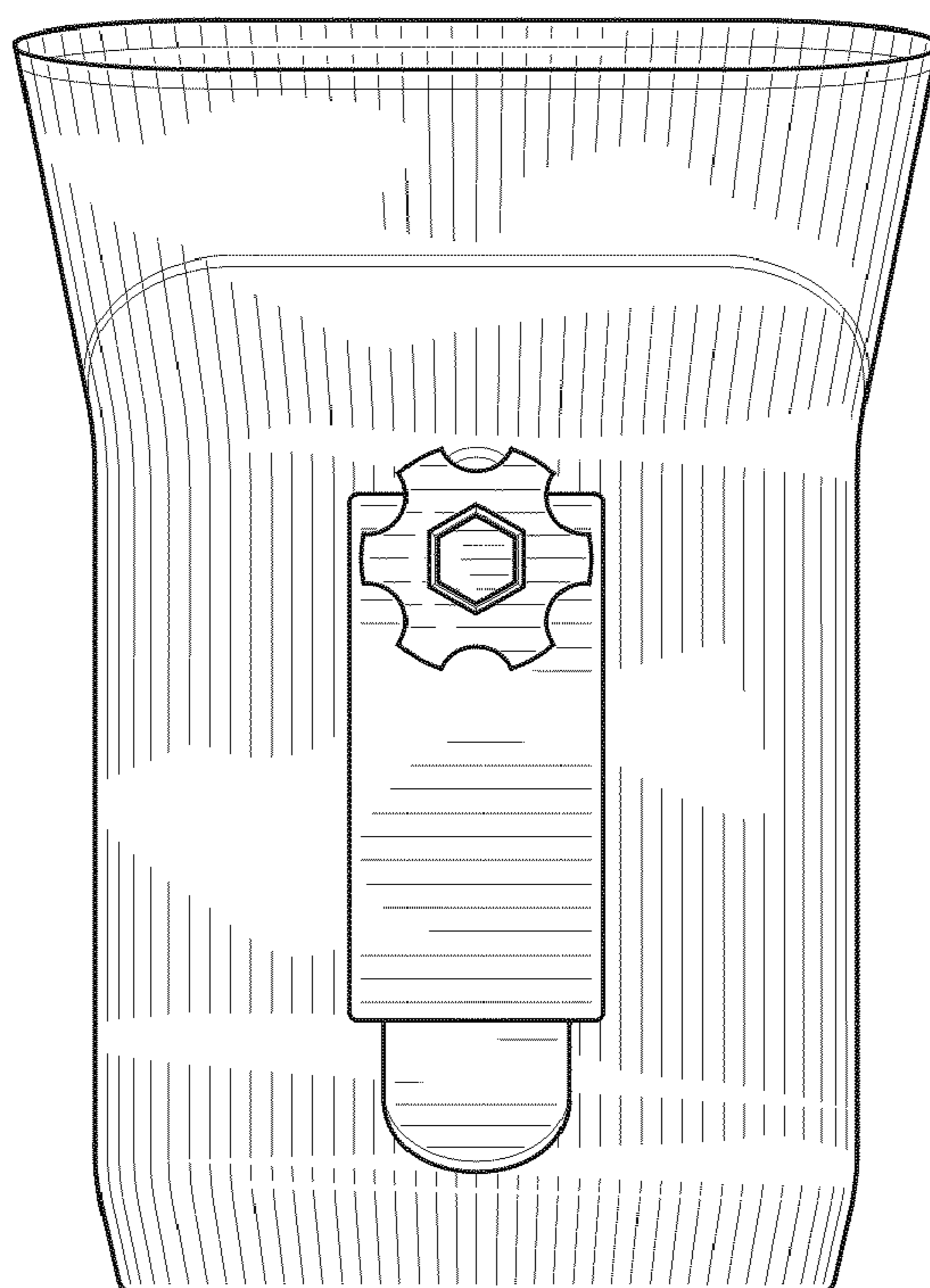


FIG. 7